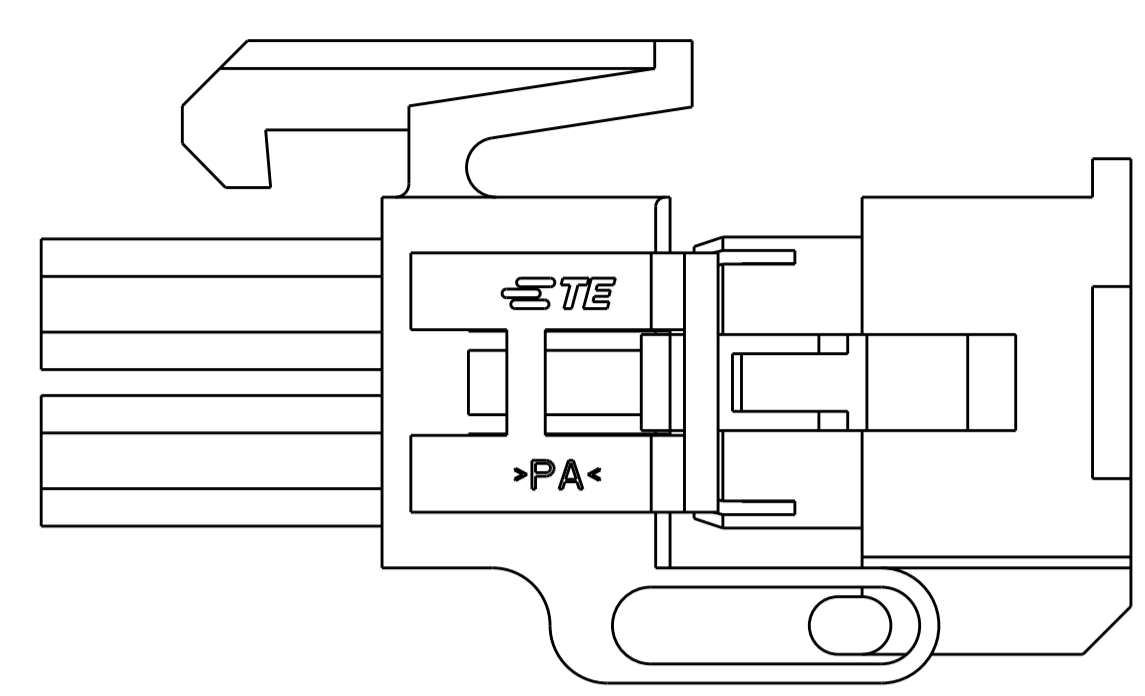
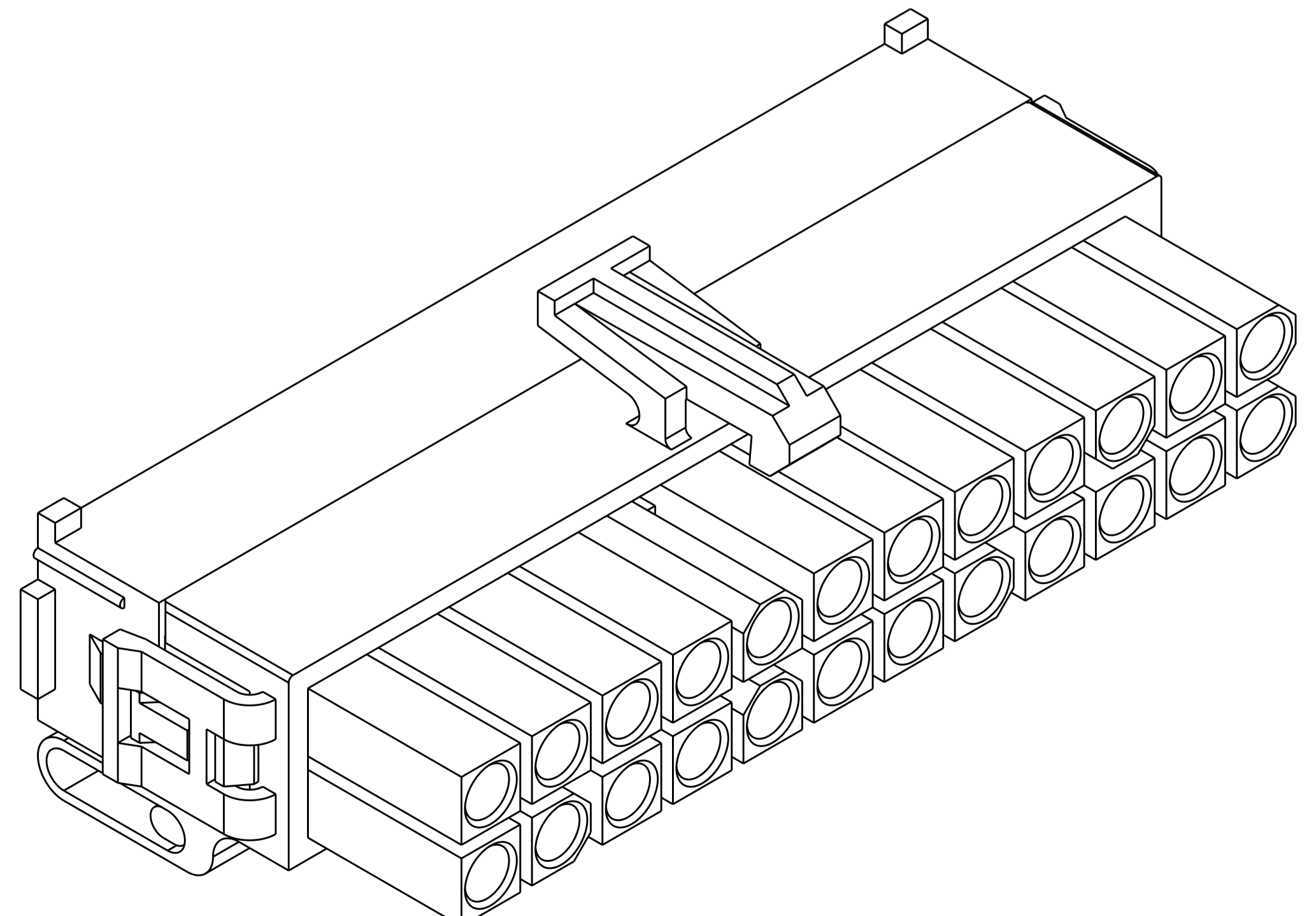
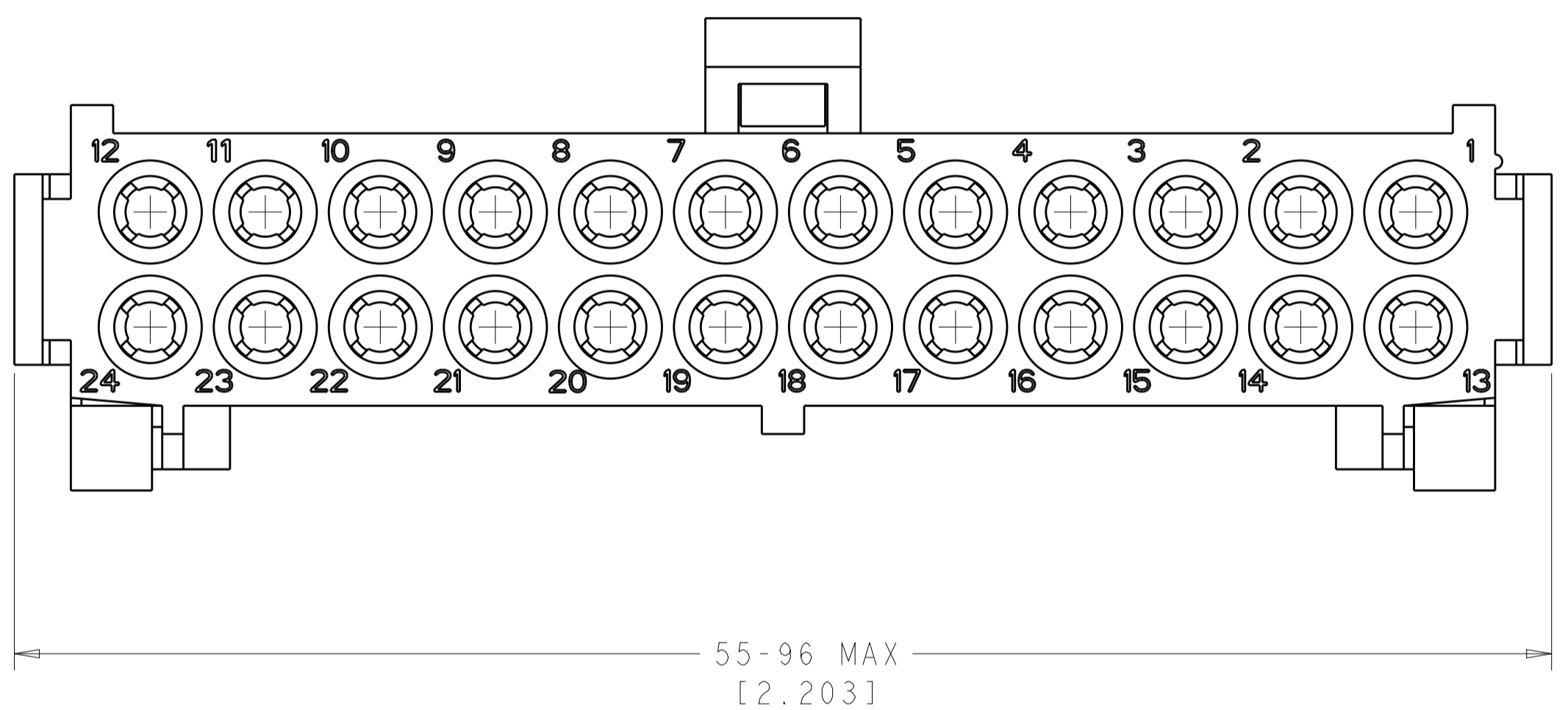
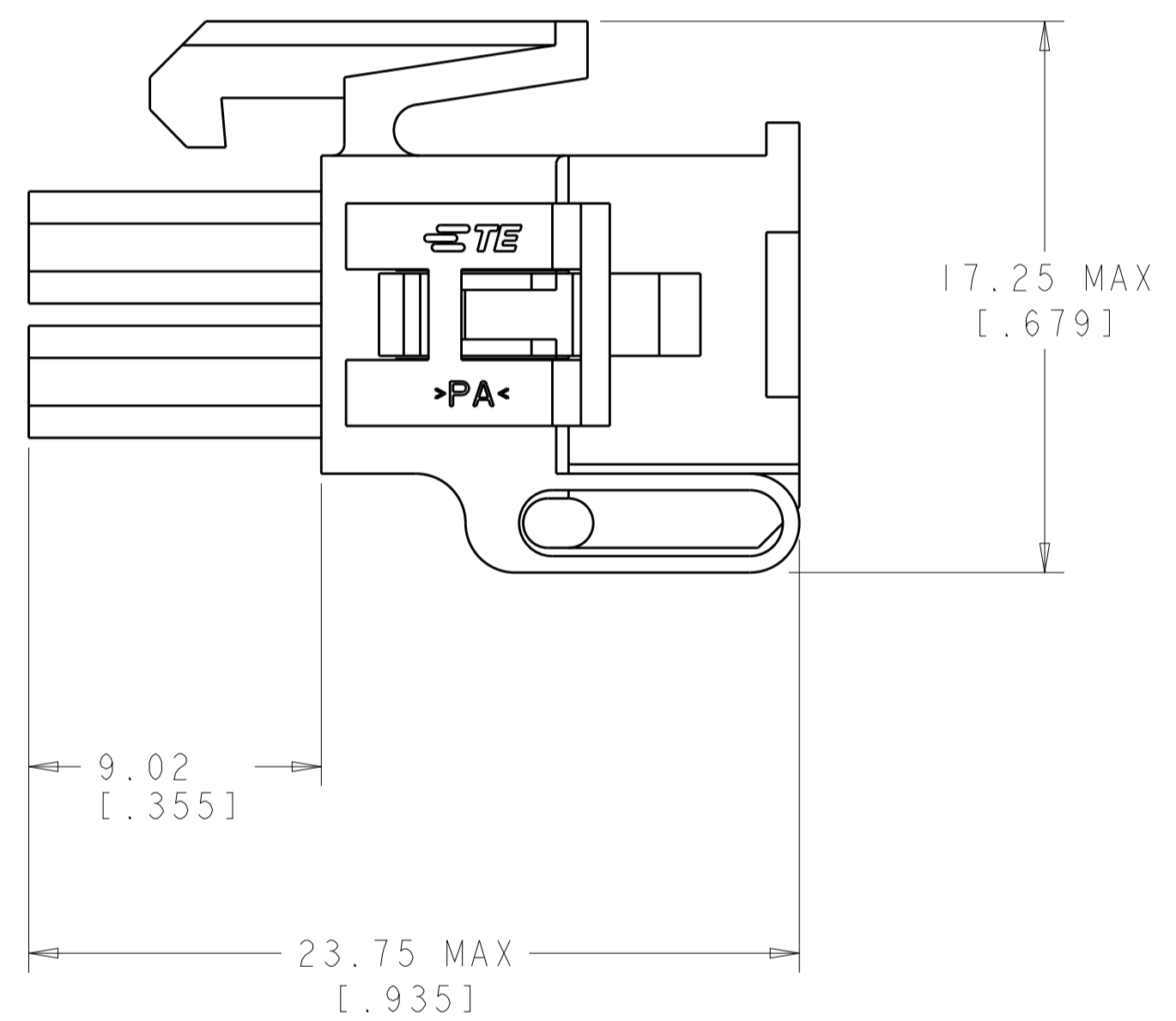
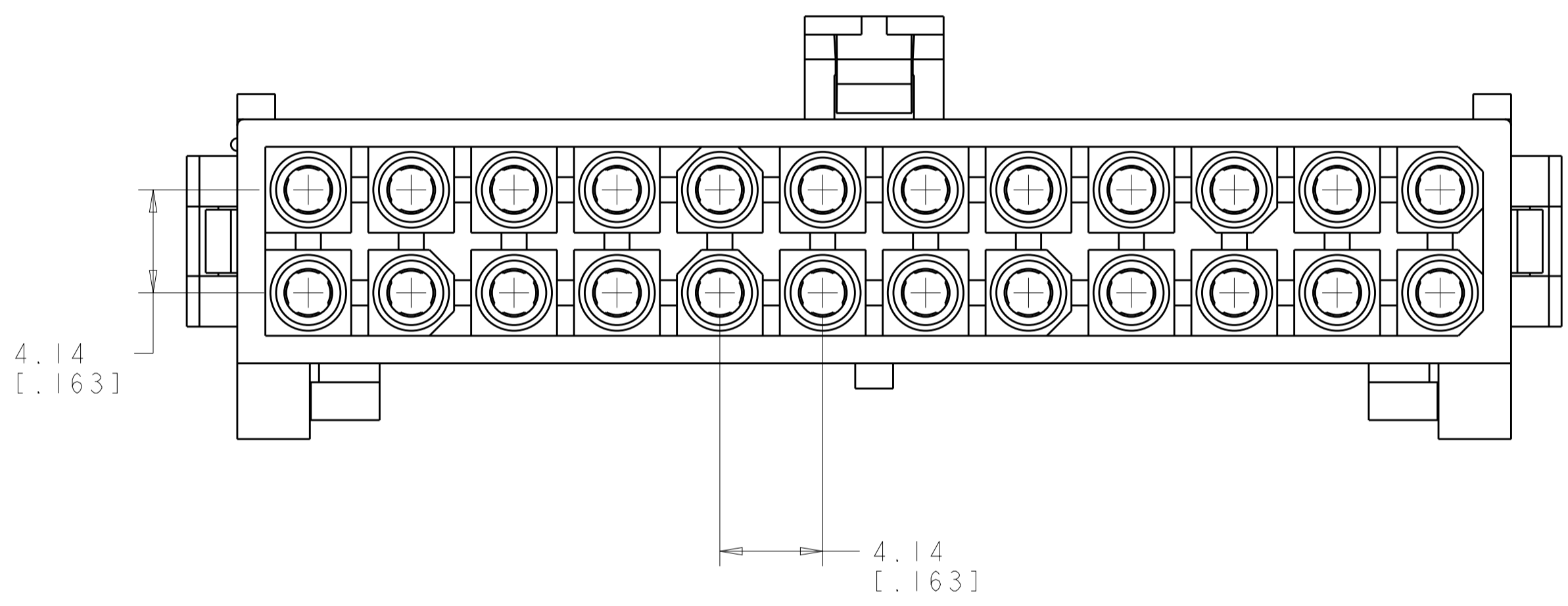


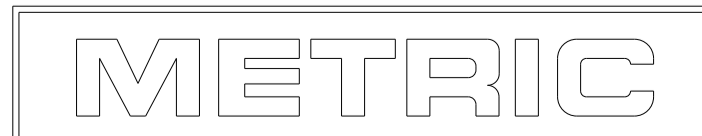
REVISIONS				
P.	LTM	DESCRIPTION	DATE	APVD
	C2	REVISED PER ECR-15-003326	09MAR15	SC KD



PRE-STAGED CONDITION



0.386 IN ³	794214-1
VOLUME	PART NUMBER



THIS DRAWING IS A CONTROLLED DOCUMENT.		DWN K. WHITAKER 01AUG2007	TE Connectivity
DIMENSIONS: mm [INCHES]		CHK C. JONES 01AUG2007	
TOLERANCES UNLESS OTHERWISE SPECIFIED:		APVD C. JONES 01AUG2007	NAME PLUG, DUAL ROW, 24 CIRCUIT, MINI UNIVERSAL MATE-N-LOK(TM) 2
0 PLC ±		PRODUCT SPEC	APPLICATION SPEC
1 PLC ±			
2 PLC ±0.13 (1.005)			
3 PLC ±			
4 PLC ±			
ANGLES ±	±0°30'	WEIGHT	RESTRICTED TO
MATERIAL NYLON, UL 94V-0, NATURAL		CUSTOMER DRAWING	SIZE A1
			CAGE CODE 00779
			DRAWING NO 794214
			SCALE 5:1
			SHEET 1
			OF 1
			REV C2