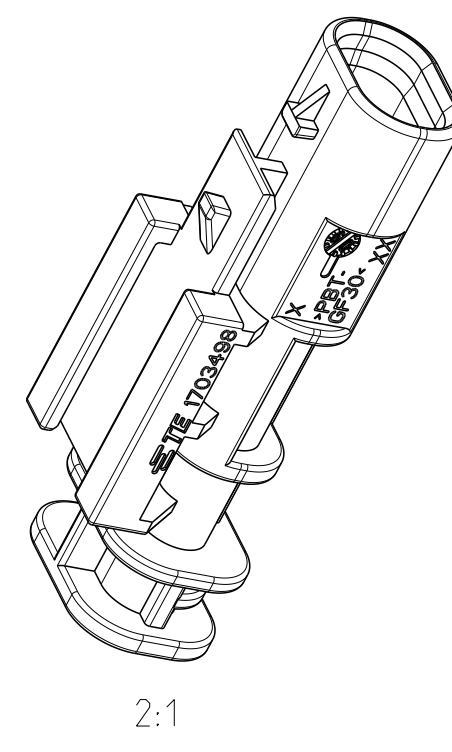
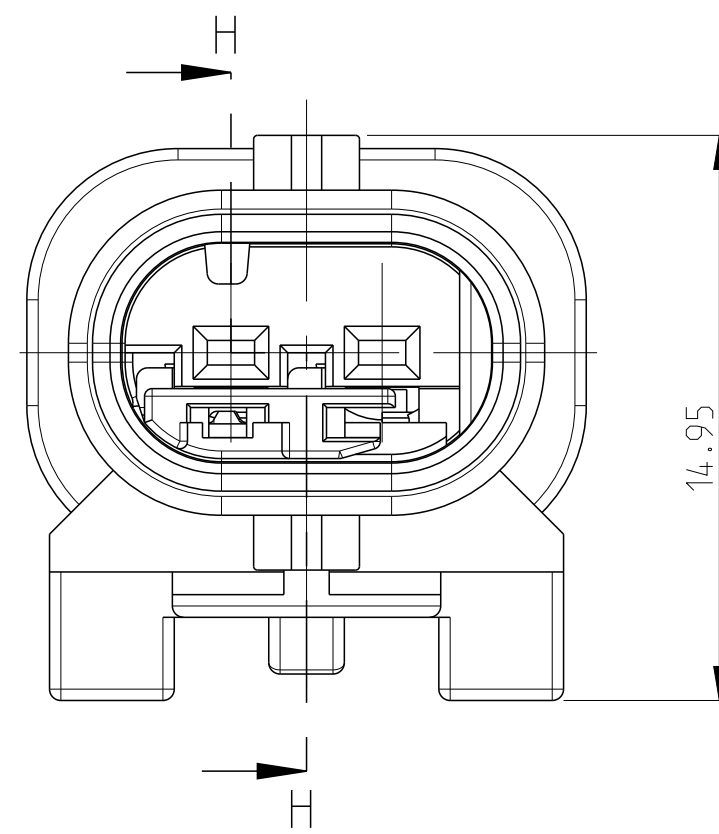
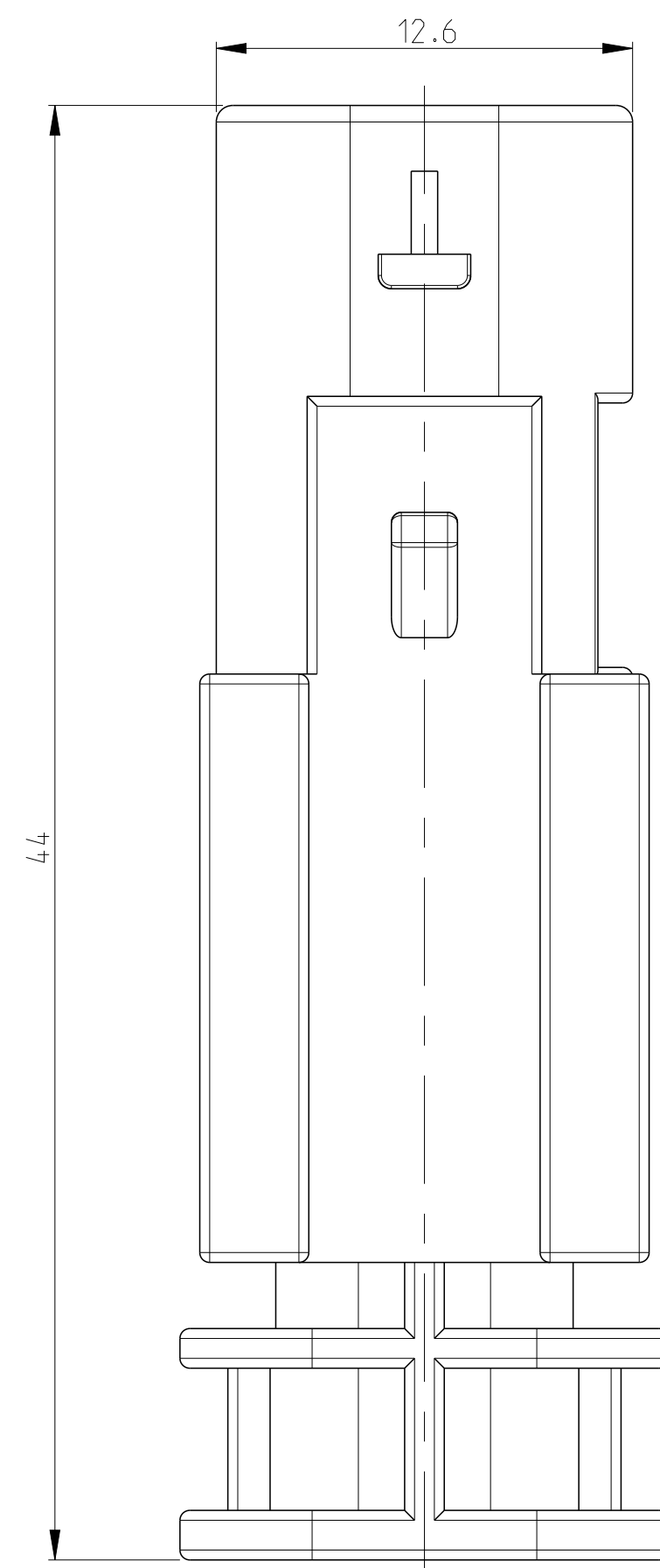
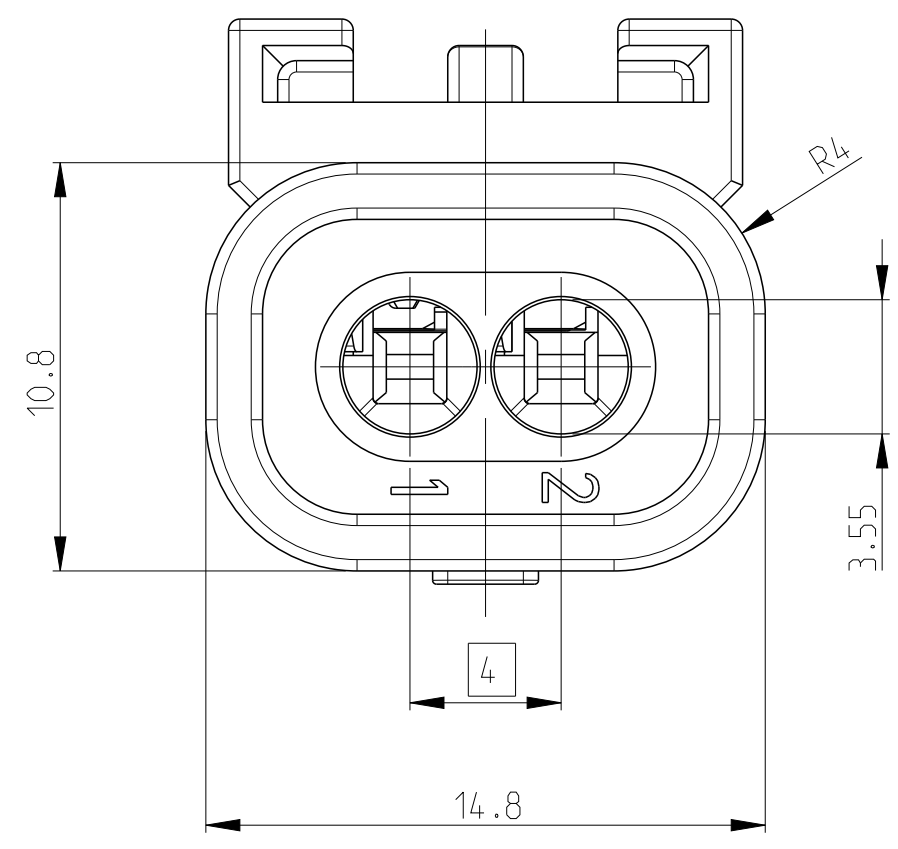


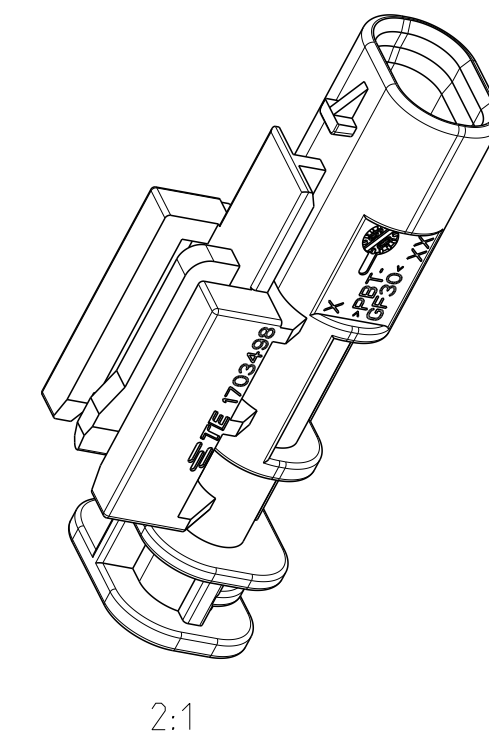
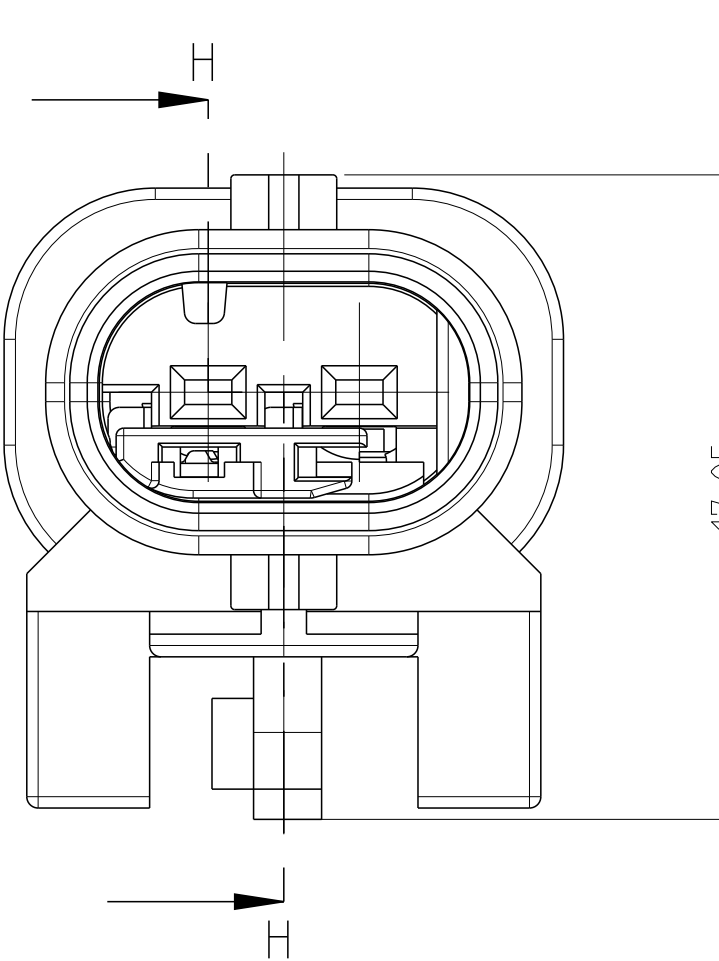
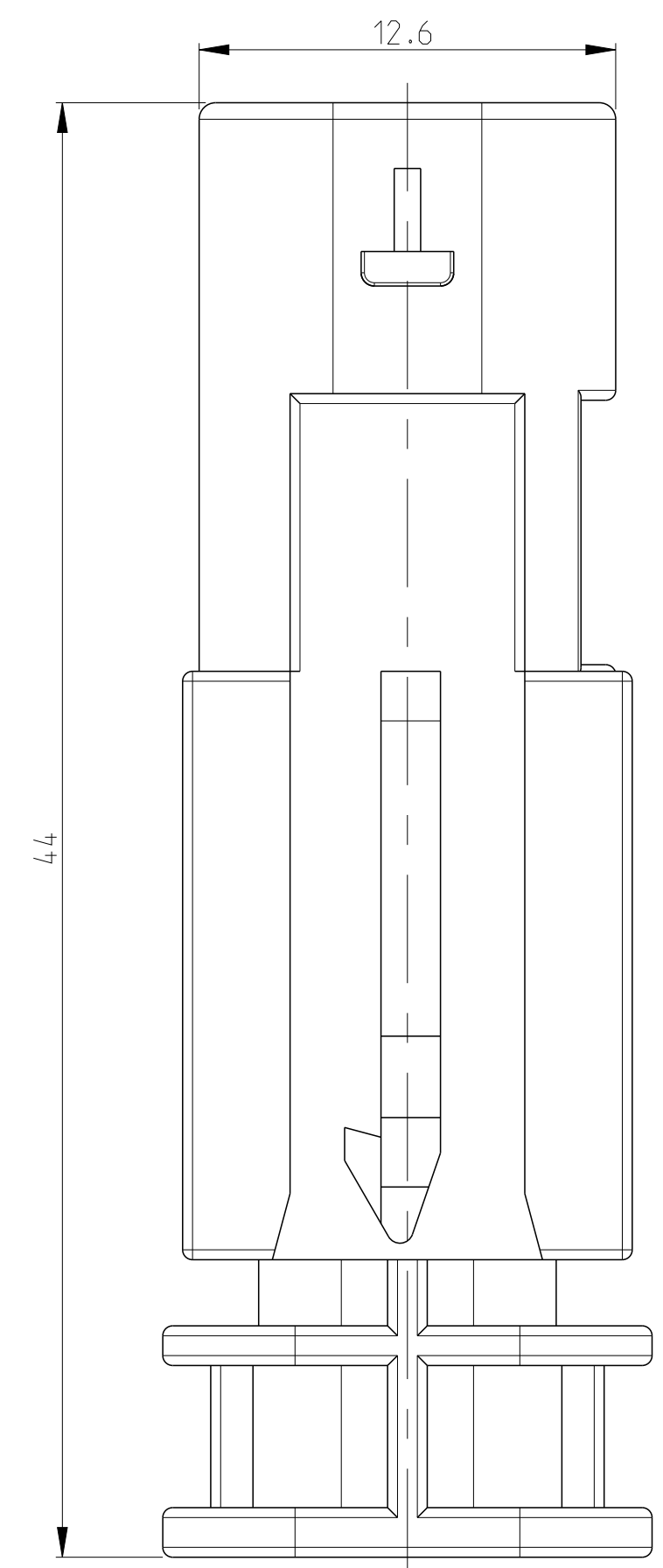
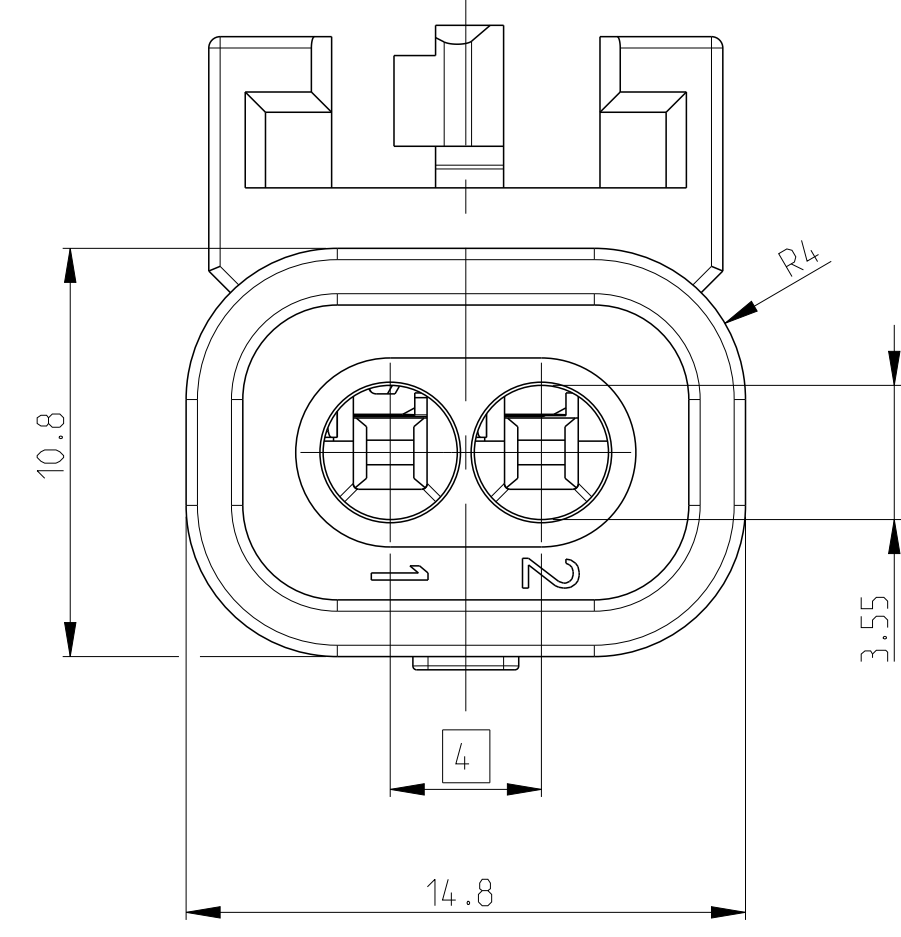
SHOWN 1-1703498-1



2:1

- CODINGS
2:1**
- A** 1-1703498-1
 - B** 2-1703498-1
 - C** 3-1703498-1
 - Z** 4-1703498-1

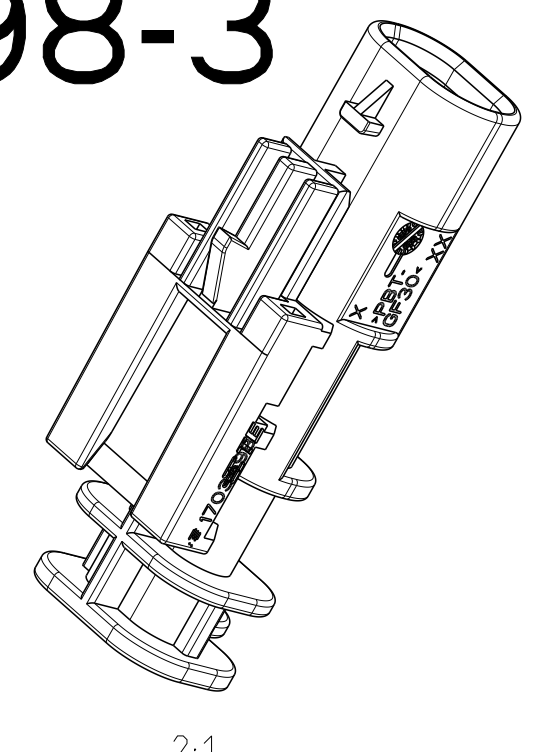
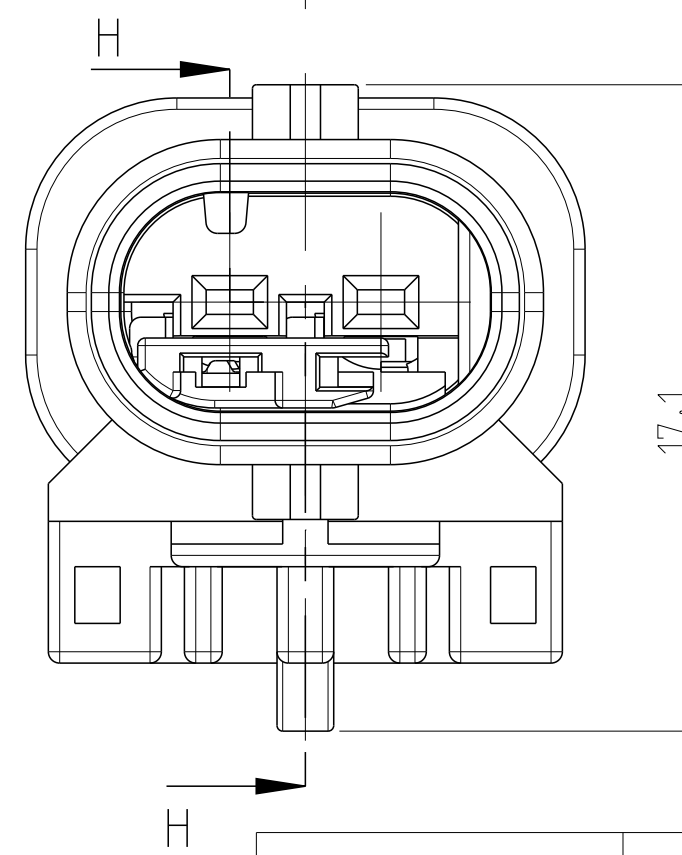
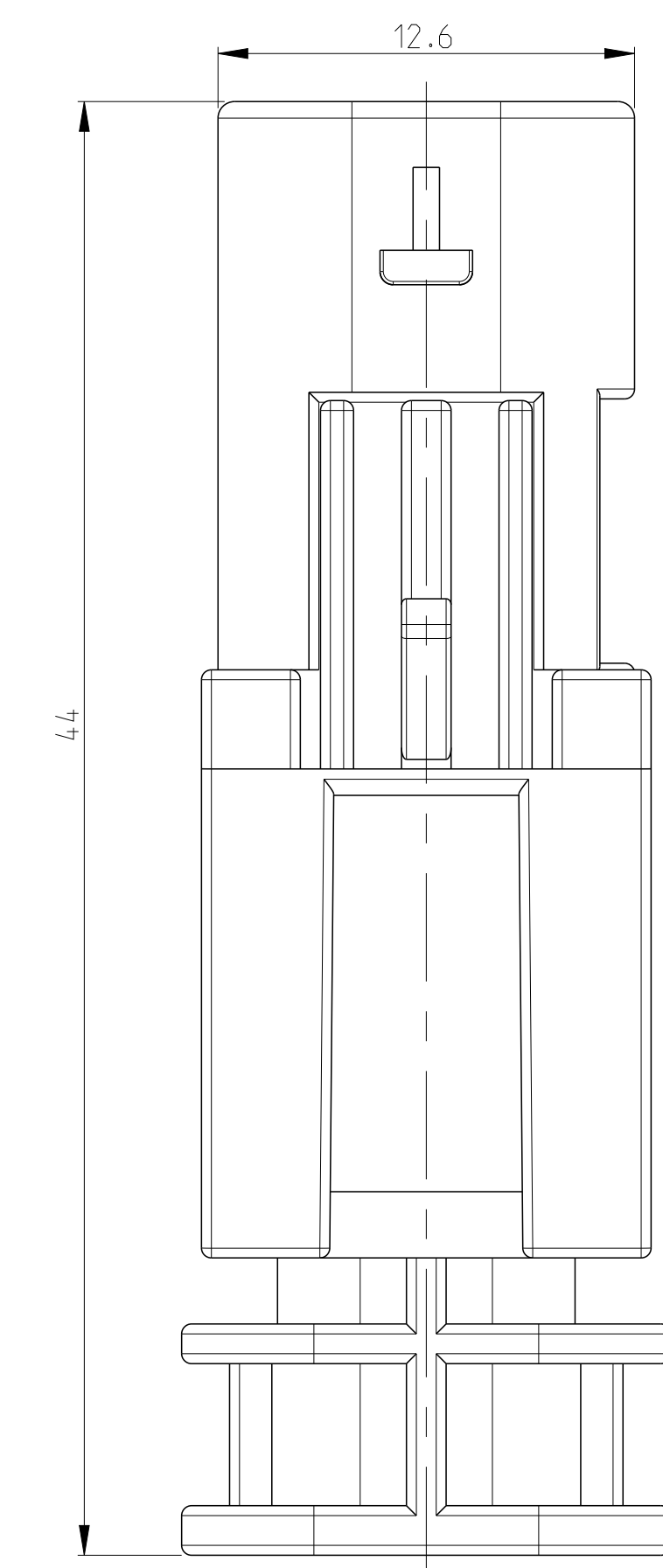
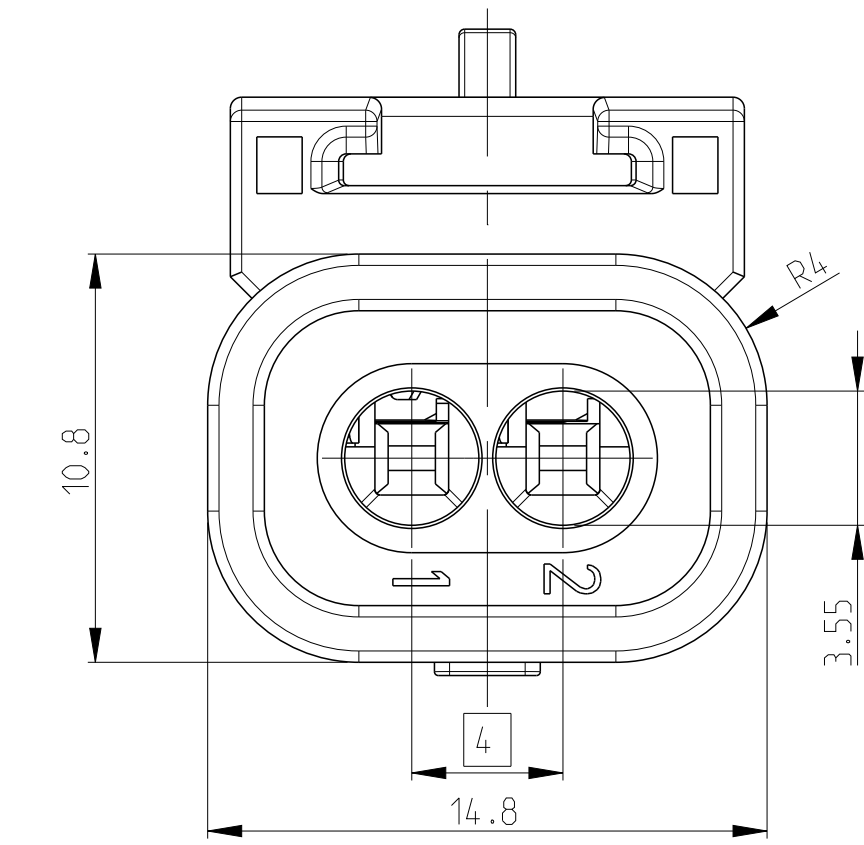
SHOWN 1-1703498-2



2:1

- CODINGS
2:1**
- A** 1-1703498-2
 - 1-1703498-5 (VW)**
 - B** 2-1703498-2
 - C** 3-1703498-2
 - Z** 4-1703498-2

SHOWN 1-1703498-3

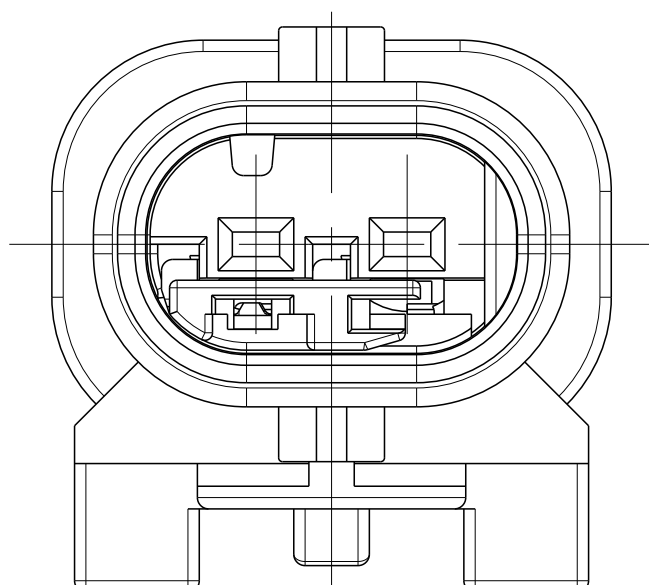


2:1

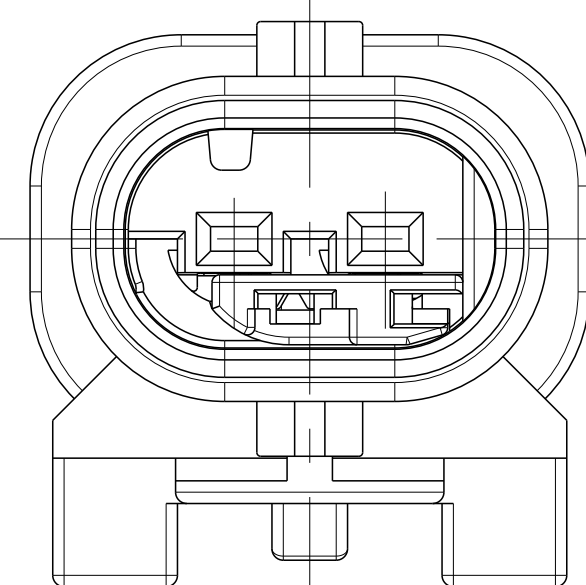
- CODINGS
2:1**
- A** 1-1703498-3 (BLACK)
 - 1-1703498-4 (YELLOW)**
 - B** 2-1703498-3 (BLACK)
 - 2-1703498-4 (YELLOW)**
 - C** 3-1703498-3
 - Z** 4-1703498-3

REV	DATE	BY	CHK	APPV
C2	09NOV2010	MT	HR	
C3	28APR11	SK	HR	
C4	25SEP2013	MT	HR	
C5	19MAR2015	MT	HR	

RETAINER IN PRE LOCKED POSITION
2. Kontaktsicherung in Vorraststellung



RETAINER IN FINAL LOCKED POSITION
2. Kontaktsicherung in Endraststellung



RETAINER MOVING DIRECTION
2. Kontaktsicherung Verschiebeweg

TE-PN TERMINALS	WIRE RANGE	TE-PN SINGLE WIRE SEAL	TE-PN BLIND PLUG
214868	0.08 - 0.22mm ²	967067-2	967056-1
1718758	0.25 - 0.35mm ²	967067-2	
1718760	0.5 - 0.75mm ²	967067-1	
1718762	1mm ²	967067-1	

TERMINAL TE-APPLICATION SPEC.: 114-18464

TE SUITABLE FEMALE HSG. PASSENDE BUCHSENGEH.	ASSY REV.	TE Bestell-Nr. ORDER-NO.	CODE	Benennung TITLE	QTY	Benennung Einzelteil TITLE	Werkstoff MATERIAL	Oberflaeche/Farbe SURFACE/CLOUR	Pos. ITEM
		2-1703498-4	B	Stiftgehaeuse 2pol. MALE HOUSING 2POS.	1	Kontaktsicherung RETAINER	PA66-GF35	violett/VIOLET	2
		1-1703498-4	A	Stiftgehaeuse 2pol. MALE HOUSING 2POS.	1	Stiftgehaeuse 2pol. MALE HOUSING 2POS.	PBT-GF30	gelb/YELLOW	1b
		1-1703498-4	A	Stiftgehaeuse 2pol. MALE HOUSING 2POS.	1	Kontaktsicherung RETAINER	PA66-GF35	violett/VIOLET	2
		1-1703498-4	A	Stiftgehaeuse 2pol. MALE HOUSING 2POS.	1	Stiftgehaeuse 2pol. MALE HOUSING 2POS.	PBT-GF30	gelb/YELLOW	1a
		4-1703498-3	Z	Stiftgehaeuse 2pol. MALE HOUSING 2POS.	1	Kontaktsicherung RETAINER	PA66-GF35	violett/VIOLET	2
		4-1703498-3	Z	Stiftgehaeuse 2pol. MALE HOUSING 2POS.	1	Kontaktsicherung RETAINER	PBT-GF30	schwarz/BLACK	1z
		3-1703498-3	C	Stiftgehaeuse 2pol. MALE HOUSING 2POS.	1	Kontaktsicherung RETAINER	PA66-GF35	violett/VIOLET	2
		3-1703498-3	C	Stiftgehaeuse 2pol. MALE HOUSING 2POS.	1	Stiftgehaeuse 2pol. MALE HOUSING 2POS.	PBT-GF30	schwarz/BLACK	1c
		2-1703498-3	B	Stiftgehaeuse 2pol. MALE HOUSING 2POS.	1	Kontaktsicherung RETAINER	PA66-GF35	violett/VIOLET	2
		2-1703498-3	B	Stiftgehaeuse 2pol. MALE HOUSING 2POS.	1	Stiftgehaeuse 2pol. MALE HOUSING 2POS.	PBT-GF30	grau/GREY	1b
		1-1703498-3	A	Stiftgehaeuse 2pol. MALE HOUSING 2POS.	1	Kontaktsicherung RETAINER	PA66-GF35	violett/VIOLET	2
		1-1703498-3	A	Stiftgehaeuse 2pol. MALE HOUSING 2POS.	1	Stiftgehaeuse 2pol. MALE HOUSING 2POS.	PBT-GF30	schwarz/BLACK	1a
		1-1703498-5	A	Stiftgehaeuse 2pol. MALE HOUSING 2POS.	1	Kontaktsicherung RETAINER	PA66-GF35	violett/VIOLET	2
		1-1703498-5	A	Stiftgehaeuse 2pol. MALE HOUSING 2POS.	1	Stiftgehaeuse 2pol. MALE HOUSING 2POS.	PBT-GF30	schwarz/BLACK	1a
		4-1703498-2	Z	Stiftgehaeuse 2pol. MALE HOUSING 2POS.	1	Kontaktsicherung RETAINER	PA66-GF35	violett/VIOLET	2
		4-1703498-2	Z	Stiftgehaeuse 2pol. MALE HOUSING 2POS.	1	Stiftgehaeuse 2pol. MALE HOUSING 2POS.	PBT-GF30	schwarz/BLACK	1z
		3-1703498-2	C	Stiftgehaeuse 2pol. MALE HOUSING 2POS.	1	Kontaktsicherung RETAINER	PA66-GF35	violett/VIOLET	2
		3-1703498-2	C	Stiftgehaeuse 2pol. MALE HOUSING 2POS.	1	Stiftgehaeuse 2pol. MALE HOUSING 2POS.	PBT-GF30	schwarz/BLACK	1c
		2-1703498-2	B	Stiftgehaeuse 2pol. MALE HOUSING 2POS.	1	Kontaktsicherung RETAINER	PA66-GF35	violett/VIOLET	2
		2-1703498-2	B	Stiftgehaeuse 2pol. MALE HOUSING 2POS.	1	Stiftgehaeuse 2pol. MALE HOUSING 2POS.	PBT-GF30	grau/GREY	1b
		1-1703498-2	A	Stiftgehaeuse 2pol. MALE HOUSING 2POS.	1	Kontaktsicherung RETAINER	PA66-GF35	violett/VIOLET	2
		1-1703498-2	A	Stiftgehaeuse 2pol. MALE HOUSING 2POS.	1	Stiftgehaeuse 2pol. MALE HOUSING 2POS.	PBT-GF30	schwarz/BLACK	1a
		4-1703498-1	Z	Stiftgehaeuse 2pol. MALE HOUSING 2POS.	1	Kontaktsicherung RETAINER	PA66-GF35	violett/VIOLET	2
		4-1703498-1	Z	Stiftgehaeuse 2pol. MALE HOUSING 2POS.	1	Stiftgehaeuse 2pol. MALE HOUSING 2POS.	PBT-GF30	schwarz/BLACK	1z
		3-1703498-1	C	Stiftgehaeuse 2pol. MALE HOUSING 2POS.	1	Kontaktsicherung RETAINER	PA66-GF35	violett/VIOLET	2
		3-1703498-1	C	Stiftgehaeuse 2pol. MALE HOUSING 2POS.	1	Stiftgehaeuse 2pol. MALE HOUSING 2POS.	PBT-GF30	schwarz/BLACK	1c
		2-1703498-1	B	Stiftgehaeuse 2pol. MALE HOUSING 2POS.	1	Kontaktsicherung RETAINER	PA66-GF35	violett/VIOLET	2
		2-1703498-1	B	Stiftgehaeuse 2pol. MALE HOUSING 2POS.	1	Stiftgehaeuse 2pol. MALE HOUSING 2POS.	PBT-GF30	grau/GREY	1b
		1-1703498-1	A	Stiftgehaeuse 2pol. MALE HOUSING 2POS.	1	Kontaktsicherung RETAINER	PA66-GF35	violett/VIOLET	2
		1-1703498-1	A	Stiftgehaeuse 2pol. MALE HOUSING 2POS.	1	Stiftgehaeuse 2pol. MALE HOUSING 2POS.	PBT-GF30	schwarz/BLACK	1a

REGRIND MAX. 25%

DATE: 19JUN2007	BY: A LOECSER	DATE: 19JUN2007	BY: H. RIBBER
DIMENSIONS: DIMENSIONS IN MILLIMETERS / DIMENSIONS IN INCHES		SCALE: 1:1	
MATERIAL: PBT-GF30		FINISH: 114-18910-1	
WEIGHT: 4.48g		CUSTOMER DRAWING	
PRODUCT SPEC: 114-18910-1		APPLICATION SPEC: 114-18910-1	
PART NUMBER: 1-1703498-3		NAME: MALE HOUSING, 2POS., MCON 1.2mm LL SEALED ASSY	
SIZE: 4.48g		RESTRICTION: A0	
DRAWING NO: 00779		SCALE: 5:1	
SHEET: 1		REV: C	