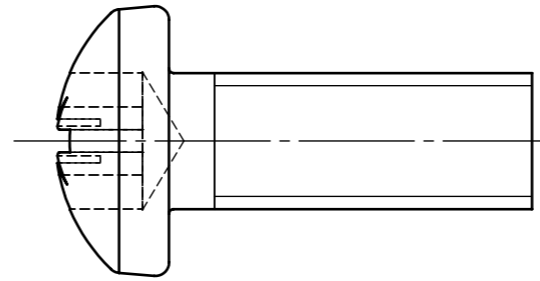
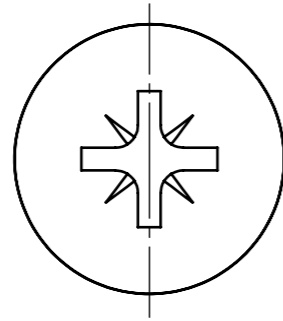


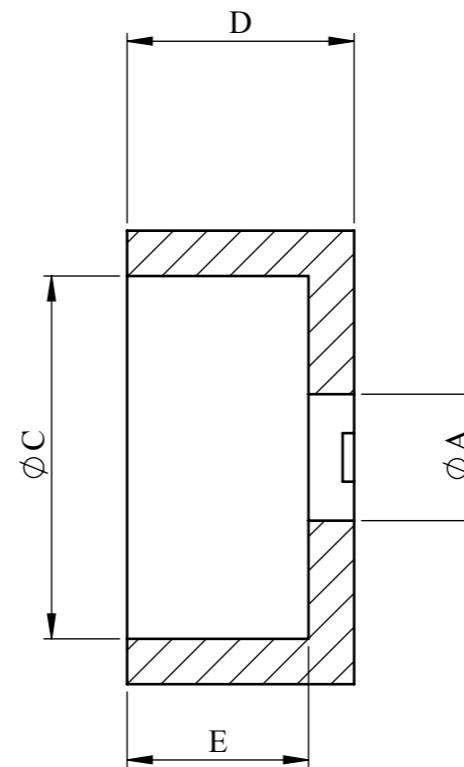
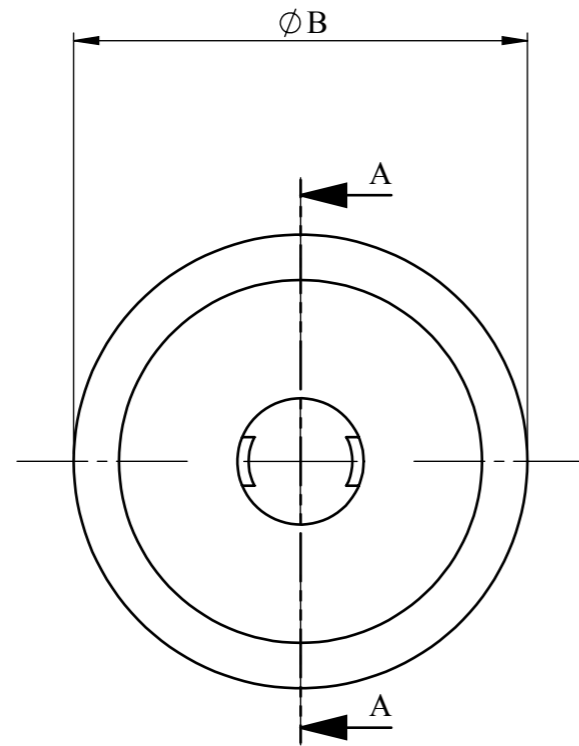
DEBUR AND BREAK SHARP EDGES

DO NOT SCALE DRAWING

REVISION



M6 x 16 M/C SCREW TO DIN 7985



RETAINING CUP WASHER				
A	B	C	D	E
M6	15.00	12.00	4.00	2.70

NOTES

SCREW - STEEL 4,8, ZINC & CLEAR  
RETAINING CUP WASHER - PA6 BLACK



DESIGN RIGHT. TR FASTENINGS LTD, 2003  
UNDER NO CIRCUMSTANCES MUST THIS  
DRAWING BE COPIED OR DISCLOSED,  
WITHOUT FIRST OBTAINING WRITTEN  
AUTHORITY.

UNLESS OTHERWISE SPECIFIED:  
DIMENSIONS ARE IN MILLIMETERS  
SURFACE FINISH:  
TOLERANCES:

ISO 2768 m	
NAME	DATE
DRAWN MARTIN ELLIOTT	01/07/15
CHK'D	
APP'VD	

CUSTOMER PART No

MATERIAL:

SEE NOTES

HEAT TREATMENT

SEE NOTES

FINISH:

SEE NOTES

TITLE:

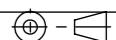
FIXING KIT, PANEL, M6

DWG NO.

TRFAKIT0001

A3

PROJECTION



SHEET 1 OF 1