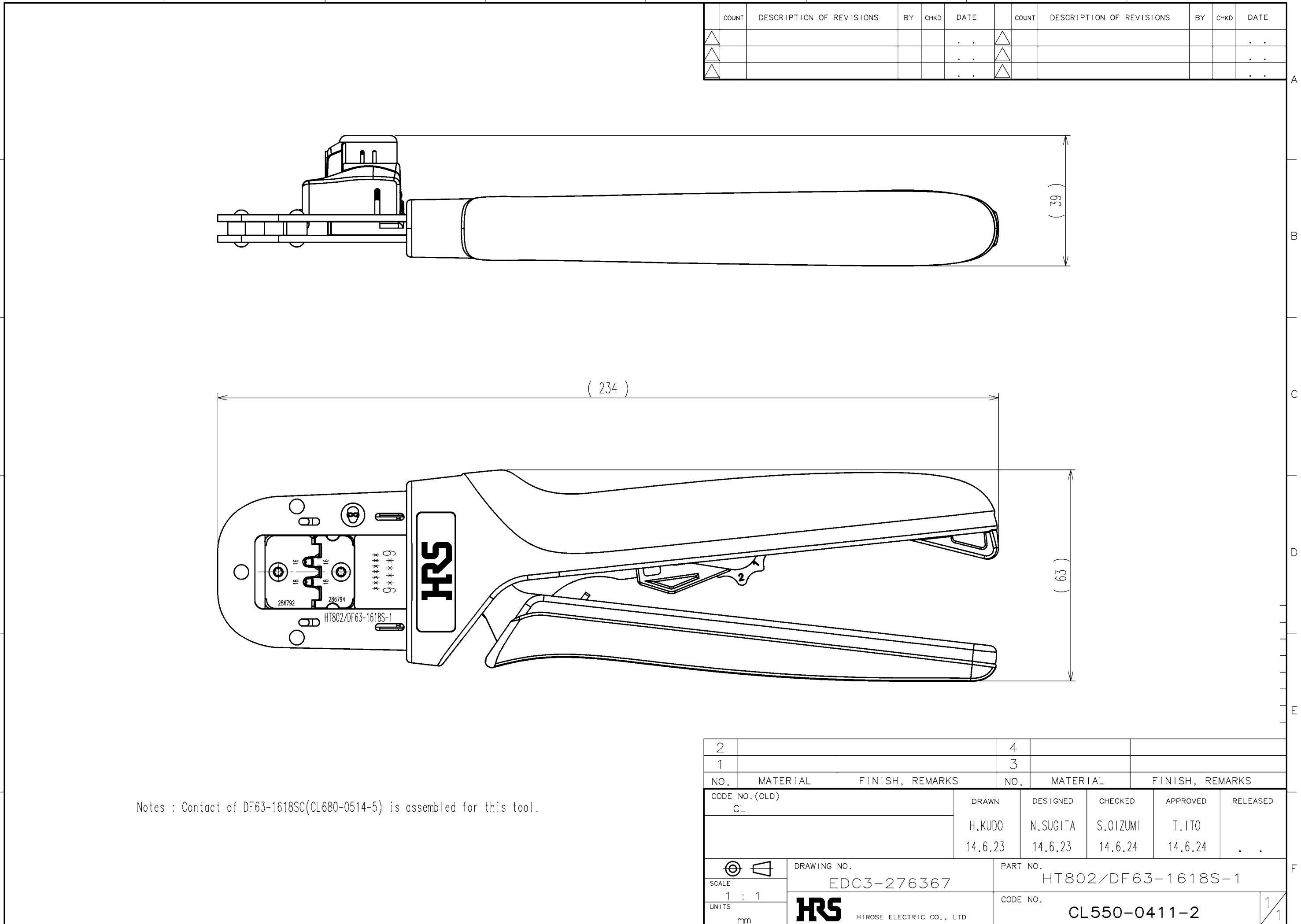


TO
PE



Notes : Contact of DF63-1618SC(CL680-0514-5) is assembled for this tool.

5					6					7					8				
COUNT	DESCRIPTION OF REVISIONS				BY	CHKD	DATE	COUNT	DESCRIPTION OF REVISIONS				BY	CHKD	DATE				
△							..	△							..				
△							..	△							..				
△							..	△							..				

2			4		
1			3		
NO.	MATERIAL	FINISH, REMARKS	NO.	MATERIAL	FINISH, REMARKS
CODE NO.(OLD) CL			DRAWN	DESIGNED	CHECKED
			H.KUDO	N.SUGITA	S.OIZUMI
			14.6.23	14.6.23	14.6.24
			APPROVED	RELEASED	
			T.ITO		..
			14.6.24		
DRAWING NO. EDC3-276367			PART NO. HT802/DF63-1618S-1		
SCALE 1 : 1			CODE NO. CL550-0411-2		
UNITS mm			HRS HIROSE ELECTRIC CO., LTD		
					1/1