

### STANDARD PROFILE SHELL

### LOW PROFILE SHELL



REVISIONS			
REV	DESCRIPTION, ECN, EAR NO.	DATE	APP'D
A	PRODUCT DRAWING (EAR 14385)	JUL28/15	K.L.

**ORDERING CODE: MUSBR - A211 - X X**

SERIES, RUGGED USB

USB SERIES 'A' RECEPTACLE, RIGHT ANGLE, ON PCB WITH R/A CABLE HEADER

**SHELL & THREAD OPTION**  
 3 = STD. PROFILE, #4-40 UNC THREAD  
 4 = LOW PROFILE, #4-40 UNC THREAD  
 M = STD. PROFILE, M3 X 0.5 THREAD  
 R = LOW PROFILE, M3 X 0.5 THREAD

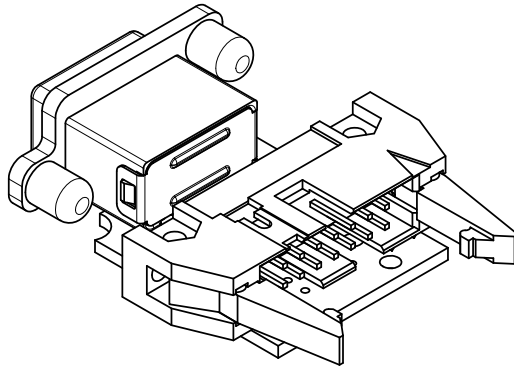
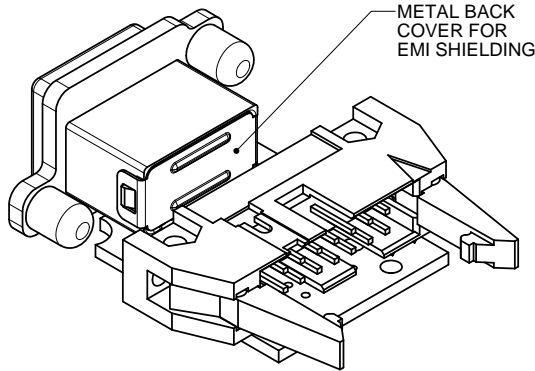
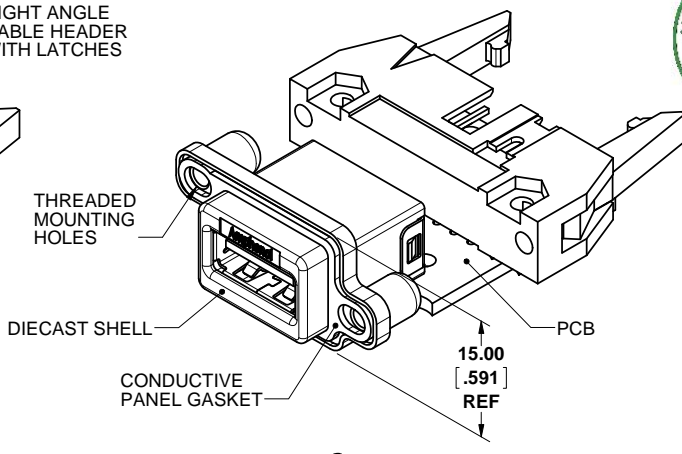
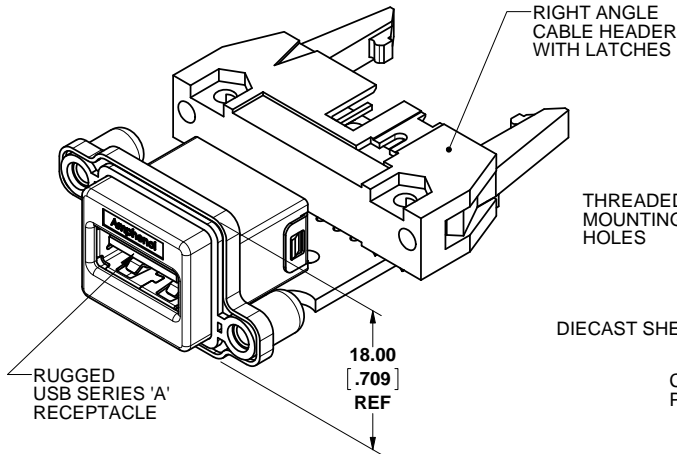
**DUST COVER OPTION**  
 0 = NO DUST COVER SUPPLIED  
 1 = WITH GREY DUST COVER SUPPLIED  
 5 = WITH BLACK DUST COVER SUPPLIED

#### SPECIAL CONNECTORS

MANY UNIQUE FEATURES ARE READILY AVAILABLE TO SUIT CUSTOMER REQUIREMENTS. CONSULT WITH AMPHENOL CANADA FOR DETAILS.

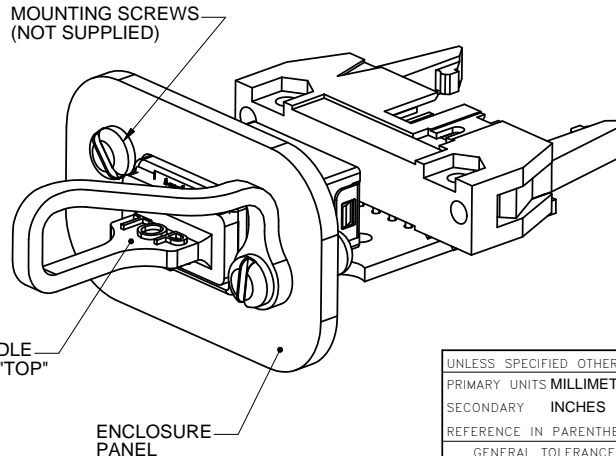
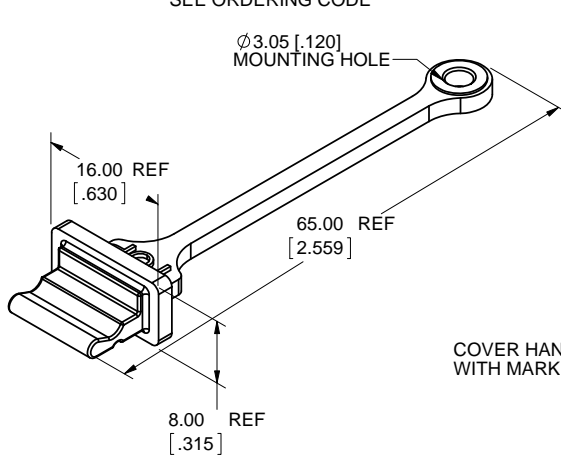
#### NOTES:

- MATERIAL:**
  - ALL MATERIALS ARE RoHS COMPLIANT PER EU DIRECTIVE 2011/65/EU AND AMENDMENTS
  - OUTER SHELL - DIECAST ZINC ALLOY, NICKEL PLATED
  - CONTACTS - PHOSPHOR BRONZE, PLATED WITH 0.76 µm (30 µ") GOLD OVER 1.27 µm (50 µ") NICKEL ON THE MATING AREA WITH MATTE TIN PLATING ON THE TAILS.
  - USB HOUSING - ENGINEERING THERMOPLASTIC, HIGH TEMPERATURE RESISTANT, FLAMMABILITY RATING UL94V-0, BLACK.
  - USB SHIELD & BACK COVER - STAINLESS STEEL, PASSIVATED
  - PANEL GASKET - CONDUCTIVE SILICONE RUBBER, BLACK
  - DUST COVER - SILICONE RUBBER WITH NICKEL PLATED BRASS BUSHING. SEE ORDERING CODE FOR DUST COVER OPTIONS.
  - PCB - FR-4 FIBERGLASS, LEAD FREE, FLAMMABILITY RATING UL94V-0.
  - CABLE HEADER - THERMOPLASTIC HOUSING (UL94V-0, BLACK) WITH BRASS CONTACTS (PLATED GOLD OVER NICKEL), TYCO P/N 5499786-2 OR EQUIVALENT. HEADER MATES WITH TYCO RECEPTACLE 1658620-2 WITH STRAIN RELIEF 499252-9 OR EQUIVALENT.
- ENVIRONMENTAL PERFORMANCE PER IEC 60529 CODE IP67 FOR SEAL BETWEEN MATING AREA AND PCB SIDE OF CONNECTOR. GASKET PROVIDES SEAL TO INSIDE FACE OF ENCLOSURE PANEL. AVAILABLE DUST COVER PROVIDES ADDED PROTECTION.
- CURRENT RATING: 1.5 AMPERES
- CONTACT RESISTANCE: 100 MILLIOHMS MAXIMUM (SUBJECT TO VERIFICATION).
- OPERATING TEMPERATURE: -40°C TO +105°C.
- DUST COVERS MAY BE ORDERED SEPARATELY. SPECIFY
  - PART NUMBER MUSB-2A111-014BP FOR THE GREY COVER OR
  - PART NUMBER MUSB-2A111-024BP FOR THE BLACK COVER.



#### DUST COVER OPTION SEE ORDERING CODE

#### DUST COVER APPLICATION VIEW



UNLESS SPECIFIED OTHERWISE	DRAWN	M. PAHULJE	JUL23/15
PRIMARY UNITS MILLIMETERS	CHECKED		
SECONDARY INCHES	M.E. APP'D		
REFERENCE IN PARENTHESES	Q.A. APP'D		
GENERAL TOLERANCES	DWG APPR.	K. LAMBIE	JUL28/15
1 DECIMAL PLACE	ENG. REL. NO.		
2 DECIMAL PLACES ±0.15	REF.	EAR 14385	
3 DECIMAL PLACES	THIRD ANGLE PROJECTION		
ANGULAR DEGREES	DO NOT SCALE DRAWING		

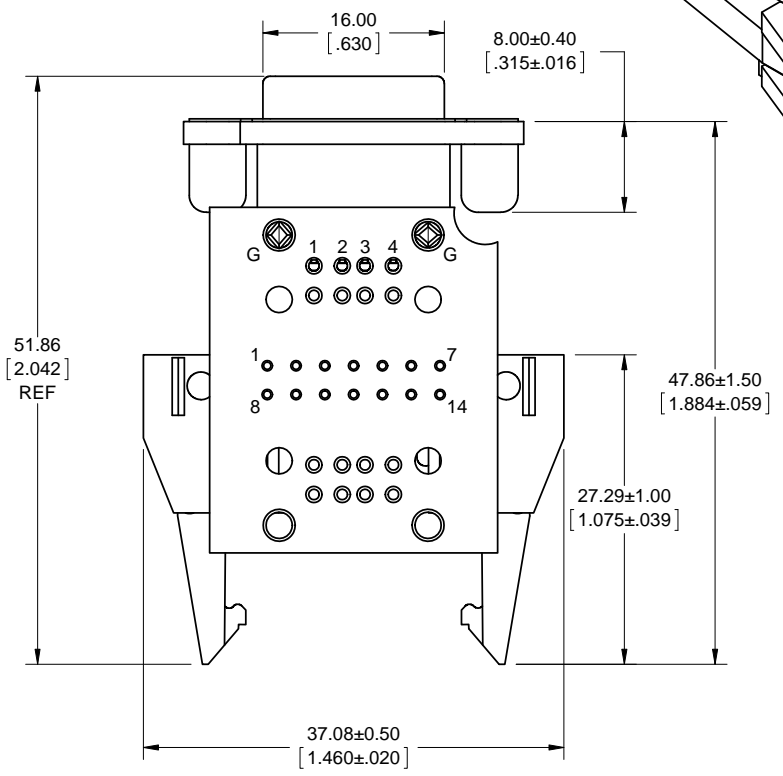
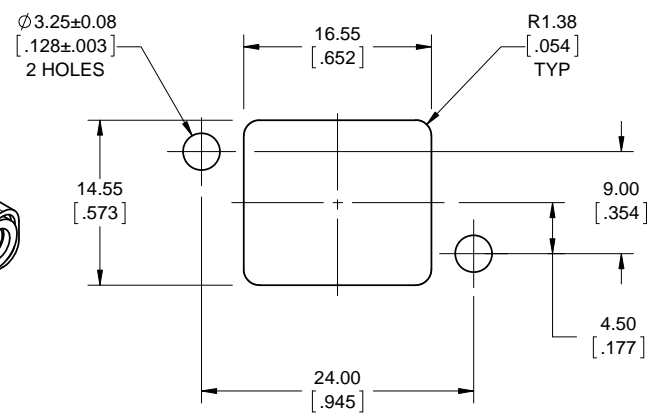
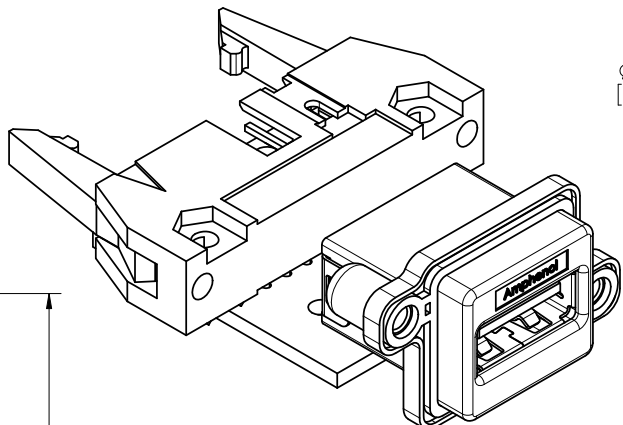
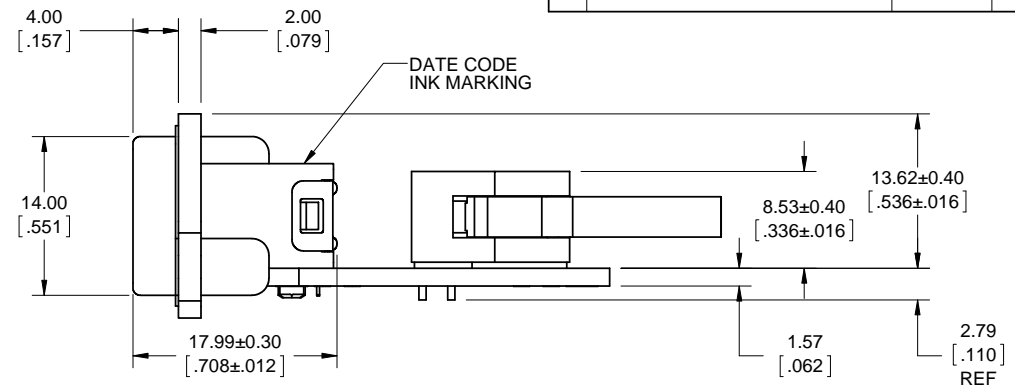
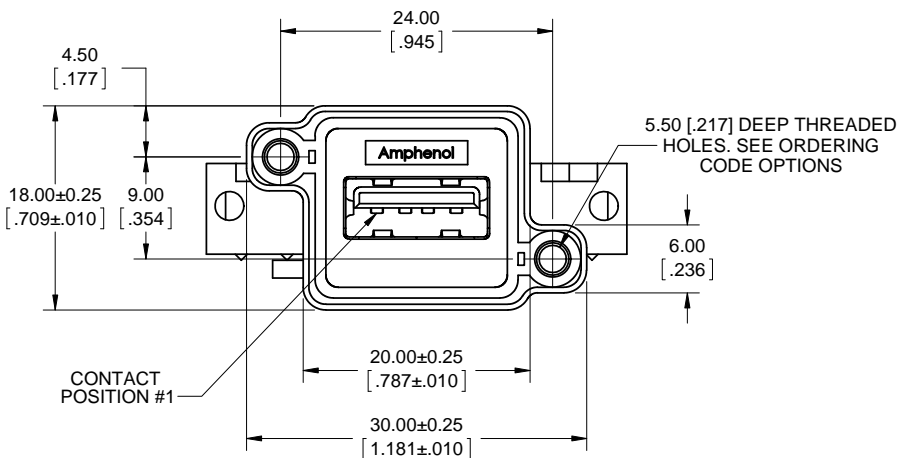
**Amphenol Canada Corp.**  
[www.amphenolcanada.com](http://www.amphenolcanada.com)

MUSBR RUGGED USB, SERIES 'A' RECEPTACLE, RIGHT ANGLE, ON PCB WITH R/A CABLE HEADER, THREAD, SHELL & DUST COVER OPTIONS, RoHS COMPLIANT

DWG. NO. **P-MUSBR-A211-XX** REV **A**

CODE ID NO. 03554 DWG SIZE: C SCALE: 3:1 SHEET 1 OF 3

REVISIONS			
REV	DESCRIPTION, ECN, EAR NO.	DATE	APP'D
A	PRODUCT DRAWING (EAR 14385)	JUL28/15	K.L.



**CONNECTION CHART**

RUGGED USB CONNECTOR POSITION #	CABLE HEADER POSITION #
SHELL/GROUND	1
1	14
2	13
3	12
4	11

**RECOMMENDED PANEL CUTOUT  
OUTSIDE VIEW OF PANEL**

**STANDARD PROFILE SHELL SHOWN**

**AMPHENOL CANADA PART NUMBERS: MUSBR-A211-3X  
MUSBR-A211-MX**



UNLESS SPECIFIED OTHERWISE	DRAWN	M. PAHULJE	JUL23/15
PRIMARY UNITS MILLIMETERS	CHECKED		
SECONDARY INCHES	M.E. APP'D		
REFERENCE IN PARENTHESES	Q.A. APP'D		
GENERAL TOLERANCES	DWG APPR.	K.LAMBIE	JUL28/15
1 DECIMAL PLACE	ENG. REL. NO.		
2 DECIMAL PLACES ±0.15	REF.	EAR 14385	
3 DECIMAL PLACES	THIRD ANGLE PROJECTION		
ANGULAR DEGREES	DO NOT SCALE DRAWING		

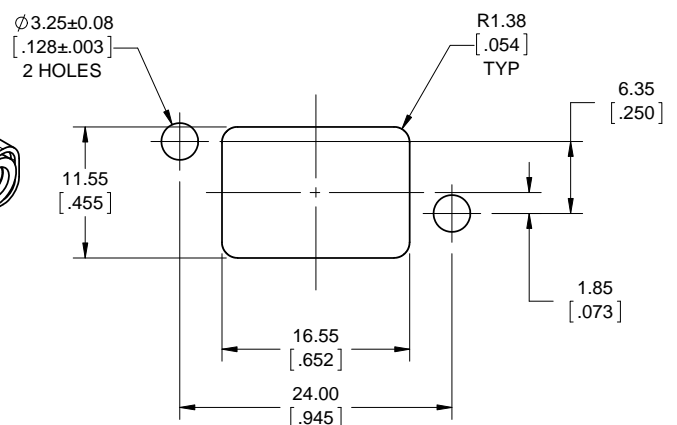
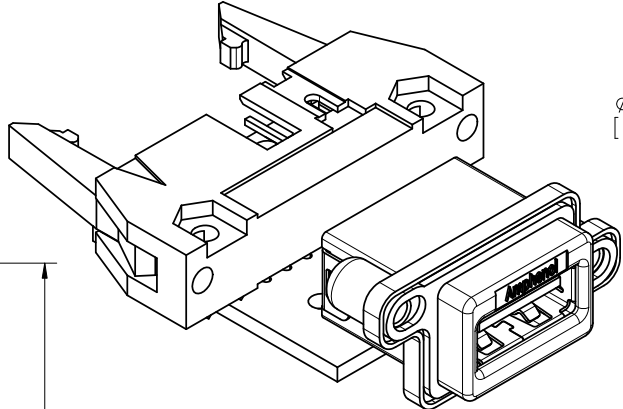
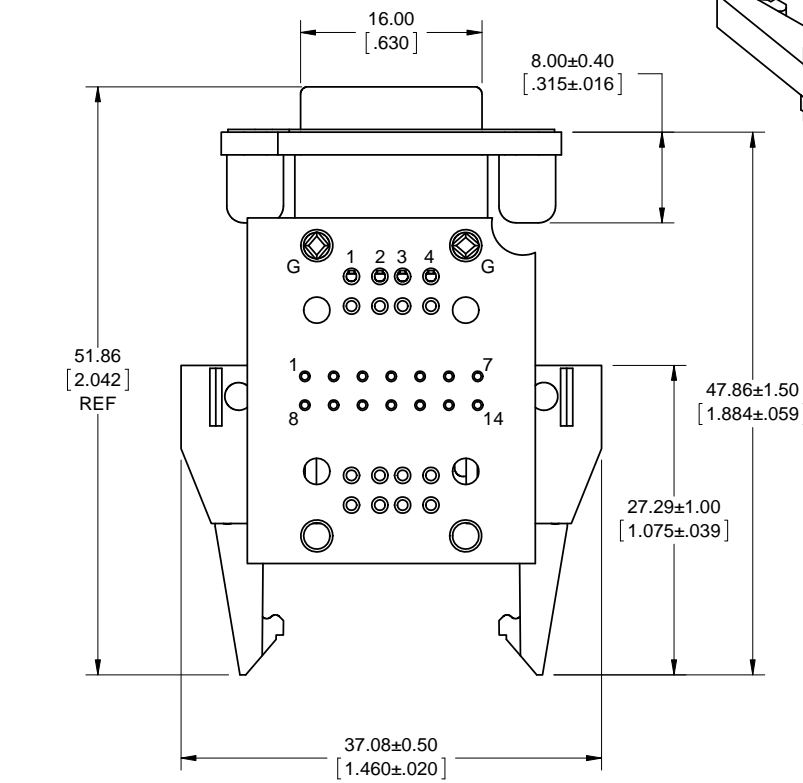
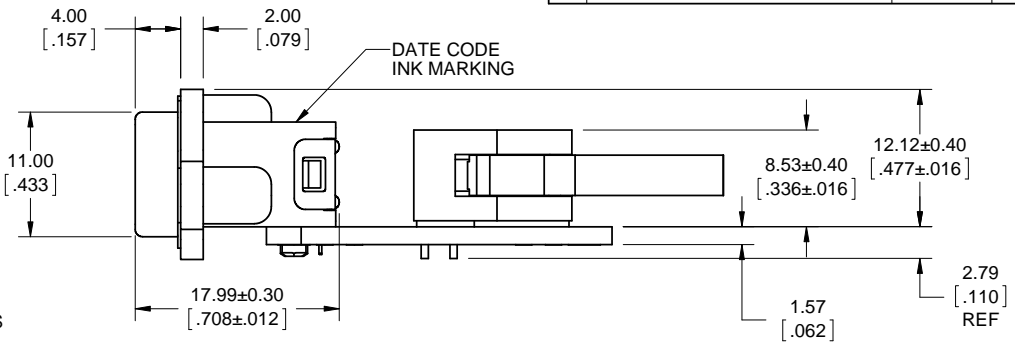
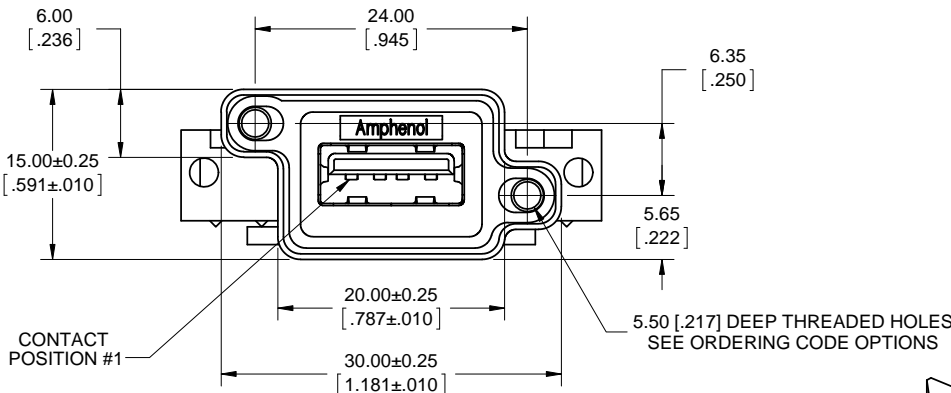
**Amphenol Canada Corp.**  
www.amphenolcanada.com

MUSBR RUGGED USB, SERIES 'A' RECEPTACLE, RIGHT ANGLE, ON PCB WITH R/A CABLE HEADER, THREAD, SHELL & DUST COVER OPTIONS, RoHS COMPLIANT

DWG. NO. **P-MUSBR-A211-XX** REV **A**

CODE ID NO. 03554 DWG SIZE: C SCALE: 3:1 SHEET 2 OF 3

REVISIONS			
REV	DESCRIPTION, ECN, EAR NO.	DATE	APP'D
A	PRODUCT DRAWING (EAR 14385)	JUL28/15	K.L.



**CONNECTION CHART**

RUGGED USB CONNECTOR POSITION #	CABLE HEADER POSITION #
SHELL/GROUND	1
1	14
2	13
3	12
4	11

**RECOMMENDED PANEL CUTOUT  
OUTSIDE VIEW OF PANEL**

**LOW PROFILE SHELL SHOWN**

**AMPHENOL CANADA PART NUMBERS: MUSBR-A211-4X  
MUSBR-A211-RX**



UNLESS SPECIFIED OTHERWISE	DRAWN	M. PAHULJE	JUL23/15
PRIMARY UNITS MILLIMETERS	CHECKED		
SECONDARY INCHES	M.E. APP'D		
REFERENCE IN PARENTHESES	Q.A. APP'D		
GENERAL TOLERANCES	DWG APPR.	K. LAMBIE	JUL28/15
1 DECIMAL PLACE	ENG. REL. NO.		
2 DECIMAL PLACES ±0.15	REF.	EAR 14385	
3 DECIMAL PLACES	THIRD ANGLE PROJECTION		
ANGULAR DEGREES	DO NOT SCALE DRAWING		

**Amphenol Canada Corp.**  
www.amphenolcanada.com

MUSBR RUGGED USB, SERIES 'A' RECEPTACLE, RIGHT ANGLE, ON PCB WITH R/A CABLE HEADER, THREAD, SHELL & DUST COVER OPTIONS, RoHS COMPLIANT

DWG. NO. **P-MUSBR-A211-XX** REV **A**

CODE ID NO. 03554 DWG SIZE: C SCALE: 3:1 SHEET 3 OF 3