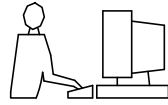
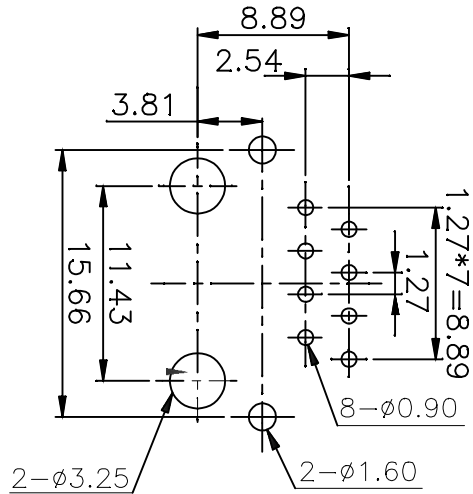


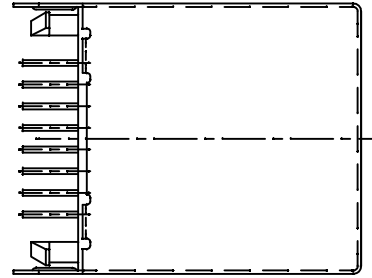
THIS IS A C.A.D. GENERATED DRAWING  
DO NOT MAKE MANUAL REVISIONS TO MASTER.



\* UNLESS OTHERWISE SPECIFIED TOLERANCES  
ON DECIMAL IS: ANGLE  $\pm 5^\circ$   
UNIT: MM X.  $\pm 0.38$   
X.X  $\pm 0.25$



PCB LAYOUT/TOP VIEW

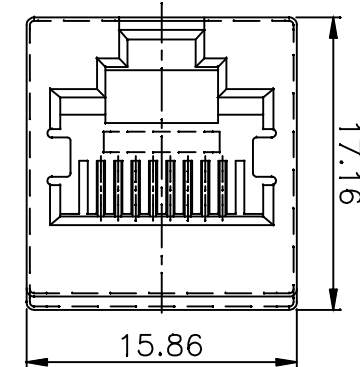
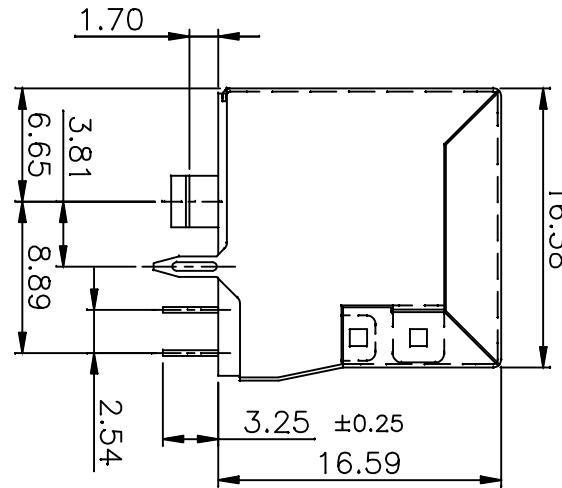
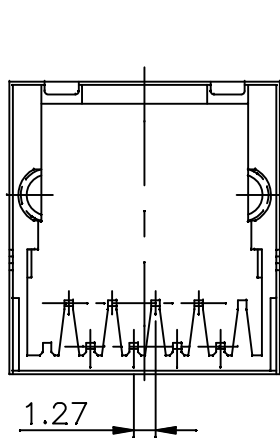


Ordering information:

Type	P/N-BULK	Product Code
8P8C-V-Shielded	2101-0110-03	MHRJJ88NFVS

**1. MATERIALS:**

- 1.1 PLASTIC HOUSING:  
ENGINEERING THERMOPLASTIC  
FLAMMABILITY RATING UL 94V-0.
- 1.2 CONTACTS: PHOSPHOR BRONZE.
- 1.3 PLATING:  
GOLD PLATING OVER NICKEL IN CONTACT.  
TIN PLATING OVER NICKEL IN SOLDER AREA.
- 1.4 SHIELDED: BRASS WITH NICKEL PLATED.



THESE DRAWINGS AND SPECIFICATIONS ARE THE PROPERTY OF MH CONNECTORS AND SHALL NOT BE REPRODUCED, COPIED OR USED AS THE BASIS FOR THE MANUFACTURE OR SALE OF APPARATUS WITHOUT WRITTEN PERMISSION.

DRAWN	DATE
JOHNNY	07-22-15

APPROVED	DATE
DAMIEN	07-23-15

SCALE	SHEET OF	REV:
	1 OF 1	3.0

DRAWING No  
MHRJJ88NFVS



THIS SERIES FULLY CONFORMS TO THE EUROPEAN UNION DIRECTIVES 2002/95/EC AND 2002/96/EC FOR RoHS COMPLIANCY.



MH CONNECTORS,  
DIVISION OF EDAC