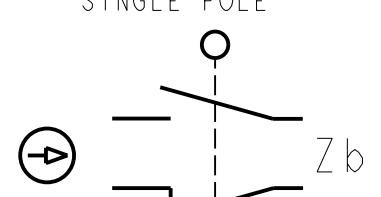
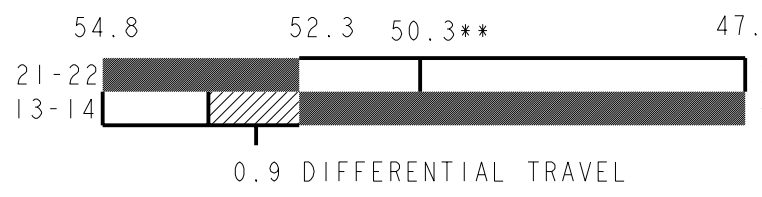
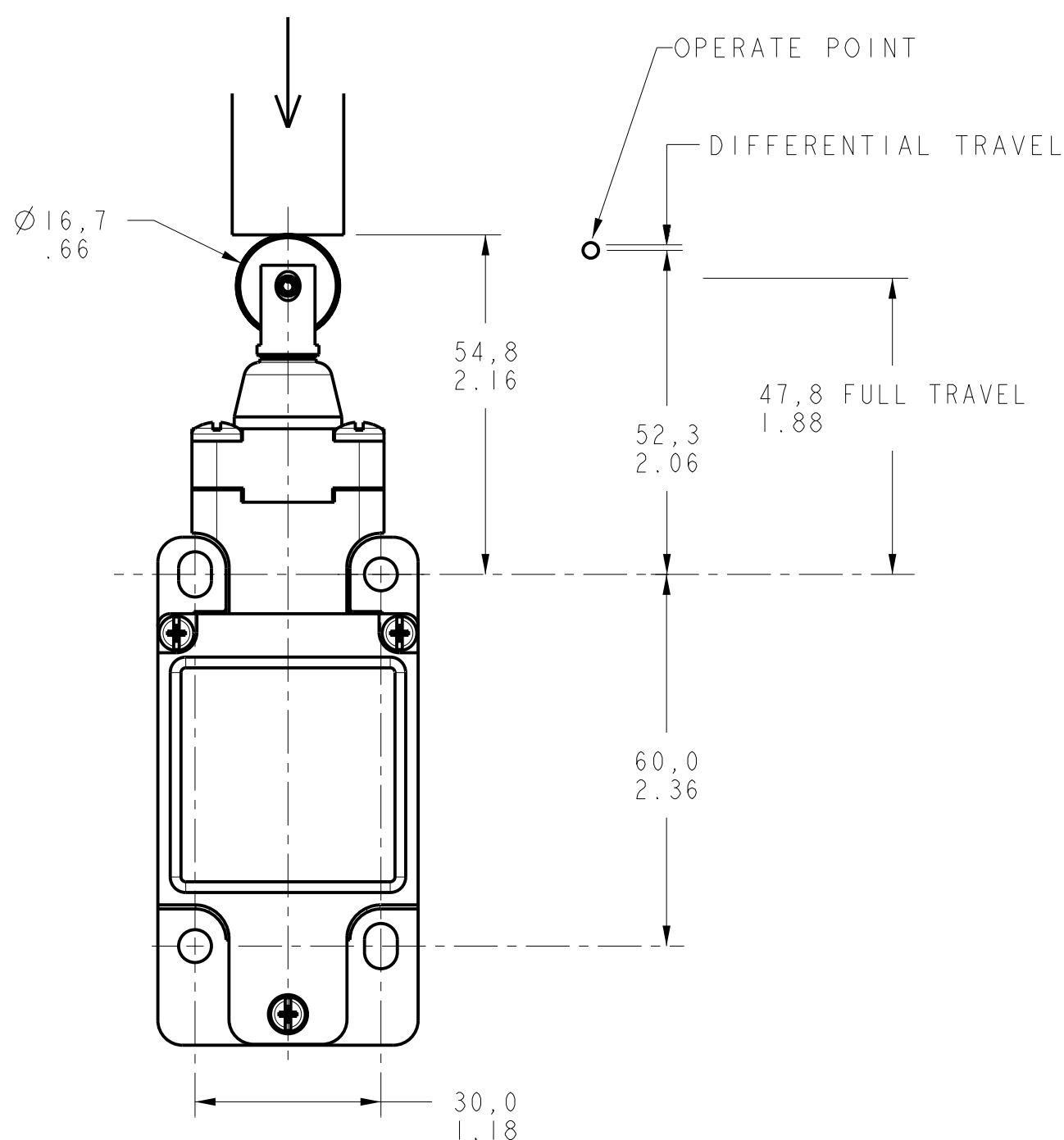


M

GLBA02C-F025

ROLLER PLUNGER HEAD, PIN ACTUATION

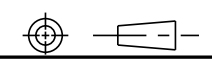
CONTACT BLOCK DIAGRAM	NOMINAL TRAVELS AND RELATED TERMINALS <small>■ - CONTACT CLOSED, □ - CONTACT OPEN, ▨ - CONTACT CLOSED DIFFERENTIAL TRAVEL, ** POSITIVE OPENING TO TEC 947-5-1</small>	MAXIMUM OPERATING FORCE <small>$\frac{N}{LB}$</small>	MAXIMUM DISCONNECT FORCE <small>$\frac{N}{LB}$</small>	MAX OPERATE VEL <small>$\frac{M/S}{IN/S}$</small>	MIN OPERATE VEL <small>$\frac{mm/S}{IN/S}$</small>	MAX OPERATE FREQUENCY <small>OPS/MIN</small>
SNAP - ACTION CONTACTS SINGLE POLE 		$\frac{16}{3.6}$	$\frac{27}{6.0}$	$\frac{0.1}{3.9}$	$\frac{1.0}{.04}$	250



PTC/CAD
 DRAWN 23 SEP 97
 CHECK GLH 10 AUG 98
 REVISIONS
 ISSUE 1
 DRAWING NUMBER
 M
 RELEASE NO. PR-23262
 PAGE 1 OF 1
 REPLACES
 GLBA02C-F025

MASTER REDUCED
ANSI Y14.5M-1982 APPLIES

THIS DRAWING COVERS A PROPRIETARY ITEM AND IS THE PROPERTY OF MICRO SWITCH, A DIVISION OF HONEYWELL. THIS DRAWING IS NOT TO BE COPIED OR USED WITHOUT THE APPROVAL OF MICRO SWITCH.		
MICRO SWITCH a Honeywell Division <small>FED. MFG. CODE 91929</small>	SWITCH, ENCLOSED	CATALOG LISTING GLBA02C-F025

THIRD ANGLE PROJECTION 
SCALE FULL
DO NOT SCALE PRINT
UNLESS OTHERWISE SPECIFIED TOLERANCES ARE NO PLACE (0) ± 1 MM ONE PLACE (0,0) ± 0,4 MM TWO PLACE (0,00) ± 0,15 MM ANGLES ±
WEIGHT