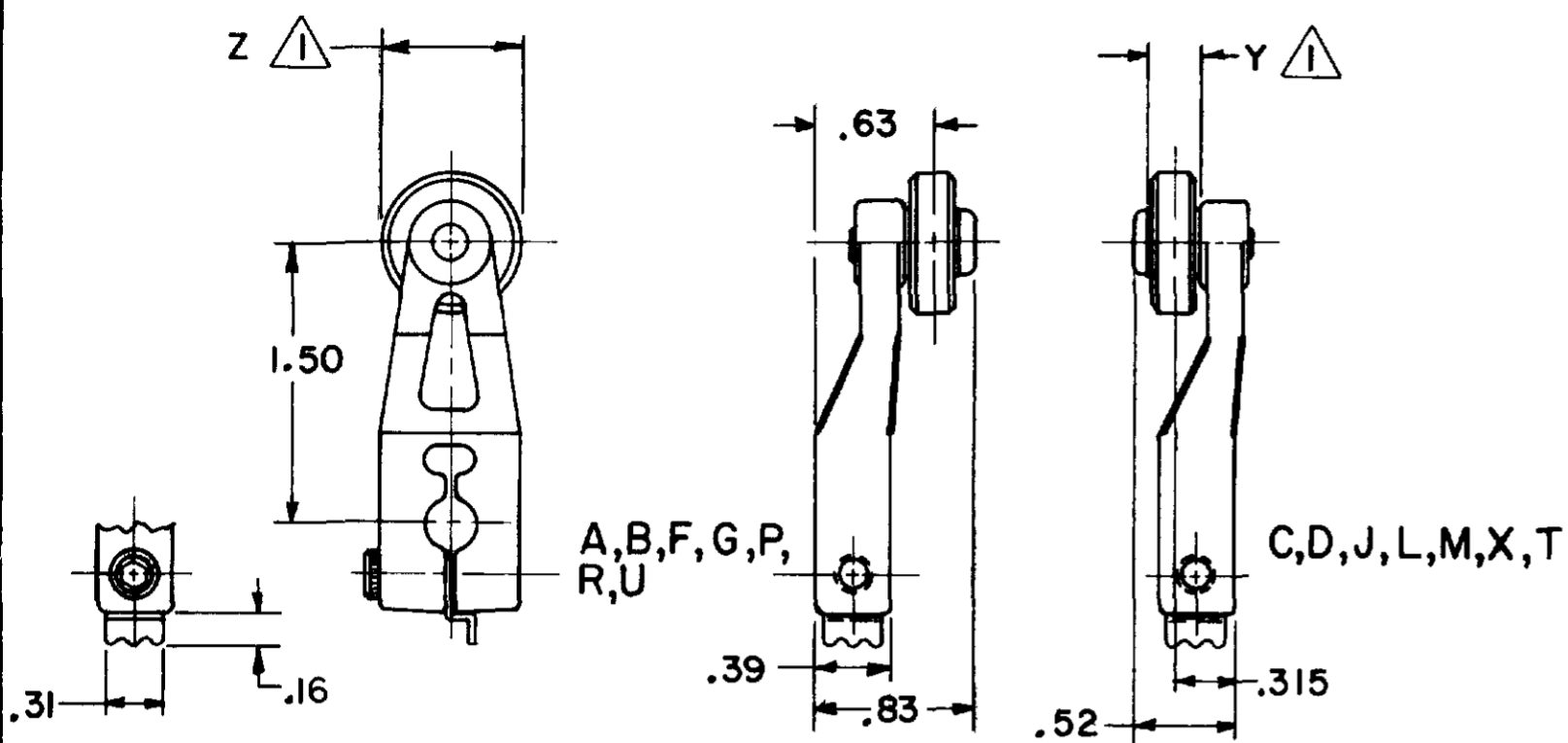


REV. NO.	DATE	BY	CHKD.
1	NOV 74	AK	AK
2	FEB 78	AK	AK
3	FEB 78	AK	AK
4	FEB 78	AK	AK
5	FEB 78	AK	AK
6	FEB 78	AK	AK
7	FEB 78	AK	AK
8	FEB 78	AK	AK
9	FEB 78	AK	AK
10	FEB 78	AK	AK
11	FEB 78	AK	AK
12	FEB 78	AK	AK
13	FEB 78	AK	AK
14	FEB 78	AK	AK
15	FEB 78	AK	AK
16	FEB 78	AK	AK
17	FEB 78	AK	AK
18	FEB 78	AK	AK
19	FEB 78	AK	AK
20	FEB 78	AK	AK
21	FEB 78	AK	AK
22	FEB 78	AK	AK
23	FEB 78	AK	AK
24	FEB 78	AK	AK
25	FEB 78	AK	AK
26	FEB 78	AK	AK
27	FEB 78	AK	AK
28	FEB 78	AK	AK
29	FEB 78	AK	AK
30	FEB 78	AK	AK
31	FEB 78	AK	AK
32	FEB 78	AK	AK
33	FEB 78	AK	AK
34	FEB 78	AK	AK
35	FEB 78	AK	AK
36	FEB 78	AK	AK
37	FEB 78	AK	AK
38	FEB 78	AK	AK
39	FEB 78	AK	AK
40	FEB 78	AK	AK
41	FEB 78	AK	AK
42	FEB 78	AK	AK
43	FEB 78	AK	AK
44	FEB 78	AK	AK
45	FEB 78	AK	AK
46	FEB 78	AK	AK
47	FEB 78	AK	AK
48	FEB 78	AK	AK
49	FEB 78	AK	AK
50	FEB 78	AK	AK

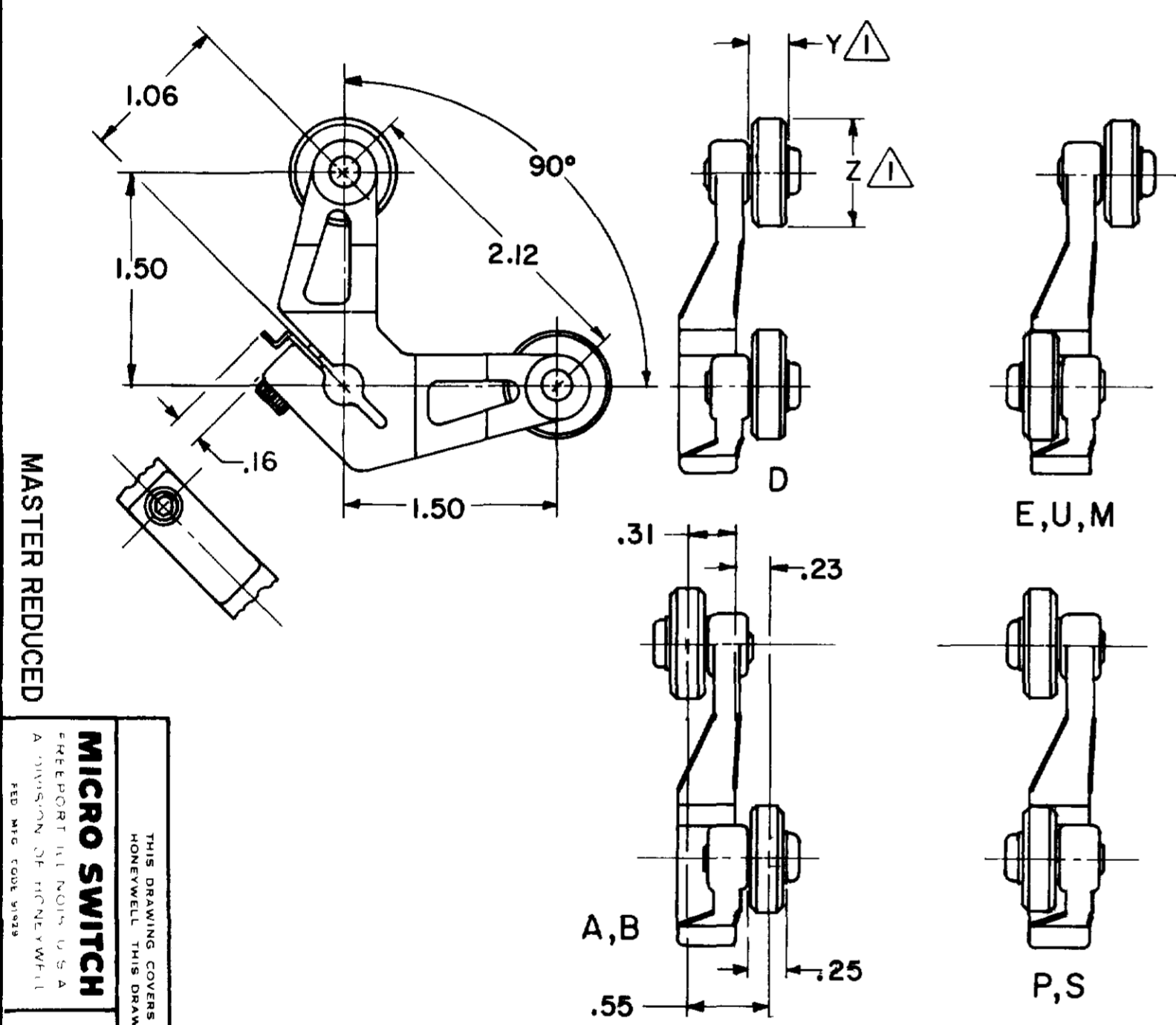
LEVERS FOR ROTARY LIMIT SWITCHES

ALL DIMENSIONS REFERENCE ONLY



CATALOG LISTING	ROLLER	Z DIA	Y WIDTH
LSZ51U	ST STEEL	.750	.575
LSZ51	NONE	---	---
LSZ51A	NYLON	.750	.250
LSZ51B	STEEL	.750	.250
LSZ51C	NYLON	.750	.250
LSZ51D	STEEL	.750	.250
LSZ51F	NYLON	1.000	.520
LSZ51G	NYLON	1.500	.250
LSZ51J	NYLON	1.000	.520
LSZ51L	BALL BEARING	.750	.250
LSZ51M	NYLON	.750	1.250
LSZ51P	NYLON	.750	.500
LSZ51N ³	STEEL	.750	.250
Ⓢ	ST. STEEL	.750	.250
LSZ51T	ST. STEEL	.750	.375
LSZ51R	NYLON	1.59	.250
LSZ51W	RUBBER	1.60	.50
LSZ51Y	RUBBER	2.00	.50

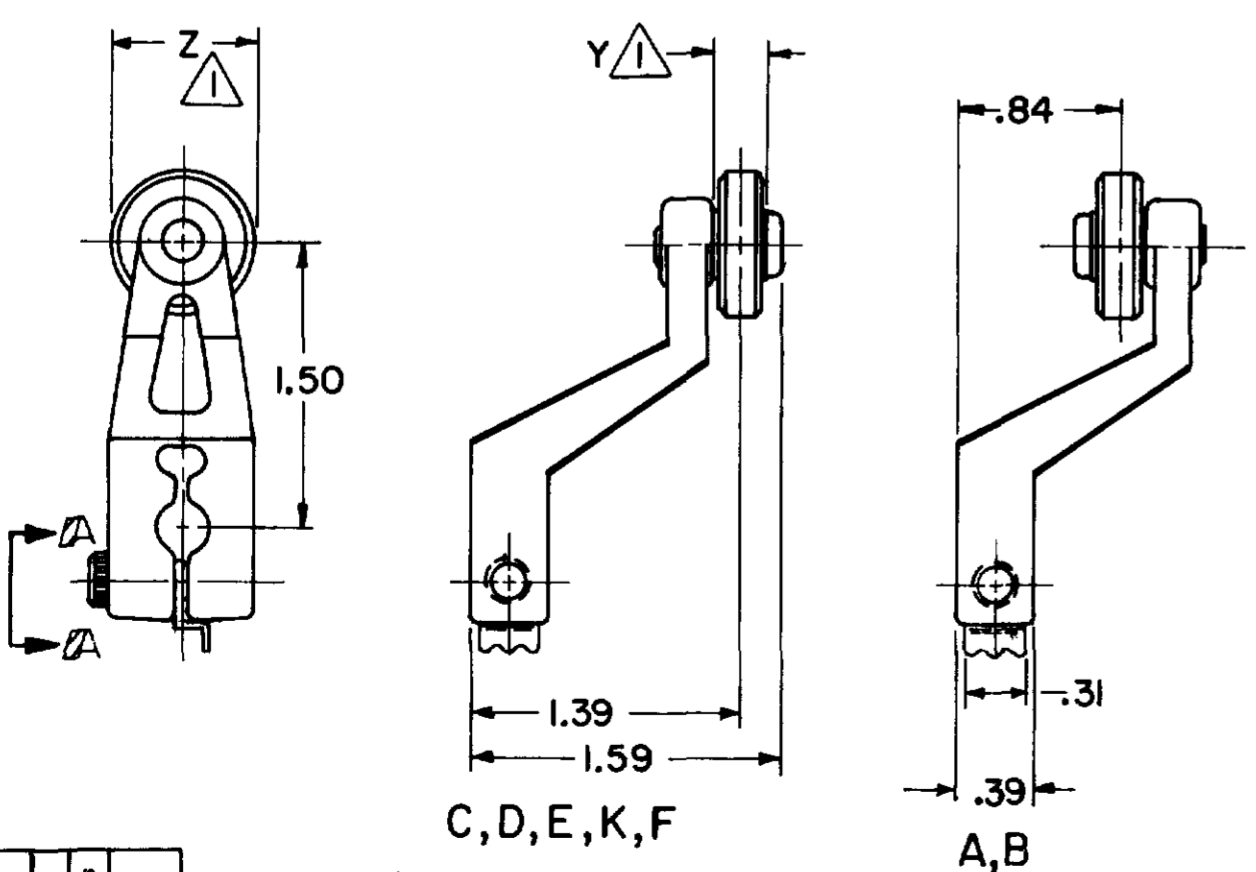
ALL DIMENSIONS REFERENCE ONLY



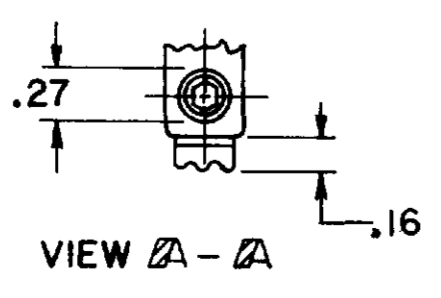
CATALOG LISTING	ROLLER	Z DIA.	Y WIDTH
LSZ53	NONE	---	---
LSZ53A	NYLON	.750	.250
LSZ53B	STEEL	.750	.250
LSZ53D	STEEL	.750	.250
LSZ53E	NYLON	.750	.250
LSZ53P	STEEL	.750	.250
LSZ53S	NYLON	.750	.250
LSZ53U	STEEL	.750	.250
LSZ53M	NYLON	.750	1.250

NOTES
¹ FOR ADDITIONAL ROLLER WIDTHS AND/OR DIAMETERS, REFER TO THE CHART ON THE RIGHT
² ALL SCREWS ARE #8-32 UNC WITH A 9/64 ALLEN HEAD SOCKET
³ SAME AS 6PA121 (6PA121 NOT SHOWN)

ALL DIMENSIONS REFERENCE ONLY



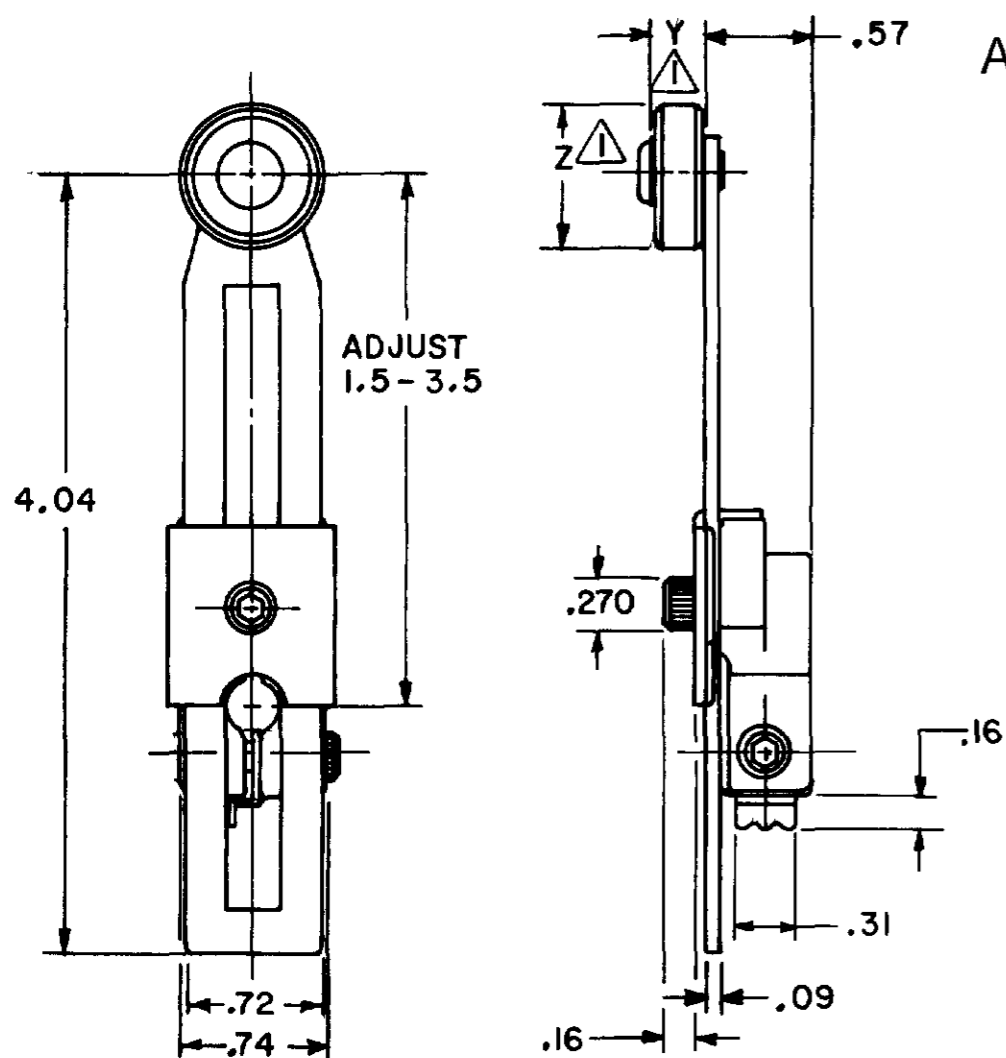
CATALOG LISTING	ROLLER	Z DIA.	Y WIDTH
LSZ55	NONE	---	---
LSZ55A	NYLON	.750	.250
LSZ55B	STEEL	.750	.250
LSZ55C	NYLON	.750	.250
LSZ55D	STEEL	.750	.250
LSZ55E	NYLON	.750	.500
LSZ55K	NYLON	1.500	.250
LSZ55F	NYLON	1.00	.500
LSZ55W	RUBBER	1.60	.50
LSZ55Y	RUBBER	2.00	.50



MICRO SWITCH
 THIS DRAWING COVERS A PROPRIETARY ITEM AND IS THE PROPERTY OF MICRO SWITCH, A DIVISION OF HONEYWELL. THIS DRAWING IS NOT TO BE COPIED OR USED WITHOUT THE APPROVAL OF MICRO SWITCH.
 MICRO SWITCH
 A DIVISION OF HONEYWELL
 3501 WING ROAD
 MILWAUKEE, WISCONSIN 53211
 U.S.A.
LSZ SERIES
 CHART 1
 DESIGN UNITS: INCHES
 TOLERANCES: .0005
 FINISH: .0005
 MATERIAL: .0005
 WEIGHT: .0005
 THIRD ANGLE PROJECTION
 DO NOT SCALE PRINT
 SCALE: FULL
 MICRO SWITCH COMPANY
 MILWAUKEE, WISCONSIN 53211
 U.S.A.

LEVERS FOR ROTARY LIMIT SWITCHES

ALL DIMENSIONS REFERENCE ONLY

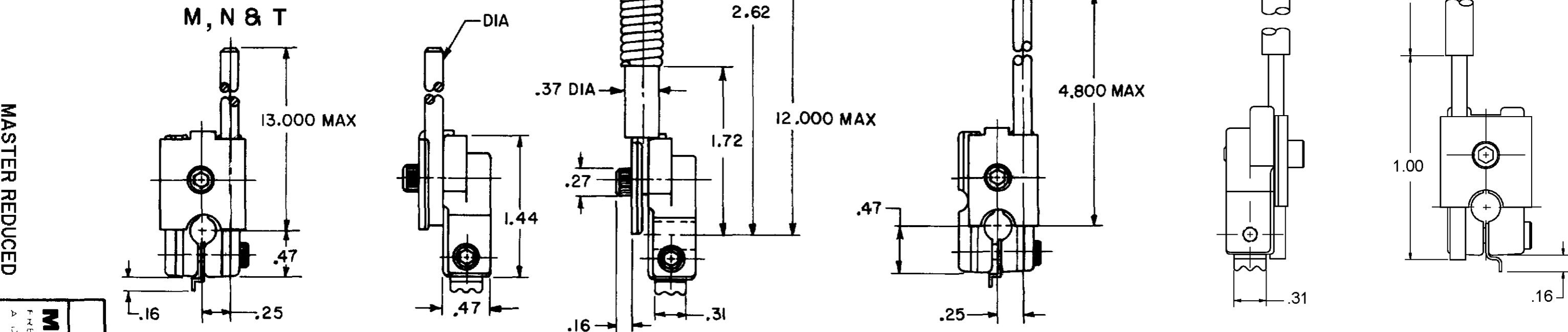


CATALOG LISTING	ROLLER	Z DIA	Y WIDTH
LSZ52	NONE	---	---
LSZ52A	NYLON	.750	.250
LSZ52B	STEEL	.750	.250
LSZ52C	NYLON	.750	.250
LSZ52D	STEEL	.750	.250
LSZ52J	NYLON	1.000	.500
LSZ52K	NYLON	1.500	.250
LSZ52M	NYLON	2.000	.250
LSZ52L	BALL BEARING	.750	.250
LSZ52E	NYLON	.750	1.300
LSZ52N	NYLON	.750	.500
LSZ52W	RUBBER	1.60	.50
LSZ52Y	RUBBER	2.00	.40

NOTES
 1 FOR ADDITIONAL ROLLER WIDTHS AND/OR DIAMETERS REFER TO THE CHART ON THE RIGHT
 2 ALL SCREWS ARE #8-32 UNC WITH A 9/64 ALLEN HEAD SOCKET EXCEPT LSZ52N WHICH USES BUTTON HEAD SCREW WITH 3/32 HEX SOCKET

CATALOG LISTING	ACTUATOR	DIA.	LENGTH
LSZ54M	ALUMINUM ROD	.125	5.5
LSZ54N	STAINLESS STEEL ROD	.125	13.0
LSZ54R	SPRING WIRE	.075	12.0
LSZ54V	CABLE	.186	4.8
LSZ54P	DELTRIN ROD	.27	21.0
LSZ54T	STAINLESS STEEL ROD	.187	13.0

ALL DIMENSIONS REFERENCE ONLY



MASTER REDUCED

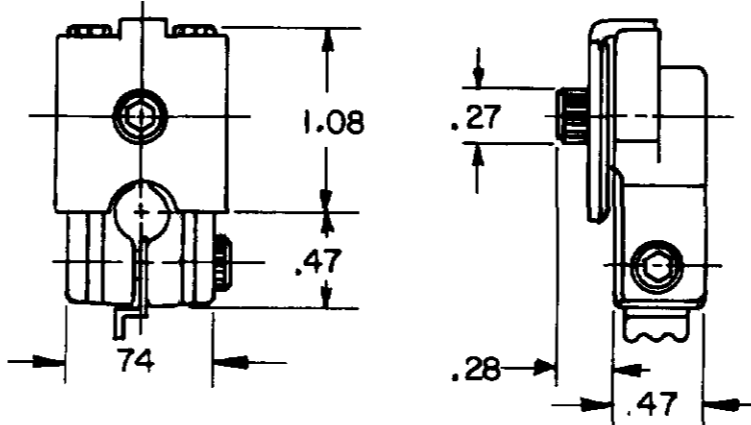
MICRO SWITCH
 FREEPORT, ILLINOIS, U.S.A.
 A DIVISION OF HONEYWELL
 750 MFG CODE 5123

LSZ SERIES
 CHART 1

DESIGN UNITS: INCHES
 TOLERANCES: .0005
 SCALE: FULL
 DO NOT SCALE PRINT
 THIS DRAWING COVERS A PROPRIETARY ITEM AND IS THE PROPERTY OF MICRO SWITCH. A DIVISION OF HONEYWELL. THIS DRAWING IS NOT TO BE COPIED OR USED WITHOUT THE APPROVAL OF MICRO SWITCH.

CATALOG LISTING	Y REF LENGTH	Z MAX WIDTH
LSZ 61	6.0	2.30
LSZ 618	9.5	4.00

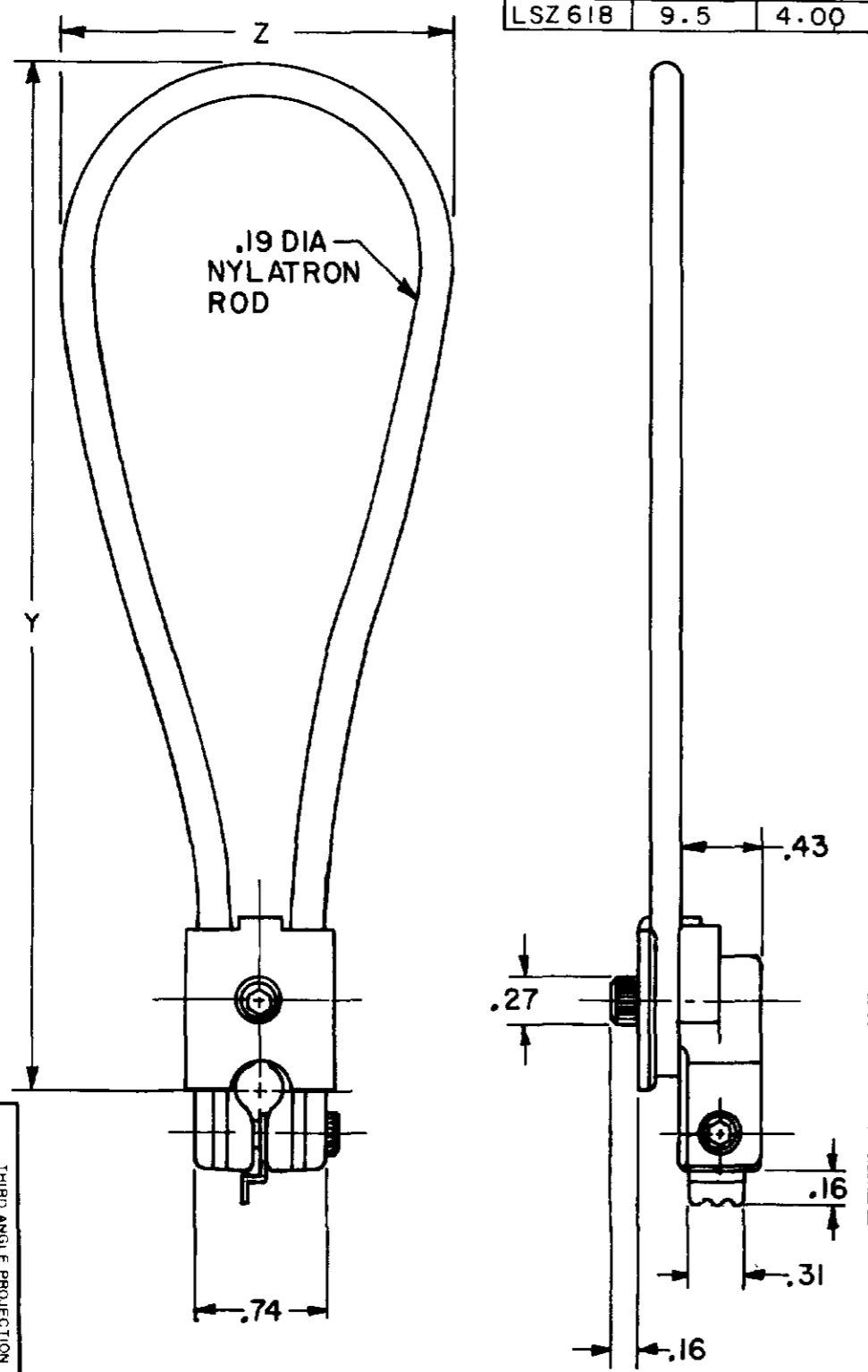
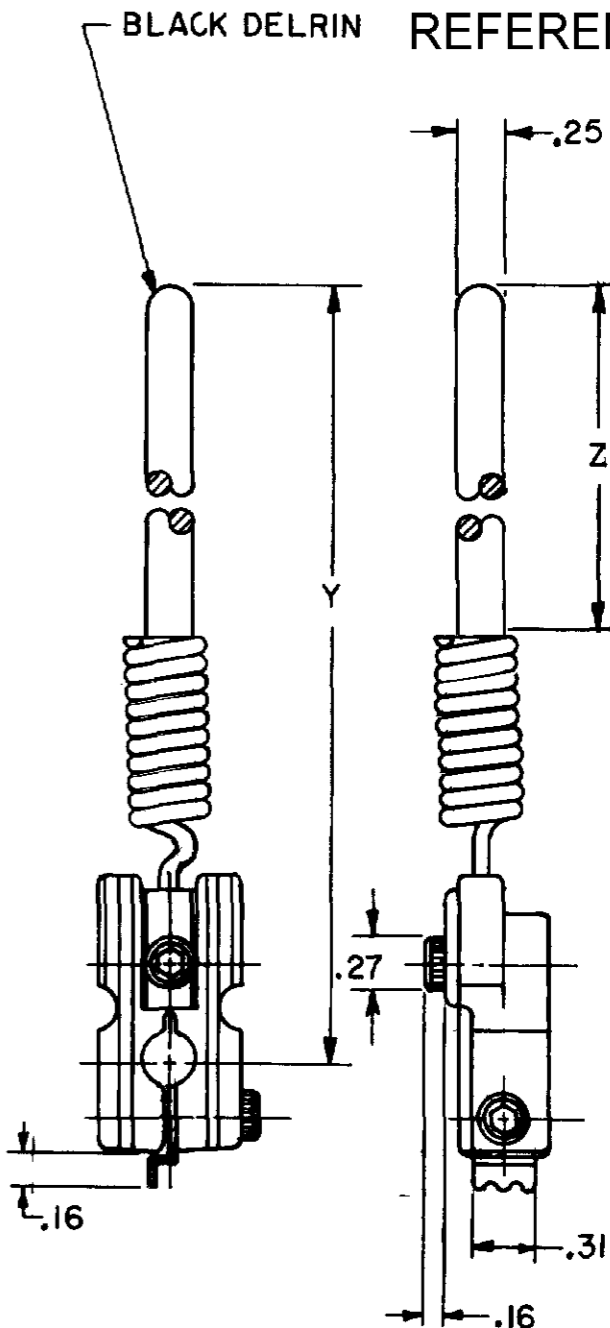
LSZ54



ALL DIMENSIONS REFERENCE ONLY

CATALOG LISTING	Y LENGTH	Z LENGTH
LSZ68	12.0	9.80
LSZ617	16.0	14.00
LSZ686	6.0	3.8

ALL DIMENSIONS REFERENCE ONLY

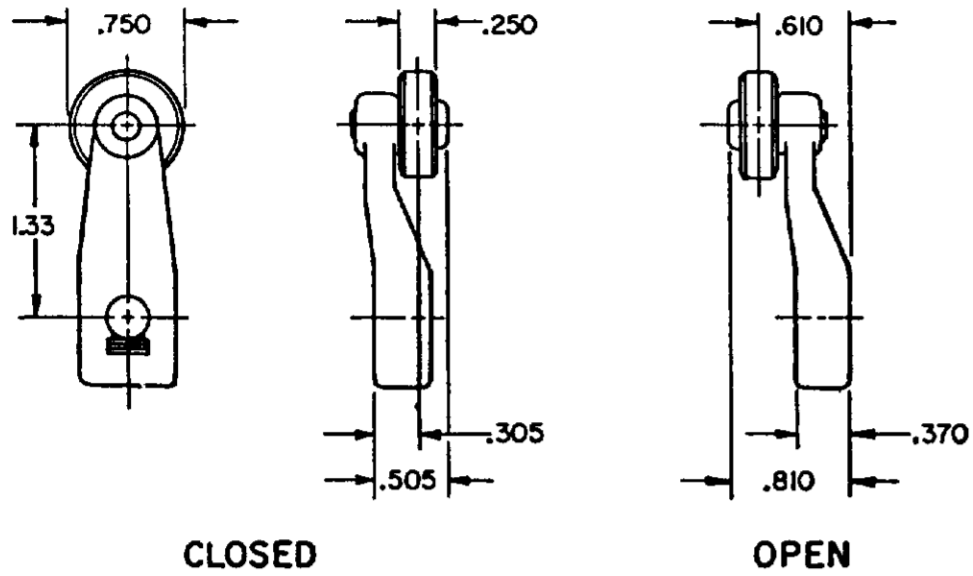


ALL DIMENSIONS REFERENCE ONLY

LSZ SERIES CHART 1

LEVERS FOR ROTARY LIMIT SWITCHES

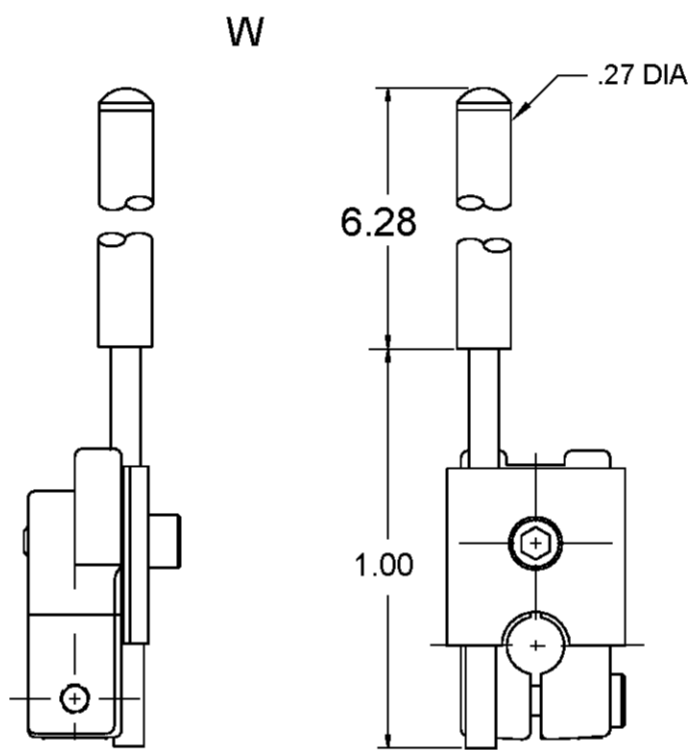
TYPE LSZ59 LEVER



CATALOG LISTING	ROLLER	STYLE	DIA.	WIDTH
LSZ59	NONE	---	----	----
LSZ59A	NYLON	OPEN	.750	.250
LSZ59B	STEEL	OPEN	.750	.250
LSZ59C	NYLON	CLOSED	.750	.250
LSZ59D	STEEL	CLOSED	.750	.250
LSZ59L	BALL BEARING	CLOSED	.750	.250

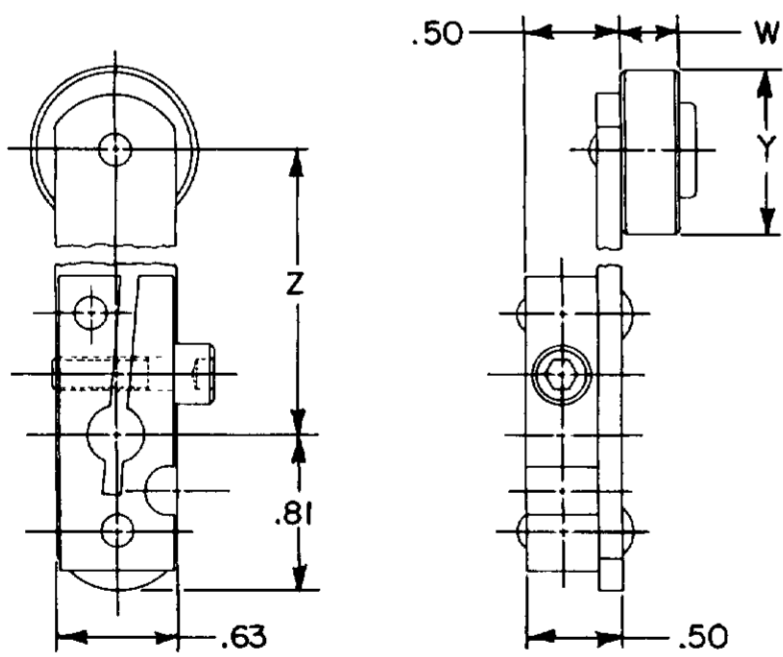
ALL DIMENSIONS REFERENCE ONLY

CATALOG LISTING	ACTUATOR	DIA.	LENGTH
LSZ54W	DELRIN ROD	.27	7.28



MASTER REDUCED

FIXED LEVER TYPE



CATALOG LISTING	ROLLER	W WIDTH	Y DIA	Z LENGTH
ⓐ	NYLON	.300	.875	1.500
ⓑ	NYLON	.300	.875	2.000
ⓒ	NYLON	.300	.875	2.500
ⓓ	NYLON	.300	.875	3.000
ⓔ	NYLON	.300	.875	3.500
ⓕ	NYLON	.300	.875	4.000
LSZ581B	ST. STL	.250	.750	1.500
ⓖ	ST. STL	.250	.750	2.000

NOTE
1 - SCREW IS 10-32 WITH A 5/32 ALLEN HEAD SOCKET

ALL DIMENSIONS REFERENCE ONLY

MICRO SWITCH
A DIVISION OF HONEYWELL
FREDERICK, ILLINOIS, U.S.A.
FED. REG. CODE 93228

THIS DRAWING COVERS A PROPRIETARY ITEM AND IS THE PROPERTY OF MICRO SWITCH, A DIVISION OF HONEYWELL. THIS DRAWING IS NOT TO BE COPIED OR USED WITHOUT THE APPROVAL OF MICRO SWITCH.

LSZ SERIES
CHART 1

THIRD ANGLE PROJECTION	SCALE NONE	DO NOT SCALE PRINT
TOLERANCES	UNLESS OTHERWISE SPECIFIED	
FRACTIONS	±.0005	
DECIMALS	±.0002	
ANGLES	±.005	
SPACES	±.0005	
DESIGN UNITS	INCHES	
ASSEMBLY	ASSEMBLY	
WEIGHT	WEIGHT	