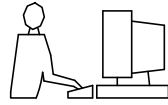
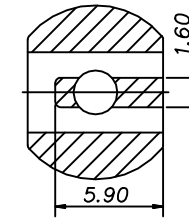
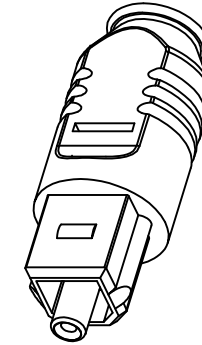
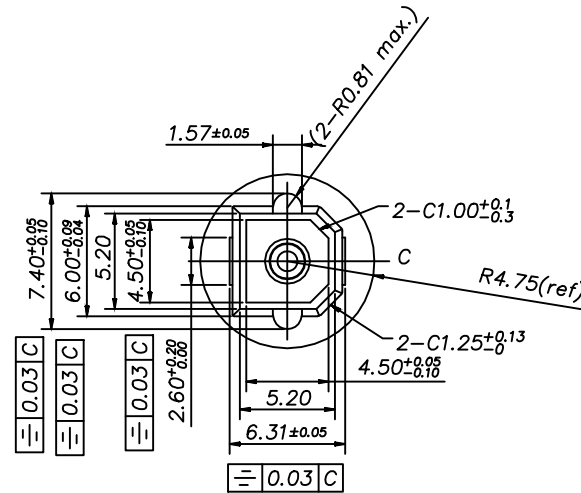
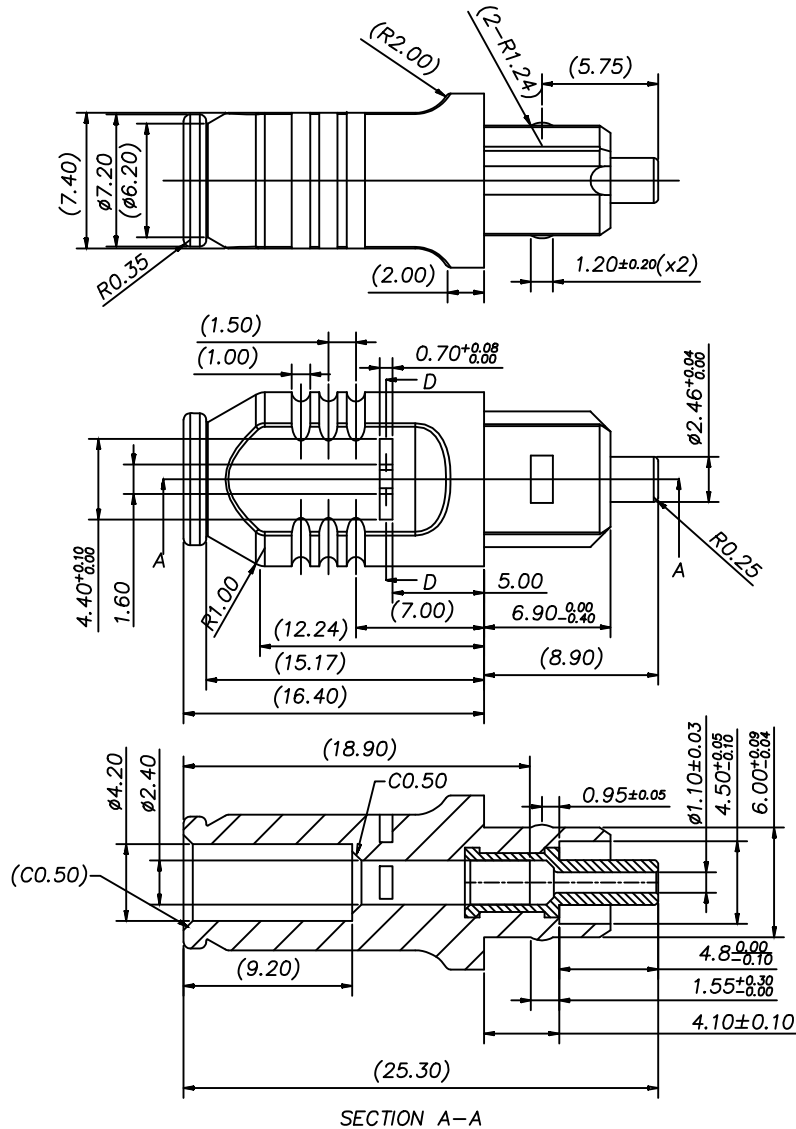


THIS IS A C.A.D. GENERATED DRAWING
DO NOT MAKE MANUAL REVISIONS TO MASTER.



* UNLESS OTHERWISE SPECIFIED TOLERANCES
ON DECIMAL IS: ANGLE .X ±2°
.XX ±0.10
.X ±0.20
.XX ±0.10
.XXX ±0.05

UNIT: MM



NOTES:

- MATERIAL : PBT G.F.15%(UL94-V0),
Pantone Black C.

THESE DRAWINGS AND SPECIFICATIONS ARE THE PROPERTY OF MH CONNECTORS AND SHALL NOT BE REPRODUCED, COPIED OR USED AS THE BASIS FOR THE MANUFACTURE OR SALE OF APPARATUS WITHOUT WRITTEN PERMISSION.

DRAWN JOHNNY		DATE 07-27-15	
APPROVED		DATE	
SCALE	SHEET OF 1 OF 1	REV: 2.0	
DRAWING No MHA22T-MA22V			



THIS SERIES FULLY CONFORMS TO THE EUROPEAN UNION DIRECTIVES 2002/95/EC AND 2002/96/EC FOR RoHS COMPLIANCY.



MH CONNECTORS,
DIVISION OF EDAC