

Customer Information Sheet

DRAWING No.: Z80-058 SHEET 2 OF 2

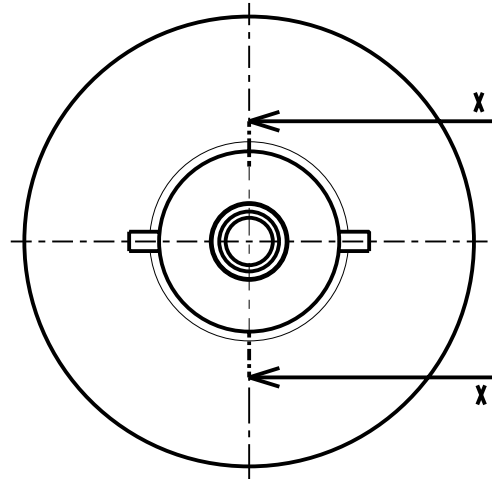
IF IN DOUBT - ASK



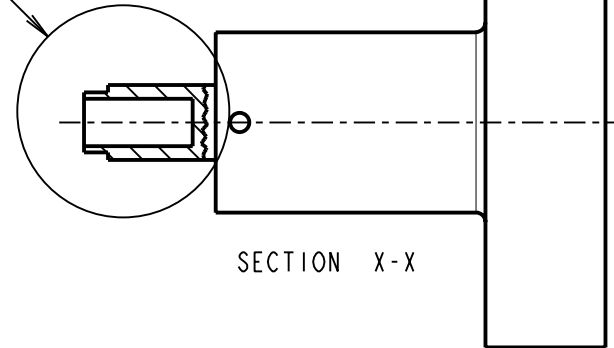
NOT TO SCALE

THIRD ANGLE PROJECTION

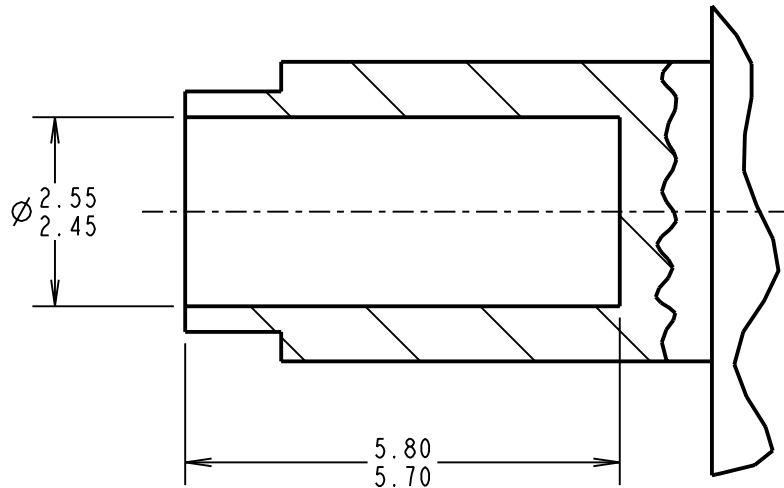
ALL DIMENSIONS IN mm



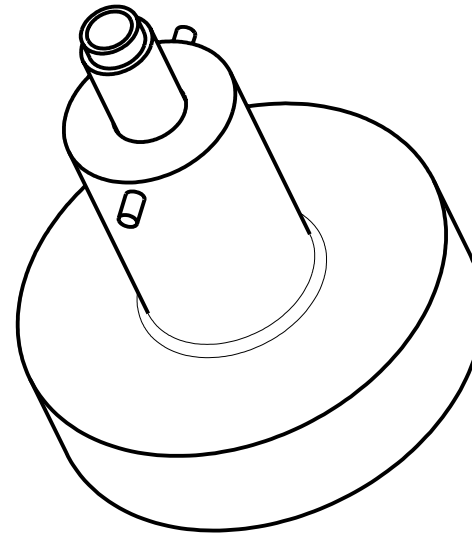
SEE DETAIL A



SECTION X-X



DETAIL A
SCALE 10



- NOTES:
1. INSTRUCTION SHEETS ARE AVAILABLE FOR THIS TOOL. REFER TO INSTRUCTION SHEET IS-01.
 2. FOR USE WITH M80-05500XX.

SB	2	05.04.11	11213
NAME	ISS.	DATE	C/NOTE
APPROVED:		S.BENNETT	
CHECKED:		R.ADDE	
DRAWN:		S.BENNETT	
CUSTOMER REF.:			
ASSEMBLY DRG:			

HARWIN

HARWIN USA TEL: 603 893 5376 FAX: 603 893 5396 mis@harwin.com	HARWIN Europe (UK) TEL: 023 9231 4545 FAX: 023 9231 4590 mis@harwin.co.uk	HARWIN Asia TEL: +65 6 779 4909 FAX: +65 6 779 3868 mis@harwin.com.sg
--	--	--

THIS DRAWING AND ANY INFORMATION OR DESCRIPTIVE MATTER SET OUT HEREON ARE CONFIDENTIAL AND COPYRIGHT PROPERTY OF THE HARWIN GROUP AND MUST NOT BE DISCLOSED, LOANED, COPIED OR USED FOR MANUFACTURING, TENDERING OR FOR ANY OTHER PURPOSE WITHOUT THEIR WRITTEN PERMISSION.

TOLERANCES
X. = ±1mm
X.X = ±0.25mm
X.XX = ±0.10mm
X.XXX = ±0.01mm
ANGLES = ±5°
UNLESS STATED

MATERIAL:
FINISH: CLEAN
S/AREA: mm²

TITLE: DATAMATE 3 ROW POWER CONTACT CRIMP POSITIONER
DRAWING NUMBER: Z80-058

SHT 2 OF 2