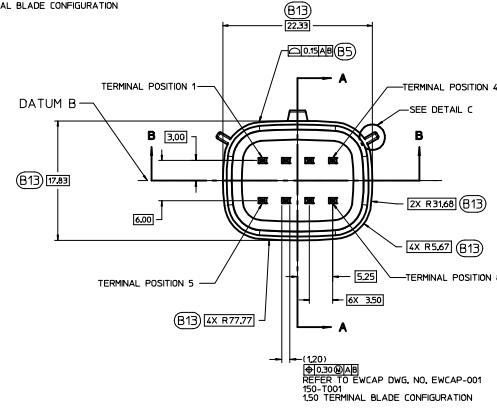
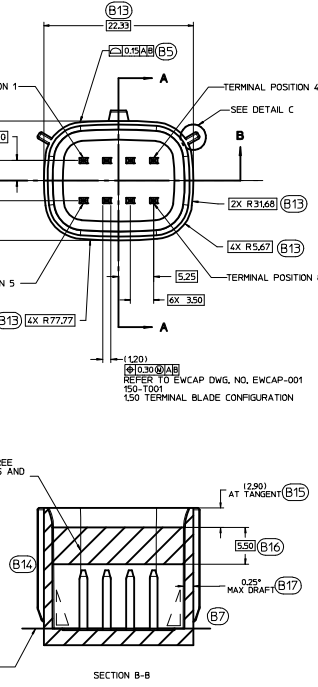
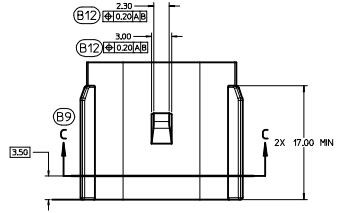
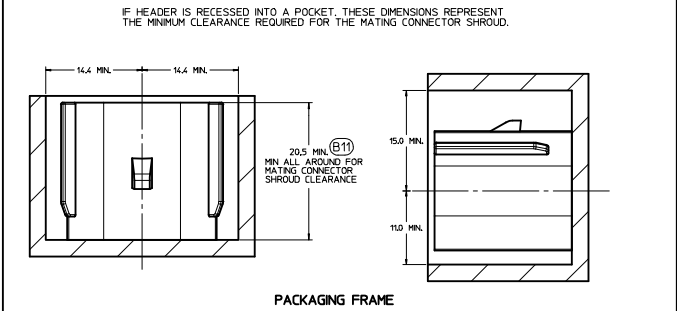


(0.805)
 (0.20) (A/B) AT BASE
 (0.30) (A/B) AT TIP
 REFER TO EWCAP DWG. NO. EWCAP-001
 150-1001
 150 TERMINAL BLADE CONFIGURATION



(B19)
 SURFACE MUST BE FREE
 OF SURFACE DEFECTS AND
 PARTING LINES FOR
 SEALING ALL AROUND

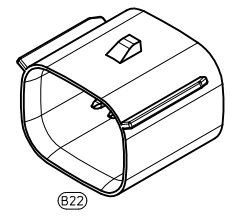
CONSTRUCTION BELOW THIS SURFACE IS
 NOT CONTROLLED BY EWCAP. NO PLASTIC
 FEATURES MAY EXTEND ABOVE THIS SURFACE.



IF HEADER IS RECESSED INTO A POCKET, THESE DIMENSIONS REPRESENT
 THE MINIMUM CLEARANCE REQUIRED FOR THE MATING CONNECTOR SHROUD.

NOTICE
 THIS DRAWING OR PORTIONS OF IT, ARE CONTROLLED BY THE
 ELECTRICAL WIRING COMPONENTS APPLICATION PARTNERSHIP
 (EWCAP), A SUBGROUP OF THE UNITED STATES
 CONSORTIUM FOR AUTOMOTIVE RESEARCH LLC (USCAR). USCAR
 IS A PARTNERSHIP BETWEEN CHRYSLER GROUP LLC,
 FORD MOTOR COMPANY, AND GENERAL MOTORS CORPORATION
 ANY CHANGE TO A EWCAP CONTROLLED PORTION OF THIS
 DRAWING, INCLUDING A "RECORD CHANGE" MUST BE APPROVED,
 IN WRITING, BY THE RESPONSIBLE EWCAP MEMBER FROM
 EACH USCAR COMPANY. EACH EWCAP MEMBER AUTHORIZED
 TO SIGN FOR HIS OR HER COMPANY IS RESPONSIBLE FOR
 OBTAINING ALL NECESSARY APPROVALS WITHIN THAT COMPANY
 PRIOR TO SIGNING FOR APPROVAL OF THE CHANGE.
 EWCAP EXPRESSLY PROHIBITS ANY PARTY FROM CHANGING
 EITHER ANY EWCAP CONTROLLED PORTION OF THIS DRAWING
 OR ANY ASSOCIATED TOOLING BEFORE RECEIVING AN
 APPROVAL SIGNED BY AN AUTHORIZED REPRESENTATIVE
 FROM EACH EWCAP PARTNER. REFERENCE TO THE SIGNED
 APPROVAL FORM MUST BE ENTERED IN THIS DRAWING'S
 CONTROL COLUMN.

NOTES: UNLESS OTHERWISE SPECIFIED (B18)
 1. ALL DIMENSIONS SHOWN IN MILLIMETERS.
 2. DIMENSIONING AND TOLERANCING PER ASME Y14.5M-1994
 3. 0.25 RADI ON ALL CORNERS SHOWN SHARP.
 4. UNSPECIFIED RADI: 0.25 EXCEPT AS NOTED.
 5. STANDARD COLORS FOR POLARIZATION (SEE CHART).
 DEVIATION REQUIRES APPROVAL OF AUTHORIZED PERSON.
 6. REFER TO "SAE/USCAR 12 CONNECTOR GUIDELINES"
 FOR ADDITIONAL REQUIREMENTS.
 7. EXCEPT WHERE NOTED, DRAFT ON OUTSIDE SURFACES IS PERMISSIBLE
 WITHIN TOLERANCE.
 8. ≡ S YMBOL INDICATES DRAFT DIRECTION.
 9. FOR TERNING MATERIAL DIMENSIONAL AND COATING REQUIREMENTS
 AND ANY BLADE TERMINAL DESIGN INFORMATION NOT SHOWN ON THIS
 DRAWING SEE EWCAP DRW. NO. EWCAP-001
 10. A FULL SHROUD ON THE MATING CONNECTOR IS REQUIRED
 TO INSURE THAT THE CONNECTOR-HEADER POLARIZATION
 FEATURES OPTIONS A THRU D WILL FUNCTION. THE FULL
 SHROUD ALSO PREVENTS SCOP DAMAGE TO THE HEADER
 PINS. REFER TO "SAE/USCAR-12 CONNECTOR DESIGN
 GUIDE LINES" FOR ADDITIONAL INFORMATION.
 11. REFER TO USCAR/EWCAP PART LIST AS FOUND ON WEBSITE
<http://www.uscarcorp.com>
 12. THIS IS A 100% CAD GENERATED PART. THE CAD MATHEMATICAL DATA
 IS THE MASTER FOR THIS PART. FOR DIMENSIONAL OR ANY INFORMATION
 NOT SHOWN ON THIS DRAWING, ANALYZE THE CAD MODEL.



150-S-008-2-002	D	BLACK
150-S-008-2-002	C	DK GRAY
150-S-008-2-802	B	LT GRAY
150-S-008-2-A02	A	BLACK
EWCAP P/N	OPTION	MATING CONNECTOR COLOR

DATE	BY	CHK	DESCRIPTION
03-21-12	KC	MV	CHANGED ISO VIEW SCALE TO 4:1 WAS 1:1
10-17-07	MV	DG	ADDED PARTING LINE NOTE TO DETAIL A
			REMOVED NOTE BACK ANGLE OPTIONAL FROM 1:1
			CORRECTED CHRYSLER GROUP LLC NOMENCLATURE
			MOVED NOTE TO SECTION B-B
			UPDATED NOTES
			REMOVED 15.20 AND 2.50 FROM SECTION A-A
			ADDED DRAFT ANGLE ALL AROUND
			ADDED (3.50)
			ADDED AT TANGENT NOTE
			REMOVED DATUM D
			ADDED BASIC DIMENSIONS FOR PROFILE CONTROL
			ADDED (0.10) (A/B)
			DIMENSIONED TO DATUM A
			SEALING SURFACE DIMENSIONS MOVED TO SECTION C-C
			ADDED SECTION C-C
			ADDED 0.25 MAX DRAFT ANGLE ALL AROUND
			REMOVED 0.20 ±0.10-0.20 ALL AROUND
			REPLACED WALL THICKNESS CONTROL WITH DRAFFLE OF A SURFACE
			ADDED R16.71
			ADDED 0.25 ±0.15 ALL AROUND
			UPDATED CONNECTOR COLORS
			SURFACE 17 RELOCATED TO (3.50) WAS AT 8.20

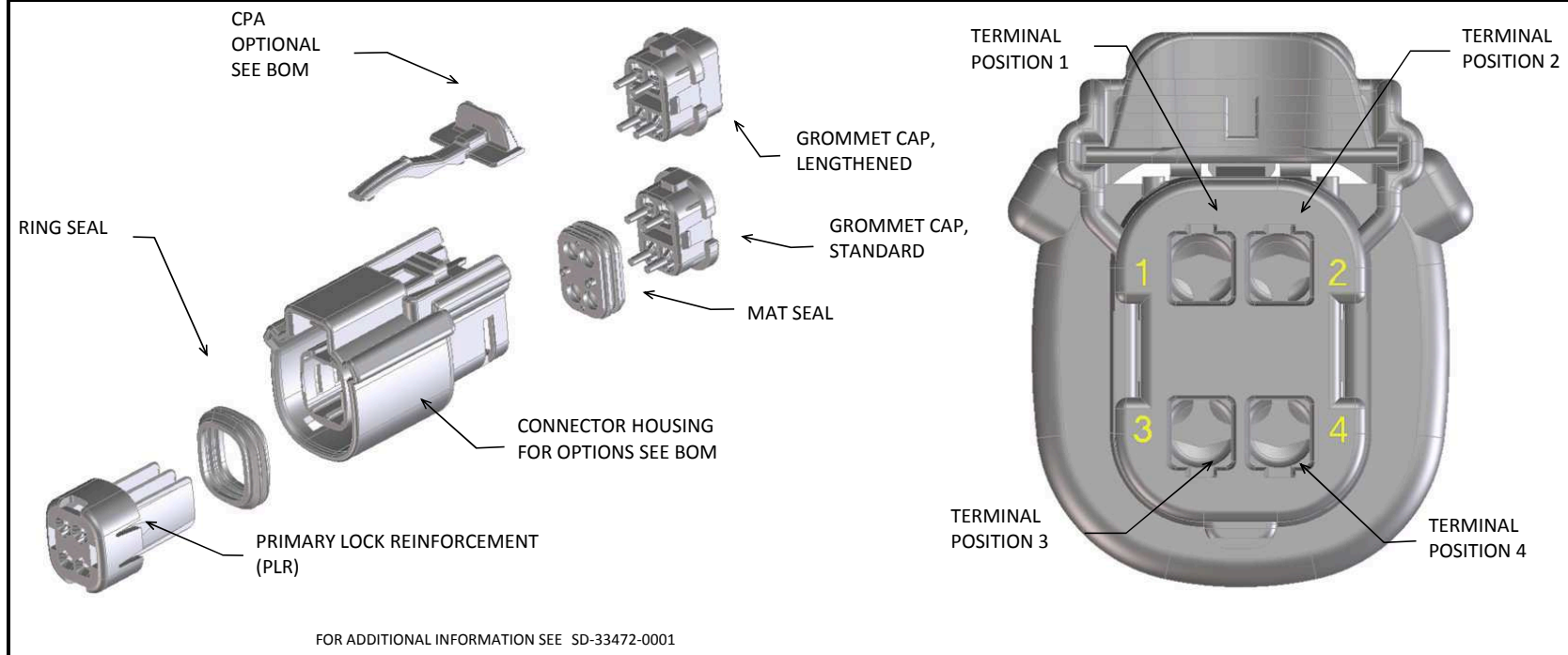
DATE	BY	CHK	DESCRIPTION
03-21-12	KC	MV	RELEASED

DATE	BY	CHK	DESCRIPTION
03-21-12	KLUNNINGHAM	MANSLAMBROUCK	LET

SCALE	DRAWN BY	DATE	DWG NO.	REV	DESCRIPTION
4:1	KLUNNINGHAM	DECEMBER 14	150-S-008-2-202	1	DO NOT SCALE DRAWING CONVERT UNITS AND DIMENSIONS

TOLERANCES UNLESS OTHERWISE SPECIFIED		1500 ANGLE PRECISION	
DIMENSIONS ARE IN MILLIMETERS			
ANGLES		°	
x ±0.2	±0.3	±0.3	±0.10
EWCAP DIRECT CONNECT INTERFACE 8 WAY (2 X 4) 1.5 MM SEALED MALE			
DRAWN	DATE	REV	BY
10F1	150-S-008-2-202	E	DO NOT SCALE DRAWING CONVERT UNITS AND DIMENSIONS

**MX150 RECEPTACLE 2X2 SEALED ASSEMBLY MAT SEAL
BOM AND PIN OUT SHEET**



ABBREVIATION	DESCRIPTION	COLOR	MATERIAL
A-BLK	HOUSING, KEYING OPTION A	BLACK	SPS/NYLON GF20
B-LG	HOUSING, KEYING OPTION B	LIGHT GRAY	SPS/NYLON GF20
C-BR	HOUSING, KEYING OPTION C	BROWN	SPS/NYLON GF20
D-GR	HOUSING, KEYING OPTION D	GREEN	SPS/NYLON GF20
C-DG	HOUSING, KEYING OPTION C	DARK GRAY	SPS/NYLON GF20
D-SG	HOUSING, KEYING OPTION D	STONE GRAY	SPS/NYLON GF20
A-YW	HOUSING, KEYING OPTION A	YELLOW	SPS/NYLON GF20
GCP	GROMMET CAP (STANDARD PLUGGED)	BLACK	SPS/NYLON GF20
GCO	GROMMET CAP (STANDARD OPEN)	BLACK	SPS/NYLON GF20
GCLP	GROMMET CAP (LENGTHENED PLUGGED)	BLACK	SPS/NYLON GF20
GCLO	GROMMET CAP (LENGTHENED OPEN)	BLACK	SPS/NYLON GF20
PLR	PLR	NATURAL	SPS/NYLON GF20
CPA	CPA	RED	PBT GF20
M	MAT SEAL	RUST RED	INHERENTLY LUBRICATED SILICONE
R	RING SEAL	GREEN	INHERENTLY LUBRICATED SILICONE

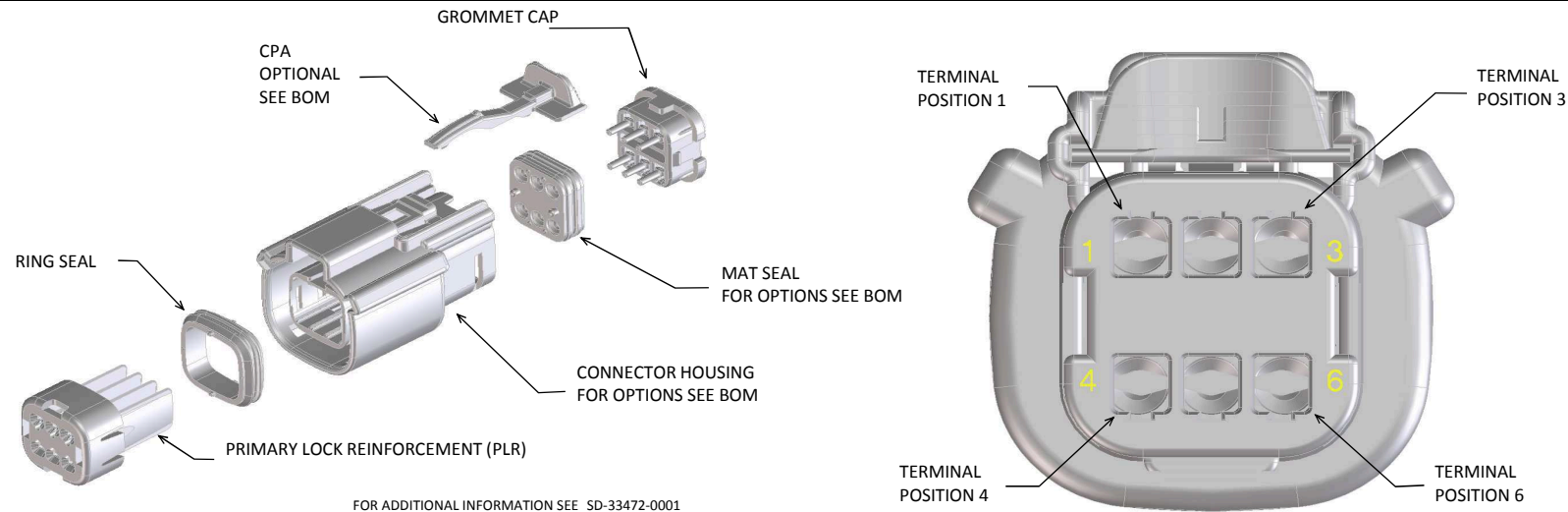
FOR ADDITIONAL INFORMATION SEE SD-33472-0001

ASSEMBLY DESCRIPTION	ASSEMBLY PART NUMBER	COMPONENT						BLOCKED TERMINALS																STATUS	COMMENTS	OPTIONAL ATTACHMENTS SOLD SEPERATELY		
		THE PRESENCE OF AN ABBREVIATION INDICATES THE PRESENCE OF THAT COMPONENT.							CAVITY WITH A NUMBER INDICATES BLOCKED TERMINAL POSITION CAVITY WITHOUT A NUMBER INDICATES OPEN TERMINAL POSITION																	BACKSHELL WITH RIBS	BACKSHELL WITHOUT RIBS	
		HOUSING KEY/COLOR	GROMMET CAP	PLR	CPA	MAT SEAL	RING SEAL	1	2	3	4																	
KEY A, BLACK, W/O CPA	33472-4001	A-BLK	GCO	PLR		M	R																		NOT VALIDATED			
KEY B, LIGHT GRAY, W/O CPA	33472-4002	B-LG	GCO	PLR		M	R																			NOT VALIDATED		
KEY C, BROWN, W/O CPA	33472-4003	C-BR	GCO	PLR		M	R																		NOT RECOMMENDED	SEE 33472-4042		
KEY D, GREEN, W/O CPA	33472-4004	D-GR	GCO	PLR		M	R																		NOT RECOMMENDED	SEE 33472-4043		
KEY A, BLACK, W/CPA	33472-4006	A-BLK	GCO	PLR	CPA	M	R																		NOT VALIDATED			
KEY B, LIGHT GRAY, W/CPA	33472-4007	B-LG	GCO	PLR	CPA	M	R																		NOT VALIDATED			
KEY C, BROWN, W/CPA	33472-4008	C-BR	GCO	PLR	CPA	M	R																		NOT RECOMMENDED	SEE 33472-4044		
KEY D, GREEN, W/CPA	33472-4009	D-GR	GCO	PLR	CPA	M	R																		NOT RECOMMENDED	SEE 33472-4045		
KEY A, BLACK, W/O CPA	33472-4031	A-BLK	GCP	PLR		M	R	1	2	3	4														NOT VALIDATED			
KEY B, LIGHT GRAY, W/O CPA	33472-4032	B-LG	GCP	PLR		M	R	1	2	3	4														NOT VALIDATED			
KEY C, BROWN, W/O CPA	33472-4033	C-BR	GCP	PLR		M	R	1	2	3	4														NOT RECOMMENDED	SEE 33472-4046		
KEY D, GREEN, W/O CPA	33472-4034	D-GR	GCP	PLR		M	R	1	2	3	4														NOT RECOMMENDED	SEE 33472-4047		
KEY A, BLACK, W/O CPA	33472-4101	A-BLK	GCLO	PLR		M	R																		NOT VALIDATED			
KEY B, LIGHT GRAY, W/O CPA	33472-4102	B-LG	GCLO	PLR		M	R																		NOT VALIDATED			
KEY C, DARK GRAY, W/O CPA	33472-4103	C-DG	GCLO	PLR		M	R																		NOT VALIDATED			
KEY D, STONE GRAY, W/O CPA	33472-4104	D-SG	GCLO	PLR		M	R																		NOT VALIDATED			
KEY A, BLACK, W/CPA	33472-4105	A-BLK	GCLO	PLR	CPA	M	R																		NOT VALIDATED			
KEY B, LIGHT GRAY, W/CPA	33472-4106	B-LG	GCLO	PLR	CPA	M	R																		NOT VALIDATED			
KEY C, DARK GRAY, W/CPA	33472-4107	C-DG	GCLO	PLR	CPA	M	R																		NOT VALIDATED			
KEY D, STONE GRAY, W/CPA	33472-4108	D-SG	GCLO	PLR	CPA	M	R																		NOT VALIDATED			
KEY A, BLACK, W/O CPA	33472-4109	A-BLK	GCLP	PLR		M	R	1	2	3	4														NOT VALIDATED			
KEY B, LIGHT GRAY, W/O CPA	33472-4110	B-LG	GCLP	PLR		M	R	1	2	3	4														NOT VALIDATED			
KEY C, DARK GRAY, W/O CPA	33472-4111	C-DG	GCLP	PLR		M	R	1	2	3	4														NOT VALIDATED			
KEY D, STONE GRAY, W/O CPA	33472-4112	D-SG	GCLP	PLR		M	R	1	2	3	4														NOT VALIDATED			
OBSOLETE	33472-4113																								OBSOLETE			
OBSOLETE	33472-4114																								OBSOLETE			
OBSOLETE	33472-4115																								OBSOLETE			
OBSOLETE	33472-4116																								OBSOLETE			
OBSOLETE	33472-4117																								OBSOLETE			
KEY A, BLACK, W/O CPA	33472-4035	A-BLK	GCP	PLR		M	R		2	3															NOT VALIDATED			
KEY A, BLACK, W/O CPA	33472-4036	A-BLK	GCP	PLR		M	R	1	2	3															NOT VALIDATED			
KEY A, BLACK, W/O CPA	33472-4037	A-BLK	GCP	PLR		M	R			3	4														NOT VALIDATED			
KEY A, BLACK, W/O CPA	33472-4038	A-BLK	GCP	PLR		M	R			3															NOT VALIDATED			
KEY A, BLACK, W/O CPA	33472-4039	A-BLK	GCP	PLR		M	R				4														NOT VALIDATED			
KEY A, BLACK, W/O CPA	33472-4040	A-BLK	GCP	PLR		M	R		2																NOT VALIDATED			
KEY A, BLACK, W/O CPA	33472-4041	A-BLK	GCP	PLR		M	R	1	2																NOT VALIDATED			
KEY C, DARK GRAY, W/O CPA	33472-4042	C-DG	GCO	PLR		M	R																		NOT VALIDATED			
KEY D, STONE GRAY, W/O CPA	33472-4043	D-SG	GCO	PLR		M	R																		NOT VALIDATED			
KEY C, DARK GRAY, W/CPA	33472-4044	C-DG	GCO	PLR	CPA	M	R																		NOT VALIDATED			
KEY D, STONE GRAY, W/CPA	33472-4045	D-SG	GCO	PLR	CPA	M	R																		NOT VALIDATED			
KEY C, DARK GRAY, W/O CPA	33472-4046	C-DG	GCP	PLR		M	R	1	2	3	4														NOT VALIDATED			
KEY D, STONE GRAY, W/O CPA	33472-4047	D-SG	GCP	PLR		M	R	1	2	3	4														NOT VALIDATED			
KEY A, BLACK, W/O CPA	33472-4048	A-BLK	GCP	PLR		M	R		2		4														NOT VALIDATED			
KEY A, BLACK, W/CPA	33472-4049	A-BLK	GCP	PLR	CPA	M	R		2																NOT VALIDATED			
KEY A, BLACK, W/CPA	33472-4050	A-BLK	GCP	PLR	CPA	M	R			3															NOT VALIDATED			
KEY A, BLACK, W/CPA	33472-4051	A-BLK	GCP	PLR	CPA	M	R				4														NOT VALIDATED			

**MX150 RECEPTACLE 2X2 SEALED ASSEMBLY MAT SEAL
BOM AND PIN OUT SHEET**

ASSEMBLY DESCRIPTION	ASSEMBLY PART NUMBER	COMPONENT						BLOCKED TERMINALS										STATUS	COMMENTS	OPTIONAL ATTATCHMENTS SOLD SEPERATELY		
		THE PRESENCE OF AN ABBREVIATION INDICATES THE PRESENCE OF THAT COMPONENT.						CAVITY WITH A NUMBER INDICATES BLOCKED TERMINAL POSITION CAVITY WITHOUT A NUMBER INDICATES OPEN TERMINAL POSITION												BACKSHELL WITH RIBS	BACKSHELL WITHOUT RIBS	
		HOUSING KEY/COLOR	GROMMET CAP	PLR	CPA	MAT SEAL	RING SEAL	1	2	3	4											
KEY A, BLACK, W/O CPA	33472-4052	A-BLK	GCP	PLR		M	R		2		4									NOT VALIDATED		
KEY A, YELLOW, W/CPA	33472-4053	A-YW	GCO	PLR	CPA	M	R													NOT VALIDATED		
KEY A, BLACK, W/O CPA	33472-4054	A-BLK	GCP	PLR		M	R	1		3										NOT VALIDATED		
KEY B, LIGHT GRAY, W/CPA	33472-4055	B-LG	GCP	PLR	CPA	M	R	1												NOT VALIDATED		
KEY A, BLACK, W/O CPA	33472-4056	A-BLK	GCP	PLR		M	R	1												NOT VALIDATED		

**MX150 RECEPTACLE 2X3 SEALED ASSEMBLY MAT SEAL
BOM AND PIN OUT SHEET**



FOR ADDITIONAL INFORMATION SEE SD-33472-0001

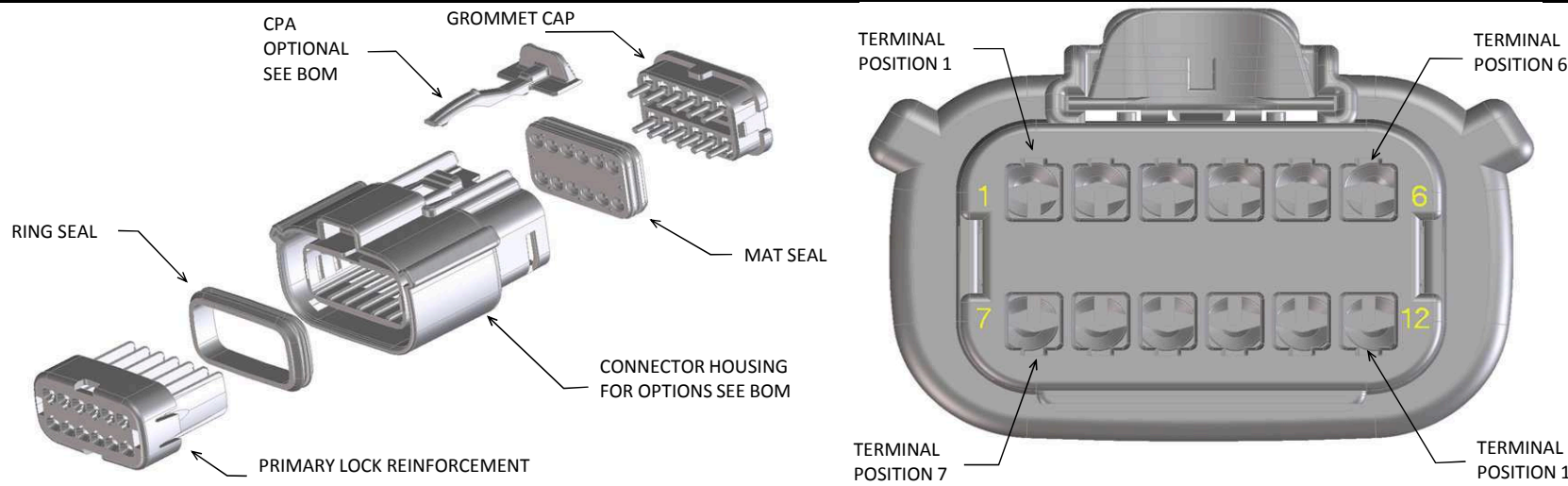
ABBREVIATION	DESCRIPTION	COLOR	MATERIAL
A-BLK	HOUSING, KEYING OPTION A	BLACK	SPS/NYLON GF20
B-LG	HOUSING, KEYING OPTION B	LIGHT GRAY	SPS/NYLON GF20
C-BR	HOUSING, KEYING OPTION C	BROWN	SPS/NYLON GF20
D-GR	HOUSING, KEYING OPTION D	GREEN	SPS/NYLON GF20
C-DG	HOUSING, KEYING OPTION C	DARK GRAY	SPS/NYLON GF20
D-SG	HOUSING, KEYING OPTION D	STONE GRAY	SPS/NYLON GF20
A-YW	HOUSING, KEYING OPTION A	YELLOW	SPS/NYLON GF20
A-BLK-CLIP	HOUSING, KEYING OPTION A WITH CLIPSLOT	BLACK	SPS/NYLON GF20
B-LG-CLIP	HOUSING, KEYING OPTION B WITH CLIPSLOT	LIGHT GRAY	SPS/NYLON GF20
C-BR-CLIP	HOUSING, KEYING OPTION C WITH CLIPSLOT	BROWN	SPS/NYLON GF20
D-GR-CLIP	HOUSING, KEYING OPTION D WITH CLIPSLOT	GREEN	SPS/NYLON GF20
C-DG-CLIP	HOUSING, KEYING OPTION C WITH CLIPSLOT	DARK GRAY	SPS/NYLON GF20
D-SG-CLIP	HOUSING, KEYING OPTION D WITH CLIPSLOT	STONE GRAY	SPS/NYLON GF20
A-SG-CLIP	HOUSING, KEYING OPTION A WITH CLIPSLOT	YELLOW	SPS/NYLON GF20
GC	GROMMET CAP		
PLR	PLR	BLACK	SPS/NYLON GF20
CPA	CPA	NATURAL	SPS/NYLON GF20
M	MAT SEAL	RED	PBT GF20
R	RING SEAL	LIGHT BLUE	INHERENTLY LUBRICATED SILICONE
		RUST RED	INHERENTLY LUBRICATED SILICONE

ASSEMBLY DESCRIPTION	ASSEMBLY PART NUMBER	COMPONENT							BLOCKED TERMINALS						STATUS	COMMENTS	OPTIONAL ATTACHMENTS SOLD SEPERATELY	
		THE PRESENCE OF AN ABBREVIATION INDICATES THE PRESENCE OF THAT COMPONENT.							CAVITY WITH A NUMBER INDICATES BLOCKED TERMINAL POSITION CAVITY WITHOUT A NUMBER INDICATES OPEN TERMINAL POSITION								BACKSHELL WITH RIBS	BACKSHELL WITHOUT RIBS
		HOUSING KEY/COLOR	GROMMET CAP	PLR	CPA	MAT SEAL	RING SEAL	1	2	3	4	5	6					
KEY A, BLACK, W/O CPA	33472-0601	A-BLK	GC	PLR		M	R								SALEABLE		34951-0610	34951-0620
KEY B, LIGHT GRAY, W/O CPA	33472-0602	B-LG	GC	PLR		M	R								SALEABLE		34951-0610	34951-0620
KEY C, BROWN, W/O CPA	33472-0603	C-BR	GC	PLR		M	R								NOT RECOMMENDED	SEE P/N 33472-0669	34951-0610	34951-0620
KEY D, GREEN, W/O CPA	33472-0604	D-GR	GC	PLR		M	R								NOT RECOMMENDED	SEE P/N 33472-0668	34951-0610	34951-0620
VOID KEY	33472-0605																	
KEY A, BLACK, W/CPA	33472-0606	A-BLK	GC	PLR	CPA	M	R								SALEABLE		34951-0610	34951-0620
KEY B, LIGHT GRAY, W/CPA	33472-0607	B-LG	GC	PLR	CPA	M	R								SALEABLE		34951-0610	34951-0620
KEY C, BROWN, W/CPA	33472-0608	C-BR	GC	PLR	CPA	M	R								NOT RECOMMENDED	SEE P/N 33472-0670	34951-0610	34951-0620
KEY D, GREEN, W/CPA	33472-0609	D-GR	GC	PLR	CPA	M	R								NOT RECOMMENDED	SEE P/N 33472-0671	34951-0610	34951-0620
VOID KEY	33472-0610																	
KEY A, BLACK, W/O CPA	33472-0611	A-BLK	GC	PLR		M	R			3					SALEABLE	SAME AS P/N 33472-0658	34951-0610	34951-0620
KEY B, LIGHT GRAY, W/O CPA	33472-0612	B-LG	GC	PLR		M	R			3					SALEABLE		34951-0610	34951-0620
KEY C, BROWN, W/O CPA	33472-0613	C-BR	GC	PLR		M	R			3					NOT RECOMMENDED		34951-0610	34951-0620
KEY D, GREEN, W/O CPA	33472-0614	D-GR	GC	PLR		M	R			3					NOT RECOMMENDED		34951-0610	34951-0620
VOID KEY	33472-0615																	
KEY A, BLACK, W/CPA	33472-0616	A-BLK	GC	PLR	CPA	M	R			3					SALEABLE		34951-0610	34951-0620
KEY B, LIGHT GRAY, W/CPA	33472-0617	B-LG	GC	PLR	CPA	M	R			3					SALEABLE		34951-0610	34951-0620
KEY C, BROWN, W/CPA	33472-0618	C-BR	GC	PLR	CPA	M	R			3					NOT RECOMMENDED		34951-0610	34951-0620
KEY D, GREEN, W/CPA	33472-0619	D-GR	GC	PLR	CPA	M	R			3					NOT RECOMMENDED		34951-0610	34951-0620
VOID KEY	33472-0620																	
KEY A, BLACK, W/O CPA	33472-0621	A-BLK	GC	PLR		M	R			3	4				SALEABLE		34951-0610	34951-0620
KEY B, LIGHT GRAY, W/O CPA	33472-0622	B-LG	GC	PLR		M	R			3	4				SALEABLE		34951-0610	34951-0620
KEY C, BROWN, W/O CPA	33472-0623	C-BR	GC	PLR		M	R			3	4				NOT RECOMMENDED		34951-0610	34951-0620
KEY D, GREEN, W/O CPA	33472-0624	D-GR	GC	PLR		M	R			3	4				NOT RECOMMENDED		34951-0610	34951-0620
VOID KEY	33472-0625																	
KEY A, BLACK, W/CPA	33472-0626	A-BLK	GC	PLR	CPA	M	R			3	4				SALEABLE		34951-0610	34951-0620
KEY B, LIGHT GRAY, W/CPA	33472-0627	B-LG	GC	PLR	CPA	M	R			3	4				SALEABLE		34951-0610	34951-0620
KEY C, BROWN, W/CPA	33472-0628	C-BR	GC	PLR	CPA	M	R			3	4				NOT RECOMMENDED		34951-0610	34951-0620
KEY D, GREEN, W/CPA	33472-0629	D-GR	GC	PLR	CPA	M	R			3	4				NOT RECOMMENDED		34951-0610	34951-0620
VOID KEY	33472-0630																	
KEY A, BLACK, W/O CPA, W/O MAT SEAL	33472-0631	A-BLK	GC	PLR			R								NOT VALIDATED		34951-0610	34951-0620
KEY B, LIGHT GRAY, W/O CPA, W/O MAT SEAL	33472-0632	B-LG	GC	PLR			R								NOT VALIDATED		34951-0610	34951-0620
KEY C, BROWN, W/O CPA, W/O MAT SEAL	33472-0633	C-BR	GC	PLR			R								NOT RECOMMENDED	NOT VALIDATED	34951-0610	34951-0620
KEY D, GREEN, W/O CPA, W/O MAT SEAL	33472-0634	D-GR	GC	PLR			R								NOT RECOMMENDED	NOT VALIDATED	34951-0610	34951-0620
VOID KEY	33472-0635																	
KEY A, BLACK, W/O CPA	33472-0636	A-BLK	GC	PLR		M	R	1	2	3	4	5	6		SALEABLE		34951-0610	34951-0620
KEY B, LIGHT GRAY, W/O CPA	33472-0637	B-LG	GC	PLR		M	R	1	2	3	4	5	6		SALEABLE		34951-0610	34951-0620
KEY C, BROWN, W/O CPA	33472-0638	C-BR	GC	PLR		M	R	1	2	3	4	5	6		NOT RECOMMENDED		34951-0610	34951-0620
KEY D, GREEN, W/O CPA	33472-0639	D-GR	GC	PLR		M	R	1	2	3	4	5	6		NOT RECOMMENDED		34951-0610	34951-0620
VOID KEY	33472-0640																	
KEY A, BLACK, W/O CPA	33472-0641	A-BLK	GC	PLR		M	R		2	3	4	5			SALEABLE		34951-0610	34951-0620
KEY A, BLACK, W/CPA	33472-0642	A-BLK	GC	PLR		M	R				4				SALEABLE		34951-0610	34951-0620
KEY A, BLACK, W/CPA	33472-0643	A-BLK	GC	PLR	CPA	M	R	1		3	4				SALEABLE		34951-0610	34951-0620
KEY B, LIGHT GRAY, W/CPA	33472-0644	B-LG	GC	PLR	CPA	M	R	1		3	4				SALEABLE		34951-0610	34951-0620
KEY C, BROWN, W/CPA	33472-0645	C-BR	GC	PLR	CPA	M	R	1		3	4				NOT RECOMMENDED		34951-0610	34951-0620
KEY D, GREEN, W/CPA	33472-0646	D-GR	GC	PLR	CPA	M	R	1		3	4				NOT RECOMMENDED		34951-0610	34951-0620
VOID KEY	33472-0647																	
KEY A, BLACK, W/O CPA	33472-0648	A-BLK	GC	PLR		M	R	1		3	4			6	SALEABLE		34951-0610	34951-0620
KEY B, LIGHT GRAY, W/O CPA	33472-0649	B-LG	GC	PLR		M	R	1		3	4			6	SALEABLE		34951-0610	34951-0620
KEY C, BROWN, W/O CPA	33472-0650	C-BR	GC	PLR		M	R	1		3	4			6	NOT RECOMMENDED		34951-0610	34951-0620
KEY D, GREEN, W/O CPA	33472-0651	D-GR	GC	PLR		M	R	1		3	4			6	NOT RECOMMENDED		34951-0610	34951-0620
VOID KEY	33472-0652																	
KEY A, BLACK, W/CPA	33472-0653	A-BLK	GC	PLR	CPA	M	R	1		3	4			6	SALEABLE		34951-0610	34951-0620
KEY B, LIGHT GRAY, W/CPA	33472-0654	B-LG	GC	PLR	CPA	M	R	1		3	4			6	SALEABLE		34951-0610	34951-0620
KEY C, BROWN, W/CPA	33472-0655	C-BR	GC	PLR	CPA	M	R	1		3	4			6	NOT RECOMMENDED		34951-0610	34951-0620
KEY D, GREEN, W/CPA	33472-0656	D-GR	GC	PLR	CPA	M	R	1		3	4			6	NOT RECOMMENDED		34951-0610	34951-0620

MX150 RECEPTACLE 2X3 SEALED ASSEMBLY MAT SEAL
BOM AND PIN OUT SHEET

ASSEMBLY DESCRIPTION	ASSEMBLY PART NUMBER	COMPONENT						BLOCKED TERMINALS						STATUS	COMMENTS	OPTIONAL ATTACHMENTS SOLD SEPERATELY			
		THE PRESENCE OF AN ABBREVIATION INDICATES THE PRESENCE OF THAT COMPONENT.						CAVITY WITH A NUMBER INDICATES BLOCKED TERMINAL POSITION CAVITY WITHOUT A NUMBER INDICATES OPEN TERMINAL POSITION								BACKSHELL WITH RIBS	BACKSHELL WITHOUT RIBS		
		HOUSING KEY/COLOR	GROMMET CAP	PLR	CPA	MAT SEAL	RING SEAL	1	2	3	4	5	6						
VOID KEY	33472-0657																		
KEY A, BLACK, W/O CPA	33472-0658	A-BLK	GC	PLR		M	R			3				5	6	SALEABLE		34951-0610	34951-0620
KEY A, BLACK, W/O CPA	33472-0659	A-BLK	GC	PLR		M	R			3				5	6	SALEABLE		34951-0610	34951-0620
KEY A, BLACK, W/CPA	33472-0660	A-BLK	GC	PLR	CPA	M	R	1		2	3	4		5	6	SALEABLE		34951-0610	34951-0620
KEY A, BLACK, W/O CPA	33472-0661	A-BLK	GC	PLR		M	R			2						SALEABLE		34951-0610	34951-0620
KEY A, BLACK, W/O CPA	33472-0662	A-BLK	GC	PLR		M	R			2				5		SALEABLE		34951-0610	34951-0620
KEY A, BLACK, W/O CPA	33472-0663	A-BLK	GC	PLR		M	R							5	6	SALEABLE		34951-0610	34951-0620
KEY A, BLACK, W/O CPA	33472-0664	A-BLK	GC	PLR		M	R					4		5	6	SALEABLE		34951-0610	34951-0620
KEY A, BLACK, W/O CPA	33472-0665	A-BLK	GC	PLR		M	R	1								SALEABLE		34951-0610	34951-0620
KEY A, BLACK, W/O CPA	33472-0666	A-BLK	GC	PLR		M	R			2				5	6	SALEABLE		34951-0610	34951-0620
KEY A, BLACK, W/O CPA	33472-0667	A-BLK	GC	PLR		M	R	1			3			5	6	SALEABLE		34951-0610	34951-0620
KEY C, DARK GRAY, W/O CPA	33472-0668	C-DG	GC	PLR		M	R									SALEABLE		34951-0610	34951-0620
KEY D, STONE GRAY, W/O CPA	33472-0669	D-SG	GC	PLR		M	R									SALEABLE		34951-0610	34951-0620
KEY C, DARK GRAY, W/CPA	33472-0670	C-DG	GC	PLR	CPA	M	R									SALEABLE		34951-0610	34951-0620
KEY D, STONE GRAY, W/CPA	33472-0671	D-SG	GC	PLR	CPA	M	R									SALEABLE		34951-0610	34951-0620
KEY B, LIGHT GRAY, W/O CPA	33472-0672	B-LG	GC	PLR		M	R							5		SALEABLE		34951-0610	34951-0620
KEY A, BLACK, W/O CPA	33472-0673	A-BLK	GC	PLR		M	R								6	SALEABLE		34951-0610	34951-0620
KEY A, BLACK, W/CPA	33472-0674	A-BLK	GC	PLR	CPA	M	R							5	6	SALEABLE		34951-0610	34951-0620
KEY A, BLACK, W/CPA	33472-0675	A-BLK	GC	PLR	CPA	M	R								6	SALEABLE		34951-0610	34951-0620
KEY B, LIGHT GRAY, W/CPA	33472-0676	B-LG	GC	PLR	CPA	M	R	1						5		SALEABLE		34951-0610	34951-0620
KEY B, LIGHT GRAY, W/O CPA	33472-0677	B-LG	GC	PLR		M	R	1						5		SALEABLE		34951-0610	34951-0620
KEY B, LIGHT GRAY, W/O CPA	33472-0678	B-LG	GC	PLR		M	R							5	6	SALEABLE		34951-0610	34951-0620
KEY A, BLACK, W/CPA	33472-0679	A-BLK	GC	PLR	CPA	M	R	1		2	3					SALEABLE		34951-0610	34951-0620
KEY A, BLACK, W/O CPA	33472-0680	A-BLK	GC	PLR		M	R	3		2	3					SALEABLE		34951-0610	34951-0620
KEY A, BLACK, W/CPA	33472-0681	A-BLK	GC	PLR	CPA	M	R			2						SALEABLE		34951-0610	34951-0620
KEY A, YELLOW, W/CPA	33472-0682	A-YW	GC	PLR	CPA	M	R									SALEABLE		34951-0610	34951-0620
KEY A, BLACK, W/O CPA	33472-0683	A-BLK	GC	PLR		M	R				3	4		5	6	SALEABLE		34951-0610	34951-0620
KEY A, BLACK, W/CPA	33472-0684	A-BLK	GC	PLR	CPA	M	R				2	3				SALEABLE		34951-0610	34951-0620
KEY B, LIGHT GRAY, W/CPA	33472-0685	B-LG	GC	PLR	CPA	M	R	1		2	3	4		5	6	SALEABLE		34951-0610	34951-0620
KEY B, LIGHT GRAY, W/CPA	33472-0686	B-LG	GC	PLR	CPA	M	R			2	3					SALEABLE		34951-0610	34951-0620
KEY A, BLACK, W/O CPA	33472-0687	A-BLK	GC	PLR		M	R	1			3	4				SALEABLE		34951-0610	34951-0620
KEY A, BLACK, W/CPA	33472-0688	A-BLK	GC	PLR	CPA	M	R							4	5	SALEABLE		34951-0610	34951-0620
KEY A, BLACK, W/CPA	33472-0689	A-BLK	GC	PLR	CPA	M	R							4		SALEABLE		34951-0610	34951-0620
KEY B, LIGHT GRAY, W/CPA	33472-0690	B-LG	GC	PLR	CPA	M	R					4				SALEABLE		34951-0610	34951-0620
KEY A, BLACK, W/CPA	33472-0691	A-BLK	GC	PLR	CPA	M	R	1			3			5		SALEABLE		34951-0610	34951-0620
KEY A, BLACK, W/CPA	33472-0692	A-BLK	GC	PLR	CPA	M	R			2		4			6	SALEABLE		34951-0610	34951-0620
KEY A, BLACK, WITH CLIPSLOT, W/O CPA	33472-0701	A-BLK-CLIP	GC	PLR		M	R									SALEABLE			
KEY B, LIGHT GRAY, WITH CLIPSLOT, W/O CPA	33472-0702	B-LG-CLIP	GC	PLR		M	R									TOOLED BUT NOT VALIDATED			
KEY C, BROWN, WITH CLIPSLOT, W/O CPA	33472-0703	C-BR-CLIP	GC	PLR		M	R									NOT RECOMMENDED--SEE P/N 33472-0714			
KEY D, GREEN, WITH CLIPSLOT, W/O CPA	33472-0704	D-GR-CLIP	GC	PLR		M	R									NOT RECOMMENDED--SEE P/N 33472-0715			
KEY A, BLACK, WITH CLIPSLOT, W/CPA	33472-0705	A-BLK-CLIP	GC	PLR	CPA	M	R									SALEABLE			
KEY B, LIGHT GRAY, WITH CLIPSLOT, W/CPA	33472-0706	B-LG-CLIP	GC	PLR	CPA	M	R									TOOLED BUT NOT VALIDATED			
KEY C, BROWN, WITH CLIPSLOT, W/CPA	33472-0707	C-BR-CLIP	GC	PLR	CPA	M	R									NOT RECOMMENDED--SEE P/N 33472-0716			
KEY D, GREEN, WITH CLIPSLOT, W/CPA	33472-0708	D-GR-CLIP	GC	PLR	CPA	M	R									NOT RECOMMENDED--SEE P/N 33472-0717			
KEY A, BLACK, WITH CLIPSLOT, W/O CPA	33472-0709	A-BLK-CLIP	GC	PLR		M	R				3					SALEABLE			
KEY A, BLACK, WITH CLIPSLOT, W/O CPA	33472-0710	A-BLK-CLIP	GC	PLR		M	R			2	3	4		5		SALEABLE			
KEY A, BLACK, WITH CLIPSLOT, W/O CPA	33472-0711	A-BLK-CLIP	GC	PLR		M	R							5	6	SALEABLE			
KEY A, BLACK, WITH CLIPSLOT, W/O CPA	33472-0712	A-BLK-CLIP	GC	PLR		M	R					3	4			SALEABLE			
KEY B, LIGHT GRAY, WITH CLIPSLOT, W/O CPA	33472-0713	B-LG-CLIP	GC	PLR		M	R	1						5		TOOLED BUT NOT VALIDATED			
KEY C, DARK GRAY, WITH CLIPSLOT, W/O CPA	33472-0714	C-DG-CLIP	GC	PLR		M	R									SALEABLE			
KEY D, STONE GRAY, WITH CLIPSLOT, W/O CPA	33472-0715	D-SG-CLIP	GC	PLR		M	R									SALEABLE			
KEY C, DARK GRAY, WITH CLIPSLOT, W/CPA	33472-0716	C-DG-CLIP	GC	PLR	CPA	M	R									SALEABLE			
KEY D, STONE GRAY, WITH CLIPSLOT, W/CPA	33472-0717	D-SG-CLIP	GC	PLR	CPA	M	R									SALEABLE			
KEY A, BLACK, WITH CLIPSLOT, W/O CPA	33472-0718	A-BLK-CLIP	GC	PLR		M	R					3			6	SALEABLE			
KEY B, LIGHT GRAY, WITH CLIPSLOT, W/CPA	33472-0719	B-LG-CLIP	GC	PLR	CPA	M	R	1						5		TOOLED BUT NOT VALIDATED			
KEY B, LIGHT GRAY, WITH CLIPSLOT, W/O CPA	33472-0720	B-LG-CLIP	GC	PLR		M	R							5		TOOLED BUT NOT VALIDATED			
KEY C, DARK GRAY, WITH CLIPSLOT, W/O CPA	33472-0721	C-DG-CLIP	GC	PLR		M	R					3				SALEABLE			
KEY A, BLACK, WITH CLIPSLOT, W/O CPA	33472-0722	A-BLK-CLIP	GC	PLR		M	R							4	5	SALEABLE			
KEY A, BLACK, WITH CLIPSLOT, W/O CPA	33472-0723	A-BLK-CLIP	GC	PLR		M	R			2	3			5	6	SALEABLE			
KEY A, BLACK, WITH CLIPSLOT, W/O CPA	33472-0724	A-BLK-CLIP	GC	PLR		M	R			2					6	SALEABLE			
KEY A, BLACK, WITH CLIPSLOT, W/O CPA	33472-0725	A-BLK-CLIP	GC	PLR		M	R					3		5	6	SALEABLE			
KEY A, BLACK, WITH CLIPSLOT, W/O CPA	33472-0726	A-BLK-CLIP	GC	PLR		M	R								6	SALEABLE			
KEY A, BLACK, WITH CLIPSLOT, W/O CPA	33472-0727	A-BLK-CLIP	GC	PLR		M	R								6	SALEABLE			
KEY A, BLACK, WITH CLIPSLOT, W/O CPA	33472-0728	A-BLK-CLIP	GC	PLR		M	R				1	2	3	4	5	SALEABLE			
KEY A, BLACK, WITH CLIPSLOT, W/O CPA	33472-0729	A-BLK-CLIP	GC	PLR		M	R	1		2	3	4		5	6	SALEABLE			
KEY A, BLACK, WITH CLIPSLOT, W/O CPA	33472-0730	A-BLK-CLIP	GC	PLR		M	R								4	SALEABLE			
KEY A, BLACK, WITH CLIPSLOT, W/O CPA	33472-0731	A-BLK-CLIP	GC	PLR		M	R								4	SALEABLE			
KEY B, LIGHT GRAY, WITH CLIPSLOT, W/O CPA	33472-0732	B-LG-CLIP	GC	PLR		M	R							4	5	SALEABLE		34951-0610	34951-0620

**MX150 RECEPTACLE 2X6 SEALED ASSEMBLY MAT SEAL
BOM AND PIN OUT SHEET**



ABBREVIATION	DESCRIPTION	COLOR	MATERIAL
A-BLK	HOUSING, KEYING OPTION A	BLACK	SPS/NYLON GF20
B-LG	HOUSING, KEYING OPTION B	LIGHT GRAY	SPS/NYLON GF20
C-BR	HOUSING, KEYING OPTION C	BROWN	SPS/NYLON GF20
D-GR	HOUSING, KEYING OPTION D	GREEN	SPS/NYLON GF20
C-DG	HOUSING, KEYING OPTION C	DARK GRAY	SPS/NYLON GF20
D-SG	HOUSING, KEYING OPTION C	STONE GRAY	SPS/NYLON GF20
A-YW	HOUSING, KEYING OPTION A	YELLOW	SPS/NYLON GF20
A-BLK-CLIP	HOUSING, KEYING OPTION A WITH CLIPSLOT	BLACK	SPS/NYLON GF20
B-LG-CLIP	HOUSING, KEYING OPTION B WITH CLIPSLOT	LIGHT GRAY	SPS/NYLON GF20
C-BR-CLIP	HOUSING, KEYING OPTION C WITH CLIPSLOT	BROWN	SPS/NYLON GF20
D-GR-CLIP	HOUSING, KEYING OPTION D WITH CLIPSLOT	GREEN	SPS/NYLON GF20
C-DG-CLIP	HOUSING, KEYING OPTION C WITH CLIPSLOT	DARK GRAY	SPS/NYLON GF20
D-SG-CLIP	HOUSING, KEYING OPTION C WITH CLIPSLOT	STONE GRAY	SPS/NYLON GF20
GC	GROMMET CAP	BLACK	SPS/NYLON GF20
PLR	PLR	NATURAL	SPS/NYLON GF20
CPA	CPA	RED	PBT GF20
M	MAT SEAL	LIGHT BLUE	INHERENTLY LUBRICATED SILICONE
R	RING SEAL	GREEN	INHERENTLY LUBRICATED SILICONE

FOR ADDITIONAL INFORMATION SEE SD-33472-0001

ASSEMBLY DESCRIPTION	ASSEMBLY PART NUMBER	COMPONENT							BLOCKED TERMINALS												STATUS	COMMENTS	OPTIONAL ATTACHMENTS SOLD SEPERATELY				
		THE PRESENCE OF AN ABBREVIATION INDICATES THE PRESENCE OF THAT COMPONENT.							CAVITY WITH A NUMBER INDICATES BLOCKED TERMINAL POSITION CAVITY WITHOUT A NUMBER INDICATES OPEN TERMINAL POSITION														BACKSHELL WITH RIBS	BACKSHELL WITHOUT RIBS			
		HOUSING KEY/COLOR	GROMMET CAP	PLR	CPA	MAT SEAL	RING SEAL	1	2	3	4	5	6	7	8	9	10	11	12								
KEY A, BLACK, W/O CPA	33472-1201	A-BLK	GC	PLR		M	R																	SALEABLE		34951-1210	34951-1220
KEY B, LIGHT GRAY, W/O CPA	33472-1202	B-LG	GC	PLR		M	R																	SALEABLE		34951-1210	34951-1220
KEY C, BROWN, W/O CPA	33472-1203	C-BR	GC	PLR		M	R																	NOT RECOMMENDED	SEE P/N 33472-1253	34951-1210	34951-1220
KEY D, GREEN, W/O CPA	33472-1204	D-GR	GC	PLR		M	R																	NOT RECOMMENDED	SEE P/N 33472-1254	34951-1210	34951-1220
VOID KEY	33472-1205																										
KEY A, BLACK, W/CPA	33472-1206	A-BLK	GC	PLR	CPA	M	R																	SALEABLE		34951-1210	34951-1220
KEY B, LIGHT GRAY, W/CPA	33472-1207	B-LG	GC	PLR	CPA	M	R																	SALEABLE		34951-1210	34951-1220
KEY C, BROWN, W/CPA	33472-1208	C-BR	GC	PLR	CPA	M	R																	NOT RECOMMENDED	SEE P/N 33472-1259	34951-1210	34951-1220
KEY D, GREEN, W/CPA	33472-1209	D-GR	GC	PLR	CPA	M	R																	NOT RECOMMENDED	SEE P/N 33472-1260	34951-1210	34951-1220
VOID KEY	33472-1210																										
KEY A, BLACK, W/O CPA	33472-1211	A-BLK	GC	PLR		M	R						6											SALEABLE		34951-1210	34951-1220
KEY B, LIGHT GRAY, W/O CPA	33472-1212	B-LG	GC	PLR		M	R						6											SALEABLE		34951-1210	34951-1220
KEY C, BROWN, W/O CPA	33472-1213	C-BR	GC	PLR		M	R						6											NOT RECOMMENDED		34951-1210	34951-1220
KEY D, GREEN, W/O CPA	33472-1214	D-GR	GC	PLR		M	R						6											NOT RECOMMENDED		34951-1210	34951-1220
VOID KEY	33472-1215																										
KEY A, BLACK, W/CPA	33472-1216	A-BLK	GC	PLR	CPA	M	R						6											SALEABLE		34951-1210	34951-1220
KEY B, LIGHT GRAY, W/CPA	33472-1217	B-LG	GC	PLR	CPA	M	R						6											SALEABLE		34951-1210	34951-1220
KEY C, BROWN, W/CPA	33472-1218	C-BR	GC	PLR	CPA	M	R						6											NOT RECOMMENDED		34951-1210	34951-1220
KEY D, GREEN, W/CPA	33472-1219	D-GR	GC	PLR	CPA	M	R						6											NOT RECOMMENDED		34951-1210	34951-1220
VOID KEY	33472-1220																										
KEY A, BLACK, W/O CPA	33472-1221	A-BLK	GC	PLR		M	R						6	7										SALEABLE		34951-1210	34951-1220
KEY B, LIGHT GRAY, W/O CPA	33472-1222	B-LG	GC	PLR		M	R						6	7										SALEABLE		34951-1210	34951-1220
KEY C, BROWN, W/O CPA	33472-1223	C-BR	GC	PLR		M	R						6	7										NOT RECOMMENDED		34951-1210	34951-1220
KEY D, GREEN, W/O CPA	33472-1224	D-GR	GC	PLR		M	R						6	7										NOT RECOMMENDED		34951-1210	34951-1220
VOID KEY	33472-1225																										
KEY A, BLACK, W/CPA	33472-1226	A-BLK	GC	PLR	CPA	M	R						6	7										SALEABLE		34951-1210	34951-1220
KEY B, LIGHT GRAY, W/CPA	33472-1227	B-LG	GC	PLR	CPA	M	R						6	7										SALEABLE		34951-1210	34951-1220
KEY C, BROWN, W/CPA	33472-1228	C-BR	GC	PLR	CPA	M	R						6	7										NOT RECOMMENDED		34951-1210	34951-1220
KEY D, GREEN, W/CPA	33472-1229	D-GR	GC	PLR	CPA	M	R						6	7										NOT RECOMMENDED		34951-1210	34951-1220
VOID KEY	33472-1230																										
KEY A, BLACK, W/O CPA	33472-1231	A-BLK	GC	PLR		M	R	1					6	7										SALEABLE		34951-1210	34951-1220
KEY B, LIGHT GRAY, W/O CPA	33472-1232	B-LG	GC	PLR		M	R	1					6	7										SALEABLE		34951-1210	34951-1220
KEY C, BROWN, W/O CPA	33472-1233	C-BR	GC	PLR		M	R	1					6	7										NOT RECOMMENDED		34951-1210	34951-1220
KEY D, GREEN, W/O CPA	33472-1234	D-GR	GC	PLR		M	R	1					6	7										NOT RECOMMENDED		34951-1210	34951-1220
VOID KEY	33472-1235																										
KEY A, BLACK, W/CPA	33472-1236	A-BLK	GC	PLR	CPA	M	R	1					6	7										SALEABLE		34951-1210	34951-1220
KEY B, LIGHT GRAY, W/CPA	33472-1237	B-LG	GC	PLR	CPA	M	R	1					6	7										SALEABLE		34951-1210	34951-1220
KEY C, BROWN, W/CPA	33472-1238	C-BR	GC	PLR	CPA	M	R	1					6	7										NOT RECOMMENDED		34951-1210	34951-1220
KEY D, GREEN, W/CPA	33472-1239	D-GR	GC	PLR	CPA	M	R	1					6	7										NOT RECOMMENDED		34951-1210	34951-1220
VOID KEY	33472-1240																										
KEY A, BLACK, W/O CPA	33472-1241	A-BLK	GC	PLR		M	R	1					6	7								12		SALEABLE		34951-1210	34951-1220
KEY B, LIGHT GRAY, W/O CPA	33472-1242	B-LG	GC	PLR		M	R	1					6	7								12		SALEABLE		34951-1210	34951-1220
KEY C, BROWN, W/O CPA	33472-1243	C-BR	GC	PLR		M	R	1					6	7								12		NOT RECOMMENDED		34951-1210	34951-1220
KEY D, GREEN, W/O CPA	33472-1244	D-GR	GC	PLR		M	R	1					6	7								12		NOT RECOMMENDED		34951-1210	34951-1220
VOID KEY	33472-1245																										
KEY A, BLACK, W/CPA	33472-1246	A-BLK	GC	PLR	CPA	M	R	1					6	7								12		SALEABLE		34951-1210	34951-1220
KEY B, LIGHT GRAY, W/CPA	33472-1247	B-LG	GC	PLR	CPA	M	R	1					6	7								12		SALEABLE		34951-1210	34951-1220
KEY C, BROWN, W/CPA	33472-1248	C-BR	GC	PLR	CPA	M	R	1					6	7								12		NOT RECOMMENDED		34951-1210	34951-1220
KEY D, GREEN, W/CPA	33472-1249	D-GR	GC	PLR	CPA	M	R	1					6	7								12		NOT RECOMMENDED		34951-1210	34951-1220
VOID KEY	33472-1250																										
KEY A, BLACK, W/O CPA	33472-1251	A-BLK	GC	PLR		M	R						6											SALEABLE		34951-1210	34951-1220
KEY A, BLACK, W/CPA	33472-1252	A-BLK	GC	PLR	CPA	M	R										9	10						SALEABLE		34951-1210	34951-1220
KEY C, DARK GRAY, W/O CPA	33472-1253	C-DG	GC	PLR		M	R																	SALEABLE		34951-1210	34951-1220
KEY D, STONE GRAY, W/O CPA	33472-1254	D-SG	GC	PLR		M	R																	SALEABLE		34951-1210	34951-1220
KEY A, BLACK, W/CPA	33472-1255	A-BLK	GC	PLR	CPA	M	R															11		SALEABLE		34951-1210	34951-1220

BOM AND PIN OUT SHEET

ASSEMBLY DESCRIPTION	ASSEMBLY PART NUMBER	COMPONENT						BLOCKED TERMINALS												STATUS	COMMENTS	OPTIONAL ATTACHMENTS SOLD SEPERATELY		
		THE PRESENCE OF AN ABBREVIATION INDICATES THE PRESENCE OF THAT COMPONENT.						CAVITY WITH A NUMBER INDICATES BLOCKED TERMINAL POSITION CAVITY WITHOUT A NUMBER INDICATES OPEN TERMINAL POSITION														BACKSHELL WITH RIBS	BACKSHELL WITHOUT RIBS	
		HOUSING KEY/COLOR	GROMMET CAP	PLR	CPA	MAT SEAL	RING SEAL	1	2	3	4	5	6	7	8	9	10	11	12					
KEY A, BLACK, W/CPA	33472-1256	A-BLK	GC	PLR	CPA	M	R								9	10	11	12	SALEABLE		34951-1210	34951-1220		
KEY A, BLACK, W/O CPA	33472-1257	A-BLK	GC	PLR		M	R							8		10		12	SALEABLE		34951-1210	34951-1220		
KEY A, BLACK, W/O CPA	33472-1258	A-BLK	GC	PLR		M	R	1	2	3	4	5	6	7	8	9	10	11	12	SALEABLE		34951-1210	34951-1220	
KEY C, DARK GRAY, W/CPA	33472-1259	C-DG	GC	PLR	CPA	M	R												SALEABLE		34951-1210	34951-1220		
KEY D, STONE GRAY, W/CPA	33472-1260	D-SG	GC	PLR	CPA	M	R												SALEABLE		34951-1210	34951-1220		
KEY A, BLACK, W/O CPA	33472-1261	A-BLK	GC	PLR		M	R								9	10		12	SALEABLE		34951-1210	34951-1220		
KEY A, BLACK, W/CPA	33472-1262	A-BLK	GC	PLR	CPA	M	R							8	9	10	11	12	SALEABLE		34951-1210	34951-1220		
KEY B, LIGHT GRAY, W/CPA	33472-1263	B-LG	GC	PLR	CPA	M	R												SALEABLE		34951-1210	34951-1220		
KEY C, DARK GRAY, W/CPA	33472-1264	C-DG	GC	PLR	CPA	M	R										11	12	SALEABLE		34951-1210	34951-1220		
KEY D, STONE GRAY, W/CPA	33472-1265	D-SG	GC	PLR	CPA	M	R											12	SALEABLE		34951-1210	34951-1220		
KEY A, BLACK, W/CPA	33472-1266	A-BLK	GC	PLR	CPA	M	R											11	12	SALEABLE		34951-1210	34951-1220	
KEY D, STONE GRAY, W/CPA	33472-1267	D-SG	GC	PLR	CPA	M	R	1					6	7					SALEABLE		34951-1210	34951-1220		
KEY A, BLACK, W/CPA	33472-1268	A-BLK	GC	PLR	CPA	M	R	1						7					SALEABLE		34951-1210	34951-1220		
KEY A, BLACK, W/CPA	33472-1269	A-BLK	GC	PLR	CPA	M	R	1	2		4		6	7	8		10	11	12	SALEABLE		34951-1210	34951-1220	
KEY A, BLACK, W/CPA	33472-1270	A-BLK	GC	PLR	CPA	M	R							7				11	12	SALEABLE		34951-1210	34951-1220	
KEY A, BLACK, W/CPA	33472-1271	A-BLK	GC	PLR	CPA	M	R				4		6				10	11	12	SALEABLE		34951-1210	34951-1220	
KEY A, BLACK, W/CPA	33472-1272	A-BLK	GC	PLR	CPA	M	R						6		9	10	11	12	SALEABLE		34951-1210	34951-1220		
KEY A, BLACK, W/O CPA	33472-1273	A-BLK	GC	PLR		M	R							6					SALEABLE		34951-1210	34951-1220		
KEY A, BLACK, W/CPA	33472-1274	A-BLK	GC	PLR	CPA	M	R							6				11	12	SALEABLE		34951-1210	34951-1220	
KEY A, BLACK, W/O CPA	33472-1275	A-BLK	GC	PLR		M	R	1	2	3	4	5	6	8					SALEABLE		34951-1210	34951-1220		
KEY A, BLACK, W/O CPA	33472-1276	A-BLK	GC	PLR		M	R	1					6						SALEABLE		34951-1210	34951-1220		
KEY A, BLACK, W/O CPA	33472-1277	A-BLK	GC	PLR		M	R	1							7				12	SALEABLE		34951-1210	34951-1220	
KEY B, LIGHT GRAY, W/CPA	33472-1278	B-LG	GC	PLR	CPA	M	R									10	11		SALEABLE		34951-1210	34951-1220		
KEY A, BLACK, W/O CPA	33472-1279	A-BLK	GC	PLR		M	R											11	SALEABLE		34951-1210	34951-1220		
KEY A, BLACK, W/O CPA	33472-1280	A-BLK	GC	PLR		M	R			2									7	SALEABLE		34951-1210	34951-1220	
KEY A, BLACK, W/O CPA	33472-1281	A-BLK	GC	PLR		M	R	1			4									12	SALEABLE		34951-1210	34951-1220
KEY A, BLACK, W/CPA	33472-1282	A-BLK	GC	PLR	CPA	M	R	1	2				6	7	8				SALEABLE		34951-1210	34951-1220		
KEY A, BLACK, W/CPA	33472-1283	A-BLK	GC	PLR	CPA	M	R	1							7				12	SALEABLE		34951-1210	34951-1220	
KEY A, BLACK, W/CPA	33472-1284	A-BLK	GC	PLR	CPA	M	R	1	2	3	4	5	6	8					SALEABLE		34951-1210	34951-1220		
KEY A, BLACK, W/CPA	33472-1285	A-BLK	GC	PLR	CPA	M	R	1					6						SALEABLE		34951-1210	34951-1220		
KEY C, DARK GRAY, W/CPA	33472-1286	C-DG	GC	PLR	CPA	M	R	1					6	7					SALEABLE		34951-1210	34951-1220		
KEY A, BLACK, W/CPA	33472-1287	A-BLK	GC	PLR	CPA	M	R									10	11	12	SALEABLE		34951-1210	34951-1220		
KEY C, DARK GRAY, W/CPA	33472-1288	C-DG	GC	PLR	CPA	M	R												12	SALEABLE		34951-1210	34951-1220	
KEY C, DARK GRAY, W/CPA	33472-1289	C-DG	GC	PLR	CPA	M	R										9	10	11	12	SALEABLE		34951-1210	34951-1220
KEY A, BLACK, W/CPA	33472-1290	A-BLK	GC	PLR	CPA	M	R											9		SALEABLE		34951-1210	34951-1220	
KEY A, BLACK, W/CPA	33472-1291	A-BLK	GC	PLR	CPA	M	R	1					5	6	7	8				12	SALEABLE		34951-1210	34951-1220
KEY A, YELLOW, W/CPA	33472-1292	A-YW	GC	PLR	CPA	M	R													SALEABLE		34951-1210	34951-1220	
KEY A, BLACK, W/CPA	33472-1293	A-BLK	GC	PLR	CPA	M	R	1												SALEABLE		34951-1210	34951-1220	
KEY A, BLACK, W/CPA	33472-1294	A-BLK	GC	PLR	CPA	M	R				4				7	8				SALEABLE		34951-1210	34951-1220	
KEY D, STONE GRAY, W/CPA	33472-1295	D-SG	GC	PLR	CPA	M	R								8		10	12	SALEABLE		34951-1210	34951-1220		
KEY A, BLACK, W/CPA	33472-1296	A-BLK	GC	PLR	CPA	M	R								8	9	10	11	12	SALEABLE		34951-1210	34951-1220	
KEY A, BLACK, W/CPA	33472-1297	A-BLK	GC	PLR	CPA	M	R	1	2	3	4	5	6		9	10	11	12	SALEABLE		34951-1210	34951-1220		
KEY A, BLACK, WITH CLIPSLOT, W/O CPA	33472-1301	A-BLK-CLIP	GC	PLR		M	R													SALEABLE				
KEY B, LIGHT GRAY, WITH CLIPSLOT, W/O CPA	33472-1302	B-LG-CLIP	GC	PLR		M	R													SALEABLE				
KEY C, BROWN, WITH CLIPSLOT, W/O CPA	33472-1303	C-BR-CLIP	GC	PLR		M	R													NOT RECOMMENDED	SEE P/N 33472-1407			
KEY D, GREEN, WITH CLIPSLOT, W/O CPA	33472-1304	D-GR-CLIP	GC	PLR		M	R													NOT RECOMMENDED	SEE P/N 33472-1408			
VOID KEY	33472-1305																							
KEY A, BLACK, WITH CLIPSLOT, W/CPA	33472-1306	A-BLK-CLIP	GC	PLR	CPA	M	R													SALEABLE				
KEY B, LIGHT GRAY, WITH CLIPSLOT, W/CPA	33472-1307	B-LG-CLIP	GC	PLR	CPA	M	R													SALEABLE				
KEY C, BROWN, WITH CLIPSLOT, W/CPA	33472-1308	C-BR-CLIP	GC	PLR	CPA	M	R													NOT RECOMMENDED	SEE P/N 33472-1409			
KEY D, GREEN, WITH CLIPSLOT, W/CPA	33472-1309	D-GR-CLIP	GC	PLR	CPA	M	R													NOT RECOMMENDED	SEE P/N 33472-1410			
VOID KEY	33472-1310																							
KEY A, BLACK, WITH CLIPSLOT, W/O CPA	33472-1311	A-BLK-CLIP	GC	PLR		M	R	1	2	3	4	5	6	7	8	9	10	11	12	SALEABLE				
KEY B, LIGHT GRAY, WITH CLIPSLOT, W/O CPA	33472-1312	B-LG-CLIP	GC	PLR		M	R	1	2	3	4	5	6	7	8	9	10	11	12	SALEABLE				
KEY C, BROWN, WITH CLIPSLOT, W/O CPA	33472-1313	C-BR-CLIP	GC	PLR		M	R	1	2	3	4	5	6	7	8	9	10	11	12	NOT RECOMMENDED	SEE P/N 33472-1411			
KEY D, GREEN, WITH CLIPSLOT, W/O CPA	33472-1314	D-GR-CLIP	GC	PLR		M	R	1	2	3	4	5	6	7	8	9	10	11	12	NOT RECOMMENDED	SEE P/N 33472-1412			
VOID KEY	33472-1315																							
KEY A, BLACK, WITH CLIPSLOT, W/CPA	33472-1316	A-BLK-CLIP	GC	PLR	CPA	M	R	1	2	3	4	5	6	7	8	9	10	11	12	SALEABLE				
KEY B, LIGHT GRAY, WITH CLIPSLOT, W/CPA	33472-1317	B-LG-CLIP	GC	PLR	CPA	M	R	1	2	3	4	5	6	7	8	9	10	11	12	SALEABLE				
KEY C, BROWN, WITH CLIPSLOT, W/CPA	33472-1318	C-BR-CLIP	GC	PLR	CPA	M	R	1	2	3	4	5	6	7	8	9	10	11	12	NOT RECOMMENDED	SEE P/N 33472-1413			
KEY D, GREEN, WITH CLIPSLOT, W/CPA	33472-1319	D-GR-CLIP	GC	PLR	CPA	M	R	1	2	3	4	5	6	7	8	9	10	11	12	NOT RECOMMENDED	SEE P/N 33472-1414			
VOID KEY	33472-1320																							
KEY A, BLACK, WITH CLIPSLOT, W/O CPA	33472-1321	A-BLK-CLIP	GC	PLR		M	R			2	3				8					SALEABLE				
KEY A, BLACK, WITH CLIPSLOT, W/O CPA	33472-1322	A-BLK-CLIP	GC	PLR		M	R			2	3									SALEABLE				
KEY A, BLACK, WITH CLIPSLOT, W/O CPA	33472-1323	A-BLK-CLIP	GC	PLR		M	R																	

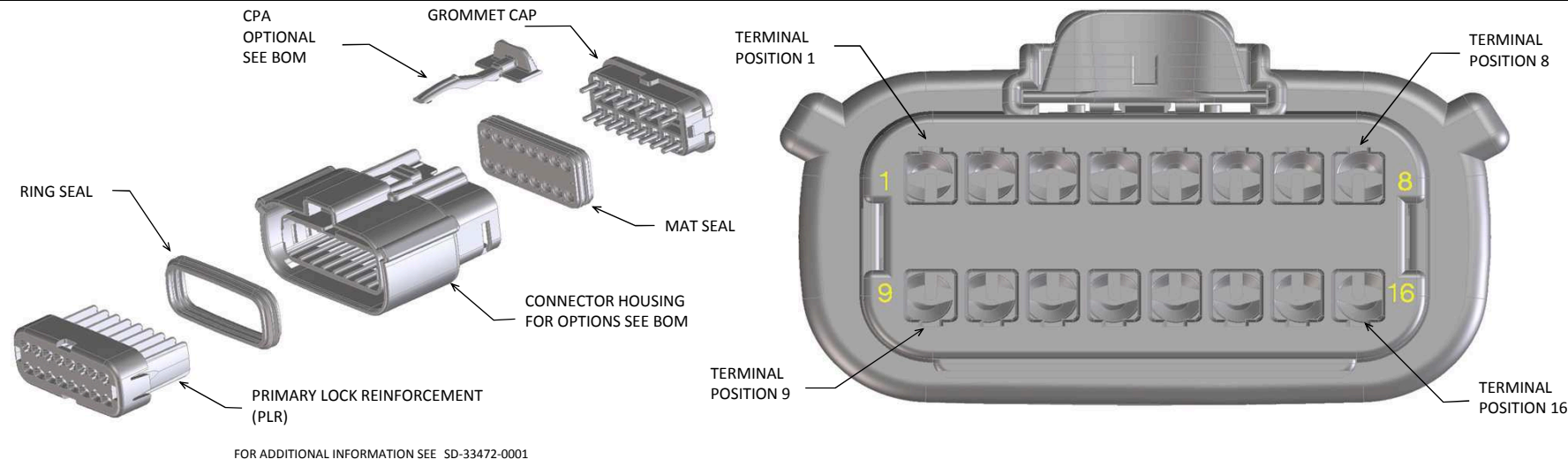
BOM AND PIN OUT SHEET

Table with columns: ASSEMBLY DESCRIPTION, ASSEMBLY PART NUMBER, COMPONENT (HOUSING KEY/COLOR, GROMMET CAP, PLR, CPA, MAT SEAL, RING SEAL), BLOCKED TERMINALS (1-12), STATUS, COMMENTS, and OPTIONAL ATTACHMENTS SOLD SEPARATELY (BACKSHELL WITH RIBS, BACKSHELL WITHOUT RIBS).

MX150 RECEPTACLE 2X6 SEALED ASSEMBLY MAT SEAL
BOM AND PIN OUT SHEET

ASSEMBLY DESCRIPTION	ASSEMBLY PART NUMBER	COMPONENT						BLOCKED TERMINALS												STATUS	COMMENTS	OPTIONAL ATTACHMENTS SOLD SEPERATELY	
		THE PRESENCE OF AN ABBREVIATION INDICATES THE PRESENCE OF THAT COMPONENT.						CAVITY WITH A NUMBER INDICATES BLOCKED TERMINAL POSITION CAVITY WITHOUT A NUMBER INDICATES OPEN TERMINAL POSITION														BACKSHELL WITH RIBS	BACKSHELL WITHOUT RIBS
		HOUSING KEY/COLOR	GROMMET CAP	PLR	CPA	MAT SEAL	RING SEAL	1	2	3	4	5	6	7	8	9	10	11	12				
KEY A, BLACK, WITH CLIPSLOT, W/O CPA	33472-1423	A-BLK-CLIP	GC	PLR		M	R	1	2	3	4	5	6	7	8	9				SALEABLE			
KEY A, BLACK, WITH CLIPSLOT, W/O CPA	33472-1424	A-BLK-CLIP	GC	PLR		M	R	1	2	3			6	7	8					SALEABLE			
KEY A, BLACK, WITH CLIPSLOT, W/O CPA	33472-1425	A-BLK-CLIP	GC	PLR		M	R				4						10			SALEABLE			
KEY A, BLACK, WITH CLIPSLOT, W/O CPA	33472-1426	A-BLK-CLIP	GC	PLR		M	R	1						8		10	11			SALEABLE			
KEY A, BLACK, WITH CLIPSLOT, W/O CPA	33472-1427	A-BLK-CLIP	GC	PLR		M	R	1	2			5	6							NOT RECOMMENDED	SEE P/N 33472-1433		
KEY A, BLACK, WITH CLIPSLOT, W/O CPA	33472-1428	A-BLK-CLIP	GC	PLR		M	R			3	4									NOT RECOMMENDED	SEE P/N 33472-1434		
KEY A, BLACK, WITH CLIPSLOT, W/O CPA	33472-1429	A-BLK-CLIP	GC	PLR		M	R	1	2	3	4									NOT RECOMMENDED	SEE P/N 33472-1435		
KEY A, BLACK, WITH CLIPSLOT, W/O CPA	33472-1430	A-BLK-CLIP	GC	PLR		M	R	1	2	3	4	5	6							NOT RECOMMENDED	SEE P/N 33472-1436		
KEY A, BLACK, WITH CLIPSLOT, W/CPA	33472-1431	A-BLK-CLIP	GC	PLR	CPA	M	R							7	8					SALEABLE			
KEY A, BLACK, WITH CLIPSLOT, W/O CPA	33472-1432	A-BLK-CLIP	GC	PLR		M	R			3	4	5	6			9	10	11		SALEABLE			
KEY C, DARK GRAY, WITH CLIPSLOT, W/O CPA	33472-1433	C-DG-CLIP	GC	PLR		M	R	1	2			5	6							SALEABLE			
KEY C, DARK GRAY, WITH CLIPSLOT, W/O CPA	33472-1434	C-DG-CLIP	GC	PLR		M	R			3	4									SALEABLE			
KEY C, DARK GRAY, WITH CLIPSLOT, W/O CPA	33472-1435	C-DG-CLIP	GC	PLR		M	R	1	2	3	4									SALEABLE			
KEY C, DARK GRAY, WITH CLIPSLOT, W/O CPA	33472-1436	C-DG-CLIP	GC	PLR		M	R	1	2	3	4	5	6							SALEABLE			
KEY A, BLACK, WITH CLIPSLOT, W/O CPA	33472-1437	A-BLK-CLIP	GC	PLR		M	R								8	9	10		12	SALEABLE			
KEY A, BLACK, WITH CLIPSLOT, W/O CPA	33472-1438	A-BLK-CLIP	GC	PLR		M	R	1	2		4				7	8	10		12	SALEABLE			
KEY A, BLACK, WITH CLIPSLOT, W/O CPA	33472-1439	A-BLK-CLIP	GC	PLR		M	R		2	3		5						11		SALEABLE			
KEY A, BLACK, WITH CLIPSLOT, W/O CPA	33472-1440	A-BLK-CLIP	GC	PLR		M	R	1	2	3						9		11		SALEABLE			
KEY A, BLACK, WITH CLIPSLOT, W/O CPA	33472-1441	A-BLK-CLIP	GC	PLR		M	R	1	2	3	PLR	5				9		11		SALEABLE			
KEY A, BLACK, WITH CLIPSLOT, W/O CPA	33472-1442	A-BLK-CLIP	GC	PLR		M	R	1	2	3	4	5		7	8					SALEABLE			
KEY A, BLACK, WITH CLIPSLOT, W/O CPA	33472-1443	A-BLK-CLIP	GC	PLR		M	R					5			8					SALEABLE			
KEY A, BLACK, WITH CLIPSLOT, W/O CPA	33472-1444	A-BLK-CLIP	GC	PLR		M	R		2			5				9				SALEABLE			
KEY A, BLACK, WITH CLIPSLOT, W/O CPA	33472-1445	A-BLK-CLIP	GC	PLR		M	R		2			5		7		9			12	SALEABLE			
KEY A, BLACK, WITH CLIPSLOT, W/O CPA	33472-1446	A-BLK-CLIP	GC	PLR		M	R									9				SALEABLE			
KEY A, BLACK, WITH CLIPSLOT, W/O CPA	33472-1447	A-BLK-CLIP	GC	PLR		M	R	1	2	3	4		6					11	12	SALEABLE			
KEY B, LIGHT GRAY, WITH CLIPSLOT, W/O CPA	33472-1448	B-LG-CLIP	GC	PLR		M	R	1	2	3	4	5			8	9	10	11	12	SALEABLE			
KEY B, LIGHT GRAY, WITH CLIPSLOT, W/O CPA	33472-1449	B-LG-CLIP	GC	PLR		M	R					5			8					SALEABLE			
KEY B, LIGHT GRAY, WITH CLIPSLOT, W/O CPA	33472-1450	B-LG-CLIP	GC	PLR		M	R					5			8	9	10	11	12	SALEABLE			
KEY B, LIGHT GRAY, WITH CLIPSLOT, W/O CPA	33472-1451	B-LG-CLIP	GC	PLR		M	R					5			8			11	12	SALEABLE			
KEY A, BLACK, WITH CLIPSLOT, W/CPA	33472-1452	A-BLK-CLIP	GC	PLR	CPA	M	R											11	12	SALEABLE			
KEY A, BLACK, WITH CLIPSLOT, W/O CPA	33472-1453	A-BLK-CLIP	GC	PLR		M	R		2						8					SALEABLE			
KEY A, BLACK, WITH CLIPSLOT, W/O CPA	33472-1454	A-BLK-CLIP	GC	PLR		M	R		2						8					SALEABLE			
KEY A, BLACK, WITH CLIPSLOT, W/O CPA	33472-1455	A-BLK-CLIP	GC	PLR		M	R	1	2	3	4	5	6		8		10	11	12	SALEABLE			
KEY A, BLACK, WITH CLIPSLOT, W/O CPA	33472-1457	A-BLK-CLIP	GC	PLR		M	R	1	2	3	4	5	6		8		10	11	12	SALEABLE			
KEY A, BLACK, WITH CLIPSLOT, W/O CPA	33472-1458	A-BLK-CLIP	GC	PLR		M	R	1		3		5	6		8	9	10	11	12	SALEABLE			
KEY A, BLACK, WITH CLIPSLOT, W/O CPA	33472-1459	A-BLK-CLIP	GC	PLR		M	R				4	5	6	7	8	9	10	11	12	SALEABLE			
KEY A, BLACK, WITH CLIPSLOT, W/O CPA	33472-1460	A-BLK-CLIP	GC	PLR		M	R				4			7	8	9	10	11	12	SALEABLE			
KEY A, BLACK, WITH CLIPSLOT, W/O CPA	33472-1461	A-BLK-CLIP	GC	PLR		M	R	1	2	3	4	5	6		8	9	10	11	12	SALEABLE			
KEY A, BLACK, W/O CPA	33472-1462	A-BLK	GC	PLR		M	R				4					9	10	11	12	SALEABLE			
KEY A, BLACK, W/O CPA	33472-1463	A-BLK	GC	PLR		M	R												12	SALEABLE			
KEY A, BLACK, W/O CPA	33472-1464	A-BLK	GC	PLR		M	R	1	2	3	4	5	6	7	8	9	10			SALEABLE			
KEY A, BLACK, W/CPA	33472-1465	A-BLK	GC	PLR	CPA	M	R					5				9		11	12	SALEABLE			
KEY A, BLACK, W/CPA	33472-1466	A-BLK	GC	PLR	CPA	M	R	1	2	3				6	7				11	12	SALEABLE		
KEY A, BLACK, W/CPA	33472-1467	A-BLK	GC	PLR	CPA	M	R	1	2					6	7	8	9	10	11	12	SALEABLE		
KEY A, BLACK, W/CPA	33472-1468	A-BLK	GC	PLR	CPA	M	R							6	7	8	9	10	11	12	SALEABLE		
KEY A, BLACK, WITH CLIPSLOT, W/O CPA	33472-1469	A-BLK-CLIP	GC	PLR		M	R				5	6	7			10		12		SALEABLE			
KEY A, BLACK, WITH CLIPSLOT, W/O CPA	33472-1470	A-BLK-CLIP	GC	PLR		M	R	1	2		4	5	6	7					12	SALEABLE			
KEY B, LIGHT GRAY, W/CPA	33472-1471	B-LG	GC	PLR	CPA	M	R					5								SALEABLE			
KEY A, BLACK, WITH CLIPSLOT, W/O CPA	33472-1472	A-BLK-CLIP	GC	PLR		M	R							7	8			11		SALEABLE			
KEY A, BLACK, WITH CLIPSLOT, W/O CPA	33472-1473	A-BLK-CLIP	GC	PLR		M	R	1	2	3	4					9	10	11		SALEABLE			
KEY A, BLACK, WITH CLIPSLOT, W/O CPA	33472-1474	A-BLK-CLIP	GC	PLR		M	R					5	6	7		9	10		12	SALEABLE			
KEY A, BLACK, W/CPA	33472-1475	A-BLK	GC	PLR	CPA	M	R		2	3	4				9					SALEABLE			
KEY A, BLACK, W/CPA	33472-1476	A-BLK	GC	PLR	CPA	M	R		2	3	4				9	10	11			SALEABLE			
KEY A, BLACK, WITH CLIPSLOT, W/O CPA	33472-1477	A-BLK-CLIP	GC	PLR		M	R					5								SALEABLE			
KEY A, BLACK, WITH CLIPSLOT, W/O CPA	33472-1478	A-BLK-CLIP	GC	PLR		M	R				3	4								SALEABLE			
KEY A, BLACK, WITH CLIPSLOT, W/O CPA	33472-1479	A-BLK-CLIP	GC	PLR		M	R						6							SALEABLE			
KEY A, BLACK, WITH CLIPSLOT, W/O CPA	33472-1480	A-BLK-CLIP	GC	PLR		M	R	1	2		4	5	6	7		9	10	11	12	SALEABLE			
KEY A, BLACK, WITH CLIPSLOT, W/O CPA	33472-1481	A-BLK-CLIP	GC	PLR		M	R					5			8	9				SALEABLE			
KEY A, BLACK, WITH CLIPSLOT, W/O CPA	33472-1482	A-BLK-CLIP	GC	PLR		M	R					5		7	8	9				SALEABLE			
KEY A, BLACK, W/CPA	33472-1483	A-BLK	GC	PLR	CPA	M	R				4									SALEABLE			
KEY A, BLACK, W/O CPA	33472-1484	A-BLK	GC	PLR		M	R							7	8	9	10	11	12	SALEABLE			
KEY A, BLACK, W/O CPA	33472-1485	A-BLK	GC	PLR		M	R				4	5				9	10	11	12	SALEABLE			
KEY A, BLACK, W/CPA	33472-1486	A-BLK	GC	PLR	CPA	M	R	1		3		5			8				12	SALEABLE			
KEY A, BLACK, W/CPA	33472-1487	A-BLK	GC	PLR	CPA	M	R		2		4		6	7		9		11		SALEABLE			
KEY A, BLACK, W/O CPA	33472-1488	A-BLK	GC	PLR		M	R			3			6	7	8	9	10	11	12	SALEABLE			
KEY A, BLACK, W/O CPA	33472-1489	A-BLK	GC	PLR		M	R			3				7	8	9				SALEABLE			
KEY A, BLACK, W/O CPA	33472-1490	A-BLK	GC	PLR		M	R			3	PLR			6		9	10	11	12	SALEABLE			
KEY A, BLACK, W/O CPA	33472-1491	A-BLK	GC	PLR		M	R						6	7	8		10	11	12	SALEABLE			
KEY A, BLACK, W/O CPA	33472-1492	A-BLK	GC	PLR		M	R						6				10	11	12	SALEABLE			
KEY A, BLACK, W/O CPA	33472-1493	A-BLK	GC	PLR		M	R				3					9				SALEABLE			
KEY A, BLACK, W/O CPA	33472-1494	A-BLK	GC	PLR		M	R					5	6	7			10	11		SALEABLE			
KEY A, BLACK, W/O CPA	33472-1495	A-BLK	GC	PLR		M	R				2			6			10	11		SALEABLE			
KEY A, BLACK, W/O CPA	33472-1496	A-BLK	GC	PLR		M	R		2					6		8		11		SALEABLE			
KEY A, BLACK, W/O CPA	33472-1497	A-BLK	GC	PLR		M	R	1					6	7					12	SALEABLE			
KEY A, BLACK, W/O CPA	33472-1498	A-BLK	GC	PLR		M	R	1	1		3	4	5	6	7	8		10	11	12	SALEABLE		
KEY A, BLACK, W/O CPA	33472-1499	A-BLK	GC	PLR		M	R	1			3		5					11	12	SALEABLE			
KEY A, BLACK, W/O CPA	33472-1500	A-BLK	GC	PLR		M	R				4	5	6		8			10	11	SALEABLE			
KEY A, BLACK, W/O CPA	33472-1501	A-BLK	GC	PLR		M	R	1			3		5		8			10	11	12	SALEABLE		

MX150 RECEPTACLE 2X8 SEALED ASSEMBLY MAT SEAL
BOM AND PIN OUT SHEET



ABBREVIATION	DESCRIPTION	COLOR	MATERIAL
A-BLK	HOUSING, KEYING OPTION A	BLACK	SPS/NYLON GF20
B-LG	HOUSING, KEYING OPTION B	LIGHT GRAY	SPS/NYLON GF20
C-BR	HOUSING, KEYING OPTION C	BROWN	SPS/NYLON GF20
D-GR	HOUSING, KEYING OPTION D	GREEN	SPS/NYLON GF20
C-DG	HOUSING, KEYING OPTION C	DARK GRAY	SPS/NYLON GF20
D-SG	HOUSING, KEYING OPTION C	STONE GRAY	SPS/NYLON GF20
A-YW	HOUSING, KEYING OPTION A	YELLOW	SPS/NYLON GF20
GC	GROMMET CAP	BLACK	SPS/NYLON GF20
PLR	PLR	NATURAL	SPS/NYLON GF20
CPA	CPA	RED	PBT GF20
M	MAT SEAL	LIGHT BLUE	INHERENTLY LUBRICATED SILICONE
R	RING SEAL	GREEN	INHERENTLY LUBRICATED SILICONE

ASSEMBLY DESCRIPTION	ASSEMBLY PART NUMBER	COMPONENT							BLOCKED TERMINALS																STATUS	COMMENTS	OPTIONAL ATTACHMENTS SOLD SEPERATELY				
		THE PRESENCE OF AN ABBREVIATION INDICATES THE PRESENCE OF THAT COMPONENT.							CAVITY WITH A NUMBER INDICATES BLOCKED TERMINAL POSITION CAVITY WITHOUT A NUMBER INDICATES OPEN TERMINAL POSITION																		BACKSHELL WITH RIBS	BACKSHELL WITHOUT RIBS			
		HOUSING KEY/COLOR	GROMMET CAP	PLR	CPA	MAT SEAL	RING SEAL	1	2	3	4	5	6	7	8	9	10	11	12	13	14	15	16								
KEY A, BLACK, W/O CPA	33472-1601	A-BLK	GC	PLR		M	R																			SALEABLE					
KEY B, LIGHT GRAY, W/O CPA	33472-1602	B-LG	GC	PLR		M	R																				SALEABLE				
KEY C, BROWN, W/O CPA	33472-1603	C-BR	GC	PLR		M	R																				NOT RECOMMENDED	SEE P/N 33472-1767			
KEY D, GREEN, W/O CPA	33472-1604	D-GR	GC	PLR		M	R																				NOT RECOMMENDED	SEE P/N 33472-1768			
VOID KEY	33472-1605																														
KEY A, BLACK, W/CPA	33472-1606	A-BLK	GC	PLR	CPA	M	R																				SALEABLE				
KEY B, LIGHT GRAY, W/CPA	33472-1607	B-LG	GC	PLR	CPA	M	R																				SALEABLE				
KEY C, BROWN, W/CPA	33472-1608	C-BR	GC	PLR	CPA	M	R																				NOT RECOMMENDED	SEE P/N 33472-1769			
KEY D, GREEN, W/CPA	33472-1609	D-GR	GC	PLR	CPA	M	R																				NOT RECOMMENDED	SEE P/N 33472-1770			
VOID KEY	33472-1610																														
KEY A, BLACK, W/O CPA	33472-1611	A-BLK	GC	PLR		M	R								8												SALEABLE				
KEY B, LIGHT GRAY, W/O CPA	33472-1612	B-LG	GC	PLR		M	R								8												SALEABLE				
KEY C, BROWN, W/O CPA	33472-1613	C-BR	GC	PLR		M	R								8												NOT RECOMMENDED				
KEY D, GREEN, W/O CPA	33472-1614	D-GR	GC	PLR		M	R								8												NOT RECOMMENDED				
VOID KEY	33472-1615																														
KEY A, BLACK, W/CPA	33472-1616	A-BLK	GC	PLR	CPA	M	R								8												SALEABLE				
KEY B, LIGHT GRAY, W/CPA	33472-1617	B-LG	GC	PLR	CPA	M	R								8												SALEABLE				
KEY C, BROWN, W/CPA	33472-1618	C-BR	GC	PLR	CPA	M	R								8												NOT RECOMMENDED				
KEY D, GREEN, W/CPA	33472-1619	D-GR	GC	PLR	CPA	M	R								8												NOT RECOMMENDED				
VOID KEY	33472-1620																														
KEY A, BLACK, W/O CPA	33472-1621	A-BLK	GC	PLR		M	R	1	2	3	4	5	6	7	8	9	10	11	12	13	14	15	16			SALEABLE					
KEY B, LIGHT GRAY, W/O CPA	33472-1622	B-LG	GC	PLR		M	R	1	2	3	4	5	6	7	8	9	10	11	12	13	14	15	16			SALEABLE					
KEY C, BROWN, W/O CPA	33472-1623	C-BR	GC	PLR		M	R	1	2	3	4	5	6	7	8	9	10	11	12	13	14	15	16			NOT RECOMMENDED					
KEY D, GREEN, W/O CPA	33472-1624	D-GR	GC	PLR		M	R	1	2	3	4	5	6	7	8	9	10	11	12	13	14	15	16			NOT RECOMMENDED					
VOID KEY	33472-1625																														
KEY A, BLACK, W/CPA	33472-1626	A-BLK	GC	PLR	CPA	M	R	1	2	3	4	5	6	7	8	9	10	11	12	13	14	15	16			SALEABLE					
KEY B, LIGHT GRAY, W/CPA	33472-1627	B-LG	GC	PLR	CPA	M	R	1	2	3	4	5	6	7	8	9	10	11	12	13	14	15	16			SALEABLE					
KEY C, BROWN, W/CPA	33472-1628	C-BR	GC	PLR	CPA	M	R	1	2	3	4	5	6	7	8	9	10	11	12	13	14	15	16			NOT RECOMMENDED					
KEY D, GREEN, W/CPA	33472-1629	D-GR	GC	PLR	CPA	M	R	1	2	3	4	5	6	7	8	9	10	11	12	13	14	15	16			NOT RECOMMENDED					
VOID KEY	33472-1630																														
KEY A, BLACK, W/O CPA	33472-1631	A-BLK	GC	PLR		M	R								8	9											SALEABLE				
KEY B, LIGHT GRAY, W/O CPA	33472-1632	B-LG	GC	PLR		M	R								8	9											SALEABLE				
KEY C, BROWN, W/O CPA	33472-1633	C-BR	GC	PLR		M	R								8	9											NOT RECOMMENDED				
KEY D, GREEN, W/O CPA	33472-1634	D-GR	GC	PLR		M	R								8	9											NOT RECOMMENDED				
VOID KEY	33472-1635																														
KEY A, BLACK, W/CPA	33472-1636	A-BLK	GC	PLR	CPA	M	R								8	9											SALEABLE				
KEY B, LIGHT GRAY, W/CPA	33472-1637	B-LG	GC	PLR	CPA	M	R								8	9											SALEABLE				
KEY C, BROWN, W/CPA	33472-1638	C-BR	GC	PLR	CPA	M	R								8	9											NOT RECOMMENDED				
KEY D, GREEN, W/CPA	33472-1639	D-GR	GC	PLR	CPA	M	R								8	9											NOT RECOMMENDED				
VOID KEY	33472-1640																														
KEY A, BLACK, W/O CPA	33472-1641	A-BLK	GC	PLR		M	R	1							8	9											SALEABLE				
KEY B, LIGHT GRAY, W/O CPA	33472-1642	B-LG	GC	PLR		M	R	1							8	9											SALEABLE				
KEY C, BROWN, W/O CPA	33472-1643	C-BR	GC	PLR		M	R	1							8	9											NOT RECOMMENDED				
KEY D, GREEN, W/O CPA	33472-1644	D-GR	GC	PLR		M	R	1							8	9											NOT RECOMMENDED				
VOID KEY	33472-1645																														
KEY A, BLACK, W/CPA	33472-1646	A-BLK	GC	PLR	CPA	M	R	1							8	9											SALEABLE				
KEY B, LIGHT GRAY, W/CPA	33472-1647	B-LG	GC	PLR	CPA	M	R	1							8	9											SALEABLE				
KEY C, BROWN, W/CPA	33472-1648	C-BR	GC	PLR	CPA	M	R	1							8	9											NOT RECOMMENDED				
KEY D, GREEN, W/CPA	33472-1649	D-GR	GC	PLR	CPA	M	R	1							8	9											NOT RECOMMENDED				
VOID KEY	33472-1650																														
KEY A, BLACK, W/O CPA	33472-1651	A-BLK	GC	PLR		M	R																15				SALEABLE				
KEY A, BLACK, W/CPA	33472-1652	A-BLK	GC	PLR	CPA	M	R																15				SALEABLE				
KEY A, BLACK, W/O CPA	33472-1653	A-BLK	GC	PLR		M	R	1							8	9											SALEABLE				
KEY B, LIGHT GRAY, W/O CPA	33472-1654	B-LG	GC	PLR		M	R	1							8	9											SALEABLE				
KEY C, BROWN, W/O CPA	33472-1655	C-BR	GC	PLR		M	R	1							8	9											NOT RECOMMENDED				
KEY D, GREEN, W/O CPA	33472-1656	D-GR	GC	PLR		M	R	1							8	9											NOT RECOMMENDED				
VOID KEY	33472-1657																														
KEY A, BLACK, W/CPA	33472-1658	A-BLK	GC	PLR	CPA	M	R	1							8	9											SALEABLE				
KEY B, LIGHT GRAY, W/CPA	33472-1659	B-LG	GC	PLR	CPA	M	R	1							8	9											SALEABLE				
KEY C, BROWN, W/CPA	33472-1660	C-BR	GC	PLR	CPA	M	R	1							8	9											NOT RECOMMENDED				
KEY D, GREEN, W/CPA	33472-1661	D-GR	GC	PLR	CPA	M	R	1							8	9											NOT RECOMMENDED				
VOID KEY	33472-1662																														

MX150 RECEPTACLE 2X8 SEALED ASSEMBLY MAT SEAL
BOM AND PIN OUT SHEET

ASSEMBLY DESCRIPTION	ASSEMBLY PART NUMBER	COMPONENT						BLOCKED TERMINALS																STATUS	COMMENTS	OPTIONAL ATTACHMENTS SOLD SEPERATELY							
		THE PRESENCE OF AN ABBREVIATION INDICATES THE PRESENCE OF THAT COMPONENT.						CAVITY WITH A NUMBER INDICATES BLOCKED TERMINAL POSITION CAVITY WITHOUT A NUMBER INDICATES OPEN TERMINAL POSITION																		BACKSHELL WITH RIBS	BACKSHELL WITHOUT RIBS						
		HOUSING KEY/COLOR	GROMMET CAP	PLR	CPA	MAT SEAL	RING SEAL	1	2	3	4	5	6	7	8	9	10	11	12	13	14	15	16										
KEY A, BLACK, W/O CPA	33472-1663	A-BLK	GC	PLR		M	R	1			4		6	7	8	9			12	13	14				SALEABLE								
KEY A, BLACK, W/O CPA	33472-1664	A-BLK	GC	PLR		M	R			3	4	5		7	8	9	10	11	12	13	14	15	16		SALEABLE								
KEY A, BLACK, W/O CPA	33472-1665	A-BLK	GC	PLR		M	R							7	8	9			12	13	14				SALEABLE								
KEY A, BLACK, W/O CPA	33472-1666	A-BLK	GC	PLR		M	R			3	4	5					10	11	12	13	14	15	16		SALEABLE								
KEY A, BLACK, W/O CPA	33472-1667	A-BLK	GC	PLR		M	R				3	4	5			9	10	11	12	13	14	15	16		SALEABLE								
KEY A, BLACK, W/O CPA	33472-1668	A-BLK	GC	PLR		M	R	1																	SALEABLE								
KEY B, LIGHT GRAY, W/O CPA	33472-1669	B-LG	GC	PLR		M	R							8					12	13	14	15	16		SALEABLE								
KEY B, LIGHT GRAY, W/O CPA	33472-1670	B-LG	GC	PLR		M	R							8					13	14	15	16		SALEABLE									
KEY B, LIGHT GRAY, W/O CPA	33472-1671	B-LG	GC	PLR		M	R									10	11							SALEABLE									
KEY B, LIGHT GRAY, W/O CPA	33472-1672	B-LG	GC	PLR		M	R									10	11	12						SALEABLE									
KEY A, BLACK, W/CPA	33472-1673	A-BLK	GC	PLR	CPA	M	R									10	11		13	14	15	16		SALEABLE									
KEY B, LIGHT GRAY, W/O CPA	33472-1674	B-LG	GC	PLR		M	R											12						SALEABLE									
KEY A, BLACK, W/CPA	33472-1675	A-BLK	GC	PLR	CPA	M	R									10	11					15	16		SALEABLE								
KEY A, BLACK, W/CPA	33472-1676	A-BLK	GC	PLR	CPA	M	R							8	9	10	11	12				15	16		SALEABLE								
KEY B, LIGHT GRAY, W/O CPA	33472-1677	B-LG	GC	PLR		M	R				4		6	7	8			12			14			SALEABLE									
KEY A, BLACK, W/O CPA	33472-1678	A-BLK	GC	PLR		M	R					5												SALEABLE									
KEY A, BLACK, W/O CPA	33472-1679	A-BLK	GC	PLR		M	R					5											16		SALEABLE								
KEY A, BLACK, W/CPA	33472-1680	A-BLK	GC	PLR	CPA	M	R															15	16		SALEABLE								
KEY A, BLACK, W/O CPA	33472-1681	A-BLK	GC	PLR		M	R						5	7							14			SALEABLE									
KEY B, LIGHT GRAY, W/O CPA	33472-1682	B-LG	GC	PLR		M	R		2							10								SALEABLE									
KEY A, BLACK, W/O CPA	33472-1683	A-BLK	GC	PLR		M	R				4												16		SALEABLE								
KEY A, BLACK, W/O CPA	33472-1684	A-BLK	GC	PLR		M	R				4								12					SALEABLE									
KEY B, LIGHT GRAY, W/O CPA	33472-1685	B-LG	GC	PLR		M	R																16		SALEABLE								
KEY B, LIGHT GRAY, W/O CPA	33472-1686	B-LG	GC	PLR		M	R				4								12			14		SALEABLE									
KEY B, LIGHT GRAY, W/O CPA	33472-1687	B-LG	GC	PLR		M	R															14		SALEABLE									
KEY A, BLACK, W/O CPA	33472-1688	A-BLK	GC	PLR		M	R			2														SALEABLE									
KEY B, LIGHT GRAY, W/O CPA	33472-1689	B-LG	GC	PLR		M	R			2		4							12			14		SALEABLE									
KEY B, LIGHT GRAY, W/O CPA	33472-1690	B-LG	GC	PLR		M	R			2												14		SALEABLE									
KEY A, BLACK, W/O CPA	33472-1691	A-BLK	GC	PLR		M	R			2		4							12					SALEABLE									
KEY A, BLACK, W/O CPA	33472-1692	A-BLK	GC	PLR		M	R				4				8				12					SALEABLE									
KEY B, LIGHT GRAY, W/O CPA	33472-1693	B-LG	GC	PLR		M	R				4				8				12			14		SALEABLE									
KEY B, LIGHT GRAY, W/O CPA	33472-1694	B-LG	GC	PLR		M	R								8							14		SALEABLE									
KEY A, BLACK, W/O CPA	33472-1695	A-BLK	GC	PLR		M	R			2					8									SALEABLE									
NOT AVAILABLE	33472-1696																																
NOT AVAILABLE	33472-1697																																
NOT AVAILABLE	33472-1698																																
NOT AVAILABLE	33472-1699																																
NOT AVAILABLE	33472-1700																																
KEY A, BLACK, W/O CPA	33472-1701	A-BLK	GC	PLR		M	R				2		4						12					SALEABLE									
KEY B, LIGHT GRAY, W/O CPA	33472-1702	B-LG	GC	PLR		M	R			2		4							12					SALEABLE									
KEY B, LIGHT GRAY, W/O CPA	33472-1703	B-LG	GC	PLR		M	R			2					8							14		SALEABLE									
KEY A, BLACK, W/O CPA	33472-1704	A-BLK	GC	PLR		M	R				2		4											SALEABLE									
KEY B, LIGHT GRAY, W/O CPA	33472-1705	B-LG	GC	PLR		M	R			2		4										14		SALEABLE									
KEY A, BLACK, W/O CPA	33472-1706	A-BLK	GC	PLR		M	R			2						6				10				SALEABLE									
KEY A, BLACK, W/O CPA	33472-1707	A-BLK	GC	PLR		M	R			2					6				10	11		13	14	15	16	SALEABLE							
KEY A, BLACK, W/O CPA	33472-1708	A-BLK	GC	PLR		M	R			2					6				10			13	14		SALEABLE								
KEY A, BLACK, W/O CPA	33472-1709	A-BLK	GC	PLR		M	R					4												SALEABLE									
KEY A, BLACK, W/O CPA	33472-1710	A-BLK	GC	PLR		M	R			2					6					11				SALEABLE									
KEY A, BLACK, W/O CPA	33472-1711	A-BLK	GC	PLR		M	R			2					6									SALEABLE									
KEY A, BLACK, W/CPA	33472-1712	A-BLK	GC	PLR	CPA	M	R						5	6	7	8					13			SALEABLE									
KEY A, BLACK, W/CPA	33472-1713	A-BLK	GC	PLR	CPA	M	R						5	6	7	8			11	12	13	14		SALEABLE									
KEY A, BLACK, W/CPA	33472-1714	A-BLK	GC	PLR	CPA	M	R						5	6	7	8								SALEABLE									
KEY B, LIGHT GRAY, W/CPA	33472-1715	B-LG	GC	PLR	CPA	M	R	1	2	3	4	5	6		8				10			12	13		SALEABLE								
KEY B, LIGHT GRAY, W/CPA	33472-1716	B-LG	GC	PLR	CPA	M	R	1		3	4	5			8				10					SALEABLE									
KEY B, LIGHT GRAY, W/CPA	33472-1717	B-LG	GC	PLR	CPA	M	R	1			4	5			8				10					SALEABLE									
KEY A, BLACK, W/CPA	33472-1718	A-BLK	GC	PLR	CPA	M	R					5	6	7	8									SALEABLE									
KEY A, BLACK, W/CPA	33472-1719	A-BLK	GC	PLR	CPA	M	R						5	6									15	16	SALEABLE								
KEY A, BLACK, W/CPA	33472-1720	A-BLK	GC	PLR	CPA	M	R				3	4	5	6									15	16	SALEABLE								
KEY A, BLACK, W/CPA	33472-1721	A-BLK	GC	PLR	CPA	M	R								8						13	14	15	16	SALEABLE								
KEY A, BLACK, W/CPA	33472-1722	A-BLK	GC	PLR	CPA	M	R	1	2	3	4	5	6								13		15	16	SALEABLE								
KEY A, BLACK, W/CPA	33472-1723	A-BLK	GC	PLR	CPA	M	R								7	8			11	12	13	14		SALEABLE									
KEY A, BLACK, W/CPA	33472-1724	A-BLK	GC	PLR	CPA	M	R								7	8				12	13	14		SALEABLE									
KEY A, BLACK, W/CPA	33472-1725	A-BLK	GC	PLR	CPA	M	R								7	8					13			SALEABLE									
KEY A, BLACK, W/CPA	33472-1726	A-BLK	GC	PLR	CPA	M	R								7	8					11			SALEABLE									
KEY A, BLACK, W/CPA	33472-1727	A-BLK	GC	PLR	CPA	M	R														13	14	15	16	SALEABLE								
KEY B, LIGHT GRAY, W/CPA	33472-1728	B-LG	GC	PLR	CPA	M	R																	SALEABLE									
KEY B, LIGHT GRAY, W/CPA	33472-1729	B-LG	GC	PLR	CPA	M	R	1	2		4	5	6		8				10			12											

BOM AND PIN OUT SHEET

ASSEMBLY DESCRIPTION	ASSEMBLY PART NUMBER	COMPONENT						BLOCKED TERMINALS																STATUS	COMMENTS	OPTIONAL ATTACHMENTS SOLD SEPERATELY				
		THE PRESENCE OF AN ABBREVIATION INDICATES THE PRESENCE OF THAT COMPONENT.						CAVITY WITH A NUMBER INDICATES BLOCKED TERMINAL POSITION CAVITY WITHOUT A NUMBER INDICATES OPEN TERMINAL POSITION																		BACKSHELL WITH RIBS	BACKSHELL WITHOUT RIBS			
		HOUSING KEY/COLOR	GROMMET CAP	PLR	CPA	MAT SEAL	RING SEAL	1	2	3	4	5	6	7	8	9	10	11	12	13	14	15	16							
KEY A, BLACK, W/O CPA	33472-1752	A-BLK	GC	PLR		M	R										10	11	12	13	14	15	16	SALEABLE						
KEY A, BLACK, W/O CPA	33472-1753	A-BLK	GC	PLR		M	R											11	12	13	14	15	16	SALEABLE						
KEY A, BLACK, W/O CPA	33472-1754	A-BLK	GC	PLR		M	R	1	2	3	4	5	6											SALEABLE						
KEY A, BLACK, W/O CPA	33472-1755	A-BLK	GC	PLR		M	R							8	9						14	15	16	SALEABLE						
KEY A, BLACK, W/O CPA	33472-1756	A-BLK	GC	PLR		M	R												12	13	14	15	16	SALEABLE						
KEY A, BLACK, W/O CPA	33472-1757	A-BLK	GC	PLR		M	R						7	8	9	10								SALEABLE						
KEY A, BLACK, W/O CPA	33472-1758	A-BLK	GC	PLR		M	R															14	15	16	SALEABLE					
KEY A, BLACK, W/O CPA	33472-1759	A-BLK	GC	PLR		M	R		2				6	7	8									SALEABLE						
KEY A, BLACK, W/O CPA	33472-1760	A-BLK	GC	PLR		M	R		2		4		6	7	8									SALEABLE						
KEY A, BLACK, W/O CPA	33472-1761	A-BLK	GC	PLR		M	R		2				5	6	7	8	9	10					14	15	16	SALEABLE				
KEY A, BLACK, W/O CPA	33472-1762	A-BLK	GC	PLR		M	R		2				5	6	7	8						14	15		SALEABLE					
KEY A, BLACK, W/O CPA	33472-1763	A-BLK	GC	PLR		M	R		2															15	16	SALEABLE				
KEY A, BLACK, W/O CPA	33472-1764	A-BLK	GC	PLR		M	R		2																SALEABLE					
KEY A, BLACK, W/O CPA	33472-1765	A-BLK	GC	PLR		M	R	1	2	3	4	5	6	7	8	9	10								SALEABLE					
KEY A, BLACK, W/O CPA	33472-1766	A-BLK	GC	PLR		M	R	1	2	3	4	5	6				10	11	12	13	14	15	16	SALEABLE						
KEY C, DARK GRAY, W/O CPA	33472-1767	C-DG	GC	PLR		M	R																	SALEABLE						
KEY D, STONE GRAY, W/O CPA	33472-1768	D-SG	GC	PLR		M	R																	SALEABLE						
KEY C, DARK GRAY, W/CPA	33472-1769	C-DG	GC	PLR	CPA	M	R																	SALEABLE						
KEY D, STONE GRAY, W/CPA	33472-1770	D-SG	GC	PLR	CPA	M	R																	SALEABLE						
KEY B, LIGHT GRAY, W/O CPA	33472-1771	B-LG	GC	PLR		M	R	1	2	3	4	5	6	7	8	9	10					14	15	16	SALEABLE					
KEY B, LIGHT GRAY, W/O CPA	33472-1772	B-LG	GC	PLR		M	R	1	2	3	4	5	6	7	8	9	10					14	15		SALEABLE					
KEY B, LIGHT GRAY, W/CPA	33472-1773	B-LG	GC	PLR	CPA	M	R				4	5					10	11	12	13				SALEABLE						
KEY B, LIGHT GRAY, W/CPA	33472-1774	B-LG	GC	PLR	CPA	M	R				4	5			8		10	11	12	13				SALEABLE						
KEY B, LIGHT GRAY, W/CPA	33472-1775	B-LG	GC	PLR	CPA	M	R				4	5			8		10	11	12	13			16	SALEABLE						
KEY B, LIGHT GRAY, W/CPA	33472-1776	B-LG	GC	PLR	CPA	M	R				4	5			8		10							SALEABLE						
KEY B, LIGHT GRAY, W/CPA	33472-1777	B-LG	GC	PLR	CPA	M	R				4	5			8		10				11	12	13	SALEABLE						
KEY A, BLACK, W/O CPA	33472-1778	A-BLK	GC	PLR		M	R			3	4						9	10					15	16	SALEABLE					
KEY A, BLACK, W/O CPA	33472-1779	A-BLK	GC	PLR		M	R		2		4			6	7		9	10					15	16	SALEABLE					
KEY A, BLACK, W/CPA	33472-1780	A-BLK	GC	PLR	CPA	M	R																14	15	16	SALEABLE				
KEY A, BLACK, W/O CPA	33472-1781	A-BLK	GC	PLR		M	R				4	5		7										SALEABLE						
KEY A, BLACK, W/CPA	33472-1782	A-BLK	GC	PLR	CPA	M	R												12	13	14	15	16	SALEABLE						
KEY A, BLACK, W/O CPA	33472-1783	A-BLK	GC	PLR		M	R	1	2	3	4			7	8	9	10	11	12				15	16	SALEABLE					
KEY A, BLACK, W/O CPA	33472-1784	A-BLK	GC	PLR		M	R	1	2	3	4				8	9	10	11	12					16	SALEABLE					
KEY A, BLACK, W/O CPA	33472-1785	A-BLK	GC	PLR		M	R			2	3	4					9	10						15	16	SALEABLE				
KEY A, BLACK, W/O CPA	33472-1786	A-BLK	GC	PLR		M	R			2	3	4	5	6	7	8	9	10				14	15	16	SALEABLE					
KEY A, BLACK, W/O CPA	33472-1787	A-BLK	GC	PLR		M	R						5				8							15	16	SALEABLE				
KEY A, BLACK, W/O CPA	33472-1788	A-BLK	GC	PLR		M	R					3				8		10	11			13	14	15	SALEABLE					
KEY A, BLACK, W/O CPA	33472-1789	A-BLK	GC	PLR		M	R									8		10	11				14		SALEABLE					
KEY A, BLACK, W/O CPA	33472-1790	A-BLK	GC	PLR		M	R				3	4	5				8		10	11	12	13	14	15	SALEABLE					
KEY A, BLACK, W/O CPA	33472-1791	A-BLK	GC	PLR		M	R				3	4				9	10							15	16	SALEABLE				
KEY A, BLACK, W/O CPA	33472-1792	A-BLK	GC	PLR		M	R	1			3			5		7	8						14	15	SALEABLE					
KEY A, BLACK, W/O CPA	33472-1793	A-BLK	GC	PLR		M	R																13	14	15	16	SALEABLE			
KEY A, BLACK, W/O CPA	33472-1794	A-BLK	GC	PLR		M	R			2			4			6	7	8					12		SALEABLE					
KEY A, BLACK, W/CPA	33472-1795	A-BLK	GC	PLR	CPA	M	R																14		SALEABLE					
KEY A, BLACK, W/O CPA	33472-1796	A-BLK	GC	PLR		M	R	1						5		7	8							14	15	SALEABLE				
KEY A, BLACK, W/O CPA	33472-1797	A-BLK	GC	PLR		M	R							5											SALEABLE					
KEY A, BLACK, W/O CPA	33472-1798	A-BLK	GC	PLR		M	R	1						5											SALEABLE					
KEY B, LIGHT GRAY, W/CPA	33472-1799	B-LG	GC	PLR	CPA	M	R		2		3	4												15	SALEABLE					
KEY A, BLACK, W/O CPA	33472-1800	A-BLK	GC	PLR		M	R	1			3			5											SALEABLE					
KEY B, LIGHT GRAY, W/CPA	33472-1801	B-LG	GC	PLR	CPA	M	R																		SALEABLE					
KEY B, LIGHT GRAY, W/CPA	33472-1802	B-LG	GC	PLR	CPA	M	R			2		4	5	6											SALEABLE					
KEY B, LIGHT GRAY, W/CPA	33472-1803	B-LG	GC	PLR	CPA	M	R			2		4	5	6											SALEABLE					
KEY B, LIGHT GRAY, W/CPA	33472-1804	B-LG	GC	PLR	CPA	M	R			2		3	4	5	6										SALEABLE					
KEY A, BLACK, W/O CPA	33472-1805	A-BLK	GC	PLR		M	R																14	15	SALEABLE					
KEY A, BLACK, W/CPA	33472-1806	A-BLK	GC	PLR	CPA	M	R	1				3	4									12	13	14	15	16	SALEABLE			
KEY A, BLACK, W/CPA	33472-1807	A-BLK	GC	PLR	CPA	M	R	1		2	3	4	5												SALEABLE					
KEY A, BLACK, W/CPA	33472-1808	A-BLK	GC	PLR	CPA	M	R			2	3	4	5												SALEABLE					
KEY A, BLACK, W/CPA	33472-1809	A-BLK	GC	PLR	CPA	M	R																		SALEABLE					
KEY A, BLACK, W/O CPA	33472-1810	A-BLK	GC	PLR		M	R	1		2	3	4	5	6	7	8								13	14	15	16	SALEABLE		
KEY A, BLACK, W/O CPA	33472-1811	A-BLK	GC	PLR		M	R	1		2	3														SALEABLE					
KEY A, BLACK, W/O CPA	33472-1812	A-BLK	GC	PLR		M	R	1		2															SALEABLE					
KEY B, LIGHT GRAY, W/O CPA	33472-1813	B-LG	GC	PLR		M	R						6	7	8										SALEABLE					
KEY B, LIGHT GRAY, W/O CPA	33472-1814	B-LG	GC	PLR		M	R							6	7	8									SALEABLE					
KEY B, LIGHT GRAY, W/O CPA	33472-1815	B-LG	GC	PLR		M	R							6											SALEABLE					
KEY B, LIGHT GRAY, W/O CPA	33472-1816	B-LG	GC	PLR		M	R							6											SALEABLE					
KEY B, LIGHT GRAY, W/O CPA	33472-1817	B-LG	GC	PLR		M	R	1		2	3	4	5	6											SALEABLE					
KEY A, BLACK, W/O CPA	33472-1818	A-BLK	GC	PLR		M	R																		SALEABLE					
KEY A, BLACK, W/CPA	33472-1819	A-BLK	GC	PLR	CPA	M	R																		SALEABLE					
KEY A, BLACK, W/CPA	33472-1820	A-BLK	GC	PLR	CPA	M	R																		SALEABLE					
KEY B, LIGHT GRAY, W/CPA	33472-1821	B-LG	GC	PLR	CPA																									

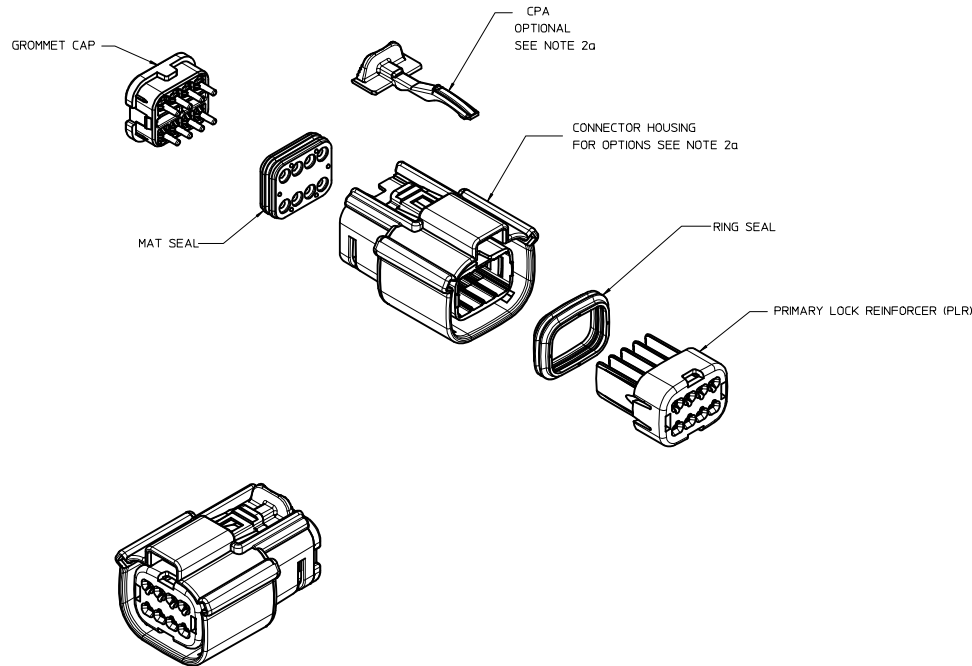
MX150 RECEPTACLE 2X8 SEALED ASSEMBLY MAT SEAL
BOM AND PIN OUT SHEET

ASSEMBLY DESCRIPTION	ASSEMBLY PART NUMBER	COMPONENT						BLOCKED TERMINALS																STATUS	COMMENTS	OPTIONAL ATTACHMENTS SOLD SEPERATELY				
		THE PRESENCE OF AN ABBREVIATION INDICATES THE PRESENCE OF THAT COMPONENT.						CAVITY WITH A NUMBER INDICATES BLOCKED TERMINAL POSITION CAVITY WITHOUT A NUMBER INDICATES OPEN TERMINAL POSITION																		BACKSHELL WITH RIBS	BACKSHELL WITHOUT RIBS			
		HOUSING KEY/COLOR	GROMMET CAP	PLR	CPA	MAT SEAL	RING SEAL	1	2	3	4	5	6	7	8	9	10	11	12	13	14	15	16							
KEY A, BLACK, W/O CPA	33472-1841	A-BLK	GC	PLR		M	R	1	2			5	6	7	8											SALEABLE				
KEY A, BLACK, W/O CPA	33472-1842	A-BLK	GC	PLR		M	R			3	4															SALEABLE				
KEY A, BLACK, W/O CPA	33472-1843	A-BLK	GC	PLR		M	R																			SALEABLE				
KEY A, BLACK, W/O CPA	33472-1844	A-BLK	GC	PLR		M	R			3	4					9	10	11	12	13	14	15	16		SALEABLE					
KEY B, LIGHT GRAY, W/O CPA	33472-1845	B-LG	GC	PLR		M	R			3	4	5	6		8	9	10	11	12	13	14				SALEABLE					
KEY A, BLACK, W/O CPA	33472-1846	A-BLK	GC	PLR		M	R								9	10									SALEABLE					
KEY A, BLACK, W/O CPA	33472-1847	A-BLK	GC	PLR		M	R								10										SALEABLE					
KEY A, BLACK, W/O CPA	33472-1848	A-BLK	GC	PLR		M	R	1	2	3	4	5	6	7	8	9	10	11			14	15	16		SALEABLE					
KEY A, BLACK, W/O CPA	33472-1849	A-BLK	GC	PLR		M	R		2						8						14	15	16		SALEABLE					
KEY A, BLACK, W/O CPA	33472-1850	A-BLK	GC	PLR		M	R	1		3					9						15	16			SALEABLE					
KEY A, BLACK, W/O CPA	33472-1851	A-BLK	GC	PLR		M	R	1	2	3	4	5	6		8						14	15	16		SALEABLE					
KEY A, BLACK, W/O CPA	33472-1852	A-BLK	GC	PLR		M	R	1	2			5		7	8	9	10	11	12	13	14	15	16		SALEABLE					
KEY A, BLACK, W/O CPA	33472-1853	A-BLK	GC	PLR		M	R		2			5		7	8	9	10	11	12	13	14	15	16		SALEABLE					
KEY A, BLACK, W/O CPA	33472-1854	A-BLK	GC	PLR		M	R		2			5		7	8	9								16	SALEABLE					
KEY A, BLACK, W/O CPA	33472-1855	A-BLK	GC	PLR		M	R					5		7	8	9								16	SALEABLE					
KEY A, BLACK, W/O CPA	33472-1856	A-BLK	GC	PLR		M	R		2					7	8	9								16	SALEABLE					
KEY A, BLACK, W/O CPA	33472-1857	A-BLK	GC	PLR		M	R							7	8	9								16	SALEABLE					
KEY A, BLACK, W/O CPA	33472-1858	A-BLK	GC	PLR		M	R		2			5			9			11	12	13	14	15	16		SALEABLE					
KEY A, BLACK, W/O CPA	33472-1859	A-BLK	GC	PLR		M	R		2			5			9			12	13	14	15				SALEABLE					
KEY A, BLACK, W/O CPA	33472-1860	A-BLK	GC	PLR		M	R		2			5			9										SALEABLE					
KEY A, BLACK, W/O CPA	33472-1861	A-BLK	GC	PLR		M	R		2						9										SALEABLE					
KEY A, BLACK, W/O CPA	33472-1862	A-BLK	GC	PLR		M	R		2																SALEABLE					
KEY A, BLACK, W/O CPA	33472-1863	A-BLK	GC	PLR		M	R	1		3				7	8				11	12	13	14	15	16		SALEABLE				
KEY A, BLACK, W/O CPA	33472-1864	A-BLK	GC	PLR		M	R								9				11	12	13	14	15	16		SALEABLE				
KEY A, BLACK, W/O CPA	33472-1865	A-BLK	GC	PLR		M	R	1			4		6	7	8					13	14	15			SALEABLE					
KEY A, BLACK, W/CPA	33472-1866	A-BLK	GC	PLR	CPA	M	R					5													SALEABLE					
KEY A, BLACK, W/O CPA	33472-1867	A-BLK	GC	PLR		M	R		2			5		7		9				12	13	14	15	16		SALEABLE				
KEY A, BLACK, W/CPA	33472-1868	A-BLK	GC	PLR	CPA	M	R	1	2	3	4		6	7		9	10	11	12	13	14	15	16		SALEABLE					
KEY A, BLACK, W/O CPA	33472-1869	A-BLK	GC	PLR		M	R				4	5	6	7	8					12	13	14	15	16		SALEABLE				
KEY A, BLACK, W/O CPA	33472-1870	A-BLK	GC	PLR		M	R	1	2	3	4				9	10	11								SALEABLE					
KEY A, BLACK, W/O CPA	33472-1871	A-BLK	GC	PLR		M	R	1	2			5	6	7	8	9	10	11	12	13	14			16	SALEABLE					
KEY A, BLACK, W/O CPA	33472-1872	A-BLK	GC	PLR		M	R	1	2			5	6	7	8	9	10								16	SALEABLE				
KEY A, BLACK, W/O CPA	33472-1873	A-BLK	GC	PLR		M	R					5	6	7	8	9			11	12	13	14			16	SALEABLE				
KEY A, BLACK, W/O CPA	33472-1874	A-BLK	GC	PLR		M	R					5	6	7		9									16	SALEABLE				
KEY A, BLACK, W/O CPA	33472-1875	A-BLK	GC	PLR		M	R	1	2						8			10	11	12	13	14			16	SALEABLE				
KEY A, BLACK, W/O CPA	33472-1876	A-BLK	GC	PLR		M	R												11	12	13	14			16	SALEABLE				
KEY A, BLACK, W/O CPA	33472-1877	A-BLK	GC	PLR		M	R	1	2						8			10							16	SALEABLE				
KEY A, BLACK, W/O CPA	33472-1878	A-BLK	GC	PLR		M	R			3		5		7				10	11		13		15		SALEABLE					
KEY A, BLACK, W/O CPA	33472-1879	A-BLK	GC	PLR		M	R	1	2	3	4	5			8	9	10	11	12	13	14			16	SALEABLE					
KEY A, BLACK, W/O CPA	33472-1880	A-BLK	GC	PLR		M	R									9				12	13	14			SALEABLE					
KEY A, BLACK, W/O CPA	33472-1881	A-BLK	GC	PLR		M	R		2							9				12	13	14			SALEABLE					
KEY A, BLACK, W/O CPA	33472-1882	A-BLK	GC	PLR		M	R	1			4	5	6		8				12	13	14			16	SALEABLE					
KEY A, BLACK, W/O CPA	33472-1883	A-BLK	GC	PLR		M	R	1	2		4	5	6		8	9	10			12	13	14	15	16		SALEABLE				
KEY A, BLACK, W/O CPA	33472-1884	A-BLK	GC	PLR		M	R				4	5			8			10	11	12	13	14	15			SALEABLE				
KEY A, BLACK, W/O CPA	33472-1885	A-BLK	GC	PLR		M	R							7	8	9	10	11	12	13	14				SALEABLE					
KEY A, YELLOW, W/CPA	33472-1886	A-YW	GC	PLR	CPA	M	R																		SALEABLE					
KEY A, BLACK, W/O CPA	33472-1887	A-BLK	GC	PLR		M	R	1			4	5						11			13	14			SALEABLE					
KEY A, BLACK, W/CPA	33472-1888	A-BLK	GC	PLR	CPA	M	R						6			9							15	16		SALEABLE				
KEY A, BLACK, W/O CPA	33472-1889	A-BLK	GC	PLR		M	R													13	14				SALEABLE					
KEY A, BLACK, W/CPA	33472-1890	A-BLK	GC	PLR	CPA	M	R					5			8										SALEABLE					
KEY A, BLACK, W/CPA	33472-1891	A-BLK	GC	PLR	CPA	M	R					5	6	7	8	9	10	11	12						SALEABLE					
KEY A, BLACK, W/O CPA	33472-1894	A-BLK	GC	PLR		M	R					5	6	7	8										SALEABLE					
KEY A, BLACK, W/O CPA	33472-1895	A-BLK	GC	PLR		M	R	1	2	3						9	10	11			13				SALEABLE					
KEY A, BLACK, W/O CPA	33472-1896	A-BLK	GC	PLR		M	R	1	2			5									13	14				SALEABLE				
KEY A, BLACK, W/O CPA	33472-1897	A-BLK	GC	PLR		M	R					5									13	14				SALEABLE				
KEY A, BLACK, W/O CPA	33472-1898	A-BLK	GC	PLR		M	R	1	2			5									13	14				SALEABLE				
KEY A, BLACK, W/O CPA	33472-1899	A-BLK	GC	PLR		M	R					5		7	8	9	10	11	12	13	14				SALEABLE					
KEY A, BLACK, W/O CPA	33472-1900	A-BLK	GC	PLR		M	R	1	2			5		7	8	9	10	11	12	13	14				SALEABLE					
KEY A, BLACK, W/O CPA	33472-1901	A-BLK	GC	PLR		M	R								8			10	11						SALEABLE					
KEY A, BLACK, W/O CPA	33472-1902	A-BLK	GC	PLR		M	R			3															SALEABLE					
KEY A, BLACK, W/O CPA	33472-1903	A-BLK	GC	PLR		M	R							7	8	9	10	11	12	13	14				SALEABLE					
KEY A, BLACK, W/O CPA	33472-1904	A-BLK	GC	PLR		M	R		2					8											SALEABLE					
KEY A, BLACK, W/O CPA	33472-1905	A-BLK	GC	PLR		M	R	1				5			8						13	14	15	16		SALEABLE				
KEY A, BLACK, W/O CPA	33472-1906	A-BLK	GC	PLR		M	R																		SALEABLE					
KEY A, BLACK, W/O CPA	33472-1907	A-BLK	GC	PLR		M	R	1			4	5	6		8						12	13	14			SALEABLE				
KEY A, BLACK, W/CPA	33472-1908	A-BLK	GC	PLR	CPA	M	R												11	12	13	14			SALEABLE					
KEY A, BLACK, W/CPA	33472-1909	A-BLK	GC	PLR	CPA	M	R	1			3	5	6								12	13				SALEABLE				
KEY A, BLACK, W/CPA	33472-1910	A-BLK																												

**MX150 RECEPTACLE 2X8 SEALED ASSEMBLY MAT SEAL
BOM AND PIN OUT SHEET**

ASSEMBLY DESCRIPTION	ASSEMBLY PART NUMBER	COMPONENT						BLOCKED TERMINALS																STATUS	COMMENTS	OPTIONAL ATTACHMENTS SOLD SEPERATELY							
		THE PRESENCE OF AN ABBREVIATION INDICATES THE PRESENCE OF THAT COMPONENT.						CAVITY WITH A NUMBER INDICATES BLOCKED TERMINAL POSITION CAVITY WITHOUT A NUMBER INDICATES OPEN TERMINAL POSITION																		BACKSHELL WITH RIBS	BACKSHELL WITHOUT RIBS						
		HOUSING KEY/COLOR	GROMMET CAP	PLR	CPA	MAT SEAL	RING SEAL	1	2	3	4	5	6	7	8	9	10	11	12	13	14	15	16										
KEY A, BLACK, W/O CPA	33472-1932	A-BLK	GC	PLR		M	R	1	2		4	5	6								10					14			SALEABLE				

TABLE OF CONTENTS	
SHEET NO.	SHEET DESCRIPTION
1	NOTES
2	KEY CONFIGURATIONS
3	RECEPTACLE SEALED ASSEMBLY
4	BACKSHELL NOTES
5	BACKSHELL
6	BACKSHELL CONFIGURATIONS



NOTES: VALID UNLESS OTHERWISE SPECIFIED

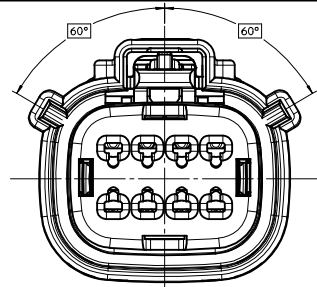
1. GENERAL:
 - a. APPLICATION SPECIFICATION SEE: AS-33472-100
 - CONTAINS: PRODUCT INTRODUCTION, PRODUCT SUMMARY, CONNECTOR ASSEMBLY, PACKAGING INFORMATION, CONNECTOR MATING, SERVICE INSTRUCTIONS, ELECTRICAL CONTINUITY CHECKING, CRIMPING, AND TROUBLESHOOTING.
 - DESIGNED TO MATE WITH DEVICE CONNECTION AS SPECIFIED IN DRAWING EWCAP 150-S-008-2-Z02, AVAILABLE AT <http://ewcap.uscarteams.org/>.
 - DESIGNED TO MATE WITH BLADE SEALED ASSEMBLY AS SPECIFIED IN DRAWING SD-33482-081
 - FOR 15mm RECEPTACLE TERMINALS TO BE USED WITH THIS ASSEMBLY, SEE MOLEX DRAWING SD-33012-002.
 - SYSTEM TO BE USED WITH WIRE WITH DIAMETER RANGE OF 1.2mm TO 2.69mm.
 - ASSEMBLY SHIPPED WITH PLR AND CPA IN PRE-LOCK POSITION (SEE SECTION Z-Z PRE-LOCK).
 - IN THE EVENT THAT THE PLR IS FOUND IN THE SEATED (FINAL LOCK) POSITION, REFER TO MOLEX SPECIFICATION PS-34646-001, AVAILABLE AT www.molex.com <http://www.molex.com>.
 - ASSEMBLY CONFORMS TO SAE/USCAR-2 REV.4 WITH THE FOLLOWING EXCEPTIONS:
 - ENGAGEMENT FORCE TO MOVE CPA FROM PRE-LOCK TO FINAL LOCK POSITION WHEN UNMATED: 40N MIN.
 - DISENGAGEMENT FORCE TO MOVE CPA FROM FINAL LOCK TO PRE-LOCK POSITION: 3N MIN, 40N MAX
 - TERMINAL INSERTION FORCE FOR WIRE DIAMETER ABOVE 2.5mm NOT EXCEEDING 2.69mm SHALL NOT EXCEED 40 NEWTONS.
 - PLR REMOVAL FROM FINAL LOCK TO PRE-LOCK POSITION SHALL NOT EXCEED 130 NEWTONS.
 - b. PRODUCT SPECIFICATION SEE: PS-33472-000
 - CONTAINS: PRODUCT INTRODUCTION, PRODUCT SUMMARY, RATINGS (CURRENT, TEMPERATURE, SEALING, AND FLAMMABILITY), AND PRODUCT VALIDATION.
 - c. PACKAGING SPECIFICATION PER MOLEX DRAWING: PK-31300-903
 - d. PARTS MUST BE IN COMPLIANCE TO MOLEX CHEMICAL SUBSTANCES FOR PRODUCTS AND PACKAGING SPECIFICATION: ES-40000-5016
 - e. DATA MUST BE SUBMITTED UNDER THE MOLEX PART NUMBER TO IMDS (COMPANY ID#13255)
 - f. FOR INFORMATION ON 2X4 RECEPTACLE SEALED ASSEMBLY WITH CLIPSLOT SEE SD-33472-091
2. DESIGN - MATERIALS:
 - a. SEE BOM TABLE AS SPECIFIED IN SD-33472-082
3. DESIGN - GEOMETRY:
 - a. THIS IS A 100% CAD GENERATED PART. THE CAD MATHEMATICAL DATA IS THE MASTER FOR THIS PART. FOR DIMENSIONAL OR ANY INFORMATION NOT SHOWN ON THIS DRAWING, ANALYZE THE CAD MODEL.
 - b. GEOMETRIC DIMENSIONS AND TOLERANCES PER ASME Y14.5M - 1994
 - c. EDGES AND UNDIMENSIONED DETAILS PER ISO13715
 - d. CORNERS SHOWN AS SHARP TO BE R 0.2 MAX.
 - e. LETTERING SHALL BE 0.15 MAX RAISED IN 0.25 MAX RECESS PAD. THIS INCLUDES RECYCLING CODE, CAVITY ID, VENDOR IDENTIFICATION, AND CUSTOMER MATERIAL NUMBER.
 - f. VISUAL DEFECTS SHALL MEET COSMETIC STANDARD PS-45499-002 (Class B).
 - g. LASER MARKING: TBD

INSPECTION NUMBERR LOG
 LAST NUMBER USED:
 ADDED:
 REMOVED:

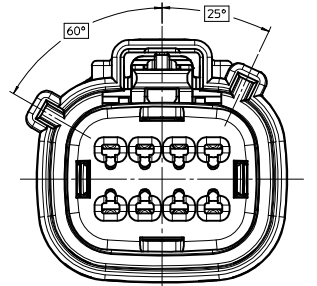
Z	MOVE THE BOM TO SD-33472-082	
Y10	UPDATED DIMENSIONS TO MATCH MODEL	
REV	DESCRIPTION	
SCALE	DESIGN UNITS	THIRD ANGLE
2:1	METRIC	PROJECTION

ENTER DESCRIPTION EC NO: JAU2014-0008 DRAWN BY: N CHKD: N APPR: WKOSHY 2013/07/02 2013/08/26 DESCRIPTION	QUALITY SYMBOLS	GENERAL TOLERANCES (UNLESS SPECIFIED)	DIMENSION STYLE	DRAWN BY	DATE	TITLE
	▽=0	4 PLACES ±	mm INCH	D. MARCOUX	06-13-02	MX150 2X4 RECEPTACLE SEALED ASSEMBLY MAT SEAL molex MATERIAL NO. SEE NOTE 2a DOCUMENT NO. SD-33472-081 SHEET NO. 1 OF 6
	▽=0	3 PLACES ±		CHECKED BY	DATE	
	▽=0	2 PLACES ±0.10		DGRIFITHS	06-13-02	
▽=0	1 PLACE ±0.3		APPROVED BY	DATE		
	0 PLACE ±			FHOLUB	06-13-02	
		ANGULAR ± 3 °				
		DRAFT WHERE APPLICABLE MUST REMAIN WITHIN DIMENSIONS				

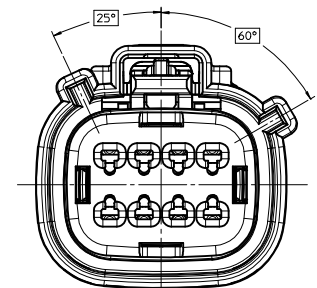
KEY CONFIGURATIONS



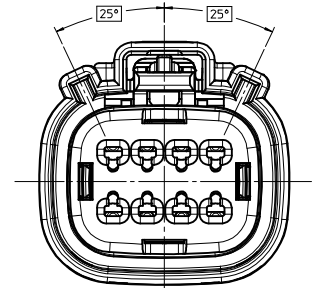
KEY A



KEY B



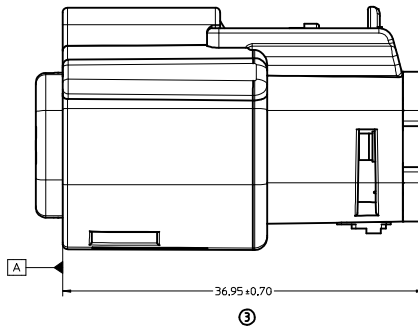
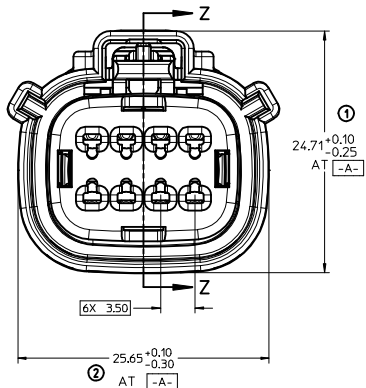
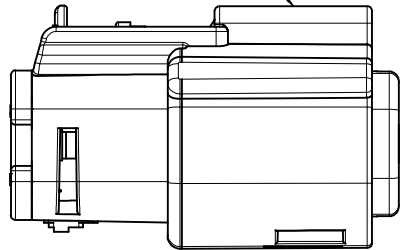
KEY C



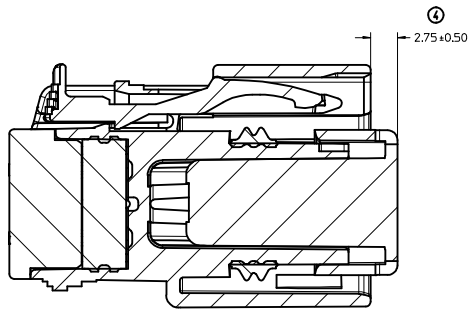
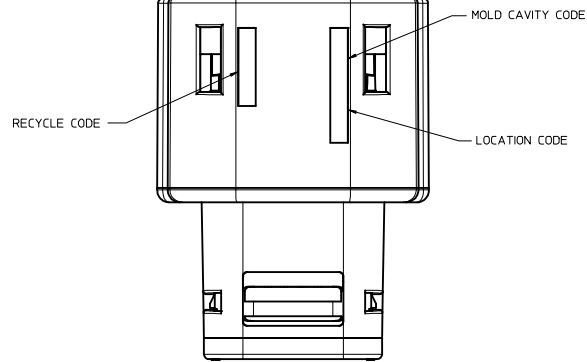
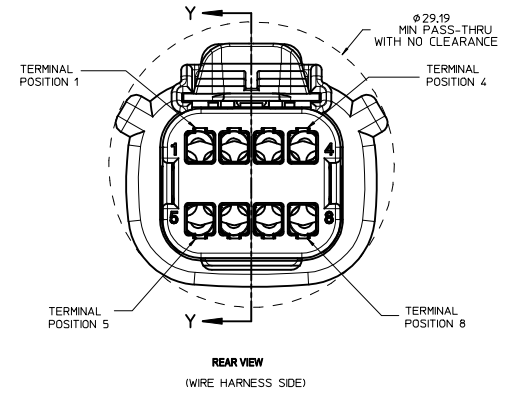
KEY D

ENTER DESCRIPTION EC NO: UAU2014-0008 DRAWN BY: 2013/07/02 CHKD: APPR: WOSHY 2013/08/26	QUALITY SYMBOLS	GENERAL TOLERANCES (UNLESS SPECIFIED)	DIMENSION STYLE	SCALE	DESIGN UNITS	THIRD ANGLE PROJECTION
	▽=0	4 PLACES ± .005	MM ONLY	4:1	METRIC	
	▽=0	3 PLACES ± .005				
	▽=0	2 PLACES ± 0.10				
		1 PLACE ± 0.3				
		0 PLACE ±				
		ANGULAR ± 3 °				
		DRAFT WHERE APPLICABLE MUST REMAIN WITHIN DIMENSIONS				
			DRAWN BY: D. MARCOUX	DATE: 06-13-02	TITLE: MX150 2X4 RECEPTACLE SEALED ASSEMBLY MAT SEAL	
			CHECKED BY: D. GRIFFITHS	DATE: 06-13-02		
			APPROVED BY: FHOLUB	DATE: 06-13-02		
			MATERIAL NO.	DOCUMENT NO.	SHEET NO.	
			SEE NOTE 2a	SD-33472-081	2 OF 6	
			THIS DRAWING CONTAINS INFORMATION THAT IS PROPRIETARY TO MOLEX INCORPORATED AND SHOULD NOT BE USED WITHOUT WRITTEN PERMISSION			

LASER MARKING ON THIS SURFACE
SEE NOTE 3g.

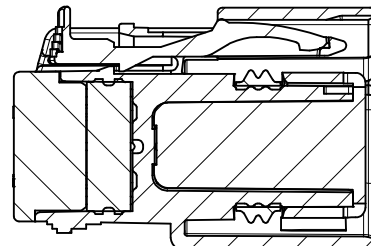


RECEPTACLE SEALED ASSEMBLY



PRIMARY LOCK REINFORCEMENT (PLR) SHOWN
IN PRE-STAGED POSITION

SECTION Z-Z



PRIMARY LOCK REINFORCEMENT (PLR) SHOWN
IN FINAL-LOCK POSITION

SECTION Y-Y

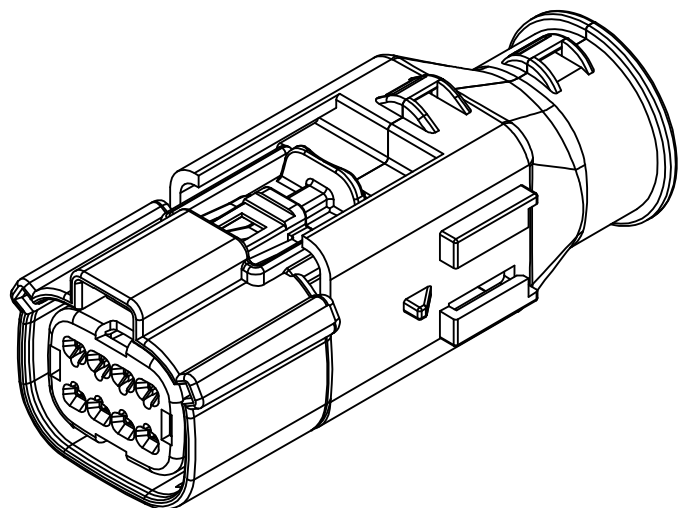
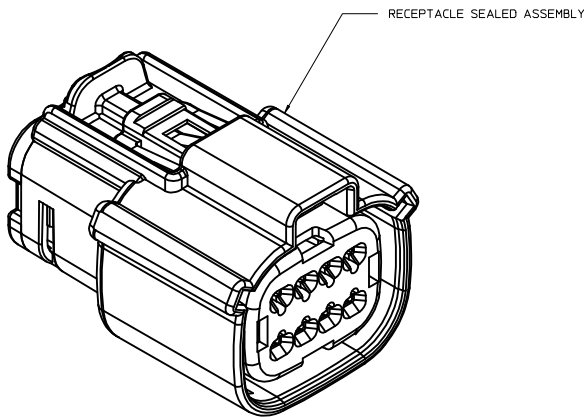
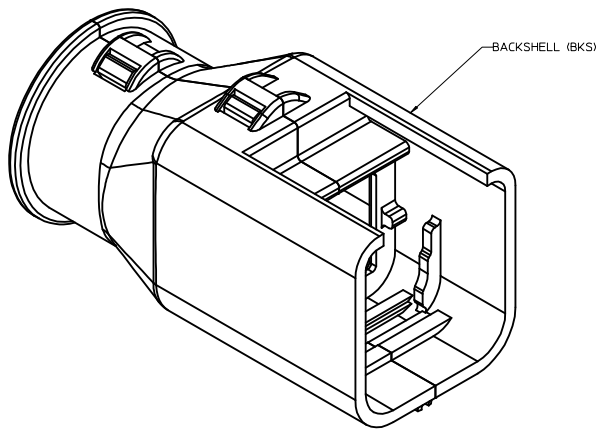
ENTER DESCRIPTION IEC NO: UAU2014-0008 DRAWN BY: 2013/07/02 CHKD: CHYD APPR: IKOSHY 2013/08/26 REV: DESCRIPTION	QUALITY SYMBOLS ∇=0 ∇=0 ∇=0		GENERAL TOLERANCES (UNLESS SPECIFIED) <table border="1"> <tr> <td></td> <td>mm</td> <td>INCH</td> </tr> <tr> <td>4 PLACES</td> <td>± .010</td> <td>± .0005</td> </tr> <tr> <td>3 PLACES</td> <td>± .015</td> <td>± .0008</td> </tr> <tr> <td>2 PLACES</td> <td>± .020</td> <td>± .0010</td> </tr> <tr> <td>1 PLACE</td> <td>± .030</td> <td>± .0012</td> </tr> <tr> <td>0 PLACE</td> <td>± .040</td> <td>± .0015</td> </tr> </table>			mm	INCH	4 PLACES	± .010	± .0005	3 PLACES	± .015	± .0008	2 PLACES	± .020	± .0010	1 PLACE	± .030	± .0012	0 PLACE	± .040	± .0015	DIMENSION STYLE MM ONLY	SCALE 4:1	DESIGN UNITS METRIC	THIRD ANGLE PROJECTION
		mm	INCH																							
	4 PLACES	± .010	± .0005																							
	3 PLACES	± .015	± .0008																							
2 PLACES	± .020	± .0010																								
1 PLACE	± .030	± .0012																								
0 PLACE	± .040	± .0015																								
DRAFT WHERE APPLICABLE MUST REMAIN WITHIN DIMENSIONS			MATERIAL NO. SEE NOTE 2a	DATE D. MARCOUX 06-13-02 CHECKED BY DATE D. GRIFFITHS 06-13-02 APPROVED BY DATE F. HOLUB 06-13-02	TITLE MX150 2X4 RECEPTACLE SEALED ASSEMBLY MAT SEAL	DOCUMENT NO. SD-33472-081																				
			ANGULAR ± 3°			SHEET NO. 3 OF 6																				
THIS DRAWING CONTAINS INFORMATION THAT IS PROPRIETARY TO MOLEX INCORPORATED AND SHOULD NOT BE USED WITHOUT WRITTEN PERMISSION																										

BACKSHELL NOTES

BACKSHELL NOTES: VALID UNLESS OTHERWISE SPECIFIED

1. GENERAL:

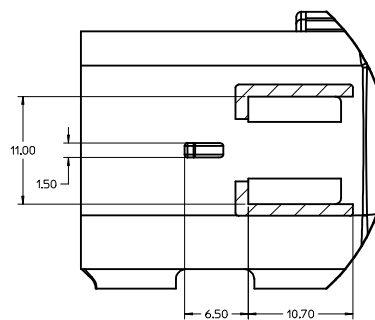
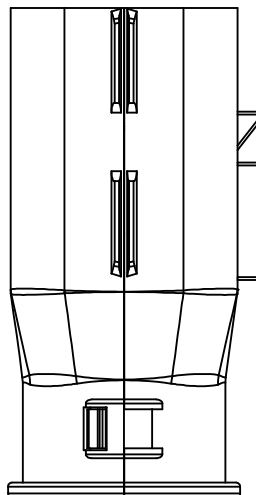
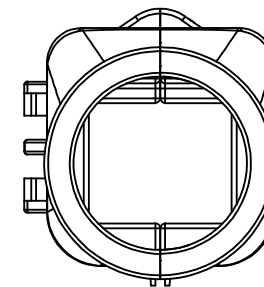
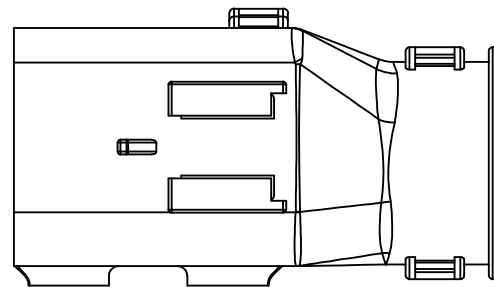
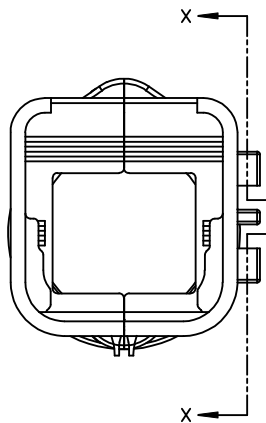
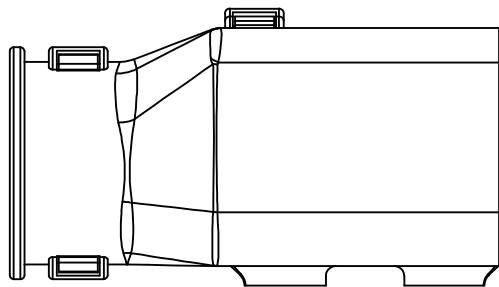
- a. APPLICATION SPECIFICATION SEE: AS-34951-001
 - DESIGNED TO MATE WITH RECEPTACLE SEALED ASSEMBLY SPECIFIED IN MOLEX DRAWING SD-33472-081.
 - SYSTEM TO BE USED WITH WIRE WITHIN DIAMETER RANGE OF 1.2mm TO 2.69mm.
 - COMPONENTS ARE OPTIONAL AND MUST BE PURCHASED SEPERATELY.
 - BACKSHELL DESIGN IS OWNED BY SCHLEMMER.
 - FOR ADDITIONAL INFORMATION SEE THE BACKSHELL COMPONENT DRAWING SD-34951-0001.



ENTER DESCRIPTION IEC NO: UAU2014-0008 DRAWN BY: 2013/07/02 CHKD: APPR: VKOSHY 2013/08/26 DESCRIPTION	QUALITY SYMBOLS	GENERAL TOLERANCES (UNLESS SPECIFIED)	DIMENSION STYLE	SCALE	DESIGN UNITS	THIRD ANGLE PROJECTION
	▽=0	mm INCH	MM ONLY	4:1	METRIC	☉
	▽=0	4 PLACES ± --- ± ---	D. MARCOUX	DATE	TITLE	
	▽=0	3 PLACES ± --- ± ---	06-13-02	DATE	MX150 2X4 RECEPTACLE SEALED ASSEMBLY MAT SEAL	
	2 PLACES ± 0.10 ± ---	D.GRIFFITHS	06-13-02	DATE	molex	
	1 PLACE ± 0.3 ± ---	APPROVED BY	DATE	MATERIAL NO.	DOCUMENT NO.	SHEET NO.
	0 PLACE ± ±	FHOLUB	06-13-02	SEE NOTE 2a	SD-33472-081	4 OF 6
		ANGULAR ± 3 °		THIS DRAWING CONTAINS INFORMATION THAT IS PROPRIETARY TO MOLEX INCORPORATED AND SHOULD NOT BE USED WITHOUT WRITTEN PERMISSION		
		DRAFT WHERE APPLICABLE MUST REMAIN WITHIN DIMENSIONS	SIZE D			

20 19 18 17 16 15 14 13 12 11 10 9 8 7 6 5 4 3 2 1

BACKSHELL
THE VIEWS ON THIS SHEET ARE
IN THE CLOSED UN-ASSEMBLED POSITION



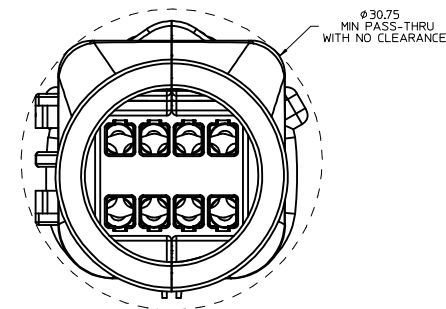
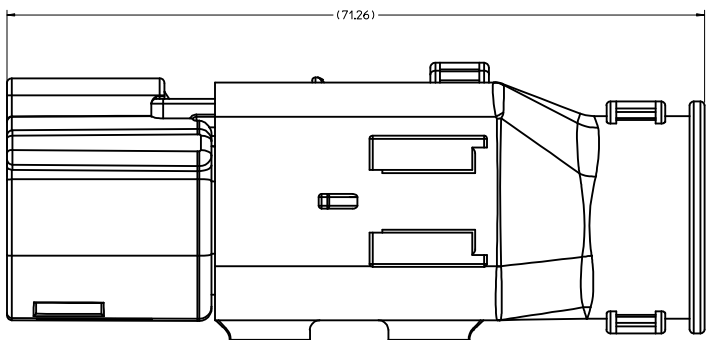
Partial X-X
SCALE 4:1

ENTER DESCRIPTION IEC NO: UAU2014-0008 DRAWN BY: 2013/07/02 CHYK: APPR: VKOSHY 2013/08/26 DESCRIPTION	QUALITY SYMBOLS ∇=0 ∇=0 ∇=0	GENERAL TOLERANCES (UNLESS SPECIFIED) <table border="1"> <thead> <tr> <th></th> <th>mm</th> <th>INCH</th> </tr> </thead> <tbody> <tr> <td>4 PLACES</td> <td>± .005</td> <td>± .0005</td> </tr> <tr> <td>3 PLACES</td> <td>± .008</td> <td>± .0008</td> </tr> <tr> <td>2 PLACES</td> <td>± 0.10</td> <td>± .004</td> </tr> <tr> <td>1 PLACE</td> <td>± 0.3</td> <td>± .012</td> </tr> <tr> <td>0 PLACE</td> <td>±</td> <td>±</td> </tr> </tbody> </table> ANGULAR ± 3 ° DRAFT WHERE APPLICABLE MUST REMAIN WITHIN DIMENSIONS		mm	INCH	4 PLACES	± .005	± .0005	3 PLACES	± .008	± .0008	2 PLACES	± 0.10	± .004	1 PLACE	± 0.3	± .012	0 PLACE	±	±	DIMENSION STYLE MM ONLY	SCALE 4:1	DESIGN UNITS METRIC	THIRD ANGLE PROJECTION
		mm	INCH																					
4 PLACES	± .005	± .0005																						
3 PLACES	± .008	± .0008																						
2 PLACES	± 0.10	± .004																						
1 PLACE	± 0.3	± .012																						
0 PLACE	±	±																						
DRAWN BY: D. MARCOUX DATE: 06-13-02 CHECKED BY: D. GRIFFITHS DATE: 06-13-02 APPROVED BY: F. HOLUB DATE: 06-13-02	TITLE MX150 2X4 RECEPTACLE SEALED ASSEMBLY MAT SEAL	MATERIAL NO. SEE NOTE 2a	DOCUMENT NO. SD-33472-081	SHEET NO. 5 OF 6																				

19 18 17 16 15 14 13 12 11 10 9 8 7 6 5 4 3 2 1

20 19 18 17 16 15 14 13 12 11 10 9 8 7 6 5 4 3 2 1

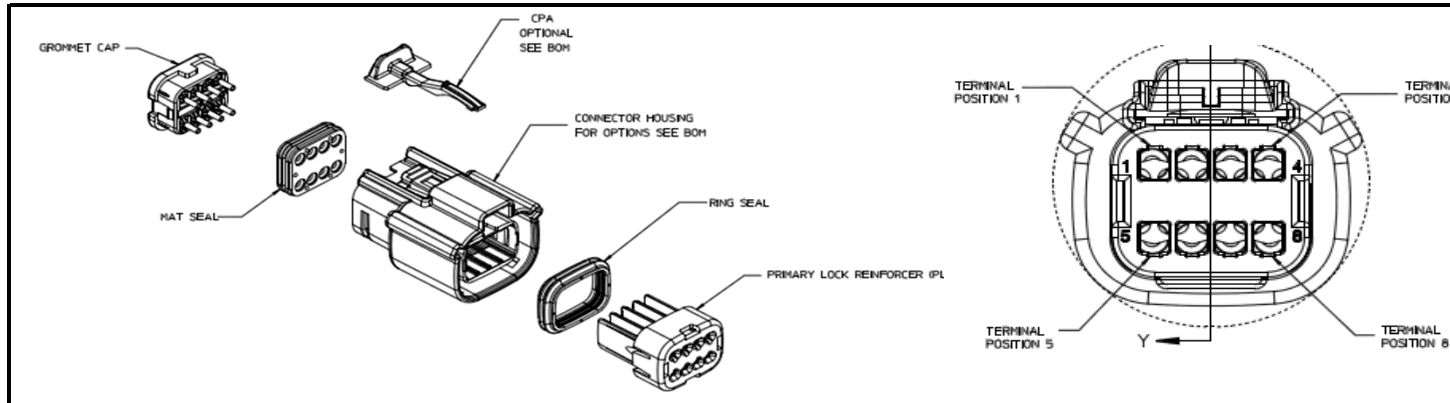
BACKSHELL CONFIGURATIONS



RECEPTACLE SEALED ASSEMBLY WITH RECEPTACLE BACKSHELL

ENTER DESCRIPTION IEC NO: UAU2014-0008 DRAWN BY: 2013/07/02 CHYK: APPR: WKSHY 2013/08/26 DESCRIPTION	QUALITY SYMBOLS	GENERAL TOLERANCES (UNLESS SPECIFIED)	DIMENSION STYLE	SCALE	DESIGN UNITS	THIRD ANGLE PROJECTION
	▽=0	mm INCH	MM ONLY	4:1	METRIC	☉
	▽=0	4 PLACES ± --- ± ---	DRAWN BY DATE			
	▽=0	3 PLACES ± --- ± ---	D. MARCOUX 06-13-02			
	2 PLACES ± 0.10 ± ---	CHECKED BY DATE				TITLE MX150 2X4 RECEPTACLE SEALED ASSEMBLY MAT SEAL molex
	1 PLACE ± 0.3 ± ---	D. GRIFFITHS 06-13-02				
	0 PLACE ± ±	APPROVED BY DATE				DOCUMENT NO.
		ANGULAR ± 3 °	MATERIAL NO.			SD-33472-081
		DRAFT WHERE APPLICABLE MUST REMAIN WITHIN DIMENSIONS	SIZE D	SEE NOTE 2a		SHEET NO. 6 OF 6
			THIS DRAWING CONTAINS INFORMATION THAT IS PROPRIETARY TO MOLEX INCORPORATED AND SHOULD NOT BE USED WITHOUT WRITTEN PERMISSION			

19 18 17 16 15 14 13 12 11 10 9 8 7 6 5 4 3 2 1



FOR ADDITIONAL INFORMATION SEE SD-33472-081

ABBREVIATION	DESCRIPTION	COLOR	MATERIAL
A-BLK	HOUSING KEYING OPTION A	BLACK	SPS/NYLON GF20
B-LG	HOUSING KEYING OPTION B	LIGHT GRAY	SPS/NYLON GF20
C-BR	HOUSING KEYING OPTION C	BROWN	SPS/NYLON GF20
D-GRN	HOUSING KEYING OPTION D	GREEN	SPS/NYLON GF20
D-BLK	HOUSING KEYING OPTION D	BLACK	SPS/NYLON GF20
C-DG	HOUSING KEYING OPTION C	DARK GRAY	SPS/NYLON GF20
D-SG	HOUSING KEYING OPTION D	STONE GRAY	SPS/NYLON GF20
A-Y	HOUSING KEYING OPTION A	YELLOW	SPS/NYLON GF20
GCO	GROMMET CAP (OPEN)	BLACK	SPS/NYLON GF20
GCP	GROMMET CAP (PLUGGED)	BLACK	SPS/NYLON GF20
PLR	PLR	NATURAL	SPS/NYLON GF20
CPA	CPA	RED	PBT GF20
M	MAT SEAL	LIGHT BLUE	INHERENTLY LUBRICATED SILICONE
R	RING SEAL	GREEN	INHERENTLY LUBRICATED SILICONE

ASSEMBLY DESCRIPTION	ASSEMBLY PART NUMBER	COMPONENT							BLOCKED TERMINALS								STATUS	COMMENTS	OPTIONAL ATTACHMENTS SOLD SEPERATELY	
		THE PRESENCE OF AN ABBREVIATION INDICATES THE PRESENCE OF THAT COMPONENT.							CAVITY WITH A NUMBER INDICATES BLOCKED TERMINAL POSITION CAVITY WITHOUT A NUMBER INDICATES OPEN TERMINAL POSITION										BACKSHELL WITH RIBS	BACKSHELL WITHOUT RIBS
		HOUSING KEY/COLOR	GROMMET CAP	PLR	CPA	MAT SEAL	RING SEAL	1	2	3	4	5	6	7	8					
KEY A, BLACK, W/O CPA	33472-0801	A-BLK	GCO	PLR		M	R											34951-0810	34951-0820	
KEY B, LIGHT GRAY, W/O CPA	33472-0802	B-LG	GCO	PLR		M	R											34951-0810	34951-0820	
KEY C, BROWN, W/O CPA	33472-0803	C-BR	GCO	PLR		M	R									NOT RECOMMENDED USE	PLEASE USE P/N 33472-0879	34951-0810	34951-0820	
KEY D, GREEN, W/O CPA	33472-0804	D-GRN	GCO	PLR		M	R									NOT RECOMMENDED USE	PLEASE USE P/N 33472-0880	34951-0810	34951-0820	
KEY D, BLACK, W/O CPA	33472-0805	D-BLK	GCO	PLR		M	R											34951-0810	34951-0820	
KEY A, BLACK, W/CPA	33472-0806	A-BLK	GCO	PLR	CPA	M	R											34951-0810	34951-0820	
KEY B, LIGHT GRAY, W/CPA	33472-0807	B-LG	GCO	PLR	CPA	M	R											34951-0810	34951-0820	
KEY C, BROWN, W/CPA	33472-0808	C-BR	GCO	PLR	CPA	M	R									NOT RECOMMENDED USE	PLEASE USE P/N 33472-0881	34951-0810	34951-0820	
KEY D, GREEN, W/CPA	33472-0809	D-GRN	GCO	PLR	CPA	M	R									NOT RECOMMENDED USE	PLEASE USE P/N 33472-0882	34951-0810	34951-0820	
VOID KEY	33472-0810																			
KEY A, BLACK, W/O CPA	33472-0811	A-BLK	GCP	PLR		M	R				4							34951-0810	34951-0820	
KEY B, LIGHT GRAY, W/O CPA	33472-0812	B-LG	GCP	PLR		M	R				4							34951-0810	34951-0820	
KEY C, BROWN, W/O CPA	33472-0813	C-BR	GCP	PLR		M	R				4					NOT RECOMMENDED		34951-0810	34951-0820	
KEY D, GREEN, W/O CPA	33472-0814	D-GRN	GCP	PLR		M	R				4					NOT RECOMMENDED		34951-0810	34951-0820	
VOID KEY	33472-0815																			
KEY A, BLACK, W/CPA	33472-0816	A-BLK	GCP	PLR	CPA	M	R				4							34951-0810	34951-0820	
KEY B, LIGHT GRAY, W/CPA	33472-0817	B-LG	GCP	PLR	CPA	M	R				4							34951-0810	34951-0820	
KEY C, BROWN, W/CPA	33472-0818	C-BR	GCP	PLR	CPA	M	R				4					NOT RECOMMENDED		34951-0810	34951-0820	
KEY D, GREEN, W/CPA	33472-0819	D-GRN	GCP	PLR	CPA	M	R				4					NOT RECOMMENDED	PLEASE USE P/N 33472-1009	34951-0810	34951-0820	
VOID KEY	33472-0820																			
KEY A, BLACK, W/O CPA	33472-0821	A-BLK	GCP	PLR		M	R				4	5						34951-0810	34951-0820	
KEY B, LIGHT GRAY, W/O CPA	33472-0822	B-LG	GCP	PLR		M	R				4	5						34951-0810	34951-0820	
KEY C, BROWN, W/O CPA	33472-0823	C-BR	GCP	PLR		M	R				4	5				NOT RECOMMENDED		34951-0810	34951-0820	
KEY D, GREEN, W/O CPA	33472-0824	D-GRN	GCP	PLR		M	R				4	5				NOT RECOMMENDED		34951-0810	34951-0820	
VOID KEY	33472-0825																			
KEY A, BLACK, W/CPA	33472-0826	A-BLK	GCP	PLR	CPA	M	R				4	5						34951-0810	34951-0820	
KEY B, LIGHT GRAY, W/CPA	33472-0827	B-LG	GCP	PLR	CPA	M	R				4	5						34951-0810	34951-0820	
KEY C, BROWN, W/CPA	33472-0828	C-BR	GCP	PLR	CPA	M	R				4	5				NOT RECOMMENDED		34951-0810	34951-0820	
KEY D, GREEN, W/CPA	33472-0829	D-GRN	GCP	PLR	CPA	M	R				4	5				NOT RECOMMENDED	PLEASE USE P/N 33472-1010	34951-0810	34951-0820	
VOID KEY	33472-0830																			
KEY A, BLACK, W/O CPA	33472-0831	A-BLK	GCP	PLR		M	R	1			4	5						34951-0810	34951-0820	
KEY B, LIGHT GRAY, W/O CPA	33472-0832	B-LG	GCP	PLR		M	R	1			4	5						34951-0810	34951-0820	
KEY C, BROWN, W/O CPA	33472-0833	C-BR	GCP	PLR		M	R	1			4	5				NOT RECOMMENDED		34951-0810	34951-0820	
KEY D, GREEN, W/O CPA	33472-0834	D-GRN	GCP	PLR		M	R	1			4	5				NOT RECOMMENDED		34951-0810	34951-0820	
VOID KEY	33472-0835																			
KEY A, BLACK, W/CPA	33472-0836	A-BLK	GCP	PLR	CPA	M	R	1			4	5						34951-0810	34951-0820	
KEY B, LIGHT GRAY, W/CPA	33472-0837	B-LG	GCP	PLR	CPA	M	R	1			4	5						34951-0810	34951-0820	
KEY C, BROWN, W/CPA	33472-0838	C-BR	GCP	PLR	CPA	M	R	1			4	5				NOT RECOMMENDED		34951-0810	34951-0820	
KEY D, GREEN, W/CPA	33472-0839	D-GRN	GCP	PLR	CPA	M	R	1			4	5				NOT RECOMMENDED		34951-0810	34951-0820	
VOID KEY	33472-0840																			
KEY A, BLACK, W/O CPA	33472-0841	A-BLK	GCP	PLR		M	R	1			4	5			8			34951-0810	34951-0820	
KEY B, LIGHT GRAY, W/O CPA	33472-0842	B-LG	GCP	PLR		M	R	1			4	5			8			34951-0810	34951-0820	
KEY C, BROWN, W/O CPA	33472-0843	C-BR	GCP	PLR		M	R	1			4	5			8	NOT RECOMMENDED		34951-0810	34951-0820	
KEY D, GREEN, W/O CPA	33472-0844	D-GRN	GCP	PLR		M	R	1			4	5			8	NOT RECOMMENDED		34951-0810	34951-0820	
VOID KEY	33472-0845																			

MX150 2X4 WAY RECEPTACLE ASSY SEALED BOM AND PIN OUT SHEET

ASSEMBLY DESCRIPTION	ASSEMBLY PART NUMBER	COMPONENT						BLOCKED TERMINALS								STATUS	COMMENTS	OPTIONAL ATTACHMENTS SOLD SEPERATELY	
		THE PRESENCE OF AN ABBREVIATION INDICATES THE PRESENCE OF THAT COMPONENT.						CAVITY WITH A NUMBER INDICATES BLOCKED TERMINAL POSITION CAVITY WITHOUT A NUMBER INDICATES OPEN TERMINAL POSITION										BACKSHELL WITH RIBS	BACKSHELL WITHOUT RIBS
		HOUSING KEY/COLOR	GROMMET CAP	PLR	CPA	MAT SEAL	RING SEAL	1	2	3	4	5	6	7	8				
KEY A, BLACK, W/CPA	33472-0846	A-BLK	GCP	PLR	CPA	M	R	1			4	5			8			34951-0810	34951-0820
KEY B, LIGHT GRAY, W/CPA	33472-0847	B-LG	GCP	PLR	CPA	M	R	1			4	5			8			34951-0810	34951-0820
KEY C, BROWN, W/CPA	33472-0848	C-BR	GCP	PLR	CPA	M	R	1			4	5			8	NOT RECOMMENDED		34951-0810	34951-0820
KEY D, GREEN, W/CPA	33472-0849	D-GRN	GCP	PLR	CPA	M	R	1			4	5			8	NOT RECOMMENDED		34951-0810	34951-0820
VOID KEY	33472-0850																		
KEY A, BLACK, W/O CPA	33472-0851	A-BLK	GCP	PLR		M	R	1	2	3	4	5	6	7	8			34951-0810	34951-0820
KEY B, LIGHT GRAY, W/O CPA	33472-0852	B-LG	GCP	PLR		M	R	1	2	3	4	5	6	7	8			34951-0810	34951-0820
KEY C, BROWN, W/O CPA	33472-0853	C-BR	GCP	PLR		M	R	1	2	3	4	5	6	7	8	NOT RECOMMENDED		34951-0810	34951-0820
KEY D, GREEN, W/O CPA	33472-0854	D-GRN	GCP	PLR		M	R	1	2	3	4	5	6	7	8	NOT RECOMMENDED		34951-0810	34951-0820
KEY D, BLACK, W/O CPA	33472-0855	D-BLK	GCP	PLR		M	R	1	2	3	4	5	6	7	8			34951-0810	34951-0820
KEY A, BLACK, W/CPA	33472-0856	A-BLK	GCP	PLR	CPA	M	R		2				6	7				34951-0810	34951-0820
KEY A, BLACK, W/CPA	33472-0857	A-BLK	GCP	PLR	CPA	M	R	1	2			5	6	7				34951-0810	34951-0820
KEY A, BLACK, W/CPA	33472-0858	A-BLK	GCP	PLR	CPA	M	R	1	2	3		5	6	7				34951-0810	34951-0820
KEY A, BLACK, W/O CPA	33472-0859	A-BLK	GCP	PLR		M	R	1	2	3			6	7	8			34951-0810	34951-0820
KEY D, BLACK, W/O CPA	33472-0860	D-BLK	GCP	PLR		M	R				4							34951-0810	34951-0820
KEY A, BLACK, W/O CPA	33472-0861	A-BLK	GCP	PLR		M	R								8			34951-0810	34951-0820
KEY A, BLACK, W/O CPA	33472-0862	A-BLK	GCP	PLR		M	R	1										34951-0810	34951-0820
KEY A, BLACK, W/O CPA	33472-0863	A-BLK	GCP	PLR		M	R		2	3		5			8			34951-0810	34951-0820
KEY A, BLACK, W/O CPA	33472-0864	A-BLK	GCP	PLR		M	R	1		3		5						34951-0810	34951-0820
KEY A, BLACK, W/O CPA	33472-0865	A-BLK	GCP	PLR		M	R	1					6					34951-0810	34951-0820
KEY A, BLACK, W/O CPA	33472-0866	A-BLK	GCP	PLR		M	R		2	3		5	6		8			34951-0810	34951-0820
KEY A, BLACK, W/O CPA	33472-0867	A-BLK	GCP	PLR		M	R	1		3		5	6					34951-0810	34951-0820
KEY A, BLACK, W/O CPA	33472-0868	A-BLK	GCP	PLR		M	R					5	6		8			34951-0810	34951-0820
KEY A, BLACK, W/O CPA	33472-0869	A-BLK	GCP	PLR		M	R						6					34951-0810	34951-0820
KEY A, BLACK, W/O CPA	33472-0870	A-BLK	GCP	PLR		M	R	1		3		5	6	7	8			34951-0810	34951-0820
KEY A, BLACK, W/O CPA	33472-0871	A-BLK	GCP	PLR		M	R		2	3	4	5	6	7				34951-0810	34951-0820
KEY A, BLACK, W/O CPA	33472-0872	A-BLK	GCP	PLR		M	R							7	8			34951-0810	34951-0820
KEY A, BLACK, W/O CPA	33472-0873	A-BLK	GCP	PLR		M	R		2	3			6	7	8			34951-0810	34951-0820
KEY A, BLACK, W/O CPA	33472-0874	A-BLK	GCP	PLR		M	R		2	3								34951-0810	34951-0820
KEY A, BLACK, W/O CPA	33472-0875	A-BLK	GCP	PLR		M	R	1			4							34951-0810	34951-0820
KEY A, BLACK, W/O CPA	33472-0876	A-BLK	GCP	PLR		M	R		2	3		5	6	7	8			34951-0810	34951-0820
KEY A, BLACK, W/CPA	33472-0877	A-BLK	GCP	PLR	CPA	M	R								8			34951-0810	34951-0820
KEY A, BLACK, W/O CPA	33472-0878	A-BLK	GCP	PLR		M	R			3		5	6					34951-0810	34951-0820
KEY C, DARK GRAY, W/O CPA	33472-0879	C-DG	GCO	PLR		M	R											34951-0810	34951-0820
KEY D, STONE GRAY, W/O CPA	33472-0880	D-SG	GCO	PLR		M	R											34951-0810	34951-0820
KEY C, DARK GRAY, W/CPA	33472-0881	C-DG	GCO	PLR	CPA	M	R											34951-0810	34951-0820
KEY D, STONE GRAY, W/CPA	33472-0882	D-SG	GCO	PLR	CPA	M	R											34951-0810	34951-0820
KEY A, BLACK, W/O CPA	33472-0883	A-BLK	GCP	PLR		M	R		2	3	4	5		7	8			34951-0810	34951-0820
KEY A, BLACK, W/O CPA	33472-0884	A-BLK	GCP	PLR		M	R			3			6	7				34951-0810	34951-0820
KEY A, BLACK, W/O CPA	33472-0885	A-BLK	GCP	PLR		M	R		2	3	4	5	6		8			34951-0810	34951-0820
KEY A, BLACK, W/O CPA	33472-0886	A-BLK	GCP	PLR		M	R			3			6		8			34951-0810	34951-0820
KEY B, LIGHT GRAY, W/CPA	33472-0887	B-LG	GCP	PLR	CPA	M	R								8			34951-0810	34951-0820
KEY B, LIGHT GRAY, W/O CPA	33472-0888	B-LG	GCP	PLR		M	R	1					6					34951-0810	34951-0820
KEY A, BLACK, W/O CPA	33472-0889	A-BLK	GCP	PLR		M	R	1				5						34951-0810	34951-0820
KEY A, YELLOW, W/CPA	33472-0890	A-Y	GCP	PLR	CPA	M	R		2	3								34951-0810	34951-0820
KEY A, YELLOW, W/CPA	33472-0891	A-Y	GCO	PLR	CPA	M	R											34951-0810	34951-0820
KEY A, YELLOW, W/O CPA	33472-0892	A-Y	GCO	PLR		M	R											34951-0810	34951-0820
KEY A, BLACK, W/CPA	33472-0893	A-BLK	GCP	PLR	CPA	M	R						6					34951-0810	34951-0820
KEY A, BLACK, W/CPA	33472-0894	A-BLK	GCP	PLR	CPA	M	R	1	2	3			6	7	8			34951-0810	34951-0820
KEY A, BLACK, W/O CPA	33472-0895	A-BLK	GCP	PLR		M	R	1	2									34951-0810	34951-0820
KEY A, BLACK, W/O CPA	33472-1001	A-BLK	GCP	PLR		M	R	1	2	3	4							34951-0810	34951-0820
KEY B, LIGHT GRAY, W/O CPA	33472-1002	B-LG	GCP	PLR		M	R						6					34951-0810	34951-0820
KEY A, BLACK, W/O CPA	33472-1003	A-BLK	GCP	PLR		M	R	1			4							34951-0810	34951-0820
KEY A, BLACK, W/O CPA	33472-1004	A-BLK	GCP	PLR		M	R		2	3		5	6	7	8			34951-0810	34951-0820
KEY A, BLACK, W/CPA	33472-1005	A-BLK	GCP	PLR	CPA	M	R								8			34951-0810	34951-0820
KEY A, BLACK, W/O CPA	33472-1006	A-BLK	GCP	PLR		M	R	1	2	3	4	5	6					34951-0810	34951-0820
KEY A, BLACK, W/CPA	33472-1007	A-BLK	GCP	PLR	CPA	M	R						6	7				34951-0810	34951-0820
KEY A, BLACK, W/CPA	33472-1008	A-BLK	GCP	PLR	CPA	M	R							7				34951-0810	34951-0820
KEY D, STONE GRAY, W/CPA	33472-1009	D-SG	GCP	PLR	CPA	M	R				4							34951-0810	34951-0820
KEY D, STONE GRAY, W/CPA	33472-1010	D-SG	GCP	PLR	CPA	M	R				4	5						34951-0810	34951-0820
KEY D, STONE GRAY, W/CPA	33472-1011	D-SG	GCP	PLR	CPA	M	R				4	5	6					34951-0810	34951-0820

ASSEMBLY DESCRIPTION	ASSEMBLY PART NUMBER	COMPONENT						BLOCKED TERMINALS								STATUS	COMMENTS	OPTIONAL ATTACHMENTS SOLD SEPERATELY	
		THE PRESENCE OF AN ABBREVIATION INDICATES THE PRESENCE OF THAT COMPONENT.						CAVITY WITH A NUMBER INDICATES BLOCKED TERMINAL POSITION CAVITY WITHOUT A NUMBER INDICATES OPEN TERMINAL POSITION										BACKSHELL WITH RIBS	BACKSHELL WITHOUT RIBS
		HOUSING KEY/COLOR	GROMMET CAP	PLR	CPA	MAT SEAL	RING SEAL	1	2	3	4	5	6	7	8				
KEY A, BLACK, W/O CPA	33472-1012	A-BLK	GCP	PLR		M	R				4			7	8			34951-0810	34951-0820
KEY A, BLACK, W/CPA	33472-1013	A-BLK	GCP	PLR	CPA	M	R			3	4	5	6	7	8			34951-0810	34951-0820
KEY A, BLACK, W/O CPA	33472-1014	A-BLK	GCP	PLR		M	R			3	4	5	6	7	8			34951-0810	34951-0820
KEY A, BLACK, W/CPA	33472-1015	A-BLK	GCP	PLR	CPA	M	R				4			7	8			34951-0810	34951-0820
KEY A, BLACK, W/O CPA	33472-1016	A-BLK	GCP	PLR		M	R						6	7	8			34951-0810	34951-0820
KEY A, BLACK, W/O CPA	33472-1017	A-BLK	GCP	PLR		M	R	1		3	4				8			34951-0810	34951-0820
KEY A, BLACK, W/CPA	33472-1018	A-BLK	GCP	PLR	CPA	M	R					5	6	7	8			34951-0810	34951-0820
KEY A, BLACK, W/CPA	33472-1019	A-BLK	GCP	PLR	CPA	M	R							7	8			34951-0810	34951-0820
KEY A, BLACK, W/CPA	33472-1020	A-BLK	GCP	PLR	CPA	M	R		2	3	4		6	7	8			34951-0810	34951-0820
KEY A, BLACK, W/CPA	33472-1021	A-BLK	GCP	PLR	CPA	M	R	1	2	3	4	5	6	7	8			34951-0810	34951-0820
KEY A, BLACK, W/CPA	33472-1022	A-BLK	GCP	PLR	CPA	M	R	1				5						34951-0810	34951-0820
KEY A, BLACK, W/O CPA	33472-1023	A-BLK	GCP	PLR		M	R					5	6	7	8			34951-0810	34951-0820
KEY A, BLACK, W/O CPA	33472-1024	A-BLK	GCP	PLR		M	R			3	4							34951-0810	34951-0820
KEY D, STONE GRAY, W/O CPA	33472-1025	D-SG	GCP	PLR		M	R				4	5	6					34951-0810	34951-0820
KEY D, STONE GRAY, W/O CPA	33472-1026	D-SG	GCP	PLR		M	R				4							34951-0810	34951-0820
KEY B, LIGHT GRAY, W/O CPA	33472-1027	B-LG	GCP	PLR		M	R							7	8			34951-0810	34951-0820
KEY A, BLACK, W/O CPA	33472-1028	A-BLK	GCP	PLR		M	R	1	2	3	4			7	8			34951-0810	34951-0820
KEY A, BLACK, W/O CPA	33472-1029	A-BLK	GCP	PLR		M	R			3	4				8			34951-0810	34951-0820
KEY A, BLACK, W/O CPA	33472-1030	A-BLK	GCP	PLR		M	R	1	2	3	4	5		7				34951-0810	34951-0820
KEY A, BLACK, W/O CPA	33472-1031	A-BLK	GCP	PLR		M	R					5						34951-0810	34951-0820
KEY A, BLACK, W/O CPA	33472-1032	A-BLK	GCP	PLR		M	R		2			5						34951-0810	34951-0820
KEY B, LIGHT GRAY, W/O CPA	33472-1033	B-LG	GCP	PLR		M	R	1		3					8			34951-0810	34951-0820
KEY B, LIGHT GRAY, W/O CPA	33472-1034	B-LG	GCP	PLR		M	R			3					8			34951-0810	34951-0820
KEY B, LIGHT GRAY, W/O CPA	33472-1035	B-LG	GCP	PLR		M	R	1										34951-0810	34951-0820
KEY A, BLACK, W/O CPA	33472-1036	A-BLK	GCP	PLR		M	R	1							8			34951-0810	34951-0820
KEY A, BLACK, W/O CPA	33472-1037	A-BLK	GCP	PLR		M	R						6		8			34951-0810	34951-0820
KEY A, BLACK, W/O CPA	33472-1038	A-BLK	GCP	PLR		M	R	1			4	5	6	7	8			34951-0810	34951-0820
KEY A, BLACK, W/O CPA	33472-1039	A-BLK	GCP	PLR		M	R		2					7				34951-0810	34951-0820