



TABLE OF CONTENTS	
SHEET NO.	SHEET DESCRIPTION
1	NOTES AND BOM
2	CONFIGURATIONS
3-4	KEY CONFIGURATIONS
5	RECEPTACLE CONNECTOR ASSEMBLY
6	BACKSHELL NOTES
7	BACKSHELL
8	BACKSHELL CONFIGURATIONS

NOTES: VALID UNLESS OTHERWISE SPECIFIED

1. GENERAL:
- a. APPLICATION SPECIFICATION SEE: AS-33472-100  
 -CONTAINS: PRODUCT INTRODUCTION, PRODUCT SUMMARY, CONNECTOR ASSEMBLY, PACKAGING INFORMATION, CONNECTOR MATING, SERVICE INSTRUCTIONS, ELECTRICAL CONTINUITY CHECKING, CRIMPING, AND TROUBLESHOOTING.  
 -DESIGNED TO MATE WITH DEVICE OR CONNECTOR AS SPECIFIED IN THE MATING INTERFACE/CONNECTOR DRAWINGS CHART.  
 \*DENOTES DRAWINGS THAT CAN BE ACCESSED AT <http://ewcap.uscarteams.org/>.  
 -ASSEMBLY SHIPPED WITH PLR IN PRE-LOCK POSITION (SEE PLR PRE-LOCK VIEW SHEET 5).

- b. PRODUCT SPECIFICATION SEE:  
 -STANDARD CONFIGURATION: PS-33472-000  
 -TRANSMISSION CONFIGURATION: TS-160038-0001  
 -UL V0 CONFIGURATION: TBD  
 CONTAINS: PRODUCT INTRODUCTION, PRODUCT SUMMARY, RATINGS (CURRENT, TEMPERATURE, SEALING, AND FLAMMABILITY), TERMINALS, WIRE DIAMETER RANGE, PRODUCT VALIDATION, AND PRODUCT DEVIATIONS.

- c. PACKAGING SPECIFICATION PER MOLEX DRAWING; SEE PACKAGING CHART  
 d. PARTS MUST BE IN COMPLIANCE TO MOLEX CHEMICAL SUBSTANCES FOR PRODUCTS AND PACKAGING SPECIFICATION: OEHS-699000-301  
 e. DATA MUST BE SUBMITTED UNDER THE MOLEX PART NUMBER TO IMDS (COMPANY ID#13255)

2. DESIGN - MATERIALS:

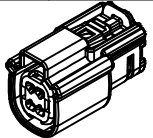
- a. FOR BILL OF MATERIALS SEE:  
 -STANDARD CONFIGURATION SD-33472-0002  
 -TRANSMISSION CONGRURATION SD-160038-0002  
 -UL V0 CONFIGURATION SD-160074-0002  
 b. TRANSMISSION CONNECTOR COMPONENTS MUST MEET THE MATERIAL REQUIREMENTS SPECIFIED IN TS-160038-0001

3. DESIGN - GEOMETRY:

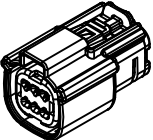
- a. THE 3-D CAD DATA IS BASIC (WITHOUT TOLERANCE) AND MASTER FOR THIS PART WITH THE EXCEPTION OF UNDERLINED DIMENSIONS. DIMENSIONAL INFORMATION NOT SHOWN ON THIS DRAWING IS DEFINED BY THE DATA FILE AT ITS LATEST REVISION.  
 b. GEOMETRIC DIMENSIONS AND TOLERANCES PER ASME Y14.5M-2009  
 c. EDGES AND UNDIMENSIONED DETAILS PER ISO13715  
 d. CORNERS SHOWN AS SHARP TO BE R 0.2 MAX.  
 e. LETTERING SHALL BE 0.15 MAX RAISED IN 0.25 MAX RECESS PAD. THIS INCLUDES RECYCLING CODE, CAVITY ID, VENDOR IDENTIFICATION, AND CUSTOMER MATERIAL NUMBER.  
 f. VISUAL DEFECTS SHALL MEET COSMETIC STANDARD PS-45499-002 (Class B).  
 g. LASER MARKING:  
 1. PART NUMBER  
 2. DAY OF THE YEAR  
 3. SHIFT  
 4. YEAR  
 FOR ADDITIONAL INFORMATION SEE SECTION 5 UNDER PROCEDURES IN ES-34735-008.

PACKAGING	
DESCRIPTION	DRAWING NO.
2X2	PK-31300-635
2X3	PK-31300-903
2X4	PK-31300-903
2X6	PK-31300-903
2X8	PK-31300-903
2X10	PK-31300-903

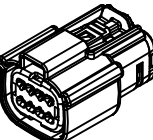
MATING INTERFACE/CONNECTOR DRAWINGS		
DESCRIPTION	INTERFACE DEFINITION	MOLEX INLINE
STANDARD 2X2	*150-S-004-2-Z02	SD-33482-041
UL V0 2X2	*150-S-004-2-Z02	SD-33482-0001
STANDARD 2X3	*150-S-006-2-Z02	SD-33482-061
TRANSMISSION 2X3	*150-S-006-2-Z02	N/A
STANDARD 2X4	*150-S-008-2-Z02	SD-33482-081
UL V0 2X4	*150-S-008-2-Z02	SD-33482-0001
STANDARD 2X6	*150-S-012-2-Z01	SD-33482-0001
STANDARD 2X8	*150-S-016-2-Z01	SD-33482-0001
STANDARD 2X10	E-33472-201	SD-33482-0001
UL V0 2X10	E-33472-201	SD-33482-0001



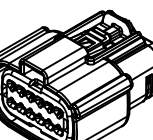
2x2



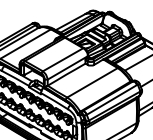
2x3



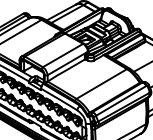
2x4



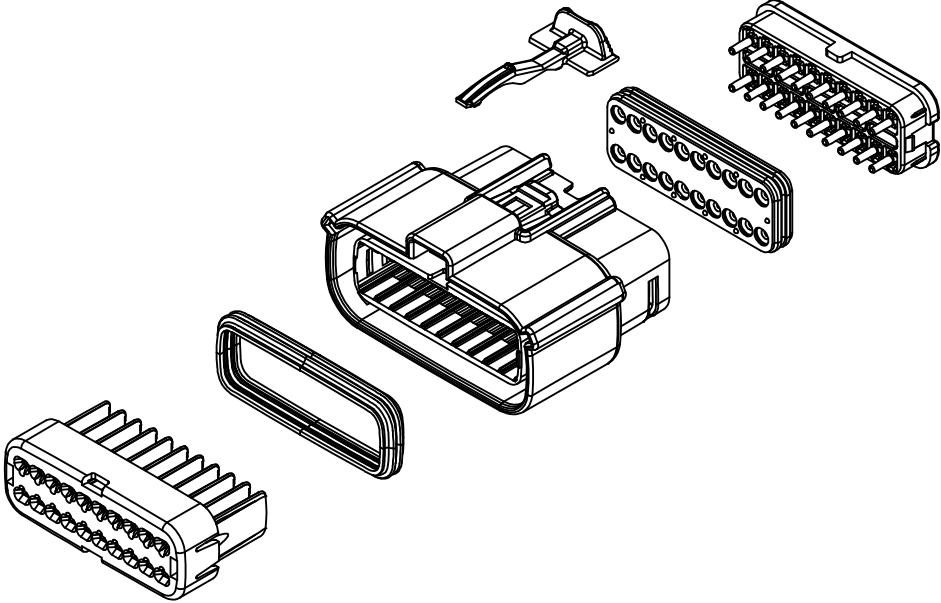
2x6



2x8



2x10



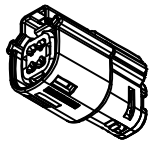
INSPECTION NUMBER LOG
LAST NUMBER: 10
ADDED:
REMOVED:

A4	ADD UL V0 CONFIGURATIONS
A3	ADDED 2X3 STD AND TRANSMISSION
A2	UPDATED 2X8 BLD DRAWINGS
A1	FIXED TYPO IN NOTE 1a, UPDATED 2X6 MOLEX INLINE BLADE DRAWING
A	INITIAL RELEASE

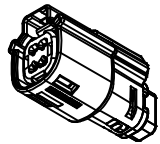
ENTER DESCRIPTION ELC NO: UA0205-1759 DRWNA PROFFITT 2015/05/22 CHKOKBERUSZENSK 2015/06/03 APPR:VKOSHY 2015/06/04	QUALITY SYMBOLS ▽=0 ▽=0 ▽=0	GENERAL TOLERANCES (UNLESS SPECIFIED) mm INCH		DIMENSION STYLE MM ONLY		SCALE 1.5:1	DESIGN UNITS METRIC	THIRD ANGLE PROJECTION		
		4 PLACES ± --- ± ---	3 PLACES ± --- ± ---	2 PLACES ± 0.10 ± ---	1 PLACE ± 0.2 ± ---				0 PLACE ± --- ± ---	DRAWN BY DATE APROFFITT 2014/05/14
		ANGULAR ± 1 ° DRAFT WHERE APPLICABLE MUST REMAIN WITHIN DIMENSIONS							CHECKED BY DATE APPROVED BY DATE VKOSHY 2014/06/27	
		MATERIAL NO. SEE NOTE 2a.							TITLE MX150 RCPT DUAL ROW SEALED ASSEMBLY MAT SEAL	
DOCUMENT NO. SD-33472-0001						SHEET NO. 1 OF 8				

**SHEET DESCRIPTION**

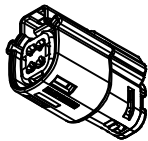
**CONFIGURATIONS**



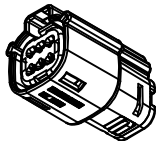
2X2 - STANDARD (STD)



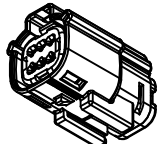
2X2 - LENGTHENED



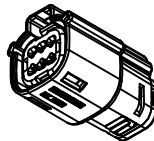
2X2 - UL V0 CONFIGURATION †



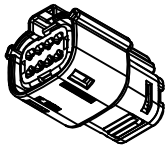
2X3 - STANDARD (STD)



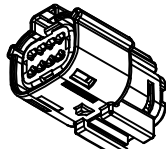
2X3 - STANDARD (STD)  
WITH CLIPSLOT \*



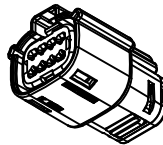
2X3 - TRANSMISSION FLUID CONFIGURATION †



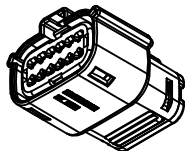
2X4 - STANDARD (STD)



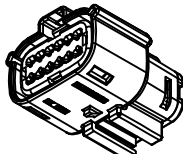
2X4 - STANDARD (STD)  
WITH CLIPSLOT \*



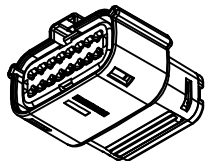
2X4 - UL V0 CONFIGURATION †



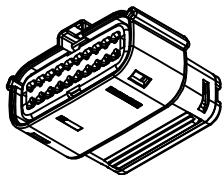
2X6 - STANDARD (STD)



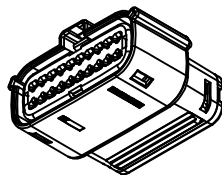
2X6 - STANDARD (STD)  
WITH CLIPSLOT \*



2X8 - STANDARD (STD)



2X10 - STANDARD (STD)



2X10 - UL V0 CONFIGURATION †

\* WITH CLIPSLOT CONFIGURATION DOES NOT MEET THE USCAR PACKAGING FRAME REQUIREMENTS

† SAME GEOMETRY AS STANDARD CONFIGURATION. SEE NOTES 2b-c FOR MORE INFORMATION

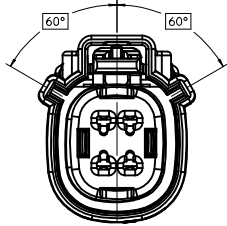
<b>ENTER DESCRIPTION</b> EC NO: UAU2015-1759 DRAWN/PROFIT: 2015/05/22 CHKD/KBORUSZENSKI 2015/06/03 APPR:VKOSHY 2015/06/04	QUALITY SYMBOLS ▽=0 ▽=0 ▽=0	GENERAL TOLERANCES (UNLESS SPECIFIED)		DIMENSION STYLE <b>MM ONLY</b>		SCALE <b>1.5:1</b>	DESIGN UNITS <b>METRIC</b>	THIRD ANGLE PROJECTION									
		4 PLACES ±--- ±---	3 PLACES ±--- ±---	2 PLACES ±0.10 ±---	1 PLACE ±0.2 ±---	0 PLACE ±--- ±---	ANGULAR ± 1 °	DRAFT WHERE APPLICABLE MUST REMAIN WITHIN DIMENSIONS	DRAWN BY APROFFITT	DATE 2014/05/14	CHECKED BY	DATE	APPROVED BY VKOSHY	DATE 2014/06/27	MATERIAL NO.	DOCUMENT NO. SD-33472-0001	SHEET NO. 2 OF 8
		SEE NOTE 2a.		THIS DRAWING CONTAINS INFORMATION THAT IS PROPRIETARY TO MOLEX INCORPORATED AND SHOULD NOT BE USED WITHOUT WRITTEN PERMISSION													
		A4															

**SHEET DESCRIPTION**  
KEY CONFIGURATIONS

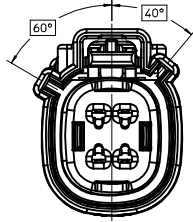
**2X2**

**2X3**

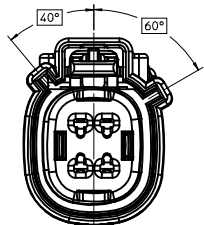
**2X4**



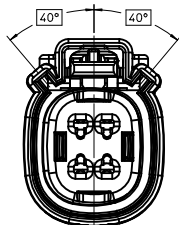
KEY A



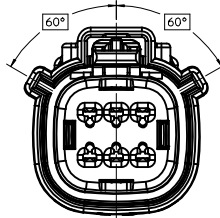
KEY B



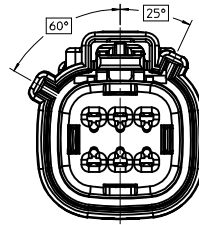
KEY C



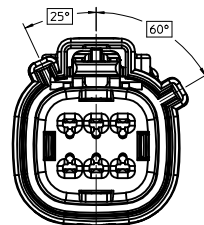
KEY D



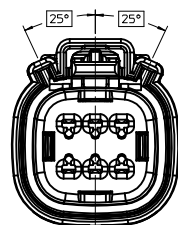
KEY A



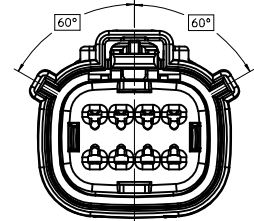
KEY B



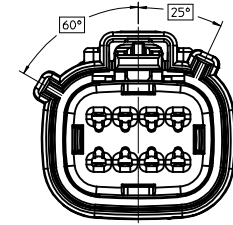
KEY C



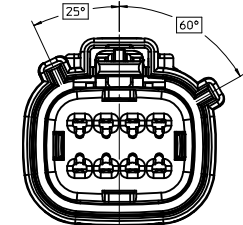
KEY D



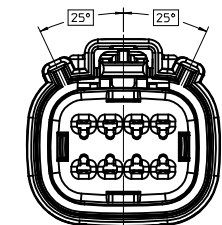
KEY A



KEY B



KEY C



KEY D

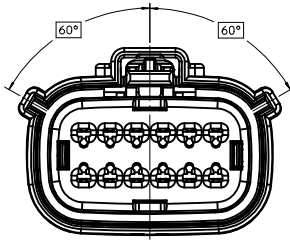
<b>ENTER DESCRIPTION</b> EC NO: UAU2015-759 DRAWN/APPROV ITT 2015/05/22 CHYKORBORUSZENSK 2015/06/03 APPR:VKOSHY 2015/06/04 A4	QUALITY SYMBOLS ∇=0 ∇=0 ∇=0	GENERAL TOLERANCES (UNLESS SPECIFIED)		DIMENSION STYLE <b>MM ONLY</b>		SCALE 3:1	DESIGN UNITS METRIC	THIRD ANGLE PROJECTION	
		4 PLACES ± --- ± --- 3 PLACES ± --- ± --- 2 PLACES ± 0.10 ± --- 1 PLACE ± 0.2 ± --- 0 PLACE ± --- ± ---	mm INCH	DRAWN BY APROFF ITT	DATE 2014/05/14	TITLE DUAL ROW SEALED ASSEMBLY MAT SEAL			
		ANGULAR ± 1 ° DRAFT WHERE APPLICABLE MUST REMAIN WITHIN DIMENSIONS		APPROVED BY VKOSHY	DATE 2014/06/27	MATERIAL NO. SEE NOTE 2a.			
				DOCUMENT NO. SD-33472-0001		SHEET NO. 3 OF 8			

**SHEET DESCRIPTION**  
KEY CONFIGURATIONS CONT.

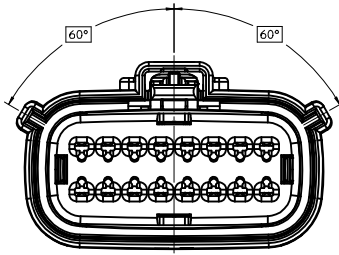
**2X6**

**2X8**

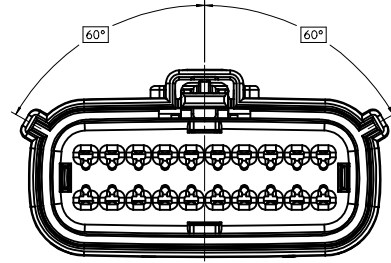
**2X10**



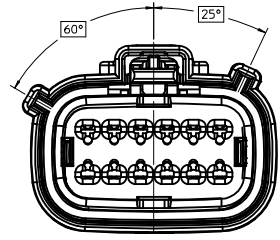
KEY A



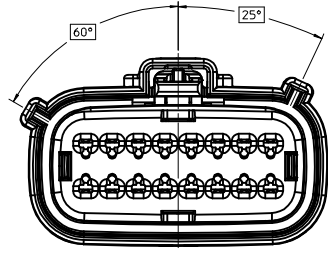
KEY A



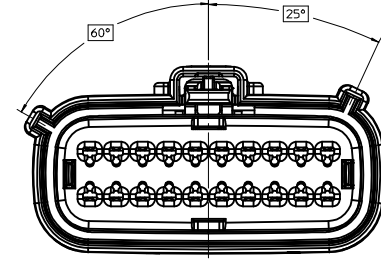
KEY A



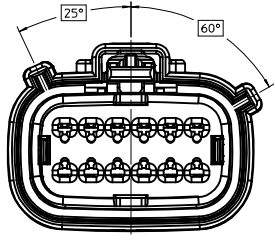
KEY B



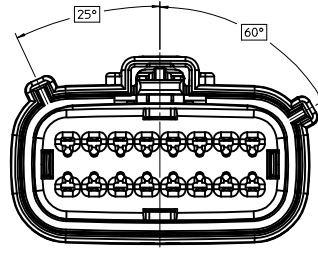
KEY B



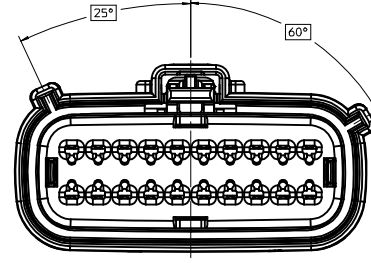
KEY B



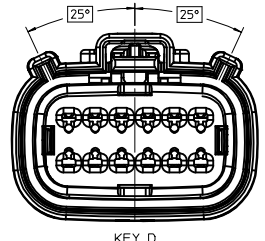
KEY C



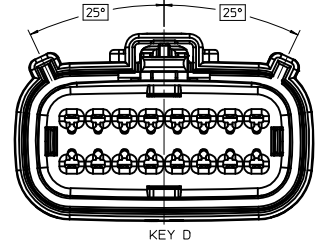
KEY C



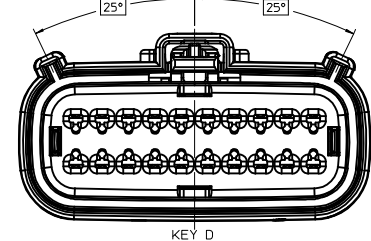
KEY C



KEY D



KEY D



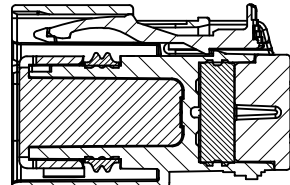
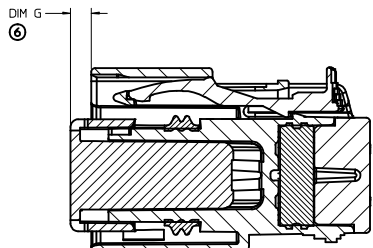
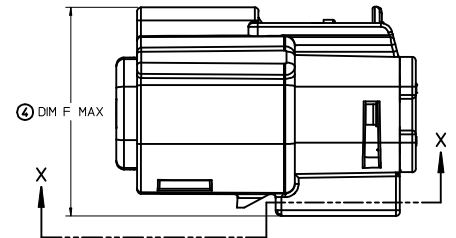
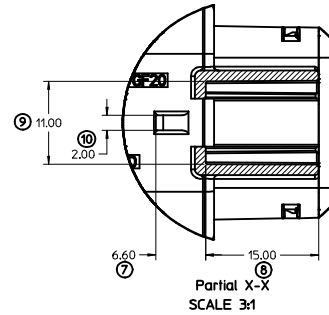
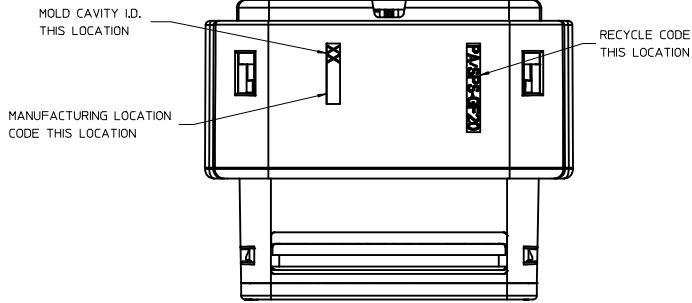
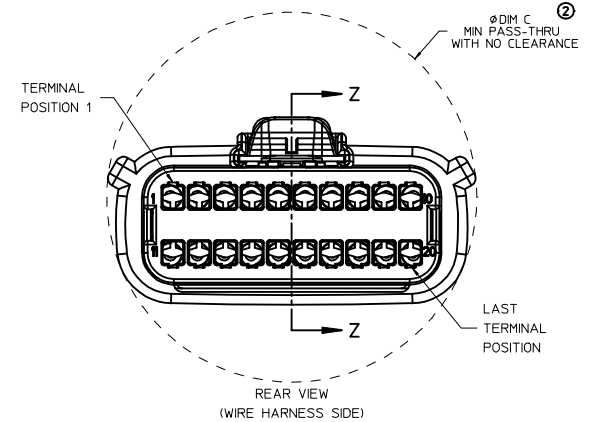
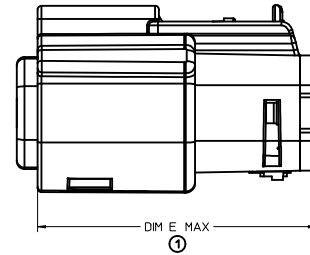
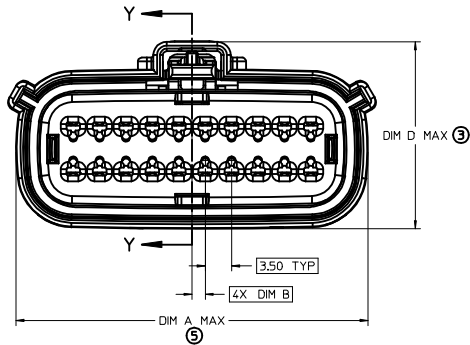
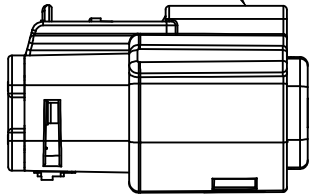
KEY D

<b>ENTER DESCRIPTION</b> ELEC NO: UA02015-759 DRAWN BY: APPOFFITT 2015/05/22 CHKD BY: BORUSZENSK 2015/06/03 APPR: VKOSHY 2015/06/04	<b>QUALITY SYMBOLS</b> ▽=0 ▽=0 ▽=0	<b>GENERAL TOLERANCES (UNLESS SPECIFIED)</b>		<b>DIMENSION STYLE</b> <b>MM ONLY</b>	<b>SCALE</b> 3:1	<b>DESIGN UNITS</b> METRIC	<input checked="" type="checkbox"/> <b>THIRD ANGLE PROJECTION</b>
		4 PLACES ± --- ± --- 3 PLACES ± --- ± --- 2 PLACES ± 0.10 ± --- 1 PLACE ± 0.2 ± --- 0 PLACE ± --- ± ---	mm INCH APPROVED BY: DATE VKOSHY 2014/06/27	MATERIAL NO.	DOCUMENT NO.	SHEET NO.	
		ANGULAR ± 1° DRAFT WHERE APPLICABLE MUST REMAIN WITHIN DIMENSIONS	SEE NOTE 2a.	SD-33472-0001	4 OF 8		
		THIS DRAWING CONTAINS INFORMATION THAT IS PROPRIETARY TO MOLEX INCORPORATED AND SHOULD NOT BE USED WITHOUT WRITTEN PERMISSION					

**SHEET DESCRIPTION**  
RECEPTACLE CONNECTOR ASSEMBLY

DESCRIPTION	DIMENSIONS						
	A	B	C	D	E	F	G
2X2 STANDARD	18.58	1.75	25.45	24.81	37.65	N/A	2.75±0.50
2X2 LENGTHENED	18.58	1.75	25.45	24.81	42.25	N/A	2.75±0.50
2X3 W/ CLIPSLOT	22.25	3.50	30.50	N/A	37.65	27.96	4.0±0.4
2X3 W/O CLIPSLOT	22.25	3.50	26.24	24.90	37.65	N/A	4.0±0.4
2X4 W/ CLIPSLOT	25.75	1.75	31.50	N/A	37.65	28.00	2.75±0.50
2X4 W/O CLIPSLOT	25.75	1.75	29.19	24.81	37.65	N/A	2.75±0.50
2X6 W/ CLIPSLOT	32.75	1.75	35.58	N/A	37.65	27.76	2.75±0.50
2X6 W/O CLIPSLOT	32.75	1.75	35.58	24.90	37.65	N/A	2.75±0.40
2X8 W/O CLIPSLOT	39.80	1.75	42.25	24.90	37.65	N/A	4.0±0.4
2X10 W/O CLIPSLOT	46.75	1.75	49.05	24.90	37.65	N/A	2.75±0.50

LASER MARKING ON THIS SURFACE  
SEE NOTE 3g.



PRIMARY LOCK REINFORCEMENT (PLR) SHOWN  
IN PRE-STAGED POSITION  
SECTION Y-Y

PRIMARY LOCK REINFORCEMENT (PLR) SHOWN  
IN FINAL-LOCK POSITION  
SECTION Z-Z

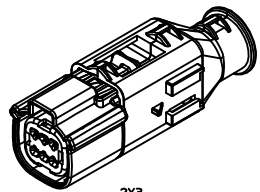
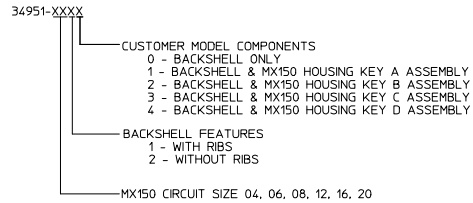
<b>ENTER DESCRIPTION</b> LEC NO: UAU2015-1759 DRWN:APROFF ITT 2015/05/22 CHKD:KABORUSZENSK 2015/06/03 APPR:VKOSHY 2015/06/04	QUALITY SYMBOLS	GENERAL TOLERANCES (UNLESS SPECIFIED)	DIMENSION STYLE	SCALE	DESIGN UNITS	THIRD ANGLE PROJECTION
	▽=0	4 PLACES ± --- ± ---	MM ONLY	3:1	METRIC	☉
	▽=0.1	3 PLACES ± --- ± ---				
	▽=0.2	2 PLACES ± 0.10 ± ---				
▽=0	1 PLACE ± 0.2 ± ---	ANGULAR ± 1°	DRAWN BY DATE	APPROVED BY DATE	TITLE	
	0 PLACE ± --- ± ---	DRAFT WHERE APPLICABLE MUST REMAIN WITHIN DIMENSIONS	APROFF ITT 2014/05/14	VKOSHY 2014/06/27	MX150 RCPT DUAL ROW SEALED ASSEMBLY MAT SEAL	
			SEE NOTE 2a.		<b>molex</b> DOCUMENT NO. SD-33472-0001	
			THIS DRAWING CONTAINS INFORMATION THAT IS PROPRIETARY TO MOLEX INCORPORATED AND SHOULD NOT BE USED WITHOUT WRITTEN PERMISSION		SHEET NO. 5 OF 8	

**SHEET DESCRIPTION**  
BACKSHELL NOTES

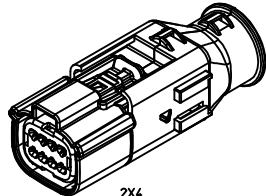
BACKSHELL NOTES: VALID UNLESS OTHERWISE SPECIFIED

1. GENERAL:  
 a. APPLICATION SPECIFICATION SEE: AS-34951-001  
 -DESIGNED TO MATE WITH RECEPTACLE SEALED ASSEMBLY SPECIFIED IN MOLEX DRAWING SD-33472-0001.  
 -SYSTEM TO BE USED WITH WIRE WITHIN DIAMETER RANGE OF 1.2mm TO 2.69mm.  
 -COMPONENTS ARE OPTIONAL AND MUST BE PURCHASED SEPERATELY.  
 -BACKSHELL DESIGN IS OWNED BY SCHLEMMER.  
 -FOR ADDITIONAL INFORMATION SEE THE BACKSHELL COMPONENT DRAWING SD-34951-0001.

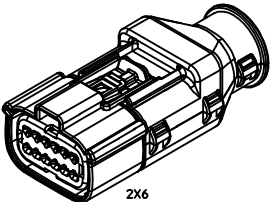
BACKSHELL CUSTOMER MODEL NUMBER LEGEND



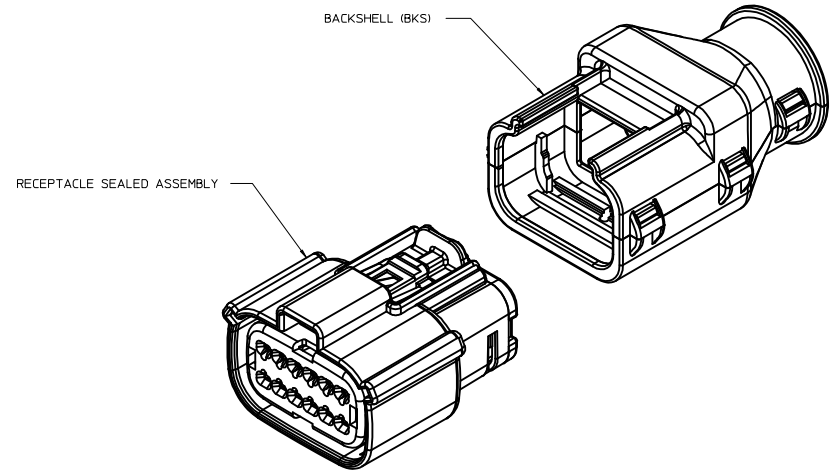
2X3



2X4



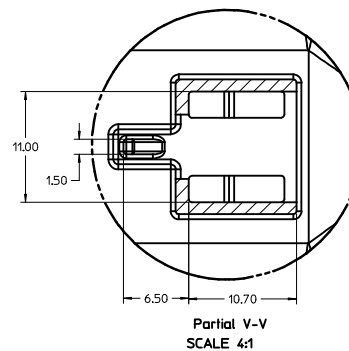
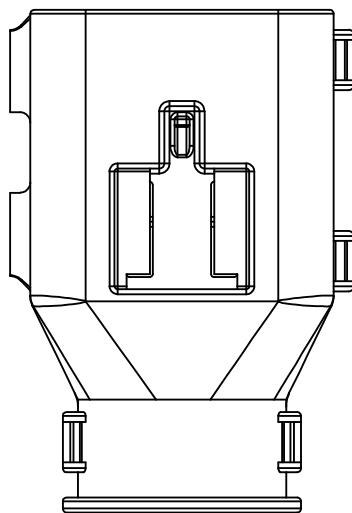
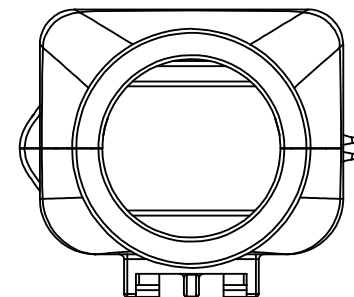
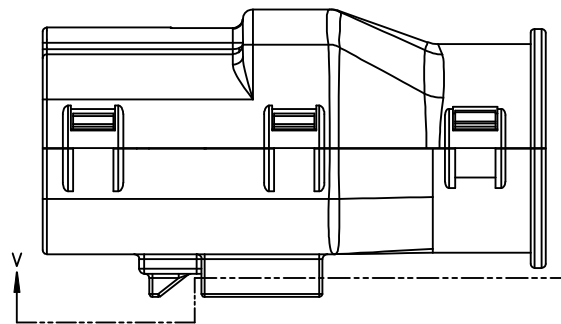
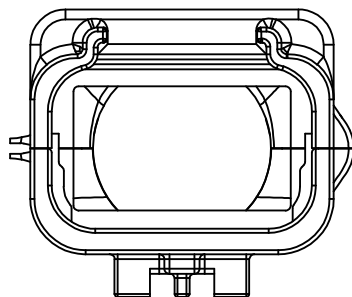
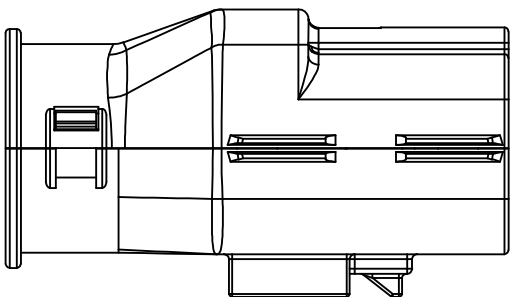
2X6



ENTER DESCRIPTION ELEC NO: UAU2015-759 DRAWN BY: APROFFITT 2015/05/22 CHKD BY: KORUSZEWSKI 2015/06/03 APPR: WKOSHY 2015/06/04	QUALITY SYMBOLS ▽=0 ▽=0 ▽=0	GENERAL TOLERANCES (UNLESS SPECIFIED)		DIMENSION STYLE <b>MM ONLY</b>		SCALE 4:1	DESIGN UNITS METRIC	THIRD ANGLE PROJECTION	
		4 PLACES ± --- ± ---	3 PLACES ± --- ± ---	2 PLACES ± 0.10 ± ---	1 PLACE ± 0.2 ± ---	0 PLACE ± --- ± ---	DRAWN BY DATE APROFFITT 2014/05/14		TITLE MX150 RCPT DUAL ROW SEALED ASSEMBLY MAT SEAL
		ANGULAR ± 1 °		DRAFT WHERE APPLICABLE MUST REMAIN WITHIN DIMENSIONS		APPROVED BY DATE WKOSHY 2014/06/27		MATERIAL NO.	
		SEE NOTE 2a.		DOCUMENT NO. SD-33472-0001		SHEET NO. 6 OF 8			

**SHEET DESCRIPTION**

BACKSHELL

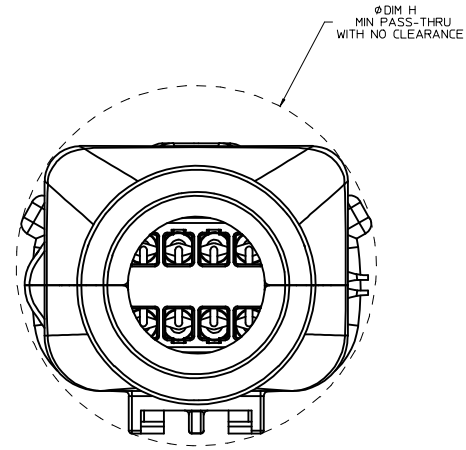
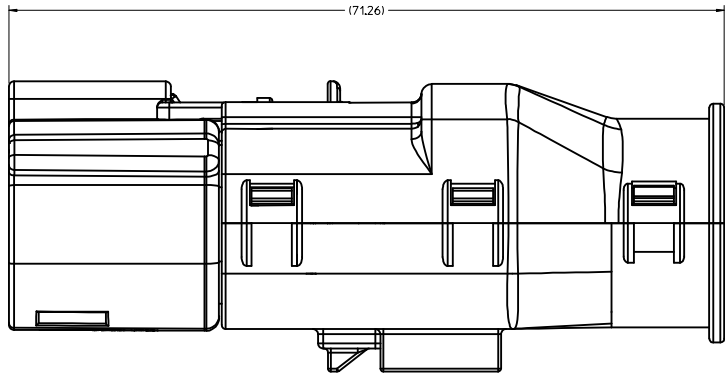


<b>ENTER DESCRIPTION</b> ELEC NO: UA02015-1759 DRAWN BY: APROFFITT 2015/05/22 CHKD BY: BORUSZENSK 2015/06/03 APPR: VKOSHY 2015/06/04	QUALITY SYMBOLS ∇=0 ∇=1 ∇=2 ∇=3	GENERAL TOLERANCES (UNLESS SPECIFIED)		DIMENSION STYLE <b>MM ONLY</b>		SCALE <b>4:1</b>	DESIGN UNITS <b>METRIC</b>	THIRD ANGLE PROJECTION	
		4 PLACES ± --- ± --- 3 PLACES ± --- ± --- 2 PLACES ± 0.10 ± --- 1 PLACE ± 0.2 ± --- 0 PLACE ± --- ± ---	mm INCH	DRAWN BY DATE APROFFITT 2014/05/14	TITLE <b>MX150 RCPT                  DUAL ROW SEALED ASSEMBLY                  MAT SEAL</b>		MATERIAL NO. <b>SEE NOTE 2a.</b>	DOCUMENT NO. <b>SD-33472-0001</b>	SHEET NO. <b>7 OF 8</b>
		ANGULAR ± 1 ° DRAFT WHERE APPLICABLE MUST REMAIN WITHIN DIMENSIONS		APPROVED BY DATE VKOSHY 2014/06/27		THIS DRAWING CONTAINS INFORMATION THAT IS PROPRIETARY TO MOLEX INCORPORATED AND SHOULD NOT BE USED WITHOUT WRITTEN PERMISSION			
		SIZE 1							



**SHEET DESCRIPTION**  
BACKSHELL CONFIGURATIONS

CHARTED DIMENSIONS	
DESCRIPTION	DIMENSIONS
	H
2X2 STANDARD	TBD
2X2 LENGTHENED	TBD
2X3 W/ CLIPSLOT	TBD
2X3 W/O CLIPSLOT	28,50
2X4 W/ CLIPSLOT	TBD
2X4 W/O CLIPSLOT	30,75
2X6 W/ CLIPSLOT	TBD
2X6 W/O CLIPSLOT	35,83
2X8 W/O CLIPSLOT	TBD
2X10 W/O CLIPSLOT	TBD



RECEPTACLE SEALED ASSEMBLY WITH RECEPTACLE BACKSHELL

<b>ENTER DESCRIPTION</b> EEC NO: UA02015-1759 DRWN:APROFFITT 2015/05/22 CHKD:KORUSZENSK 2015/06/03 APPR:VKOSHY 2015/06/04 <b>A4</b>	<b>QUALITY SYMBOLS</b> ▽=0 ▽=0 ▽=0 ▽=0	<b>GENERAL TOLERANCES (UNLESS SPECIFIED)</b>		<b>DIMENSION STYLE</b> <b>MM ONLY</b>		<b>SCALE</b> 4:1	<b>DESIGN UNITS</b> METRIC	THIRD ANGLE PROJECTION	
		4 PLACES ± --- ± --- 3 PLACES ± --- ± --- 2 PLACES ± 0.10 ± --- 1 PLACE ± 0.2 ± --- 0 PLACE ± --- ± ---	mm INCH ± --- ± --- ± 0.10 ± --- ± 0.2 ± --- ± --- ± ---	DRAWN BY DATE APROFFITT 2014/05/14	CHECKED BY DATE	<b>TITLE</b> MX150 RCPT DUAL ROW SEALED ASSEMBLY MAT SEAL <b>molex</b>		DOCUMENT NO. SD-33472-0001	SHEET NO. 8 OF 8
		ANGULAR ± 1 ° DRAFT WHERE APPLICABLE MUST REMAIN WITHIN DIMENSIONS		APPROVED BY DATE VKOSHY 2014/06/27		<b>SEE NOTE 2a.</b>			
				MATERIAL NO.		THIS DRAWING CONTAINS INFORMATION THAT IS PROPRIETARY TO MOLEX INCORPORATED AND SHOULD NOT BE USED WITHOUT WRITTEN PERMISSION			



**MX150 RECEPTACLE 2X2 SEALED ASSEMBLY MAT SEAL  
BOM AND PIN OUT SHEET**

ASSEMBLY DESCRIPTION	ASSEMBLY PART NUMBER	COMPONENT						BLOCKED TERMINALS										STATUS	COMMENTS	OPTIONAL ATTACHMENTS SOLD SEPERATELY		
		THE PRESENCE OF AN ABBREVIATION INDICATES THE PRESENCE OF THAT COMPONENT.						CAVITY WITH A NUMBER INDICATES BLOCKED TERMINAL POSITION CAVITY WITHOUT A NUMBER INDICATES OPEN TERMINAL POSITION												BACKSHELL WITH RIBS	BACKSHELL WITHOUT RIBS	
		HOUSING KEY/COLOR	GROMMET CAP	PLR	CPA	MAT SEAL	RING SEAL	1	2	3	4											
KEY A, BLACK, W/O CPA	33472-4052	A-BLK	GCP	PLR		M	R		2		4									NOT VALIDATED		
KEY A, YELLOW, W/CPA	33472-4053	A-YW	GCO	PLR	CPA	M	R													NOT VALIDATED		
KEY A, BLACK, W/O CPA	33472-4054	A-BLK	GCP	PLR		M	R	1		3										NOT VALIDATED		
KEY B, LIGHT GRAY, W/CPA	33472-4055	B-LG	GCP	PLR	CPA	M	R	1												NOT VALIDATED		
KEY A, BLACK, W/O CPA	33472-4056	A-BLK	GCP	PLR		M	R	1												NOT VALIDATED		

















MX150 RECEPTACLE 2X8 SEALED ASSEMBLY MAT SEAL

BOM AND PIN OUT SHEET

Table with columns: ASSEMBLY DESCRIPTION, ASSEMBLY PART NUMBER, COMPONENT (HOUSING KEY/COLOR, GROMMET CAP, PLR, CPA, MAT SEAL, RING SEAL), BLOCKED TERMINALS (1-16), STATUS, COMMENTS, and OPTIONAL ATTACHMENTS SOLD SEPERATELY (BACKSHELL WITH RIBS, BACKSHELL WITHOUT RIBS).

MX150 RECEPTACLE 2X8 SEALED ASSEMBLY MAT SEAL  
BOM AND PIN OUT SHEET

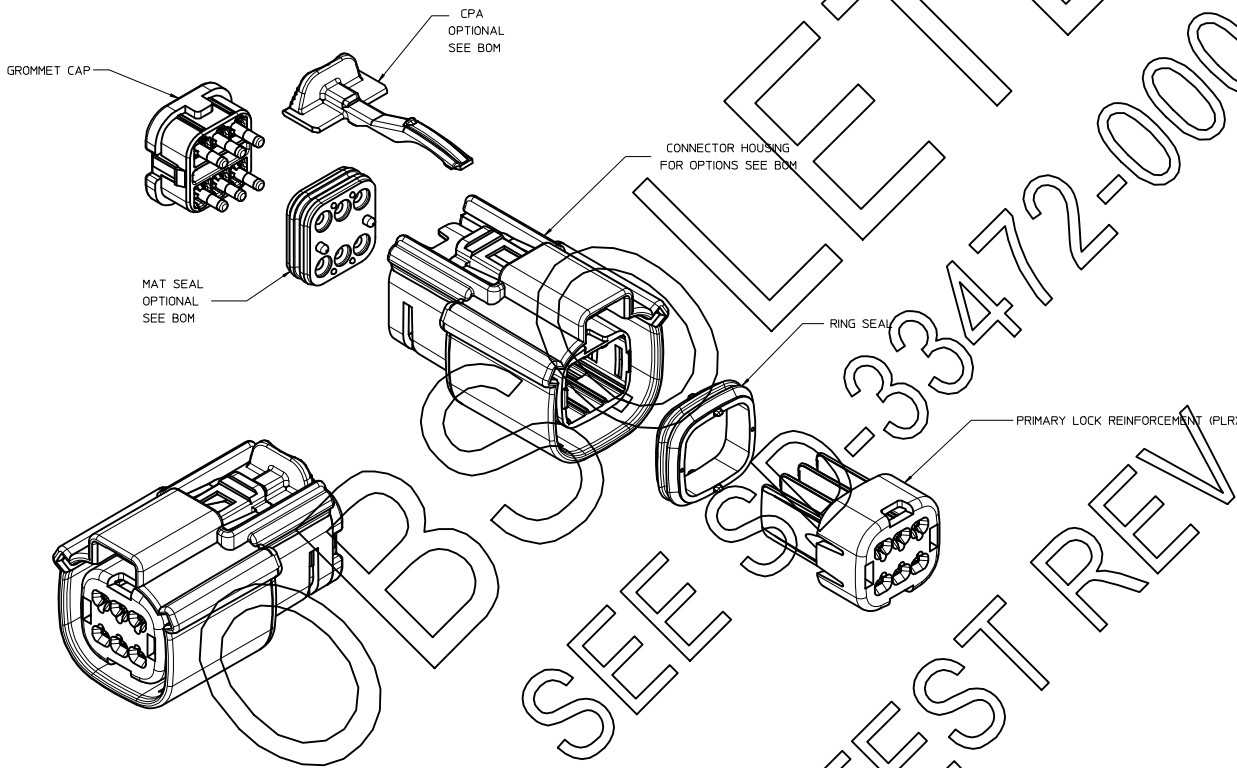
Table with columns: ASSEMBLY DESCRIPTION, ASSEMBLY PART NUMBER, COMPONENT (HOUSING KEY/COLOR, GROMMET CAP, PLR, CPA, MAT SEAL, RING SEAL), BLOCKED TERMINALS (1-16), STATUS, COMMENTS, and OPTIONAL ATTACHMENTS SOLD SEPERATELY (BACKSHELL WITH RIBS, BACKSHELL WITHOUT RIBS). Rows include various key types (KEY A, KEY B, KEY C, KEY D) and colors (BLACK, LIGHT GRAY, DARK GRAY, STONE GRAY).



**MX150 RECEPTACLE 2X8 SEALED ASSEMBLY MAT SEAL  
BOM AND PIN OUT SHEET**

ASSEMBLY DESCRIPTION	ASSEMBLY PART NUMBER	COMPONENT						BLOCKED TERMINALS																STATUS	COMMENTS	OPTIONAL ATTACHMENTS SOLD SEPERATELY							
		THE PRESENCE OF AN ABBREVIATION INDICATES THE PRESENCE OF THAT COMPONENT.						CAVITY WITH A NUMBER INDICATES BLOCKED TERMINAL POSITION CAVITY WITHOUT A NUMBER INDICATES OPEN TERMINAL POSITION																		BACKSHELL WITH RIBS	BACKSHELL WITHOUT RIBS						
		HOUSING KEY/COLOR	GROMMET CAP	PLR	CPA	MAT SEAL	RING SEAL	1	2	3	4	5	6	7	8	9	10	11	12	13	14	15	16										
KEY A, BLACK, W/O CPA	33472-1932	A-BLK	GC	PLR		M	R	1	2		4	5	6									10						14			SALEABLE		

TABLE OF CONTENTS	
SHEET NO.	SHEET DESCRIPTION
1	NOTES
2	KEY CONFIGURATIONS
3	RECEPTACLE SEALED ASSEMBLY
4	BACKSHELL NOTES
5	BACKSHELL
6	BACKSHELL CONFIGURATIONS
7-8	BOM



NOTES: VALID UNLESS OTHERWISE SPECIFIED

1. GENERAL:
- a. APPLICATION SPECIFICATION SEE: AS-33472-100  
 CONTAINS: PRODUCT INTRODUCTION, PRODUCT SUMMARY, CONNECTOR ASSEMBLY, PACKAGING INFORMATION, CONNECTOR MATING, SERVICE INSTRUCTIONS, ELECTRICAL CONTINUITY CHECKING, CRIMPING AND TROUBLESHOOTING.  
 -DESIGNED TO MATE WITH DEVICE CONNECTION AS SPECIFIED IN DRAWING EWCAP 150-S-006-2-202, AVAILABLE AT <http://ewcap.uscarteams.org/>.  
 -DESIGNED TO MATE WITH BLADE SEALED ASSEMBLY AS SPECIFIED IN DRAWING SD-33482-061  
 -FOR 15mm RECEPTACLE TERMINALS TO BE USED WITH THIS ASSEMBLY SEE MOLEX DRAWING SD-33012-002  
 - SYSTEM TO BE USED WITH WIRE WITHIN DIAMETER RANGE OF 1.2mm TO 2.69mm.  
 -ASSEMBLY SHIPPED WITH PLR AND CPA IN PRE-LOCK POSITION (SEE SECTION 2-2 PRE-LOCK)  
 -IN THE EVENT THAT THE PLR IS FOUND IN THE SEATED (FINAL LOCK) POSITION, REFER TO MOLEX SPECIFICATION PS-34646-001, AVAILABLE AT <http://www.molex.com> <http://www.molex.com>  
 -ASSEMBLY CONFORMS TO SAE/USCAR-2 REV.4 WITH THE FOLLOWING EXCEPTIONS: ENGAGEMENT FORCE TO MOVE CPA FROM PRE-LOCK TO FINAL LOCK POSITION WHEN UNMATED: 40N MIN. DISENGAGEMENT FORCE TO MOVE CPA FROM FINAL LOCK TO PRE-LOCK POSITION: 3N MIN. 40N MAX. TERMINAL INSERTION FORCE FOR WIRE DIAMETER ABOVE 2.5mm NOT EXCEEDING 2.69mm SHALL NOT EXCEED 40 NEWTONS. PLR REMOVAL FROM FINAL LOCK TO PRE-LOCK POSITION SHALL NOT EXCEED 130 NEWTONS.
- b. PRODUCT SPECIFICATION SEE: PS-33472-000  
 CONTAINS: PRODUCT INTRODUCTION, PRODUCT SUMMARY, RATINGS (CURRENT, TEMPERATURE, SEALING, AND FLAMMABILITY), AND PRODUCT VALIDATION.
- c. PACKAGING SPECIFICATION PER MOLEX DRAWING PK-31300-903
- d. PARTS MUST BE IN COMPLIANCE TO MOLEX CHEMICAL SUBSTANCES FOR PRODUCTS AND PACKAGING SPECIFICATION ES-40000-504
- e. DATA MUST BE SUBMITTED UNDER THE MOLEX PART NUMBER TO IMDS (COMPANY ID#1325)
- f. FOR INFORMATION ON 2X3 RECEPTACLE SEALED ASSEMBLY WITH CLIPSLOT SEE SD-33472-071
2. DESIGN - MATERIALS:  
 a. SEE BOM TABLE
3. DESIGN - GEOMETRY:  
 a. THIS IS A 100% CAD GENERATED PART. THE CAD MATHEMATICAL DATA IS THE MASTER FOR THIS PART. FOR DIMENSIONAL OR ANY INFORMATION NOT SHOWN ON THIS DRAWING, ANALYZE THE CAD MODEL.  
 b. GEOMETRIC DIMENSIONS AND TOLERANCES PER ASME Y14.5M - 1994  
 c. EDGES AND UNDIMENSIONED DETAILS PER ISO13715  
 d. CORNERS SHOWN AS SHARP TO BE R 0.2 MAX.  
 e. LETTERING SHALL BE 0.15 MAX RAISED IN 0.25 MAX RECESS PAD. THIS INCLUDES RECYCLING CODE, CAVITY ID, VENDOR IDENTIFICATION, AND CUSTOMER MATERIAL NUMBER.  
 f. VISUAL DEFECTS SHALL MEET COSMETIC STANDARD PS-45499-002 (Class B)  
 g. LASER MARKING TBD

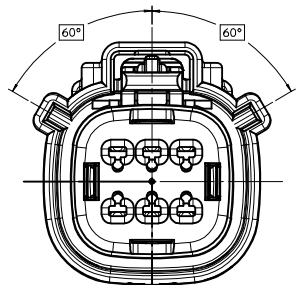
INSPECTION NUMBER LOG  
 LAST NUMBER USED:  
 ADDED:  
 REMOVED:

Y	DESCRIPTION
X19	UPDATE VIEWS.
X18	ADD NEW P/N 33472-0691 33472-0692
X17	ADD NEW P/N 33472-0690
X16	ADD NEW P/N 33472-0689
X15	UPDATED VIEWS
X14	ADD NEW P/N 33472-0687 33472-0688
X13	ADD NEW P/N 33472-0684 33472-0685 33472-0686
X12	ADD NEW P/N 33472-0683
X11	ADD NEW P/N 33472-0682
X10	CHANGE THE STATUS TO SELEABLE FROM TOOLED BUT NOT VALIDATED FOR DK GREY AND ST GREY
X9	UPDATED BACKSHELL INFORMATION
X8	ADD NEW P/N 33472-0681
X7	UPDATED BACKSHELL
X6	RENAMED BACKSHELLS
X5	ADD NEW P/N 33472-0678 33472-0679 33472-0680
X4	UPDATED VIEWS
X3	UPDATED NOMENCLATURE SHEET 3
X2	ADD NEW P/N 33472-0677
X1	UPDATED NOTES
X	REDRAWN, ADDED BACKSHELL

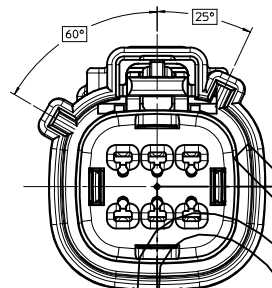
ENTER DESCRIPTION	QUALITY SYMBOLS	GENERAL TOLERANCES (UNLESS SPECIFIED)	DIMENSION STYLE	SCALE	DESIGN UNITS	THIRD ANGLE PROJECTION	TITLE	DOCUMENT NO.	SHEET NO.
IEC NO: UAU2014-0981 DRAWN: JZUZELSKI 2015/04/03 CHKD: APPR: VKOSHY 2015/04/17	∇=0 ∇=0 ∇=0	4 PLACES ± --- mm INCH 3 PLACES ± --- mm INCH 2 PLACES ± 0.10 mm INCH 1 PLACE ± 0.3 mm INCH 0 PLACE ± mm INCH	MM ONLY	3:1	METRIC		MX150 2X3 RECEPTACLE SEALED ASSEMBLY MAT SEAL <b>molex</b>	SD-33472-061	1 OF 9
MATERIAL NO. SEE BOM SIZE D	DRAFT WHERE APPLICABLE MUST REMAIN WITHIN DIMENSIONS	ANGULAR ± 3 °	DRAWN BY DATE DGRIFFI THS 06-05-03 CHECKED BY DATE DGRIFFI THS 06-05-03 APPROVED BY DATE VKOSHY 2010/03/04						

20 19 18 17 16 15 14 13 12 11 10 9 8 7 6 5 4 3 2 1

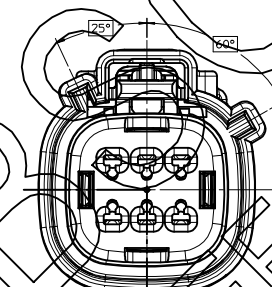
KEY CONFIGURATIONS



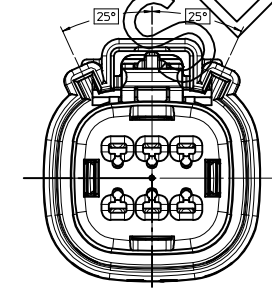
KEY A



KEY B



KEY C



KEY D

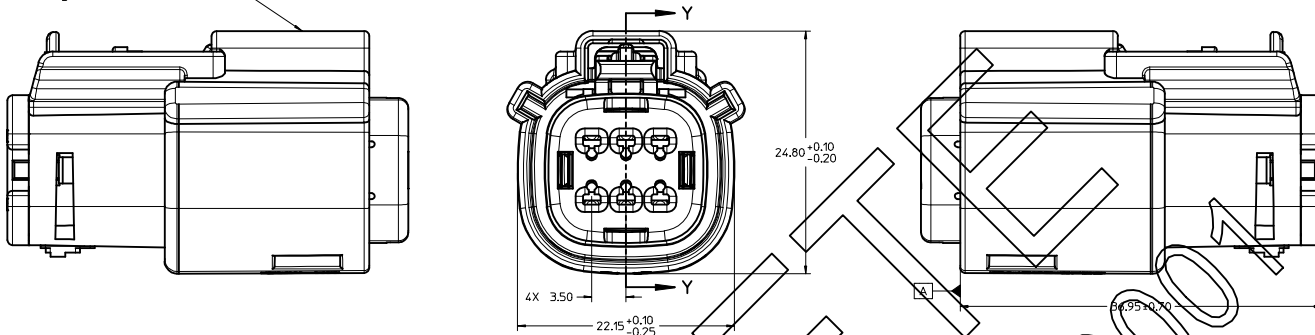
OBSOLETE SD-33472-0001  
 LATEST REV.

ENTER DESCRIPTION IEC NO. UAU2014-0981 DRAWN BY ZUZELSKI CHKD: APPR: VKOSHY 2015/04/17	QUALITY SYMBOLS		GENERAL TOLERANCES (UNLESS SPECIFIED)		DIMENSION STYLE		SCALE	DESIGN UNITS	THIRD ANGLE PROJECTION
	∇=0 ∇=0 ∇=0		mm      INCH 4 PLACES ±      ± 3 PLACES ±      ± 2 PLACES ±0.10 ±      ± 1 PLACE ±0.3 ±      ± 0 PLACE ±      ±		MM ONLY DRAWN BY DATE DGRIFITHS 06-05-03 CHECKED BY DATE DGRIFITHS 06-05-03 APPROVED BY DATE VKOSHY 2010/03/04		4:1	METRIC	MX150 2X3 RECEPTACLE SEALED ASSEMBLY MAT SEAL <b>molex</b>
	ANGULAR ± 3 ° DRAFT WHERE APPLICABLE MUST REMAIN WITHIN DIMENSIONS		MATERIAL NO. SEE BOM		DOCUMENT NO. SD-33472-061		SHEET NO. 2 OF 9		
	THIS DRAWING CONTAINS INFORMATION THAT IS PROPRIETARY TO MOLEX INCORPORATED AND SHOULD NOT BE USED WITHOUT WRITTEN PERMISSION								

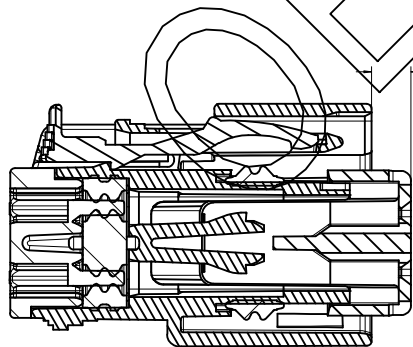
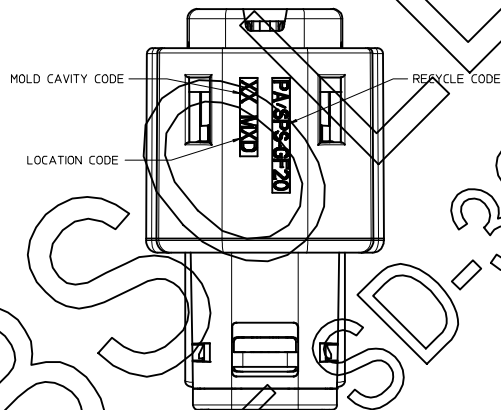
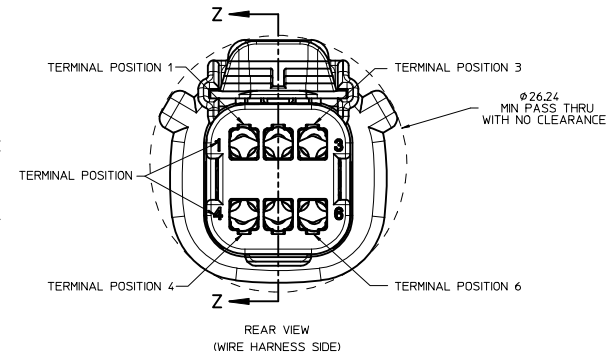
19 18 17 16 15 14 13 12 11 10 9 8 7 6 5 4 3 2 1



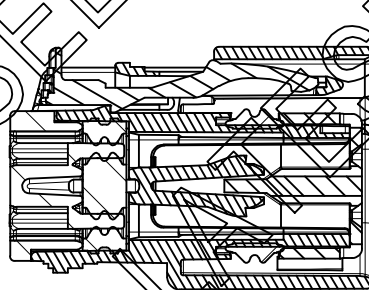
LASER MARKING ON THIS SURFACE  
SEE NOTE 3g.



RECEPTACLE SEALED ASSEMBLY



PRIMARY LOCK REINFORCEMENT (PLR) SHOWN  
IN PRE-STAGED POSITION  
SECTION Z-Z

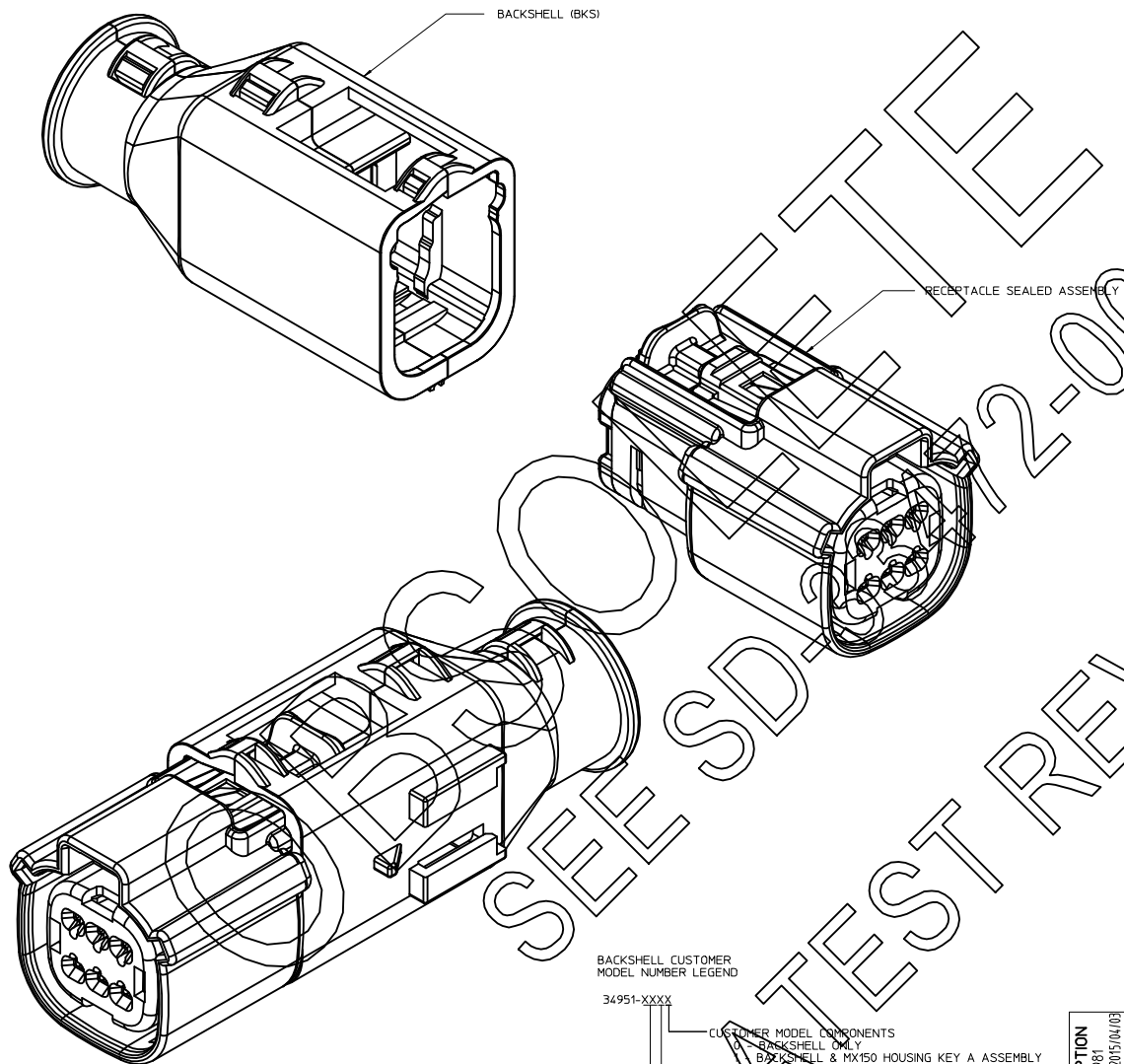


PRIMARY LOCK REINFORCEMENT (PLR) SHOWN  
IN FINAL-LOCK POSITION  
SECTION Y-Y

BSEE SD-33472-0001  
REV. 1

<b>ENTER DESCRIPTION</b> IEC NO. UAU2014-0981 DRAWN: JIZELSKI 2015/04/03 CHKD: APPR: VKOSHY REV. DESCRIPTION	<b>QUALITY SYMBOLS</b> ∇=0 ∇=0 ∇=0		<b>GENERAL TOLERANCES (UNLESS SPECIFIED)</b> mm INCH 4 PLACES ± --- ± --- 3 PLACES ± 0.10 ± --- 2 PLACES ± 0.3 ± --- 1 PLACE ± ± --- 0 PLACE ± ±		<b>DIMENSION STYLE</b> MM ONLY		SCALE 4:1 DESIGN UNITS METRIC THIRD ANGLE PROJECTION	
	DRAFT WHERE APPLICABLE MUST REMAIN WITHIN DIMENSIONS		ANGULAR ± 3 °		DRAWN BY DATE DGRIFITHS 06-05-03		CHECKED BY DATE DGRIFITHS 06-05-03	
	MATERIAL NO. SEE BOM		APPROVED BY DATE VKOSHY 2010/03/04		TITLE MX150 2X3 RECEPTACLE SEALED ASSEMBLY MAT SEAL		molex	
	SHEET NO. 3 OF 9		DOCUMENT NO. SD-33472-061		INCORPORATED AND SHOULD NOT BE USED WITHOUT WRITTEN PERMISSION		SHEET NO. 3 OF 9	

BACKSHELL NOTES



BACKSHELL NOTES: VALID UNLESS OTHERWISE SPECIFIED

- 1. GENERAL:
- 2. APPLICATION SPECIFICATION SEE: AS-34951-001
- DESIGNED TO MATE WITH RECEPTACLE SEALED ASSEMBLY AS SPECIFIED IN DRAWING SD-33472-061
- SYSTEM TO BE USED WITH WIRE WITHIN DIAMETER RANGE OF 1.2 mm TO 2.69 mm.
- COMPONENTS ARE OPTIONAL AND MUST BE PURCHASED SEPARATELY
- BACKSHELL DESIGN IS OWNED BY SCHLEMMER
- FOR ADDITIONAL INFORMATION SEE THE BACKSHELL COMPONENT DRAWING SD-34951-0001

BACKSHELL CUSTOMER MODEL NUMBER LEGEND

34951-XXXX

- CUSTOMER MODEL COMPONENTS
- 1. BACKSHELL ONLY
  - 2. BACKSHELL & MX150 HOUSING KEY A ASSEMBLY
  - 3. BACKSHELL & MX150 HOUSING KEY B ASSEMBLY
  - 4. BACKSHELL & MX150 HOUSING KEY C ASSEMBLY
  - 5. BACKSHELL & MX150 HOUSING KEY D ASSEMBLY

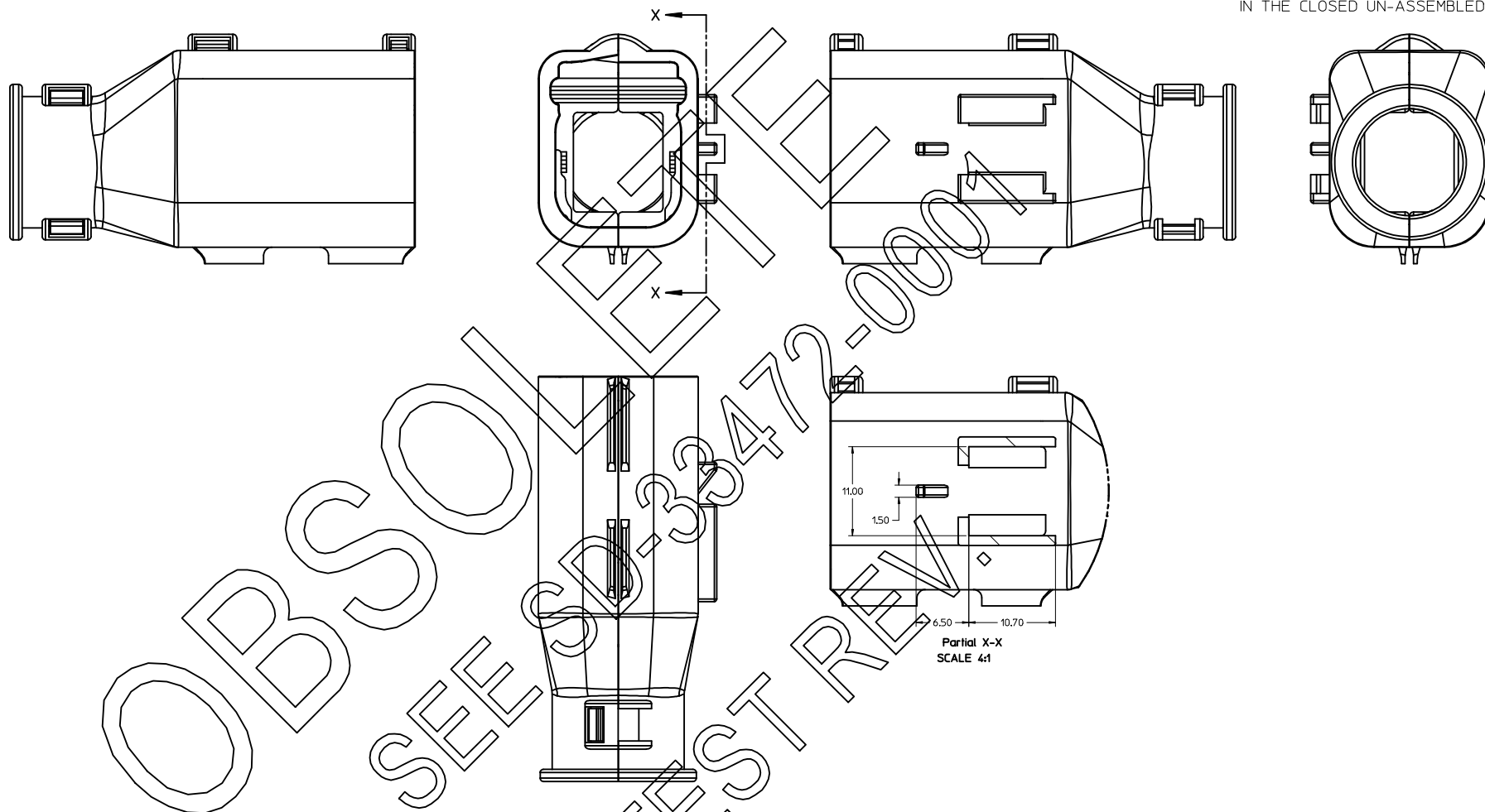
- BACKSHELL FEATURES
- 1. WITH RIBS
  - 2. WITHOUT RIBS

MX150 CIRCUIT SIZE 04, 06, 08, 12, 16, 20

<b>ENTER DESCRIPTION</b> IEC NO. UAU2014-0981 DRAWN: JIZELSKI CHKD: APPR: VKOSHY 2015/04/17	QUALITY SYMBOLS ▽=0 ▽=0 ▽=0	GENERAL TOLERANCES (UNLESS SPECIFIED) mm    INCH 4 PLACES ± --- ± --- 3 PLACES ± --- ± --- 2 PLACES ± 0.10 ± --- 1 PLACE ± 0.3 ± --- 0 PLACE ± ±	DIMENSION STYLE <b>MM ONLY</b>	SCALE <b>4:1</b>	DESIGN UNITS <b>METRIC</b>	THIRD ANGLE PROJECTION 	TITLE <b>MX150 2X3 RECEPTACLE SEALED ASSEMBLY MAT SEAL</b>	MATERIAL NO. <b>SEE BOM</b>	DOCUMENT NO. <b>SD-33472-061</b>	SHEET NO. <b>4 OF 9</b>
	ANGLULAR ± 3 ° DRAFT WHERE APPLICABLE MUST REMAIN WITHIN DIMENSIONS		DRAWN BY: DGRIFITHS    DATE: 06-05-03 CHECKED BY:    DATE: 06-05-03 APPROVED BY: VKOSHY    DATE: 2010/03/04		MOLEX		THIS DRAWING CONTAINS INFORMATION THAT IS PROPRIETARY TO MOLEX INCORPORATED AND SHOULD NOT BE USED WITHOUT WRITTEN PERMISSION			

20 19 18 17 16 15 14 13 12 11 10 9 8 7 6 5 4 3 2 1

BACKSHELL  
THE VIEWS ON THIS SHEET ARE  
IN THE CLOSED UN-ASSEMBLED POSITION



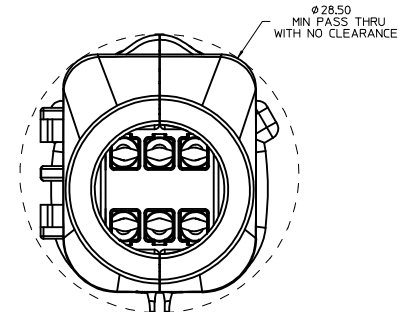
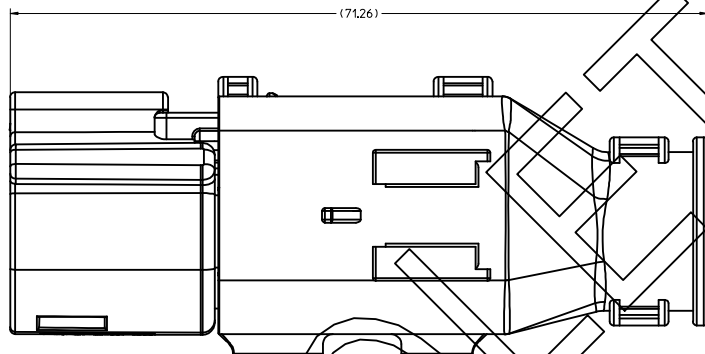
Partial X-X  
SCALE 4:1

<b>ENTER DESCRIPTION</b> IEC NO. UAU2014-0981 DRAWN: JIZELSKI 2015/04/03 CHKD: APPR: VKOSHY REV DESCRIPTION 2015/04/17	QUALITY SYMBOLS ∇=0 ∇=0 ∇=0	GENERAL TOLERANCES (UNLESS SPECIFIED) mm INCH 4 PLACES ± --- ± --- 3 PLACES ± --- ± --- 2 PLACES ± 0.10 ± --- 1 PLACE ± 0.3 ± --- 0 PLACE ± ± --- ANGULAR ± 3 ° DRAFT WHERE APPLICABLE MUST REMAIN WITHIN DIMENSIONS	DIMENSION STYLE MM ONLY DRAWN BY DATE DGRIFITHS 06-05-03 CHECKED BY DATE DGRIFITHS 06-05-03 APPROVED BY DATE VKOSHY 2010/03/04	SCALE 4:1 DESIGN UNITS METRIC THIRD ANGLE PROJECTION	TITLE MX150 2X3 RECEPTACLE SEALED ASSEMBLY MAT SEAL <b>molex</b>	MATERIAL NO. SEE BOM	DOCUMENT NO. SD-33472-061	SHEET NO. 5 OF 9
	THIS DRAWING CONTAINS INFORMATION THAT IS PROPRIETARY TO MOLEX INCORPORATED AND SHOULD NOT BE USED WITHOUT WRITTEN PERMISSION							

19 18 17 16 15 14 13 12 11 10 9 8 7 6 5 4 3 2 1

20 19 18 17 16 15 14 13 12 11 10 9 8 7 6 5 4 3 2 1

BACKSHELL CONFIGURATIONS



RECEPTACLE SEALED ASSEMBLY WITH RECEPTACLE BACKSHELL

OBSOLETE  
SEE SD-33472-0001  
LATEST REV.

<b>ENTER DESCRIPTION</b> IEC NO. UAU2014-0981 DRAWN: JIZELSKI 2015/04/03 CHKD: APPR: VKOSHY 2015/04/17 REV:	QUALITY SYMBOLS ∇=0 ∇=0 ∇=0	GENERAL TOLERANCES (UNLESS SPECIFIED) mm INCH 4 PLACES ± --- ± --- 3 PLACES ± --- ± --- 2 PLACES ± 0.10 ± --- 1 PLACE ± 0.3 ± --- 0 PLACE ± ±	DIMENSION STYLE MM ONLY	SCALE 4:1	DESIGN UNITS METRIC	THIRD ANGLE PROJECTION
	DRAFT WHERE APPLICABLE MUST REMAIN WITHIN DIMENSIONS	DRAWN BY DATE DGRIFITHS 06-05-03 CHECKED BY DATE DGRIFITHS 06-05-03 APPROVED BY DATE VKOSHY 2010/03/04	MATERIAL NO. SEE BOM	TITLE MX150 2X3 RECEPTACLE SEALED ASSEMBLY MAT SEAL <b>molex</b>	DOCUMENT NO. SD-33472-061	SHEET NO. 6 OF 9

19 18 17 16 15 14 13 12 11 10 9 8 7 6 5 4 3 2 1

ASSEMBLY DESCRIPTION	ASSEMBLY PART NUMBER	A	B	C	D	C	D	C	D	C	D	1	2	3	4	5	6	STATUS	COMMENTS	BACKSHELL WITH RIBS	BACKSHELL WITHOUT RIBS		
VOID KEY	33472-0640																	NOT RECOMMENDED		34951-0610	34951-0620		
KEY D, GREEN	33472-0639				D							M	1	2	3	4	5	6	NOT RECOMMENDED		34951-0610	34951-0620	
KEY C, BROWN	33472-0638				C							M	1	2	3	4	5	6	NOT RECOMMENDED		34951-0610	34951-0620	
KEY B, LIGHT GRAY	33472-0637				B							M	1	2	3	4	5	6	NOT RECOMMENDED		34951-0610	34951-0620	
KEY A, BLACK	33472-0636				A							M	1	2	3	4	5	6	SALEABLE		34951-0610	34951-0620	
VOID KEY	33472-0635																						
KEY D, W/O MAT SEAL, GREEN	33472-0634				D														NOT RECOMMENDED	NOT VALIDATED	34951-0610	34951-0620	
KEY C, W/O MAT SEAL, BROWN	33472-0633				C														NOT RECOMMENDED	NOT VALIDATED	34951-0610	34951-0620	
KEY B, W/O MAT SEAL, LIGHT GRAY	33472-0632				B														NOT RECOMMENDED	NOT VALIDATED	34951-0610	34951-0620	
KEY A, W/O MAT SEAL, BLACK	33472-0631				A														NOT RECOMMENDED	NOT VALIDATED	34951-0610	34951-0620	
VOID KEY	33472-0630																						
KEY D, W/ CPA, GREEN	33472-0629				D							CPA	M						NOT RECOMMENDED		34951-0610	34951-0620	
KEY C, W/ CPA, BROWN	33472-0628				C							CPA	M						NOT RECOMMENDED		34951-0610	34951-0620	
KEY B, W/ CPA, LIGHT GRAY	33472-0627				B							CPA	M						NOT RECOMMENDED		34951-0610	34951-0620	
KEY A, W/ CPA, BLACK	33472-0626				A							CPA	M						SALEABLE		34951-0610	34951-0620	
VOID KEY	33472-0625																						
KEY D, GREEN	33472-0624				D							M							NOT RECOMMENDED		34951-0610	34951-0620	
KEY C, BROWN	33472-0623				C							M							NOT RECOMMENDED		34951-0610	34951-0620	
KEY B, LIGHT GRAY	33472-0622				B							M							NOT RECOMMENDED		34951-0610	34951-0620	
KEY A, BLACK	33472-0621				A							M							SALEABLE		34951-0610	34951-0620	
VOID KEY	33472-0620																						
KEY D, W/ CPA, GREEN	33472-0619				D							CPA	M						NOT RECOMMENDED		34951-0610	34951-0620	
KEY C, W/ CPA, BROWN	33472-0618				C							CPA	M						NOT RECOMMENDED		34951-0610	34951-0620	
KEY B, W/ CPA, LIGHT GRAY	33472-0617				B							CPA	M						NOT RECOMMENDED		34951-0610	34951-0620	
KEY A, W/ CPA, BLACK	33472-0616				A							CPA	M						SALEABLE		34951-0610	34951-0620	
VOID KEY	33472-0615																						
KEY D, GREEN	33472-0614				D							M							NOT RECOMMENDED		34951-0610	34951-0620	
KEY C, BROWN	33472-0613				C							M							NOT RECOMMENDED		34951-0610	34951-0620	
KEY B, LIGHT GRAY	33472-0612				B							M							NOT RECOMMENDED		34951-0610	34951-0620	
KEY A, BLACK	33472-0611				A							M							SALEABLE	SAME AS P/N 33472-0658	34951-0610	34951-0620	
VOID KEY	33472-0610																						
KEY D, W/ CPA, GREEN	33472-0609				D							CPA	M						NOT RECOMMENDED	SEE P/N 33472-0671	34951-0610	34951-0620	
KEY C, W/ CPA, BROWN	33472-0608				C							CPA	M						NOT RECOMMENDED	SEE P/N 33472-0670	34951-0610	34951-0620	
KEY B, W/ CPA, LIGHT GRAY	33472-0607				B							CPA	M						NOT RECOMMENDED		34951-0610	34951-0620	
KEY A, W/ CPA, BLACK	33472-0606				A							CPA	M						SALEABLE		34951-0610	34951-0620	
VOID KEY	33472-0605																						
KEY D, GREEN	33472-0604				D							M							NOT RECOMMENDED	SEE P/N 33472-0669	34951-0610	34951-0620	
KEY C, BROWN	33472-0603				C							M							NOT RECOMMENDED	SEE P/N 33472-0668	34951-0610	34951-0620	
KEY B, LIGHT GRAY	33472-0602				B							M							NOT RECOMMENDED		34951-0610	34951-0620	
KEY A, BLACK	33472-0601				A							M							SALEABLE		34951-0610	34951-0620	
ASSEMBLY DESCRIPTION	ASSEMBLY PART NUMBER	A	B	C	D	C	D	C	D	C	D	CPA	M	1	2	3	4	5	6	STATUS	COMMENTS	BACKSHELL WITH RIBS	BACKSHELL WITHOUT RIBS

DESCRIPTION	COLOR	MATERIAL
RING SEAL	BURNT ORANGE	INHERENTLY LUBRICATED SILICONE
PLR	NATURAL	SPS/NYLON GF20
GROMMET CAP	BLACK	SPS/NYLON GF20
MAT SEAL	LIGHT BLUE	INHERENTLY LUBRICATED SILICONE
CPA	RED	PBT GF30
HOUSING KEYING OPTION D	STONE GRAY	SPS/NYLON GF20
HOUSING KEYING OPTION C	DARK GRAY	SPS/NYLON GF20
HOUSING KEYING OPTION B	GREEN	SPS/NYLON GF20
HOUSING KEYING OPTION A	BROWN	SPS/NYLON GF20
HOUSING KEYING OPTION Z	LIGHT GRAY	SPS/NYLON GF20
HOUSING KEYING OPTION Y	BLACK	SPS/NYLON GF20

ABBREVIATION	COMPONENT
A	HOUSING KEY A
B	HOUSING KEY B
C	HOUSING KEY C
D	HOUSING KEY D
GC	GROMMET CAP
M	MAT SEAL
R	RING SEAL
P	PLR, STANDARD
CPA	CPA
BKS	BACKSHELL

<b>ENTER DESCRIPTION</b> IEC NO. UAU2014-0981 DRAWN: ZUZELSKI 2015/04/03 CHKD: Y APPR: VKOSHY 2015/04/17	<b>QUALITY SYMBOLS</b> ∇=0 ∇=0 ∇=0	GENERAL TOLERANCES (UNLESS SPECIFIED) mm    INCH 4 PLACES ±    ± 3 PLACES ±    ± 2 PLACES ±0.10 ± 1 PLACE ±0.3 ± 0 PLACE ±    ±	DIMENSION STYLE MM ONLY	SCALE DESIGN UNITS METRIC	THIRD ANGLE PROJECTION
		DRAFT WHERE APPLICABLE MUST REMAIN WITHIN DIMENSIONS	MATERIAL NO. SEE BOM	DATE 06-05-03 DATE 06-05-03 DATE 2010/03/04	TITLE MX150 2X3 RECEPTACLE SEALED ASSEMBLY MAT SEAL

ASSEMBLY DESCRIPTION	ASSEMBLY PART NUMBER	A	B	C	D	E	F	G	H	I	J	K	L	M	N	1	2	3	4	5	6	STATUS	COMMENTS	BACKSHELL WITH RIBS	BACKSHELL WITHOUT RIBS			
KEY A, W/ CPA, BLACK	33472-0681													CPA	M		2							SALEABLE	34951-0610	34951-0620		
KEY A, BLACK	33472-0680													CPA	M	1	2	3							SALEABLE	34951-0610	34951-0620	
KEY A, W/ CPA, BLACK	33472-0679													CPA	M	1	2	3							SALEABLE	34951-0610	34951-0620	
KEY B, LIGHT GRAY	33472-0678																				5	6			SALEABLE	34951-0610	34951-0620	
KEY B, LIGHT GRAY	33472-0677																								SALEABLE	34951-0610	34951-0620	
KEY B, W/ CPA, LIGHT GRAY	33472-0676													CPA	M	1						5			SALEABLE	34951-0610	34951-0620	
KEY A, W/ CPA, BLACK	33472-0675													CPA	M										SALEABLE	34951-0610	34951-0620	
KEY A, W/ CPA, BLACK	33472-0674													CPA	M										SALEABLE	34951-0610	34951-0620	
KEY A, BLACK	33472-0673																								SALEABLE	34951-0610	34951-0620	
KEY B, LIGHT GRAY	33472-0672																								SALEABLE	34951-0610	34951-0620	
KEY D, W CPA, STONE GRAY	33472-0671													D	CPA	M									SALEABLE	34951-0610	34951-0620	
KEY C, W CPA, DARK GRAY	33472-0670													C	CPA	M									SALEABLE	34951-0610	34951-0620	
KEY D, STONE GRAY	33472-0669													D		M									SALEABLE	34951-0610	34951-0620	
KEY C, DARK GRAY	33472-0668													C		M									SALEABLE	34951-0610	34951-0620	
KEY A, BLACK	33472-0667															M	1	3	5	6					SALEABLE	34951-0610	34951-0620	
KEY A, BLACK	33472-0666															M	2	5	6						SALEABLE	34951-0610	34951-0620	
KEY A, BLACK	33472-0665															M	1	2	5	6					SALEABLE	34951-0610	34951-0620	
KEY A, BLACK	33472-0664															M	1				4	5	6		SALEABLE	34951-0610	34951-0620	
KEY A, BLACK	33472-0663															M	1								SALEABLE	34951-0610	34951-0620	
KEY A, BLACK	33472-0662															M	2								SALEABLE	34951-0610	34951-0620	
KEY A, BLACK	33472-0661															M	2								SALEABLE	34951-0610	34951-0620	
KEY A, W/ CPA, BLACK	33472-0660													CPA	M	1	2	3	4	5	6				SALEABLE	34951-0610	34951-0620	
KEY A, BLACK	33472-0659															M	3	5	6						SALEABLE	34951-0610	34951-0620	
KEY A, BLACK	33472-0658															M	3								SALEABLE	34951-0610	34951-0620	
VOID KEY	33472-0657																											
KEY D, W/ CPA, GREEN	33472-0656													D	CPA	M	1	3	4	6					NOT RECOMMENDED	34951-0610	34951-0620	
KEY C, W CPA, BROWN	33472-0655													C	CPA	M	1	3	4	6					NOT RECOMMENDED	34951-0610	34951-0620	
KEY B, W/ CPA, LIGHT GRAY	33472-0654															CPA	M	1	3	4	6				SALEABLE	34951-0610	34951-0620	
KEY A, W/ CPA, BLACK	33472-0653															CPA	M	1	3	4	6				SALEABLE	34951-0610	34951-0620	
VOID KEY	33472-0652																											
KEY D, GREEN	33472-0651															M	1	3	4	6					NOT RECOMMENDED	34951-0610	34951-0620	
KEY C, BROWN	33472-0650															M	1	3	4	6					NOT RECOMMENDED	34951-0610	34951-0620	
KEY B, LIGHT GRAY	33472-0649															M	1	3	4	6					SALEABLE	34951-0610	34951-0620	
KEY A, BLACK	33472-0648															M	1	3	4	6					SALEABLE	34951-0610	34951-0620	
VOID KEY	33472-0647																											
KEY D, W/ CPA, GREEN	33472-0646													D	CPA	M	1	3	4	6					NOT RECOMMENDED	34951-0610	34951-0620	
KEY C, W/ CPA, BROWN	33472-0645													C	CPA	M	1	3	4	6					NOT RECOMMENDED	34951-0610	34951-0620	
KEY B, W/ CPA, LIGHT GRAY	33472-0644															CPA	M	1	3	4	6				SALEABLE	34951-0610	34951-0620	
KEY A, W/ CPA, BLACK	33472-0643															CPA	M	1	3	4	6				SALEABLE	34951-0610	34951-0620	
KEY A, BLACK	33472-0642															M	1	3	4	6					SALEABLE	34951-0610	34951-0620	
KEY A, BLACK	33472-0641															M	2	3	4	5	6				SALEABLE	34951-0610	34951-0620	
ASSEMBLY DESCRIPTION	ASSEMBLY PART NUMBER	A	B	C	D	E	F	G	H	I	J	K	L	M	N	1	2	3	4	5	6							

DESCRIPTION	COLOR	MATERIAL
RING SEAL	BURNT ORANGE	INHERENTLY LUBRICATED SILICONE
PLR	NATURAL	SPS/NYLON GF20
GROMMET CAP	BLACK	SPS/NYLON GF20
MAT SEAL	LIGHT BLUE	INHERENTLY LUBRICATED SILICONE
CPA	RED	PBT GF30
HOUSING KEYING OPTION D	STONE GRAY	SPS/NYLON GF20
HOUSING KEYING OPTION C	DARK GRAY	SPS/NYLON GF20
HOUSING KEYING OPTION B	GREEN	SPS/NYLON GF20
HOUSING KEYING OPTION Z	BROWN	SPS/NYLON GF20
HOUSING KEYING OPTION E	LIGHT GRAY	SPS/NYLON GF20
HOUSING KEYING OPTION A	BLACK	SPS/NYLON GF20

**LEGEND TABLE**

ABBREVIATION	COMPONENT
A	HOUSING KEY A
B	HOUSING KEY B
C	HOUSING KEY C
D	HOUSING KEY D
GC	GROMMET CAP
M	MAT SEAL
R	RING SEAL
P	PLR, STANDARD
CPA	CPA
BKS	BACKSHELL

ENTER DESCRIPTION IEC NO. UAW2014-0981 DRAWN:ZUZELSKI 2015/04/03 CHKD: APPR:VKOSHY 2015/04/17 REVISIONS	QUALITY SYMBOLS ▽=0 ▽=0 ▽=0	GENERAL TOLERANCES (UNLESS SPECIFIED) DIMENSION STYLE MM ONLY SCALE DESIGN UNITS METRIC THIRD ANGLE PROJECTION	DRAWN BY DATE DGR1FF1THS 06-05-03 CHECKED BY DATE DGR1FF1THS 06-05-03 APPROVED BY DATE VKOSHY 2010/03/04	TITLE MX150 2X3 RECEPTACLE SEALED ASSEMBLY MAT SEAL molex MATERIAL NO. SEE BOM DOCUMENT NO. SD-33472-061 SHEET NO. 8 OF 9
--	--------------------------------------	---	---	--

ASSEMBLY DESCRIPTION	ASSEMBLY PART NUMBER	A	B	C	D	E	F	G	H	I	J	K	L	M	STATUS	COMMENTS	BACKSHELL WITH RIBS	BACKSHELL WITHOUT RIBS
KEY A, W/CPA, BLACK	33472-0692	A													CPA M	SALEABLE	34951-0610	34951-0620
KEY A, W/CPA, BLACK	33472-0691	A													CPA M	SALEABLE	34951-0610	34951-0620
KEY B, W/CPA, LIGHT GRAY	33472-0690	B													CPA M	SALEABLE	34951-0610	34951-0620
KEY A, W/CPA, BLACK	33472-0689	A													CPA M	SALEABLE	34951-0610	34951-0620
KEY A, W/CPA, BLACK	33472-0688	A													CPA M	SALEABLE	34951-0610	34951-0620
KEY A, BLACK	33472-0687	A													M	SALEABLE	34951-0610	34951-0620
KEY B, W/CPA, LIGHT GRAY	33472-0686	B													CPA M	SALEABLE	34951-0610	34951-0620
KEY B, W/CPA, LIGHT GRAY	33472-0685	B													CPA M	SALEABLE	34951-0610	34951-0620
KEY A, W/CPA, BLACK	33472-0684	A													CPA M	SALEABLE	34951-0610	34951-0620
KEY A, BLACK	33472-0683	A													M	SALEABLE	34951-0610	34951-0620
KEY A, W/CPA, YELLOW	33472-0682	A													CPA M	SALEABLE	34951-0610	34951-0620
ASSEMBLY DESCRIPTION	ASSEMBLY PART NUMBER	A	B	C	D	E	F	G	H	I	J	K	L	M	STATUS	COMMENTS	BACKSHELL WITH RIBS	BACKSHELL WITHOUT RIBS
															BLOCKED TERMINAL			
															OPTIONAL ATTACHMENTS SOLD SEPARATELY			

DESCRIPTION	COLOR	MATERIAL
RING SEAL	BURNT ORANGE	INHERENTLY LUBRICATED SILICONE
PLR	NATURAL	SPS/NYLON GF20
GROMMET CAP	BLACK	SPS/NYLON GF20
MAT SEAL	LIGHT BLUE	INHERENTLY LUBRICATED SILICONE
CPA	RED	PBT GF30
HOUSING KEYING OPTION A	YELLOW	SPS/NYLON GF20
HOUSING KEYING OPTION D	STONE GRAY	SPS/NYLON GF20
HOUSING KEYING OPTION C	DARK GRAY	SPS/NYLON GF20
HOUSING KEYING OPTION D	GREEN	SPS/NYLON GF20
HOUSING KEYING OPTION C	BROWN	SPS/NYLON GF20
HOUSING KEYING OPTION B	LIGHT GRAY	SPS/NYLON GF20
HOUSING KEYING OPTION A	BLACK	SPS/NYLON GF20
DESCRIPTION	COLOR	MATERIAL

BOM/APPLICABLE COMPONENTS TABLE

OBC SEE LATEST

0001

<b>ENTER DESCRIPTION</b> IEC NO. UAU2014-0981 DRAWN: JIZELSKI 2015/04/03 CHKD: APPR: VKOSHY 2015/04/17 REV:	QUALITY SYMBOLS ∇=0 ∇=0 ∇=0	GENERAL TOLERANCES (UNLESS SPECIFIED) mm INCH 4 PLACES # --- # --- 3 PLACES # --- # --- 2 PLACES # 0.10 # --- 1 PLACE # 0.3 # --- 0 PLACE # # ---	DIMENSION STYLE MM ONLY	SCALE 4:1	DESIGN UNITS METRIC	THIRD ANGLE PROJECTION
	DRAWN BY DGRIFFI THS 06-05-03 CHECKED BY DGRIFFI THS 06-05-03 APPROVED BY VKOSHY 2010/03/04	MATERIAL NO. 999999999	DATE 06-05-03 06-05-03	TITLE MX150 2X3 RECEPTACLE SEALED ASSEMBLY MAT SEAL <b>molex</b>	DOCUMENT NO. SD-33472-061	SHEET NO. 9 OF 9