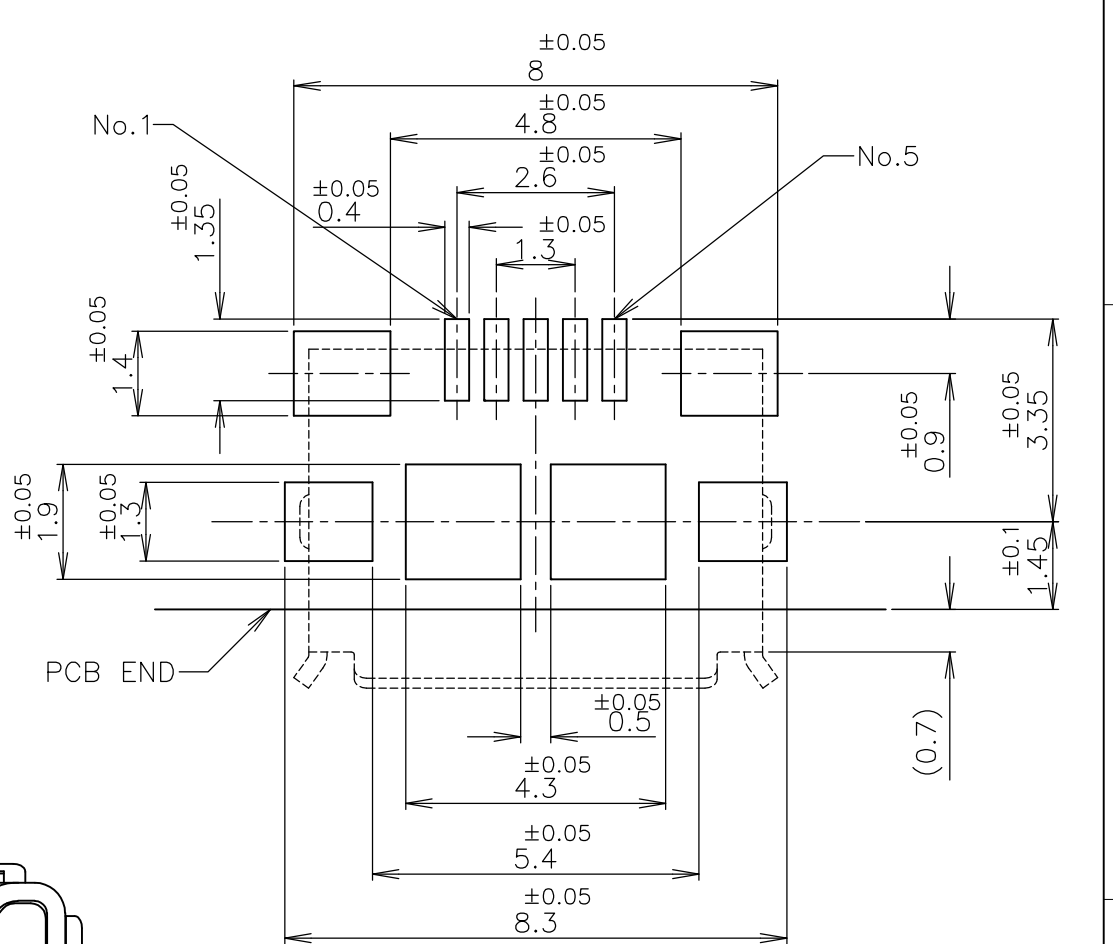
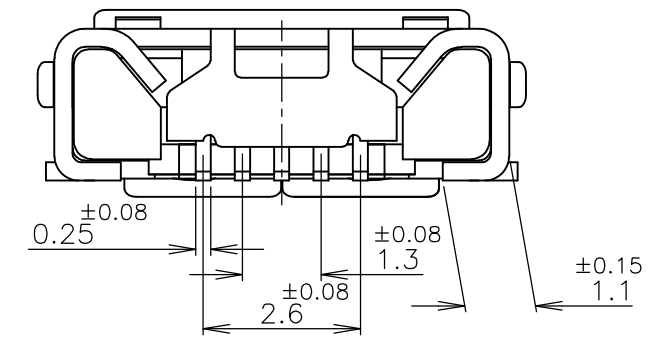
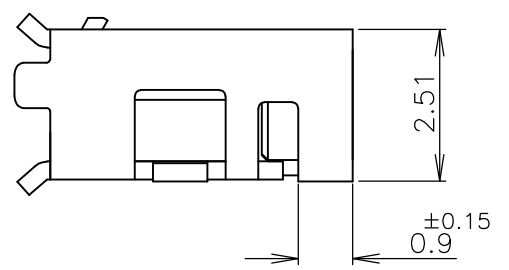
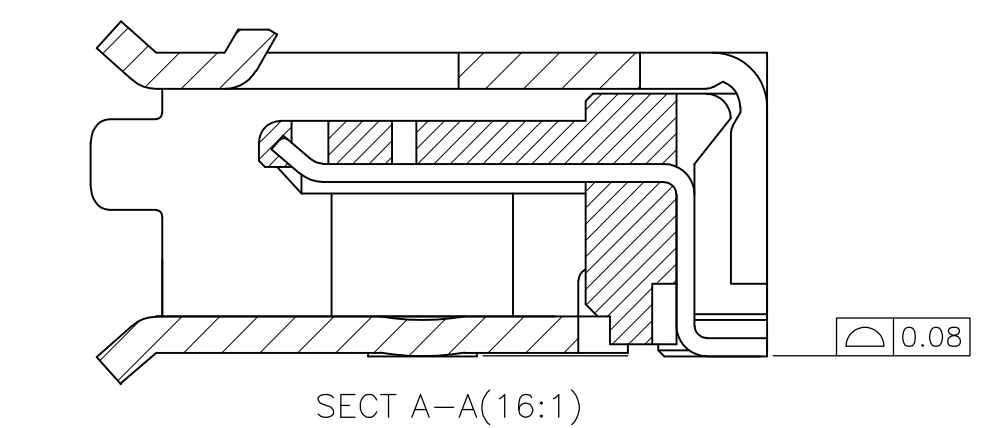
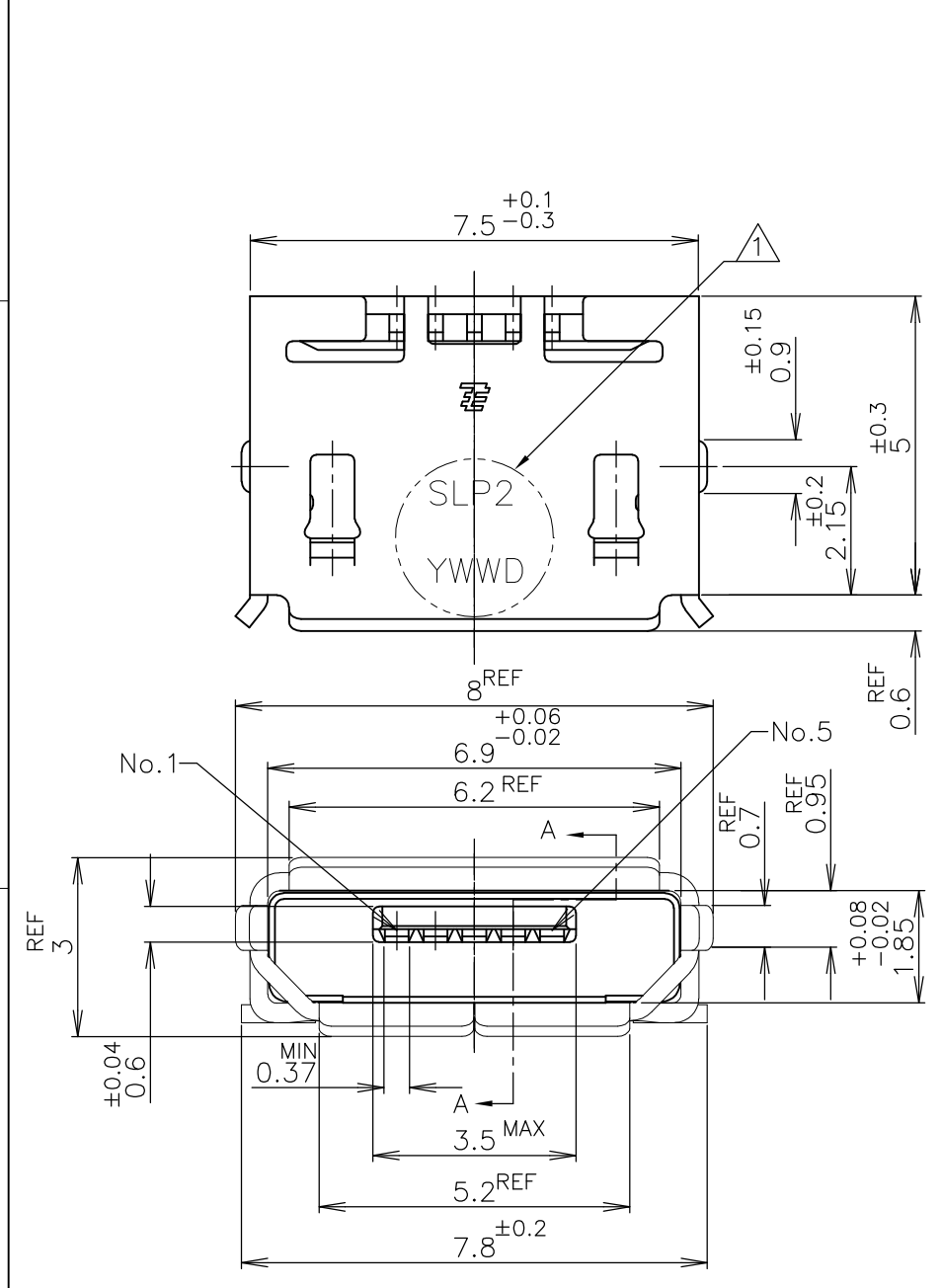

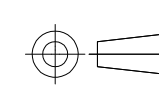


THIS DRAWING IS UNPUBLISHED. RELEASED FOR PUBLICATION JAN , 2007.  
 © COPYRIGHT 2007 By - ALL RIGHTS RESERVED.

LOC	DIST	REVISIONS					
J	/	P	LTR	DESCRIPTION	DATE	DWN	APVD
		E2		REVISED PER ECO-15-009877	03AUG15	AP	JH



- 1. DATE CODE AND VERSION MARKING
- 2. OVERALL TOLERANCE: ±0.2
- 3. MATERIAL HOUSING : THERMOPLASTIC RESIN UL94V-0  
CONTACT : COPPER ALLOY  
SHELL : STAINLESS STEEL
- 4. FINISH CONTACT : Ni UNDER PL  
Au PL  
SHELL : Ni UNDER PL  
Sn PL

THIS DRAWING IS A CONTROLLED DOCUMENT.		DWN J.TSUJI 06AUG2007	 TE Connectivity	
DIMENSIONS: 単位: 耗 MM TOLERANCES UNLESS OTHERWISE SPECIFIED: 一般公差 0 PLC ± - 1 PLC ± - 2 PLC ± - 3 PLC ± - 4 PLC ± - ANGLES ± 10 FINISH 仕上		CHK T.KUSUHARA 07AUG2007		
		APVD T.KUSUHARA 07AUG2007	MICRO USB RECEPTACLE STANDARD TYPE B ASSY	
1981568-1		PRODUCT SPEC 製品規格 108-78434	SIZE A3	CAGE CODE 00779
PART NUMBER		APPLICATION SPEC 取付適用規格	DRAWING NO 番号 C-1981568	
CUSTOMER DRAWING		WEIGHT	RESTRICTED TO -	
		SCALE 尺度 8:1	SHEET 1 OF 2	
				REV E2

4

3

2

1

THIS DRAWING IS UNPUBLISHED. RELEASED FOR PUBLICATION JAN , 2007.  
 © COPYRIGHT 2007 By - ALL RIGHTS RESERVED.

LOC	DIST	REVISIONS					
J	/	P	LTR	DESCRIPTION	DATE	DWN	APVD
		-		SEE SHEET 1	-	-	-

D

D

C

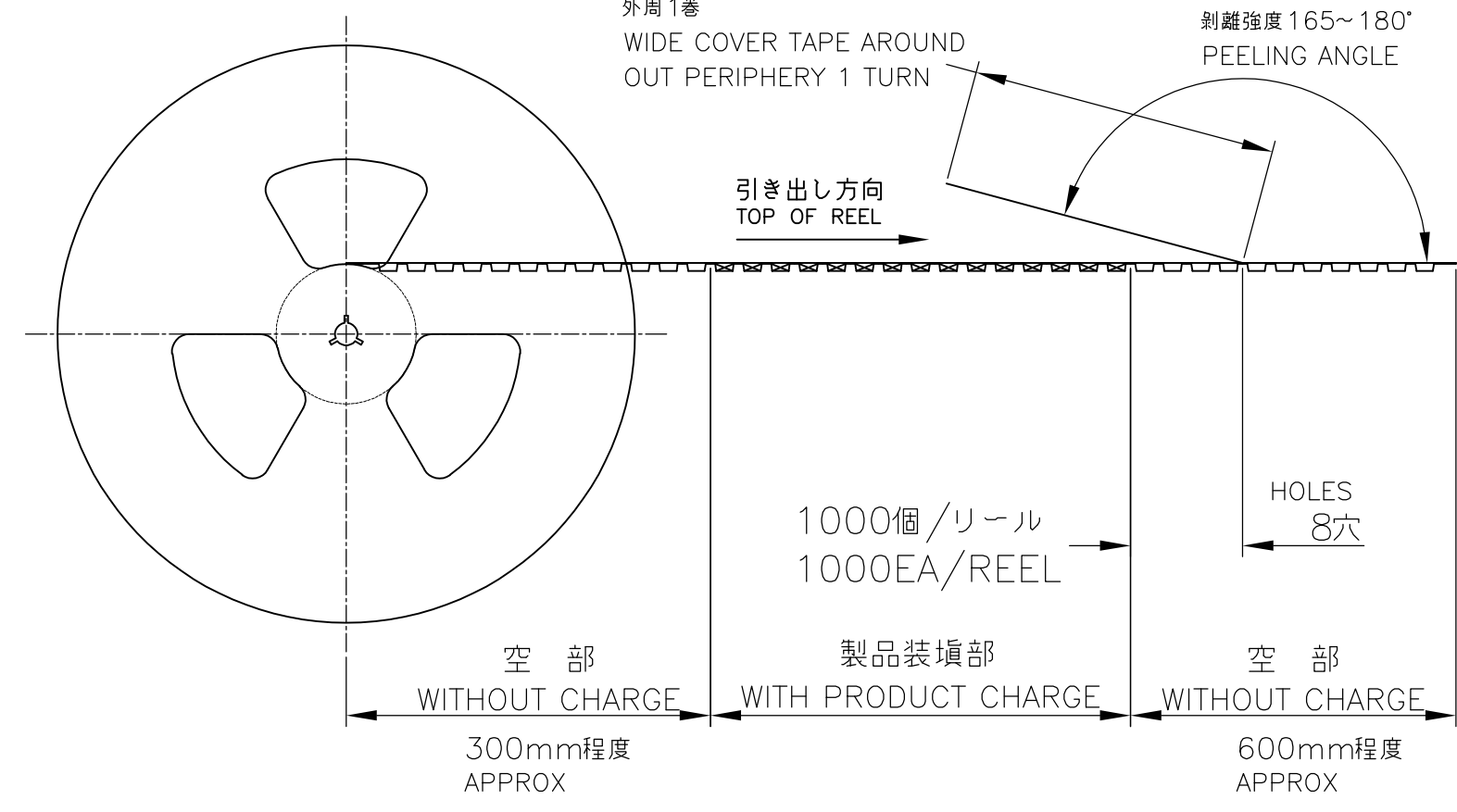
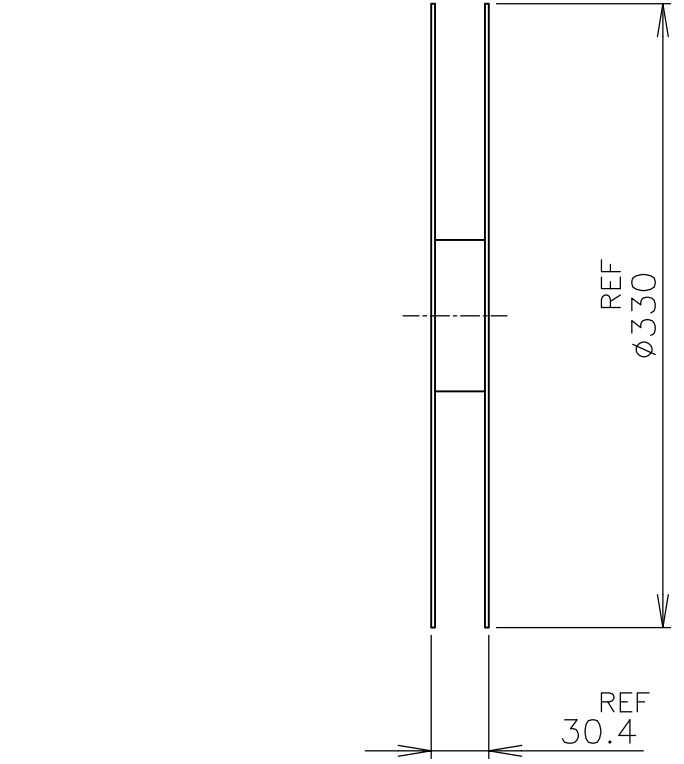
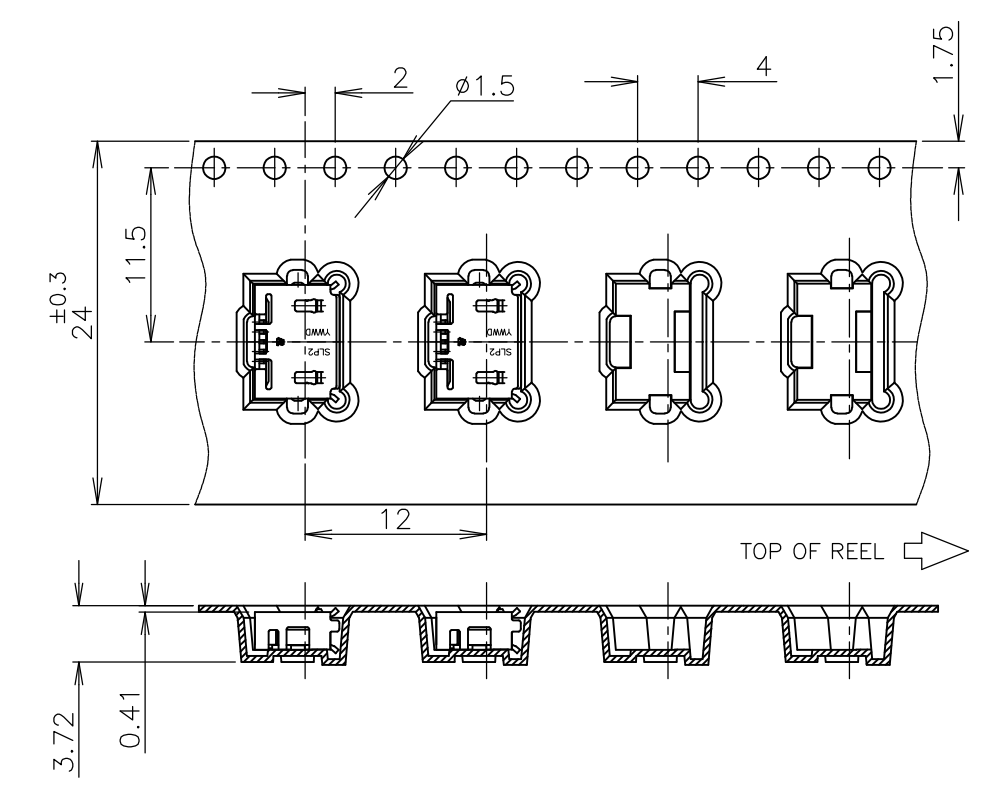
C

B

B

A

A



THIS DRAWING IS A CONTROLLED DOCUMENT.		DWN	TE Connectivity		
DIMENSIONS: 単位: 耗 MM		CHK	NAME 名称		
TOLERANCES UNLESS OTHERWISE SPECIFIED: 一般公差		APVD	MICRO USB RECEPTACLE STANDARD TYPE B ASSY		
0 PLC ±-	1 PLC ±-	PRODUCT SPEC 製品規格	SIZE	CAGE CODE	DRAWING NO 番号
2 PLC ±-	3 PLC ±-	APPLICATION SPEC 取付適用規格	A3	00779	C-1981568
4 PLC ±-	ANGLES ±-	WEIGHT	RESTRICTED TO		
MATERIAL 材料	FINISH 仕上	CUSTOMER DRAWING		SCALE 尺度 2:1	SHEET 2 OF 2
				REV E2	