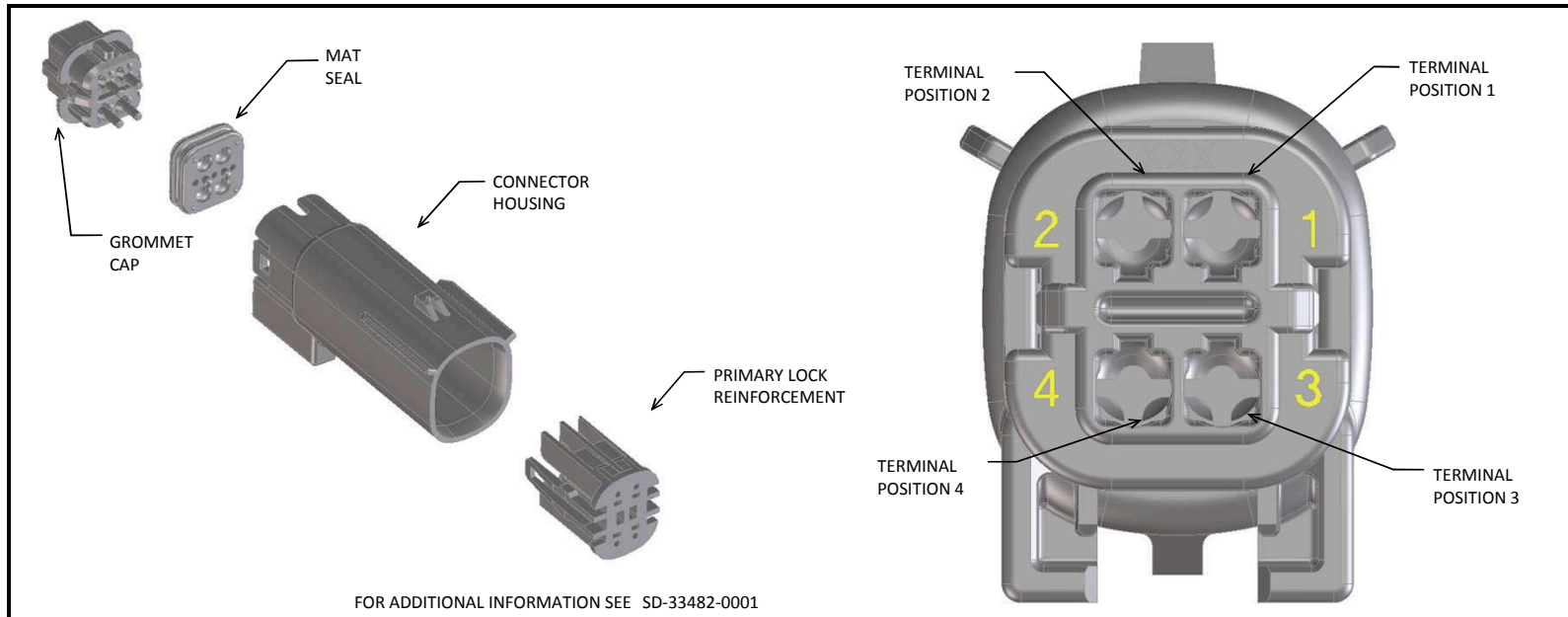


MX150 2X2 BLADE SEALED ASSEMBLY MAT SEAL  
BOM AND PIN OUT SHEET



FOR ADDITIONAL INFORMATION SEE SD-33482-0001

ABBREVIATION	DESCRIPTION	COLOR	MATERIAL
A-BLK	HOUSING, KEYING OPTION A	BLACK	SPS/NYLON GF20
B-LG	HOUSING, KEYING OPTION B	LIGHT GRAY	SPS/NYLON GF20
C-BR	HOUSING, KEYING OPTION C	BROWN	SPS/NYLON GF20
D-GR	HOUSING, KEYING OPTION D	GREEN	SPS/NYLON GF20
C-DG	HOUSING, KEYING OPTION C	DARK GRAY	SPS/NYLON GF20
D-SG	HOUSING, KEYING OPTION D	STONE GRAY	SPS/NYLON GF20
A-YW	HOUSING, KEYING OPTION A	YELLOW	SPS/NYLON GF20
GCP	GROMMET CAP (PLUGGED)	BLACK	SPS/NYLON GF20
GCO	GROMMET CAP (OPEN)	BLACK	SPS/NYLON GF20
PLR	PLR	NATURAL	SPS/NYLON GF20
M	MAT SEAL	ROYAL BLUE	INHERENTLY LUBRICATED SILICONE

ASSEMBLY DESCRIPTION	ASSEMBLY PART NUMBER	COMPONENT				BLOCKED TERMINALS												STATUS	COMMENTS	OPTIONAL ATTACHMENTS SOLD SEPERATELY			
		THE PRESENCE OF AN ABBREVIATION INDICATES THE PRESENCE OF THAT COMPONENT.				CAVITY WITH A NUMBER INDICATES BLOCKED TERMINAL POSITION CAVITY WITHOUT A NUMBER INDICATES OPEN TERMINAL POSITION														BACKSHELL WITH RIBS	BACKSHELL WITHOUT RIBS		
		HOUSING KEY/COLOR	GROMMET CAP	PLR	MAT SEAL	1	2	3	4														
KEY A, BLACK	33482-4001	A-BLK	GCO	PLR	M															NOT VALIDATED			
KEY B, LIGHT GRAY	33482-4002	B-LG	GCO	PLR	M																NOT VALIDATED		
KEY C, BROWN	33482-4003	C-BR	GCO	PLR	M																NOT RECOMMENDED	SEE 33482-4103	
KEY D, GREEN	33482-4004	D-GR	GCO	PLR	M																NOT RECOMMENDED	SEE 33482-4104	
KEY A, BLACK	33482-4006	A-BLK	GCP	PLR	M		2														NOT VALIDATED		
KEY B, LIGHT GRAY	33482-4007	B-LG	GCP	PLR	M		2														NOT VALIDATED		
KEY C, BROWN	33482-4008	C-BR	GCP	PLR	M		2														NOT RECOMMENDED	SEE 33482-4105	
KEY D, GREEN	33482-4009	D-GR	GCP	PLR	M		2														NOT RECOMMENDED	SEE 33482-4106	
KEY A, BLACK	33482-4011	A-BLK	GCP	PLR	M		2	3													NOT VALIDATED		
KEY B, LIGHT GRAY	33482-4012	B-LG	GCP	PLR	M		2	3													NOT VALIDATED		
KEY C, BROWN	33482-4013	C-BR	GCP	PLR	M		2	3													NOT RECOMMENDED	SEE 33482-4107	
KEY D, GREEN	33482-4014	D-GR	GCP	PLR	M		2	3													NOT RECOMMENDED	SEE 33482-4108	
KEY A, BLACK	33482-4016	A-BLK	GCP	PLR	M	1	2	3	4												NOT VALIDATED		
KEY B, LIGHT GRAY	33482-4017	B-LG	GCP	PLR	M	1	2	3	4												NOT VALIDATED		
KEY C, BROWN	33482-4018	C-BR	GCP	PLR	M	1	2	3	4												NOT RECOMMENDED	SEE 33482-4109	
KEY D, GREEN	33482-4019	D-GR	GCP	PLR	M	1	2	3	4												NOT RECOMMENDED	SEE 33482-4110	
KEY A, BLACK	33482-4021	A-BLK	GCP	PLR	M	1	2	3													NOT VALIDATED		
KEY A, BLACK	33482-4022	A-BLK	GCP	PLR	M				4												NOT VALIDATED		
KEY A, BLACK	33482-4023	A-BLK	GCP	PLR	M			3	4												NOT VALIDATED		
KEY A, BLACK	33482-4024	A-BLK	GCP	PLR	M			3													NOT VALIDATED		
KEY A, BLACK	33482-4025	A-BLK	GCP	PLR	M	1	2														NOT VALIDATED		
KEY C, DARK GRAY	33482-4103	C-DG	GCO	PLR	M																NOT VALIDATED		
KEY D, STONE GRAY	33482-4104	D-SG	GCO	PLR	M																NOT VALIDATED		
KEY C, DARK GRAY	33482-4105	C-DG	GCP	PLR	M		2														NOT VALIDATED		
KEY D, STONE GRAY	33482-4106	D-SG	GCP	PLR	M		2														NOT VALIDATED		
KEY C, DARK GRAY	33482-4107	C-DG	GCP	PLR	M		2	3													NOT VALIDATED		
KEY D, STONE GRAY	33482-4108	D-SG	GCP	PLR	M		2	3													NOT VALIDATED		
KEY C, DARK GRAY	33482-4109	C-DG	GCP	PLR	M	1	2	3	4												NOT VALIDATED		
KEY D, STONE GRAY	33482-4110	D-SG	GCP	PLR	M	1	2	3	4												NOT VALIDATED		
KEY A, BLACK	33482-4111	A-BLK	GCP	PLR	M		2		4												NOT VALIDATED		
KEY A, YELLOW	33482-4112	A-YW	GCO	PLR	M																NOT VALIDATED		
KEY B, LIGHT GRAY	33482-4113	B-LG	GCP	PLR	M	1															NOT VALIDATED		
KEY A, BLACK	33482-4114	A-BLK	GCP	PLR	M	1		3													NOT VALIDATED		
KEY C, DARK GRAY	33482-4115	C-DG	GCP	PLR	M		2		4												NOT VALIDATED		













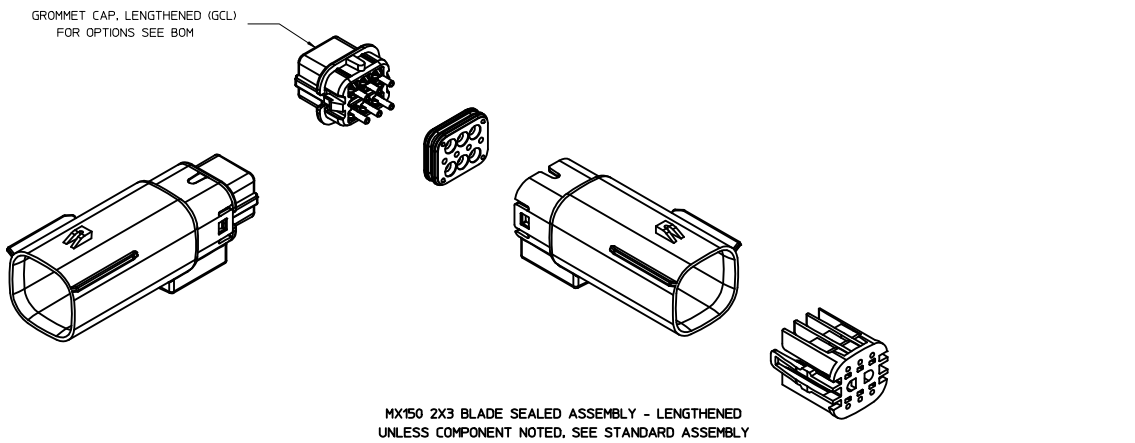
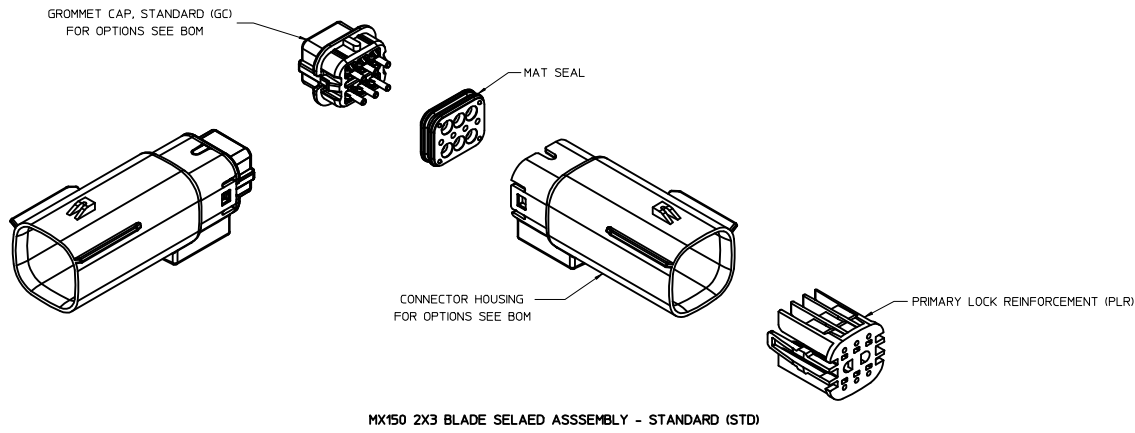








TABLE OF CONTENTS	
SHEET NO.	SHEET DESCRIPTION
1	NOTES
2	KEY CONFIGURATIONS
3	BLADE SEALED ASSEMBLY
4	SYSTEM PACKAGING
5	BACKSHELL NOTES
6	BACKSHELL
7	BACKSHELL CONFIGURATIONS
8	BOM



NOTES: VALID UNLESS OTHERWISE SPECIFIED

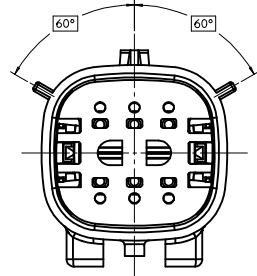
1. GENERAL:
  - a. APPLICATION SPECIFICATION SEE: AS-33472-100  
CONTAINS: PRODUCT INTRODUCTION, PRODUCT SUMMARY, CONNECTOR ASSEMBLY, PACKAGING INFORMATION, CONNECTOR MATING, SERVICE INSTRUCTIONS, ELECTRICAL CONTINUITY CHECKING, CRIMPING, AND TROUBLESHOOTING.  
-DESIGNED TO MATE WITH RECEPTACLE SEALED ASSEMBLY SPECIFIED IN MOLEX CHARTED DRAWING SD-33472-061 AND SD-33472-071.  
-FOR 15mm BLADE TERMINALS TO BE USED WITH THIS ASSEMBLY SEE MOLEX DRAWING SD-33000-001  
-SYSTEM TO BE USED WITH WIRE WITHIN DIAMETER RANGE OF 1.2mm TO 2.69mm.  
-ASSEMBLY SHIPPED WITH PLR IN PRE-LOCK POSITION  
-IN THE EVENT THAT THE PLR IS FOUND IN THE SEATED (FINAL LOCK) POSITION, REFER TO MOLEX SPECIFICATION PS-34646-001, AVAILABLE AT [www.molex.com](http://www.molex.com) <<http://www.molex.com>>  
-ASSEMBLY CONFORMS TO SAE/USCAR-2 REV.4 WITH THE FOLLOWING EXCEPTIONS: TERMINAL INSERTION FORCE FOR WIRE DIAMETER ABOVE 2.5mm NOT EXCEEDING 2.69mm SHALL NOT EXCEED 45 NEWTONS.
  - b. PRODUCT SPECIFICATION SEE: PS-33472-000  
CONTAINS: PRODUCT INTRODUCTION, PRODUCT SUMMARY, RATINGS (CURRENT, TEMPERATURE, SEALING, AND FLAMMABILITY), AND PRODUCT VALIDATION.
  - c. PACKAGING SPECIFICATION PER MOLEX DRAWING: PK-31300-435
  - d. PARTS MUST BE IN COMPLIANCE TO MOLEX CHEMICAL SUBSTANCES FOR PRODUCTS AND PACKAGING SPECIFICATION: ES-40000-5016
  - e. DATA MUST BE SUBMITTED UNDER THE MOLEX PART NUMBER TO IMDS (COMPANY ID#13255)
2. DESIGN - MATERIALS:
  - a. SEE BOM TABLE.
3. DESIGN - GEOMETRY:
  - a. THIS IS A 100% CAD GENERATED PART. THE CAD MATHEMATICAL DATA IS THE MASTER FOR THIS PART. FOR DIMENSIONAL OR ANY INFORMATION NOT SHOWN ON THIS DRAWING, ANALYZE THE CAD MODEL.
  - b. GEOMETRIC DIMENSIONS AND TOLERANCES PER ASME Y14.5M - 1994
  - c. EDGES AND UNDIMENSIONED DETAILS PER ISO13715
  - d. CORNERS SHOWN AS SHARP TO BE R 0.2 MAX.
  - e. LETTERING SHALL BE 0.15 MAX RAISED IN 0.25 MAX RECESS PAD. THIS INCLUDES RECYCLING CODE, CAVITY ID, VENDOR IDENTIFICATION, AND CUSTOMER MATERIAL NUMBER.
  - f. VISUAL DEFECTS SHALL MEET COSMETIC STANDARD PS-45499-002 (Class B).
  - g. LASER MARKING: TBD

INSPECTION NUMBER LOG  
LAST NUMBER USED: 5  
ADDED:  
REMOVED: 2

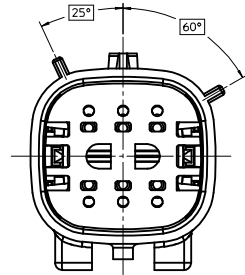
AA8	ADD NEW P/N 33482-0650	33482-0651
AA7	ADD NEW P/N 33482-0649	
AA6	ADD NEW P/N 33482-0648	
AA5	ADD NEW P/N 33482-0646	33482-0647
AA4	ADD NEW P/N 33482-0645	
AA3	ADD NEW P/N 33482-0644	
AA2	CHANGE PART NUMBER STATUS ADD NEW P/N 33482-0641 33482-0642 33482-0643	
REV	DESCRIPTION	

REVISED	ECC NO.	DRAWN BY	CHKD:	APPR:	DESCRIPTION	QUALITY SYMBOLS	GENERAL TOLERANCES (UNLESS SPECIFIED)		DIMENSION STYLE		SCALE		DESIGN UNITS		THIRD ANGLE PROJECTION	
							mm	INCH	MM ONLY	DATE	TITLE	METRIC				
AA8	2015/03/18	MDICK			2015/03/26	∇=0 ∇=0 ∇=0	4 PLACES ± 0.10 3 PLACES ± 0.25 2 PLACES ± 0.50 1 PLACE ± 0.75 0 PLACE ± 1.50	DRAWN BY DATE MDICK 2011/07/22 CHECKED BY DATE MDICK 2011/12/19 APPROVED BY DATE	2:1 DATE 2011/07/22	MX150 2X3 BLADE SEALED ASSEMBLY MAT SEAL <b>molex</b>	MATERIAL NO. SEE BOM	DOCUMENT NO. SD-33482-061	SHEET NO. 1 OF 9			
DRAFT WHERE APPLICABLE MUST REMAIN WITHIN DIMENSIONS						ANGULAR ± 3 °		SIZE D THIS DRAWING CONTAINS INFORMATION THAT IS PROPRIETARY TO MOLEX INCORPORATED AND SHOULD NOT BE USED WITHOUT WRITTEN PERMISSION								

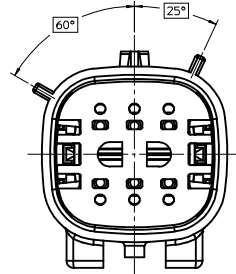
KEY CONFIGURATIONS



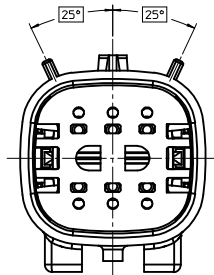
KEY A



KEY B



KEY C

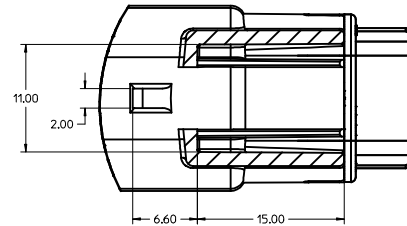
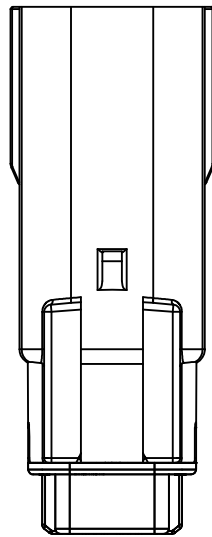
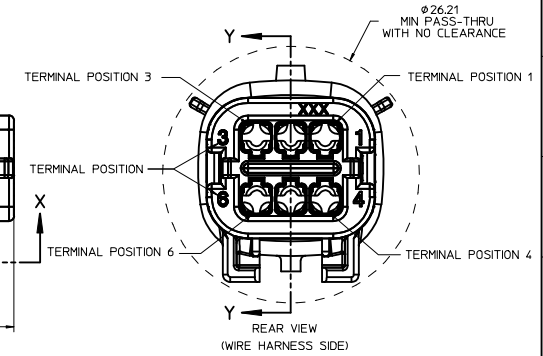
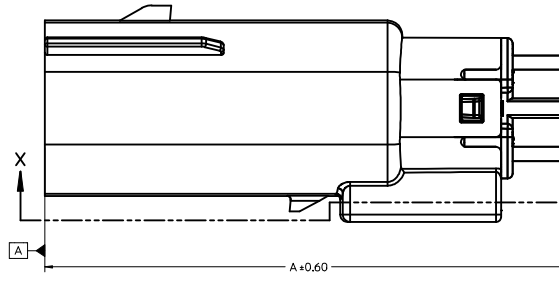
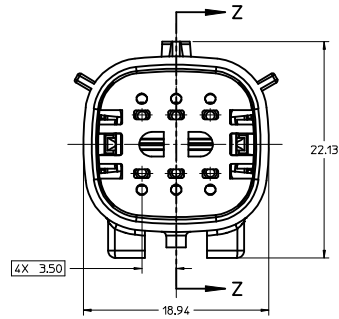
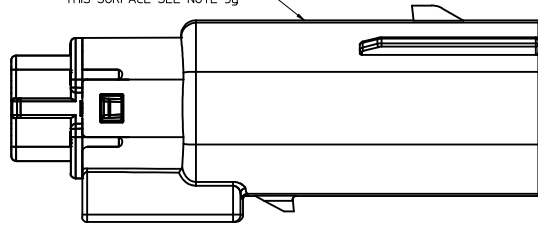


KEY D

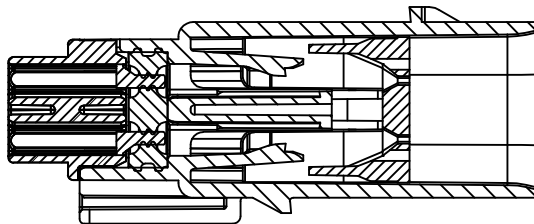
REVISED REC NO: UAU2015-1383 DRAWN BY: 2015/03/18 CHYK: APPR: WKSHY 2015/03/26 REVISION DESCRIPTION AAB	QUALITY SYMBOLS ▽=0 ▽=0 ▽=0		GENERAL TOLERANCES (UNLESS SPECIFIED) mm INCH 4 PLACES ± --- ± --- 3 PLACES ± --- ± --- 2 PLACES ± 0.10 ± --- 1 PLACE ± 0.3 ± --- 0 PLACE ± ±		DIMENSION STYLE MM ONLY DRAWN BY: MDICK DATE: 2011/07/22 CHECKED BY: MDICK DATE: 2011/12/19 APPROVED BY:		SCALE 4:1	DESIGN UNITS METRIC	THIRD ANGLE PROJECTION	TITLE MX150 2X3 BLADE SEALED ASSEMBLY MAT SEAL		MATERIAL NO. SEE BOM	DOCUMENT NO. SD-33482-061	SHEET NO. 2 OF 9
	ANGLAR ± 3 ° DRAFT WHERE APPLICABLE MUST REMAIN WITHIN DIMENSIONS		SIZE D		THIS DRAWING CONTAINS INFORMATION THAT IS PROPRIETARY TO MOLEX INCORPORATED AND SHOULD NOT BE USED WITHOUT WRITTEN PERMISSION									
	molex													
	1b_frame_0_P_AM_T Rev. G 2012/01/11													

**BLADE SEALED ASSEMBLY**

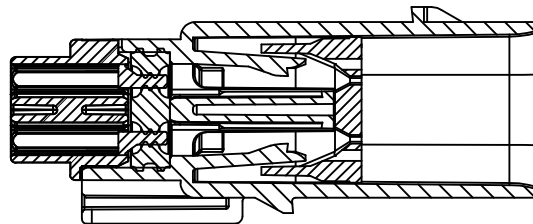
OPTIONAL LASER MARKING ON THIS SURFACE SEE NOTE 3g



Partial X-X  
SCALE 4:1



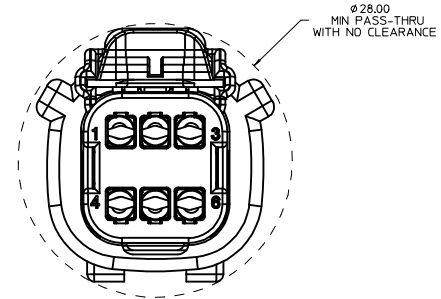
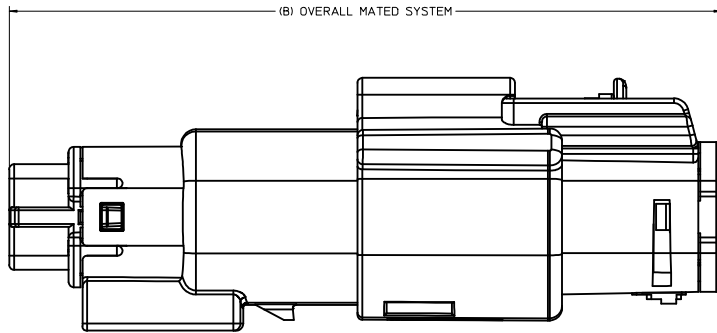
PRIMARY LOCK REINFORCEMENT (PLR) SHOWN IN PRE-STAGED POSITION  
SECTION Z-Z



PRIMARY LOCK REINFORCEMENT (PLR) SHOWN IN FINAL-LOCK POSITION  
SECTION Y-Y

CHARTED DIMENSIONS	
CONFIGURATION	A
MX150 2X3 BLADE SEALED ASSEMBLY - STANDARD	53.85
MX150 2X3 BLADE SEALED ASSEMBLY - LENGTHENED	55.85

<b>REVISED</b> REC NO. UAU2015-1383 DRAWN BY 2015/03/18 CHKD: APPR: WOSHY 2015/03/26 REV DESCRIPTION AAB	QUALITY SYMBOLS	GENERAL TOLERANCES (UNLESS SPECIFIED)	DIMENSION STYLE	SCALE	DESIGN UNITS	THIRD ANGLE PROJECTION
	∇=0 ∇=0 ∇=0	mm INCH 4 PLACES ± --- ± --- 3 PLACES ± --- ± --- 2 PLACES ± 0.10 ± --- 1 PLACE ± 0.3 ± --- 0 PLACE ± ±	MM ONLY	4:1	METRIC	DRAWN BY DATE MDICK 2011/07/22 CHECKED BY DATE MDICK 2011/12/19 APPROVED BY DATE
	ANGULAR ± 3 ° DRAFT WHERE APPLICABLE MUST REMAIN WITHIN DIMENSIONS	MATERIAL NO.	SEE BOM	DOCUMENT NO.	MX150 2X3 BLADE SEALED ASSEMBLY MAT SEAL <b>molex</b> SD-33482-061	
	SIZE D THIS DRAWING CONTAINS INFORMATION THAT IS PROPRIETARY TO MOLEX INCORPORATED AND SHOULD NOT BE USED WITHOUT WRITTEN PERMISSION	SHEET NO.	3 OF 9			



CHARTED DIMENSIONS	
CONFIGURATION	B
MX150 2X3 BLADE SEALED ASSEMBLY - STANDARD	72.78
MX150 2X3 BLADE SEALED ASSEMBLY - LENGTHENED	74.79

CHARTED DIMENSIONS	
CONFIGURATION	C
MX150 2X3 RECEPTACLE SEALED ASSEMBLY WITHOUT CLIPSLLOT	30.50
MX150 2X3 RECEPTACLE SEALED ASSEMBLY WITH CLIPSLLOT	28.00

REVISED REC NO: UAU2015-1383 DRAWN BY: CHYK APPR: WKSHY AAB 2015/03/18 2015/03/26	QUALITY SYMBOLS	GENERAL TOLERANCES (UNLESS SPECIFIED)	DIMENSION STYLE	SCALE	DESIGN UNITS	THIRD ANGLE PROJECTION
	▽=0	4 PLACES ± mm ± INCH	MM ONLY	4:1	METRIC	☉
	▽=0	3 PLACES ± 0.10 ± --- ± ---	DRAWN BY DATE			
	▽=0	2 PLACES ± 0.3 ± --- ± ---	CHECKED BY DATE			
	0 PLACE ± ±	1 PLACE ± 0.3 ± --- ± ---	APPROVED BY DATE			
		ANGULAR ± 3 °	MATERIAL NO.			
		DRAFT WHERE APPLICABLE MUST REMAIN WITHIN DIMENSIONS	SEE BOM			
			SIZE D			
			THIS DRAWING CONTAINS INFORMATION THAT IS PROPRIETARY TO MOLEX INCORPORATED AND SHOULD NOT BE USED WITHOUT WRITTEN PERMISSION			
					DOCUMENT NO. SD-33482-061	SHEET NO. 4 OF 9

MX150 2X3 BLADE SEALED ASSEMBLY MAT SEAL

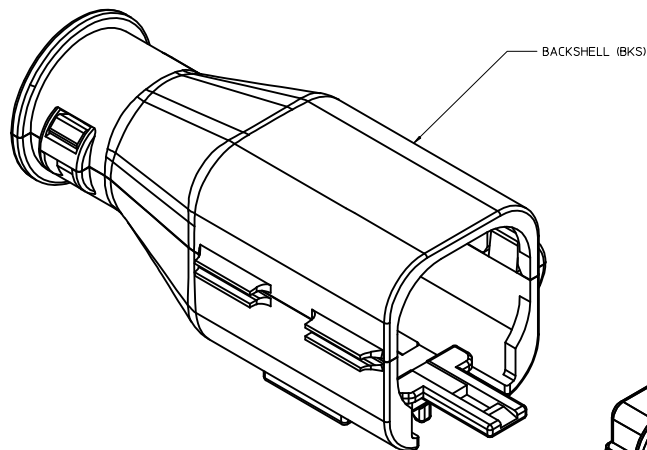
**molex**

BACKSHELL NOTES

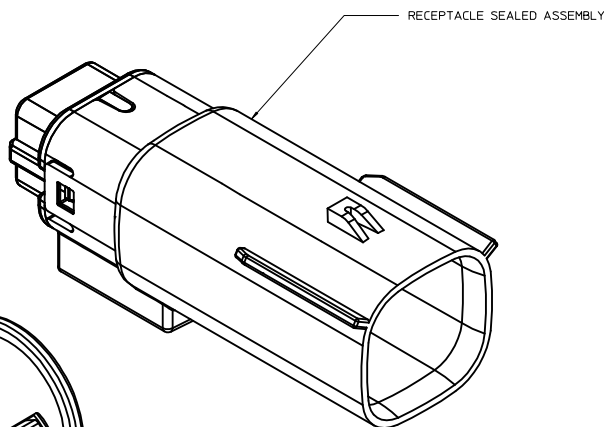
BACKSHELL NOTES: VALID UNLESS OTHERWISE SPECIFIED

1. GENERAL:

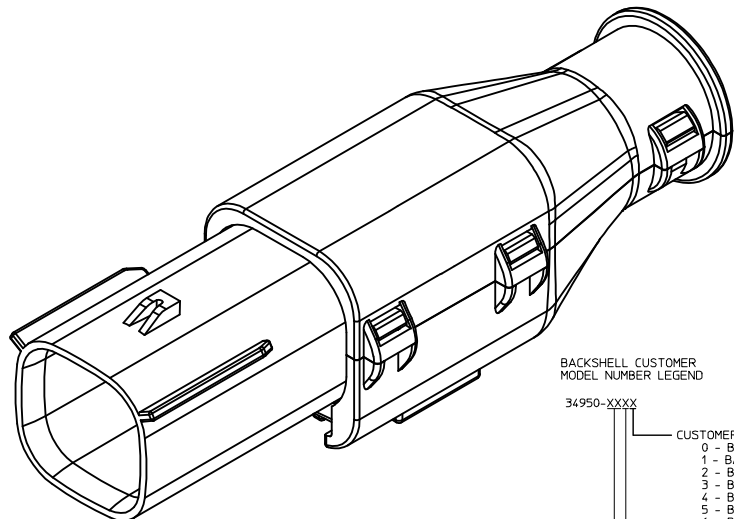
- a. APPLICATION SPECIFICATION SEE: AS-34951-001
  - DESIGNED TO MATE WITH BLADE SEALED ASSEMBLY SPECIFIED IN MOLEX DRAWING SD-33482-061.
  - SYSTEM TO BE USED WITH WIRE WITHIN DIAMETER RANGE OF 1.2mm TO 2.69mm.
  - COMPONENTS ARE OPTIONAL AND MUST BE PURCHASED SEPARATELY
  - BACKSHELL DESIGN IS OWNED BY SCHLEMMER
  - FOR ADDITIONAL INFORMATION SEE THE BACKSHELL COMPONENT DRAWING SD-34950-0001.



BACKSHELL (BKS)



RECEPTACLE SEALED ASSEMBLY



BACKSHELL CUSTOMER MODEL NUMBER LEGEND

34950-XXXX

CUSTOMER MODEL COMPONENTS

- 0 - BACKSHELL ONLY
- 1 - BACKSHELL & MX150 HOUSING KEY A ASSEMBLY
- 2 - BACKSHELL & MX150 HOUSING KEY B ASSEMBLY
- 3 - BACKSHELL & MX150 HOUSING KEY C ASSEMBLY
- 4 - BACKSHELL & MX150 HOUSING KEY D ASSEMBLY
- 5 - BACKSHELL & MX150 2X3 LENGTHENED HOUSING KEY A ASSEMBLY
- 6 - BACKSHELL & MX150 2X3 LENGTHENED HOUSING KEY B ASSEMBLY
- 7 - BACKSHELL & MX150 2X3 LENGTHENED HOUSING KEY C ASSEMBLY
- 8 - BACKSHELL & MX150 2X3 LENGTHENED HOUSING KEY D ASSEMBLY

BACKSHELL FEATURES

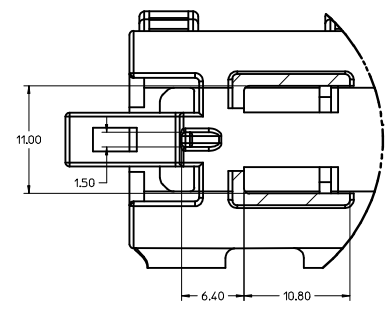
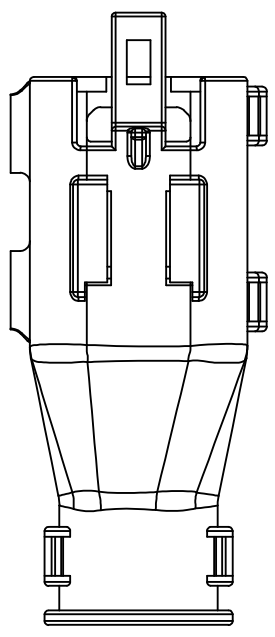
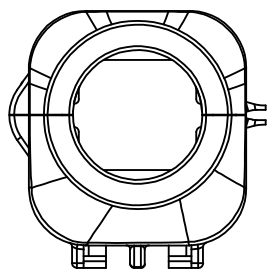
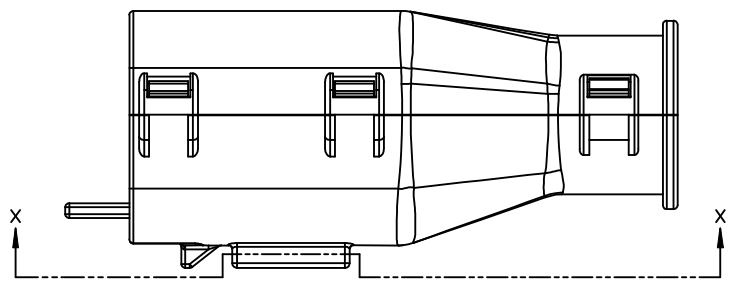
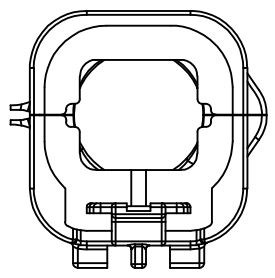
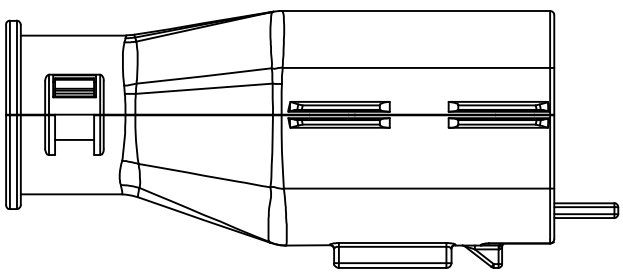
- 1 - WITH RIBS
- 2 - WITHOUT RIBS

MX150 CIRCUIT SIZE 04, 06, 08, 12, 16, 20

REVISED ECC NO. UAU2015-1383 DRAWN BY AA8 CHKD: APPR:WKOSHY REV DESCRIPTION	2015/03/18	QUALITY SYMBOLS ▽=0 ▽=0 ▽=0	GENERAL TOLERANCES (UNLESS SPECIFIED)		DIMENSION STYLE MM ONLY		SCALE 4:1	DESIGN UNITS METRIC	THIRD ANGLE PROJECTION
	2015/03/26		mm	INCH	DRAWN BY DATE MDICK 2011/07/22		TITLE MX150 2X3 BLADE SEALED ASSEMBLY MAT SEAL		
DRAFT WHERE APPLICABLE MUST REMAIN WITHIN DIMENSIONS			4 PLACES ±	3 PLACES ±	2 PLACES ±0.10	1 PLACE ±0.3	0 PLACE ±	APPROVED BY DATE	
ANGULAR ± 3 °			MATERIAL NO. SEE BOM		DOCUMENT NO. SD-33482-061		SHEET NO. 5 OF 9		
THIS DRAWING CONTAINS INFORMATION THAT IS PROPRIETARY TO MOLEX INCORPORATED AND SHOULD NOT BE USED WITHOUT WRITTEN PERMISSION									

20 19 18 17 16 15 14 13 12 11 10 9 8 7 6 5 4 3 2 1

BACKSHELL  
THE VIEWS ON THIS SHEET ARE  
IN THE CLOSED UN-ASSEMBLED POSITION

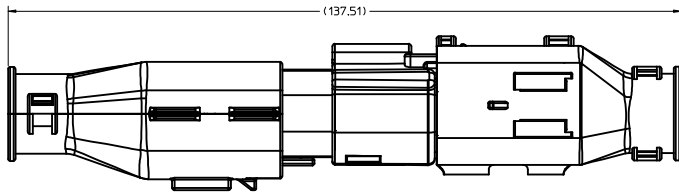


Partial X-X  
SCALE 4:1

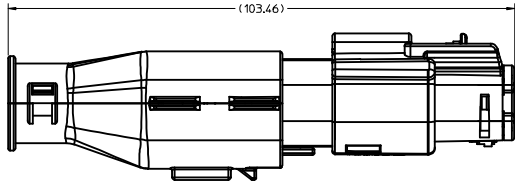
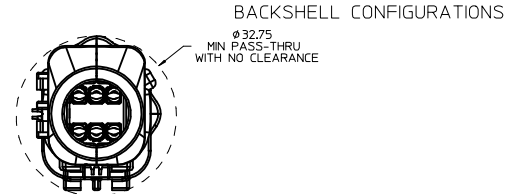
REVISED REC NO: UAU2015-1383 DRAWN BY: CHYKZ APPR: WQSHY AAB 2015/03/18 2015/03/26 DESCRIPTION	QUALITY SYMBOLS	GENERAL TOLERANCES (UNLESS SPECIFIED)	DIMENSION STYLE	SCALE	DESIGN UNITS	THIRD ANGLE PROJECTION
	∇=0 ∇=0 ∇=0	mm INCH 4 PLACES ± --- ± --- 3 PLACES ± --- ± --- 2 PLACES ± 0.10 ± --- 1 PLACE ± 0.3 ± --- 0 PLACE ± ±	MM ONLY	4:1	METRIC	DRAWN BY DATE MD LCK 2011/07/22 CHECKED BY DATE MD LCK 2011/12/19 APPROVED BY DATE
	ANGULAR ± 3 ° DRAFT WHERE APPLICABLE MUST REMAIN WITHIN DIMENSIONS	MATERIAL NO.	DOCUMENT NO.	TITLE MX150 2X3 BLADE SEALED ASSEMBLY MAT SEAL <b>molex</b>		SHEET NO.
	SEE BOM	SD-33482-061	6 OF 9	THIS DRAWING CONTAINS INFORMATION THAT IS PROPRIETARY TO MOLEX INCORPORATED AND SHOULD NOT BE USED WITHOUT WRITTEN PERMISSION		

19 18 17 16 15 14 13 12 11 10 9 8 7 6 5 4 3 2 1

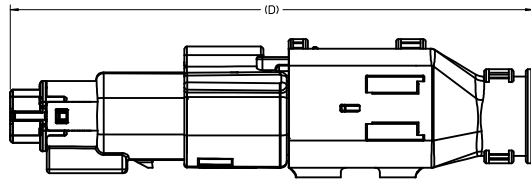
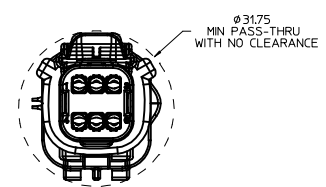




OVERALL MATED SYSTEM WITH BLADE AND RECEPTACLE BACKSHELL

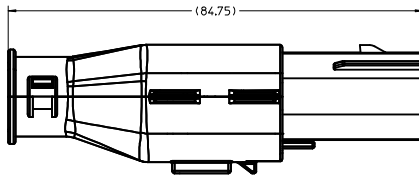
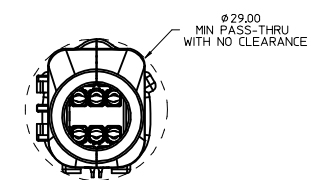


OVERALL MATED SYSTEM WITH BLADE BACKSHELL

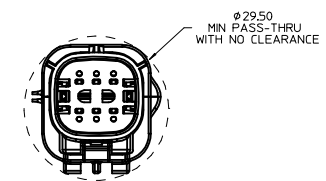


OVERALL MATED SYSTEM WITH RECEPTACLE BACKSHELL

CHARTED DIMENSIONS	
CONFIGURATION	D
MX150 2X3 BLADE SEALED ASSEMBLY - STANDARD	106.83
MX150 2X3 BLADE SEALED ASSEMBLY - LENGTHENED	108.71



BLADE SEALED ASSEMBLY WITH BLADE BACKSHELL



<b>REVISED</b> REC NO: UAU2015-1383 DRAWN BY: CHYK APPR: WKSHY 2015/03/18 2015/03/26 2015/03/26	QUALITY SYMBOLS	GENERAL TOLERANCES (UNLESS SPECIFIED)	DIMENSION STYLE	SCALE	DESIGN UNITS	THIRD ANGLE PROJECTION																					
	$\nabla=0$ $\nabla=0$ $\nabla=0$	<table border="1"> <thead> <tr> <th></th> <th>mm</th> <th>INCH</th> </tr> </thead> <tbody> <tr> <td>4 PLACES</td> <td>± 0.10</td> <td>± 0.004</td> </tr> <tr> <td>3 PLACES</td> <td>± 0.15</td> <td>± 0.005</td> </tr> <tr> <td>2 PLACES</td> <td>± 0.20</td> <td>± 0.008</td> </tr> <tr> <td>1 PLACE</td> <td>± 0.30</td> <td>± 0.012</td> </tr> <tr> <td>0 PLACE</td> <td>± 0.40</td> <td>± 0.016</td> </tr> </tbody> </table>		mm	INCH	4 PLACES	± 0.10	± 0.004	3 PLACES	± 0.15	± 0.005	2 PLACES	± 0.20	± 0.008	1 PLACE	± 0.30	± 0.012	0 PLACE	± 0.40	± 0.016	<table border="1"> <thead> <tr> <th>mm ONLY</th> <th>INCH</th> </tr> </thead> <tbody> <tr> <td>2:1</td> <td>2:1</td> </tr> </tbody> </table>	mm ONLY	INCH	2:1	2:1	METRIC	
		mm	INCH																								
	4 PLACES	± 0.10	± 0.004																								
3 PLACES	± 0.15	± 0.005																									
2 PLACES	± 0.20	± 0.008																									
1 PLACE	± 0.30	± 0.012																									
0 PLACE	± 0.40	± 0.016																									
mm ONLY	INCH																										
2:1	2:1																										
DRAWN BY: MDICK CHECKED BY: MDICK APPROVED BY:	DATE: 2011/07/22 DATE: 2011/12/19 DATE:	TITLE: MX150 2X3 BLADE SEALED ASSEMBLY MAT SEAL																									
<b>AA8</b>	MATERIAL NO: SEE BOM SIZE: D	DOCUMENT NO: SD-33482-061	SHEET NO: 7 OF 9																								

ASSEMBLY DESCRIPTION	ASSEMBLY PART NUMBER	A	B	C	D	C	D	GC	GCL	1	2	3	4	5	6	STATUS	COMMENTS	BACKSHELL WITH RIBS	BACKSHELL WITHOUT RIBS	
KEY D, STONE GRAY	33482-0643							D	GC				3	4		SALEABLE		34950-0610	34950-0620	
KEY C, DARK GRAY	33482-0642							C	GC				3	4		SALEABLE		34950-0610	34950-0620	
KEY D, STONE GRAY	33482-0641							D	GC				3			SALEABLE		34950-0610	34950-0620	
KEY A, BLACK	33482-0640	A							GC				3	4		SALEABLE		34950-0610	34950-0620	
KEY A W/ LENGTHENED CAP, BLACK	33482-0639	A							GCL	1	2	3	4	5	6	SALEABLE		34950-0610	34950-0620	
KEY C, DARK GRAY	33482-0638							C	GC				3			SALEABLE		34950-0610	34950-0620	
KEY A, BLACK	33482-0637	A							GC			2			6	SALEABLE		34950-0610	34950-0620	
KEY A W/ LENGTHENED CAP, BLACK	33482-0636	A							GCL				3			SALEABLE		34950-0610	34950-0620	
KEY C W/ LENGTHENED CAP, DARK GRAY	33482-0635							C	GC				3			SALEABLE		34950-0610	34950-0620	
KEY D W/ LENGTHENED CAP, STONE GRAY	33482-0634							D	GC							TOOLED BUT NOT VALIDATED		34950-0610	34950-0620	
KEY C W/ LENGTHENED CAP, DARK GRAY	33482-0633							C	GC							SALEABLE		34950-0610	34950-0620	
KEY B W/ LENGTHENED CAP, LIGHT GRAY	33482-0632								GCL							TOOLED BUT NOT VALIDATED		34950-0610	34950-0620	
KEY A W/ LENGTHENED CAP, BLACK	33482-0631	A							GCL							SALEABLE		34950-0610	34950-0620	
KEY A, BLACK	33482-0630	A							GC				3		6	SALEABLE		34950-0610	34950-0620	
KEY D, STONE GRAY	33482-0629							D	GC							TOOLED BUT NOT VALIDATED		34950-0610	34950-0620	
KEY C, DARK GRAY	33482-0628							C	GC							SALEABLE		34950-0610	34950-0620	
KEY A, BLACK	33482-0627	A							GC			2	3		5	6	SALEABLE		34950-0610	34950-0620
KEY A, BLACK	33482-0626	A							GC	1	2	3	4			SALEABLE		34950-0610	34950-0620	
KEY B, LIGHT GRAY	33482-0625							B	GC	1					5	TOOLED BUT NOT VALIDATED		34950-0610	34950-0620	
KEY A, BLACK	33482-0624	A							GC						6	SALEABLE		34950-0610	34950-0620	
KEY A, BLACK	33482-0623	A							GC					5		SALEABLE		34950-0610	34950-0620	
KEY A, BLACK	33482-0622	A							GC				4	5	6	SALEABLE		34950-0610	34950-0620	
KEY A, BLACK	33482-0621	A							GC	1			4	5		SALEABLE		34950-0610	34950-0620	
KEY A, BLACK	33482-0620	A							GC	1	2	3	4	5	6	SALEABLE		34950-0610	34950-0620	
KEY A, BLACK	33482-0619	A							GC		2	3	4	5		SALEABLE		34950-0610	34950-0620	
KEY A, BLACK	33482-0618	A							GC					5	6	SALEABLE		34950-0610	34950-0620	
KEY A, BLACK	33482-0617	A							GC		2					SALEABLE		34950-0610	34950-0620	
KEY A, BLACK	33482-0616	A							GC				3			SAME AS P/N 33482-0606		34950-0610	34950-0620	
VOID KEY	33482-0615																			
KEY D, GREEN	33482-0614							D	GC				3	4		NOT RECOMMENDED, SEE 33482-0643		34950-0610	34950-0620	
KEY C, BROWN	33482-0613							C	GC				3	4		NOT RECOMMENDED, SEE 33482-0642		34950-0610	34950-0620	
KEY B, LIGHT GRAY	33482-0612							B	GC				3	4		SALEABLE		34950-0610	34950-0620	
KEY A, BLACK	33482-0611	A							GC				3	4		SALEABLE		34950-0610	34950-0620	
VOID KEY	33482-0610																			
KEY D, GREEN	33482-0609							D	GC				3			NOT RECOMMENDED, SEE 33482-0641		34950-0610	34950-0620	
KEY C, BROWN	33482-0608							C	GC				3			NOT RECOMMENDED, SEE 33482-0638		34950-0610	34950-0620	
KEY B, LIGHT GRAY	33482-0607							B	GC				3			SALEABLE		34950-0610	34950-0620	
KEY A, BLACK	33482-0606	A							GC				3			SALEABLE		34950-0610	34950-0620	
VOID KEY	33482-0605																			
KEY D, GREEN	33482-0604							D	GC							NOT RECOMMENDED, SEE 33482-0629		34950-0610	34950-0620	
KEY C, BROWN	33482-0603							C	GC							NOT RECOMMENDED, SEE 33482-0628		34950-0610	34950-0620	
KEY B, LIGHT GRAY	33482-0602							B	GC							SALEABLE		34950-0610	34950-0620	
KEY A, BLACK	33482-0601	A							GC							SALEABLE		34950-0610	34950-0620	
		A	B	C	D	C	D	GC	GCL	1	2	3	4	5	6					

DESCRIPTION	COLOR	MATERIAL
STANDARD PLR	NATURAL	SPS/NYLON GF20
MAT SEAL	BURNT ORANGE	INHERENTLY LUBRICATED SILICONE
GROMMET CAP, LENGTHENED	BLACK	SPS/NYLON GF20
GROMMET CAP, STANDARD	BLACK	SPS/NYLON GF20
HOUSING KEYING OPTION D	STONE GRAY	SPS/NYLON GF20
HOUSING KEYING OPTION C	DARK GRAY	SPS/NYLON GF20
HOUSING KEYING OPTION D	GREEN	SPS/NYLON GF20
HOUSING KEYING OPTION C	BROWN	SPS/NYLON GF20
HOUSING KEYING OPTION B	LIGHT GRAY	SPS/NYLON GF20
HOUSING KEYING OPTION A	BLACK	SPS/NYLON GF20

ABREVIATION	COMPONENT
A	HOUSING KEY A
B	HOUSING KEY B
C	HOUSING KEY C
D	HOUSING KEY D
GC	GROMMET CAP, STANDARD
GCL	GROMMET CAP, LENGTHENED
M	MAT SEAL
P	PLR, STANDARD
BKS	BACKSHELL

REVISED ELEC NO. UAU2015-1383 DRAWN BY: 2015/03/18 CHKD: APPR: VKOSHY 2015/03/26 REVISION DESCRIPTION AAB	QUALITY SYMBOLS ∇=0 ∇=0 ∇=0	GENERAL TOLERANCES (UNLESS SPECIFIED) <table border="1"> <tr><th></th><th>mm</th><th>INCH</th></tr> <tr><td>4 PLACES</td><td>±.010</td><td>±.0004</td></tr> <tr><td>3 PLACES</td><td>±.015</td><td>±.0006</td></tr> <tr><td>2 PLACES</td><td>±.030</td><td>±.0012</td></tr> <tr><td>1 PLACE</td><td>±.075</td><td>±.0030</td></tr> <tr><td>0 PLACE</td><td>±.150</td><td>±.0060</td></tr> </table>		mm	INCH	4 PLACES	±.010	±.0004	3 PLACES	±.015	±.0006	2 PLACES	±.030	±.0012	1 PLACE	±.075	±.0030	0 PLACE	±.150	±.0060	DIMENSION STYLE MM ONLY SCALE DESIGN UNITS METRIC THIRD ANGLE PROJECTION	DRAWN BY: DATE MDICK 2011/07/22 CHECKED BY: DATE MDICK 2011/12/19 APPROVED BY: DATE	TITLE MX150 2X3 BLADE SEALED ASSEMBLY MAT SEAL molex MATERIAL NO. SEE BOM DOCUMENT NO. SD-33482-061 SHEET NO. 8 OF 9
		mm	INCH																				
4 PLACES	±.010	±.0004																					
3 PLACES	±.015	±.0006																					
2 PLACES	±.030	±.0012																					
1 PLACE	±.075	±.0030																					
0 PLACE	±.150	±.0060																					
DRAFT WHERE APPLICABLE MUST REMAIN WITHIN DIMENSIONS		THIS DRAWING CONTAINS INFORMATION THAT IS PROPRIETARY TO MOLEX INCORPORATED AND SHOULD NOT BE USED WITHOUT WRITTEN PERMISSION																					

ASSEMBLY DESCRIPTION	ASSEMBLY PART NUMBER	A	B	C	D	C	D	A	GC	GCL	1	2	3	4	5	6	STATUS	COMMENTS	BACKSHELL WITH RIBS	BACKSHELL WITHOUT RIBS
KEY A, BLACK	33482-0651	A							GC			2		4		6	SALEABLE		34950-0610	34950-0620
KEY A, BLACK	33482-0650	A							GC		1		3		5		SALEABLE		34950-0610	34950-0620
KEY A, BLACK	33482-0649	A							GC					4		6	SALEABLE		34950-0610	34950-0620
KEY C, DARK GRAY	33482-0648			C					GC							6	SALEABLE		34950-0610	34950-0620
KEY B, LIGHT GRAY	33482-0647		B						GC			2	3				SALEABLE		34950-0610	34950-0620
KEY A, BLACK	33482-0646	A							GC			2	3				SALEABLE		34950-0610	34950-0620
KEY A, BLACK	33482-0645	A							GC				3	4	5	6	SALEABLE		34950-0610	34950-0620
KEY A, YELLOW	33482-0644							A	GC								SALEABLE		34950-0610	34950-0620
		A	B	C	D	C	D	A	GC	GCL	1	2	3	4	5	6			BACKSHELL WITH RIBS	BACKSHELL WITHOUT RIBS
											BLOCKED TERMINAL									
											CAVITY WITH A NUMBER INDICATES BLOCKED TERMINAL POSITION									
											CAVITY WITHOUT A NUMBER INDICATES OPEN TERMINAL POSITION									
																			OPTIONAL ATTACHMENTS SOLD SEPARATELY	

STANDARD PLR	NATURAL	SPS/NYLON GF20
MAT SEAL	BURNT ORANGE	INHERENTLY LUBRICATED SILICONE
GROMMET CAP, LENGTHENED	BLACK	SPS/NYLON GF20
GROMMET CAP, STANDARD	BLACK	SPS/NYLON GF20
HOUSING KEYING OPTION A	YELLOW	SPS/NYLON GF20
HOUSING KEYING OPTION D	STONE GRAY	SPS/NYLON GF20
HOUSING KEYING OPTION C	DARK GRAY	SPS/NYLON GF20
HOUSING KEYING OPTION D	GREEN	SPS/NYLON GF20
HOUSING KEYING OPTION C	BROWN	SPS/NYLON GF20
HOUSING KEYING OPTION B	LIGHT GRAY	SPS/NYLON GF20
HOUSING KEYING OPTION A	BLACK	SPS/NYLON GF20
DESCRIPTION	COLOR	MATERIAL

**BOM/APPLICABLE COMPONENTS TABLE**

<b>ENTER DESCRIPTION</b> EC NO. UAU2015-1383 DRAWN BY 2015/03/18 CHKD: APPR:VKDSHY 2015/03/26 REV:	QUALITY SYMBOLS	GENERAL TOLERANCES (UNLESS SPECIFIED)	DIMENSION STYLE	SCALE	DESIGN UNITS	THIRD ANGLE PROJECTION
	$\nabla=0$ $\nabla=0$ $\nabla=0$	mm    INCH 4 PLACES ± --- ± --- 3 PLACES ± --- ± --- 2 PLACES ± 0.10 ± --- 1 PLACE ± 0.3 ± --- 0 PLACE ± ±	MM ONLY	2:1	METRIC	
	DRAWN BY DATE MDICK 2011/07/22 CHECKED BY DATE MDICK 2011/12/19 APPROVED BY DATE	ANGULAR ± 3 ° DRAFT WHERE APPLICABLE MUST REMAIN WITHIN DIMENSIONS	MATERIAL NO. <b>SEE BOM</b>	DOCUMENT NO. SD-33482-061	SHEET NO. 9 OF 9	
	TITLE <b>MX150 2X3 BLADE SEALED ASSEMBLY MAT SEAL</b> 					