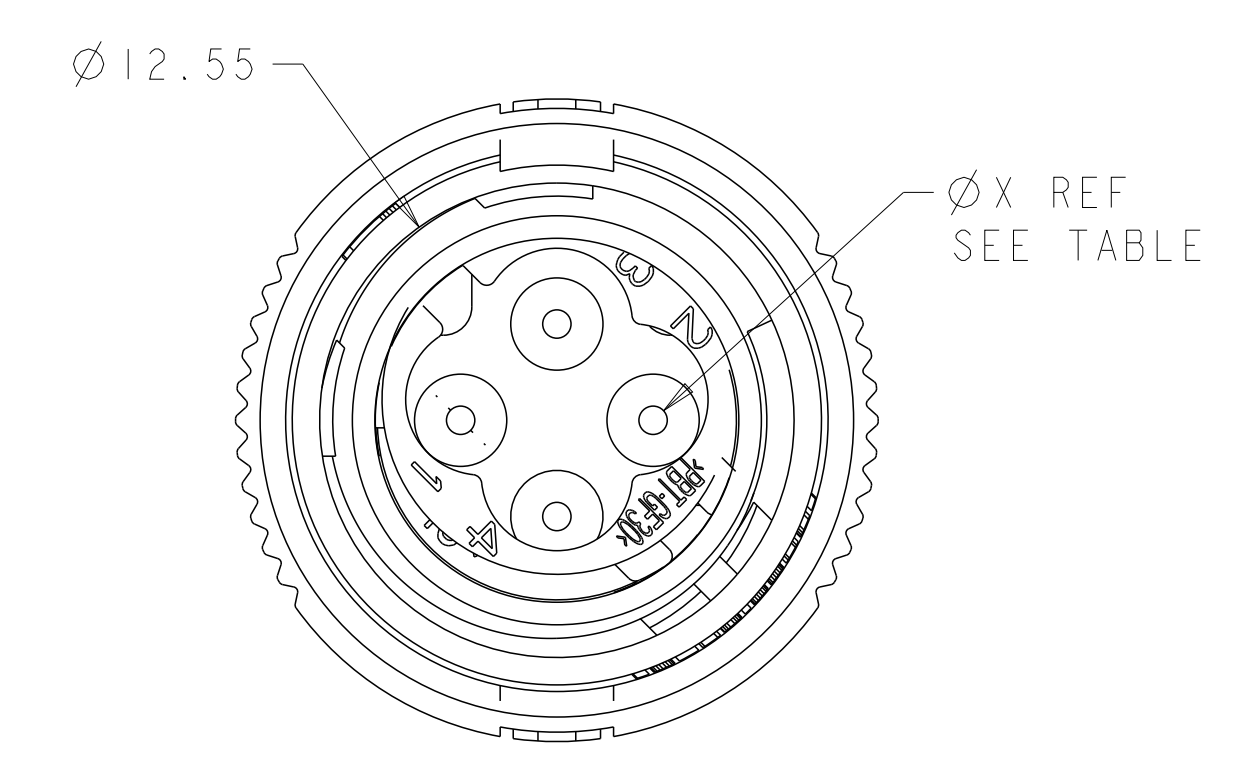
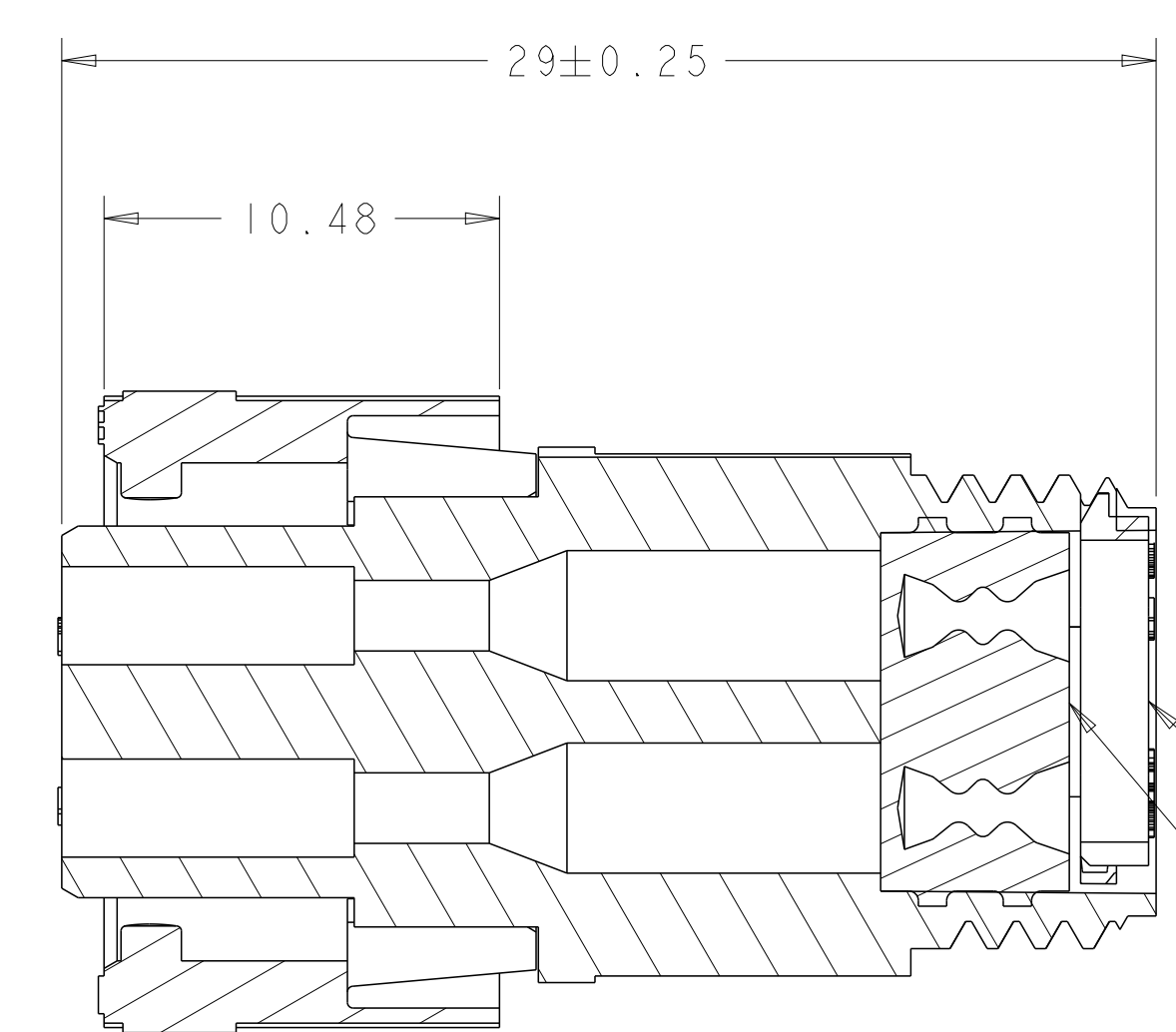
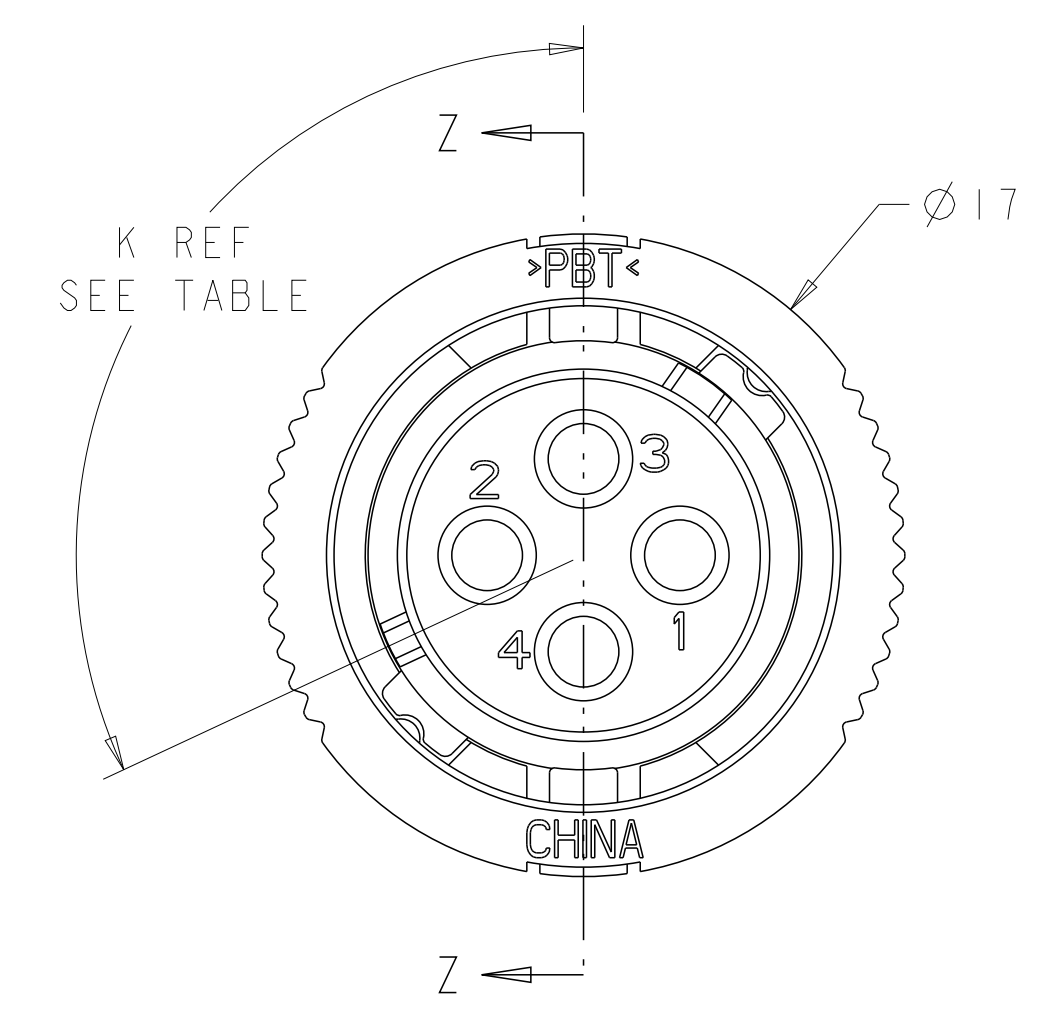
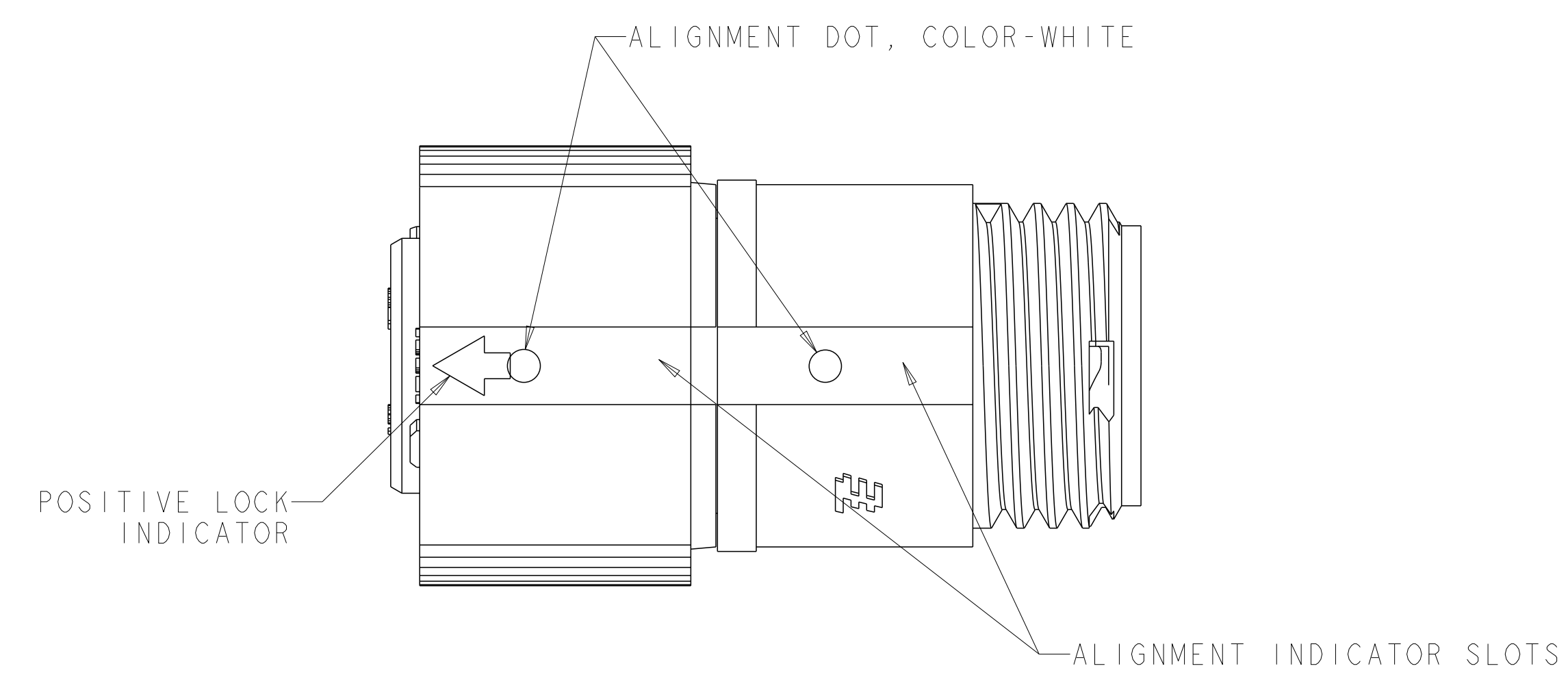
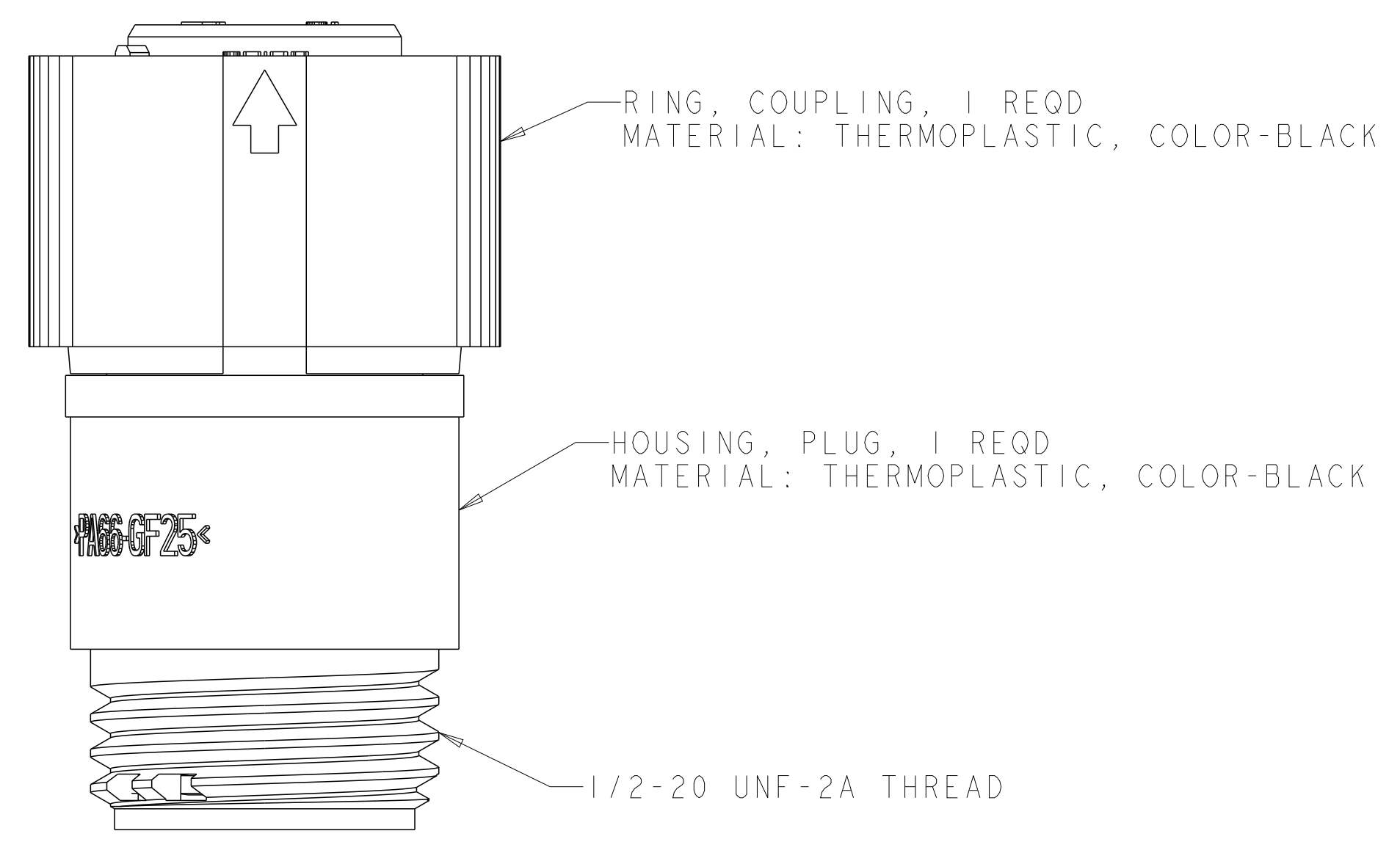


LOC		DIST		REVISONS			
P	LTN	DESCRIPTION	DATE	DWN	APVD		
	B3	REVISED PER ECO-15-010004	13JUL2015	NK	MZ		



RETAINER, SEAL, 1 REQD
 MATERIAL: THERMOPLASTIC, COLOR-BLACK

SEAL, WIRE ENTRY, 1 REQD
 MATERIAL: ELASTOMER, COLOR-SEE TABLE



YELLOW	Ø0.75	130°	1445390-04
NATURAL	Ø1.5	115°	1445390-03
NATURAL	Ø1.5	130°	1445390-02
YELLOW	Ø0.75	115°	1445390-01
SEAL, WIRE ENTRY COLOR	ØX REF	K REF	PART NUMBER

THIS DRAWING IS A CONTROLLED DOCUMENT.

DIMENSIONS: mm

TOLERANCES UNLESS OTHERWISE SPECIFIED:

0 PLC	±
1 PLC	±0.13
2 PLC	±
3 PLC	±
4 PLC	±
ANGLES	±
FINISH	±

MATERIAL: SEE CALLOUT

FINISH: SEE CALLOUT

WEIGHT: -

CUSTOMER DRAWING

SCALE: 5:1

SHEET 1 OF 1

REV B3

DATE: 01MAR2001

CHK: G. DOUTY

DATE: 12JUN2003

CHK: H. WAKEEM

DATE: 12JUN2003

APVD: H. WAKEEM

DATE: 12JUN2003

NAME: ASSEMBLY, PLUG, SIZE 8 4 POSITION, SEALED, MINI CPC

PRODUCT SPEC: -

APPLICATION SPEC: -

SIZE: A1

CAGE CODE: 00779

DRAWING NO: 1445390

RESTRICTED TO: -

TE Connectivity