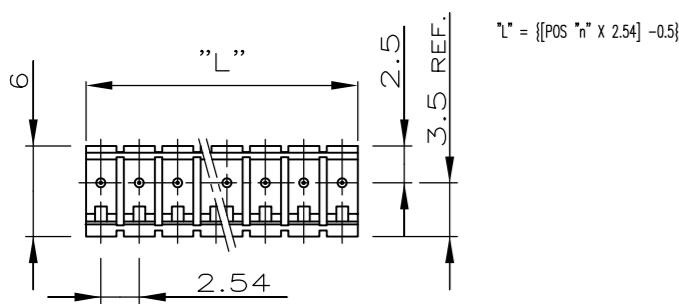


THIS DRAWING IS UNPUBLISHED. RELEASED FOR PUBLICATION
 © COPYRIGHT - By - ALL RIGHTS RESERVED.

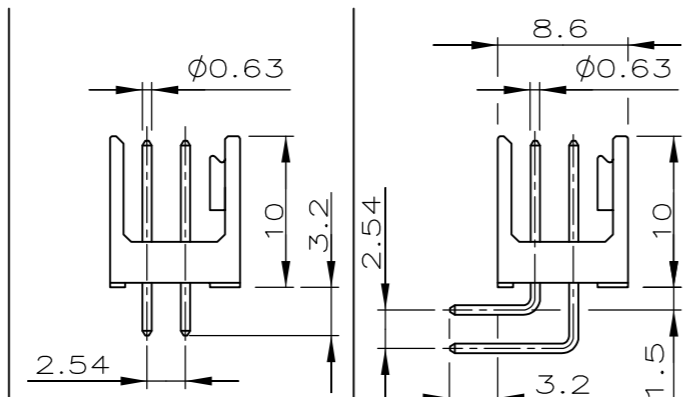
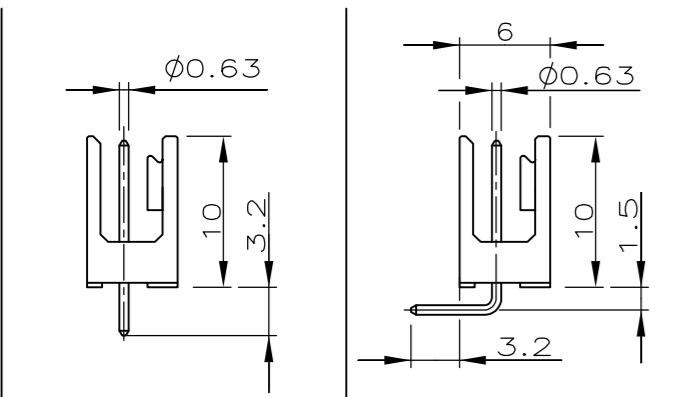
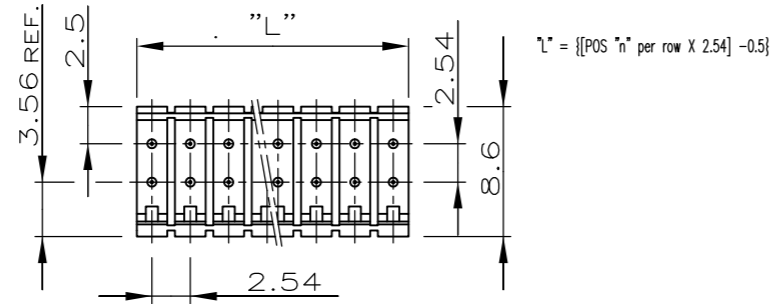
MODU II SHROUDED POSTS

MODU II Stiftleiste

SINGLE ROW 3 TO 50 POS.
Einreihig 3 bis 50 pol.



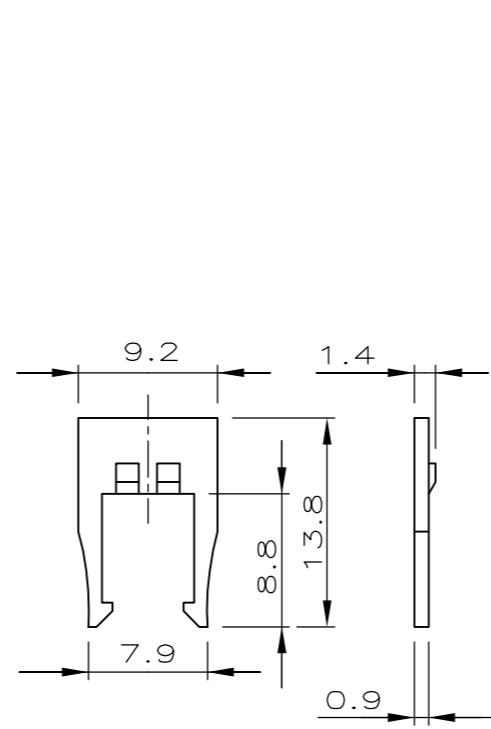
DOUBLE ROW 2x3 TO 2x50 POS.
Zweireihig 2x3 bis 2x50 pol.



POS.	PART NUMBERS	PART NUMBERS	POS.	PART NUMBERS	PART NUMBERS
3 (2) TO 50	△ 826 467-3 BIS	△ 826 468-3 BIS	2x3 TO 2x50	△ 826 469-3 BIS	△ 826 470-2 BIS
	5-826 467-0 △	5-826 468-0		5-826 469-0	5-826 470-0
	△ 827 295-2 BIS	△ 827 296-3 BIS		△ 827 297-3 BIS	△ 827 298-3 BIS
	5-827 295-0 △	5-827 296-0 △		5-827 297-0 △	5-827 298-0 △

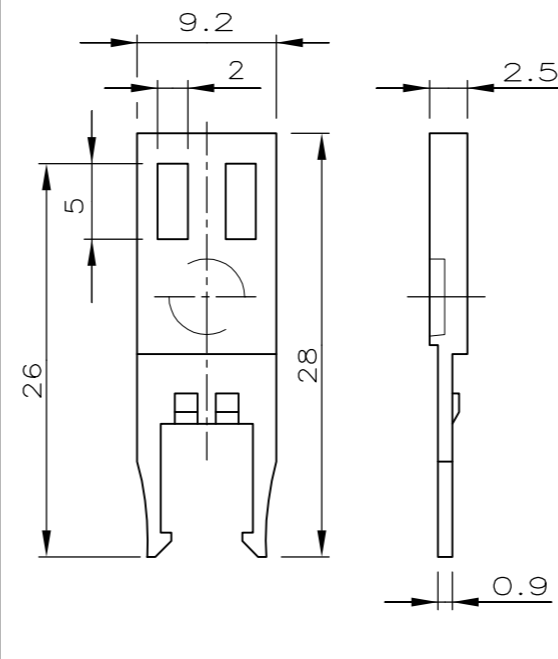
RETENTION PLUG

Rastgabel



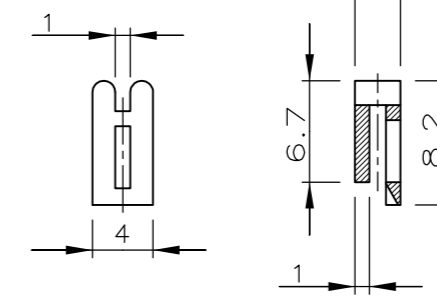
RETENTION PLUG WITH STRAIN RELIEF

Rastgabel mit Zugentlastung



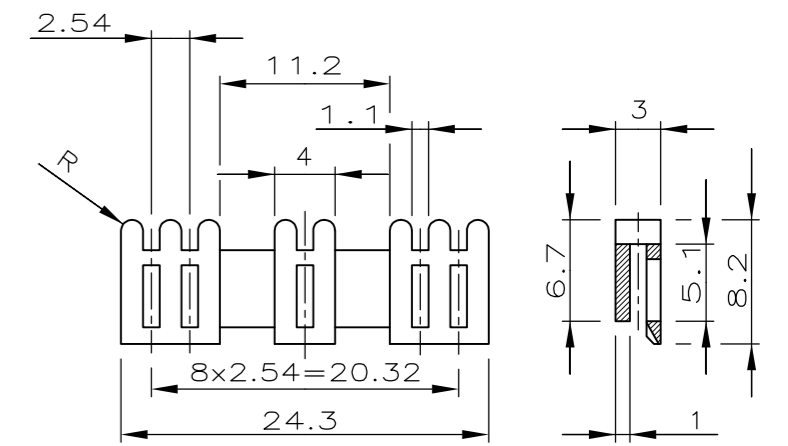
KEYING PLUG

Kodierstift



KEYING BLOCK

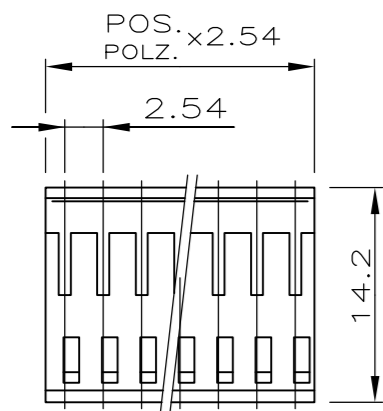
Kodierblock



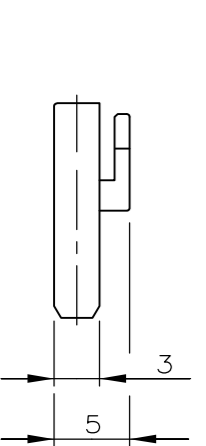
PART NUMBERS	COLOUR	PART NUMBERS	COLOUR	PART NUMBERS	COLOUR	PART NUMBERS	COLOUR
926 477-1	BLACK	926 478-1	BLACK	926 498-1	BLACK	927 607-1 △	BLACK
926 477-2	GREEN	926 478-2 △	GREEN	926 498-2	GREEN	927 607-2 △	GREEN
926 477-3	RED	926 478-3	RED	926 498-3	RED	927 607-3 △	RED

MODU IV RECEPTACLE HOUSING

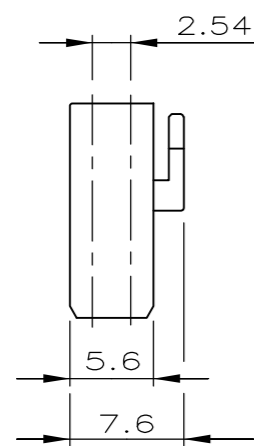
MODU IV Buchsengehäuse



SINGLE ROW 2 TO 36 POS.
Einreihig 2 bis 36 polig.



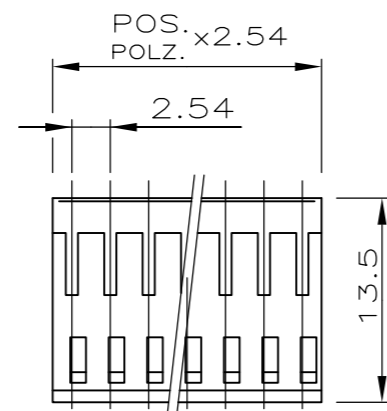
DOUBLE ROW 2x2 TO 2x36 POS.
Zweireihig 2x2 bis 2x36 polig



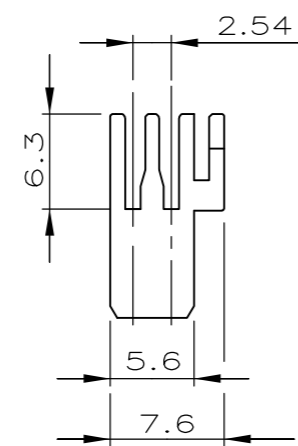
POS.	PART NUMBERS	POS.	PART NUMBERS
2 TO 36	926 475-2 3-926 475-6	2x2 TO 2x36	926 476-2 3-926 476-6

FFC HOUSING

FFC Gehäuse



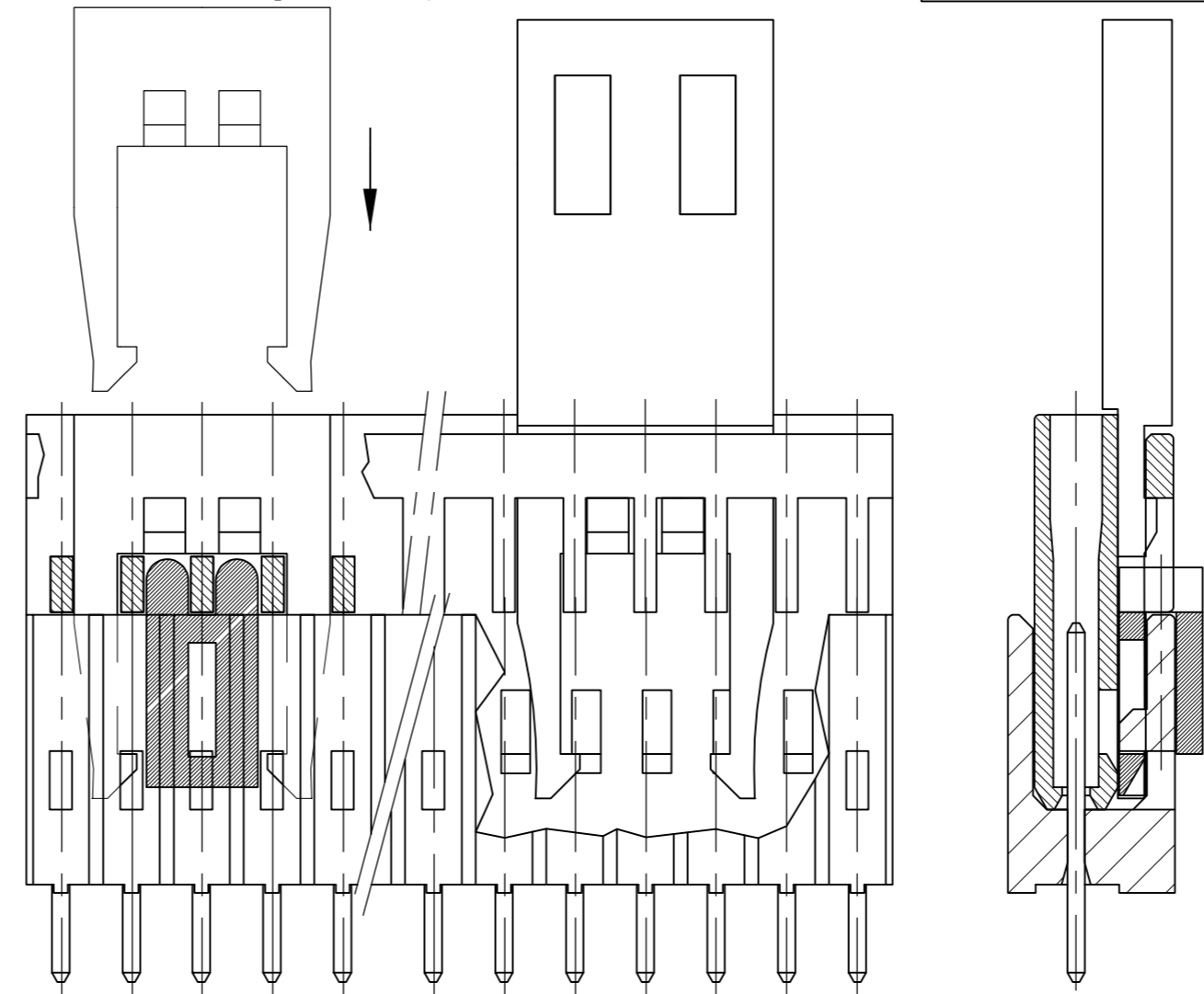
DOUBLE ROW 2x3 TO 2x13 POS.
Zweireihig 2x3 bis 2x13 polig



POS.	PART NUMBERS
2x3 TO 2x13	927 009-3 △ 1-927 009-3 △

ASSEMBLED COMPONENTS (FOR EXAMPLE)

Anwendungsbeispiel



△ CONTACT PIN/Kontaktstift: CuZn
 PLATING MATING AREA:
 MIN. 0.7µm PdNi + 0.1µm GOLD FLASH OVER 1.27µm Ni
 SOLDER SIDE: MIN 3.0µm Sn OVER 1.27µm Ni

△ CONTACT PIN/Kontaktstift: CuSn
 PRE TIN PLATED MIN. 2.0µm Sn OVER 1.27µm Ni (PIN TIPS BLANK)
 Vorverzinnt min. 2.0µm Sn über 1.27µm Ni (Stiftspitzen blank)

MATERIAL:
 PIN HEADER
 Stiftgehäuse PCT-GV BLACK/schwarz

RECEPTACLE HOUSING PBT-GV BLACK/schwarz
 Buchsengehäuse

RETENTION PLUGS PC-GV
 Rastgabeln

KEYING PLUG AND BLOCK PA 6.6 GV
 Kodierstift, -block

FFC HOUSING PBT-GV BLACK/schwarz
 FFC Gehäuse

△ OBSOLETE PARTS

△ OBSOLETE PARTS: OBSOLETE CIS STREAMLINING PER D.RENAUD/D.SINISI

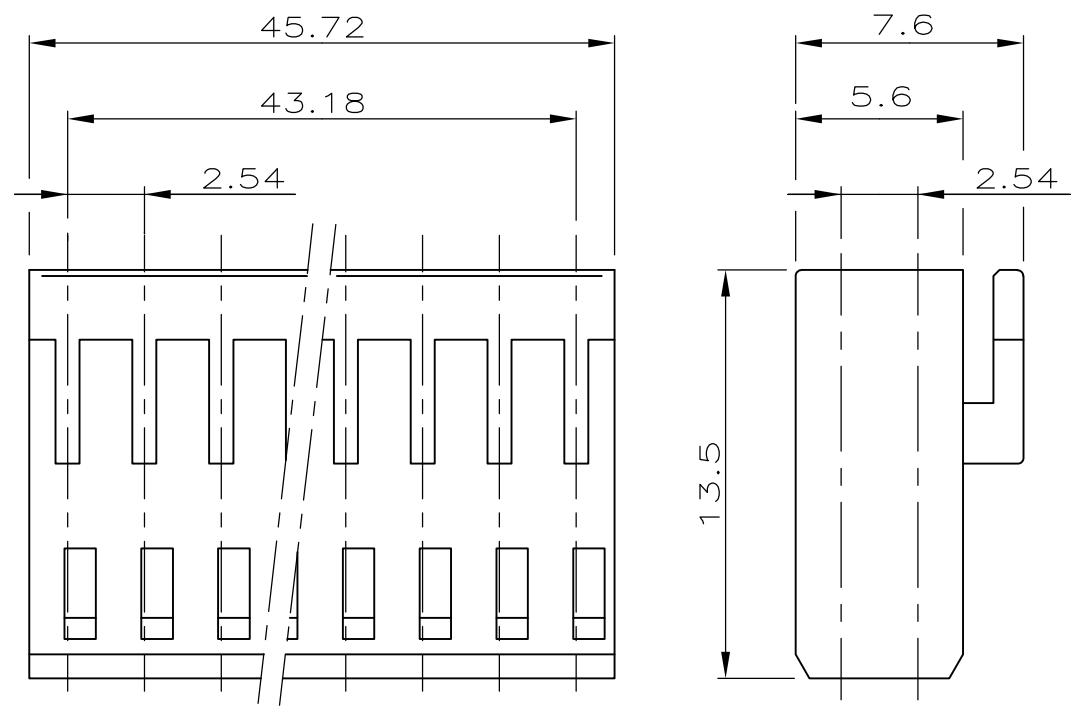
THIS DRAWING IS A CONTROLLED DOCUMENT.

DWN	08.03.85	A.HO
CHK	02.05.85	M.SCHAARSCHMIDT
APVD	-	-
PRODUCT SPEC	-	-
APPLICATION SPEC	-	-
WEIGHT	-	-
CUSTOMER DRAWING	SCALE 2:1	SHEET 1 of 2

TE Connectivity
 AMPMODU II / AMPMODU IV
 SIZE A2 CAGE CODE 00779 DRAWING NO. 826467
 RESTRICTED TO Y

THIS DRAWING IS UNPUBLISHED. RELEASED FOR PUBLICATION
 © COPYRIGHT - By - ALL RIGHTS RESERVED.

LOC	DIST	REVISIONS			
P	LTR	DESCRIPTION	DATE	DWN	APVD
	-	SEE SHEET 1	-	-	-


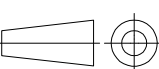


PN 6-926476-8
 2x18 POS. AMPMODU IV RECEPTACLE HOUSING
 2x18 POL. AMPMODU IV BUCHSENGEHÄUSE

PACKAGING
 Verpackung

PART NUMBER 5-826467-3 INCLUDING 75 PCS. OF PN 826467-3
 PACKED IN PLASTIC BOX (78mm x 78mm x 45mm)
 FOR TE-HARRISBURG ONLY

Bestell- Nummer 5-826467-3 enthält 75 Stk. PN 826467-3
 verpackt in Kunststoffschachtel (78mm x 78mm x 45mm)
 nur für TE-Harrisburg

THIS DRAWING IS A CONTROLLED DOCUMENT.		DWN M.SCHAARSCHMIDT 27.09.85	 TE Connectivity			
DIMENSIONS: mm		CHK W.MORITZ 30.09.85				NAME AMPMODU II/AMPMODU IV
		APVD -	PRODUCT SPEC -			
TOLERANCES UNLESS OTHERWISE SPECIFIED: ±0.2mm 0 PLC ± - 1 PLC ± - 2 PLC ± - 3 PLC ± - 4 PLC ± - ANGLES ± -		APPLICATION SPEC -	SIZE A3	CAGE CODE 00779	DRAWING NO C-826467	RESTRICTED TO -
MATERIAL -		FINISH -	WEIGHT -	CUSTOMER DRAWING		
			SCALE 4:1	SHEET 2 OF 2	REV Y	