

THIS DRAWING IS UNPUBLISHED.

RELEASED FOR PUBLICATION

2011

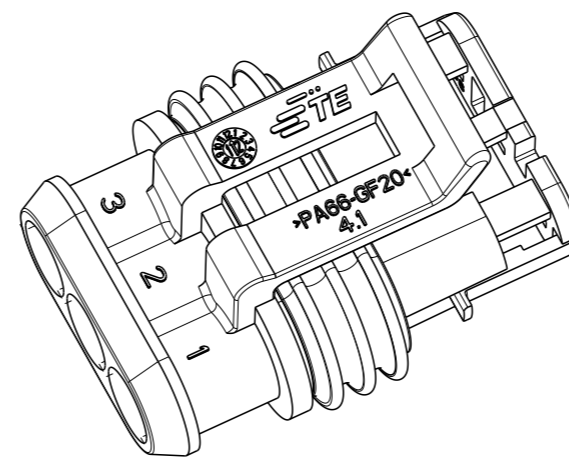
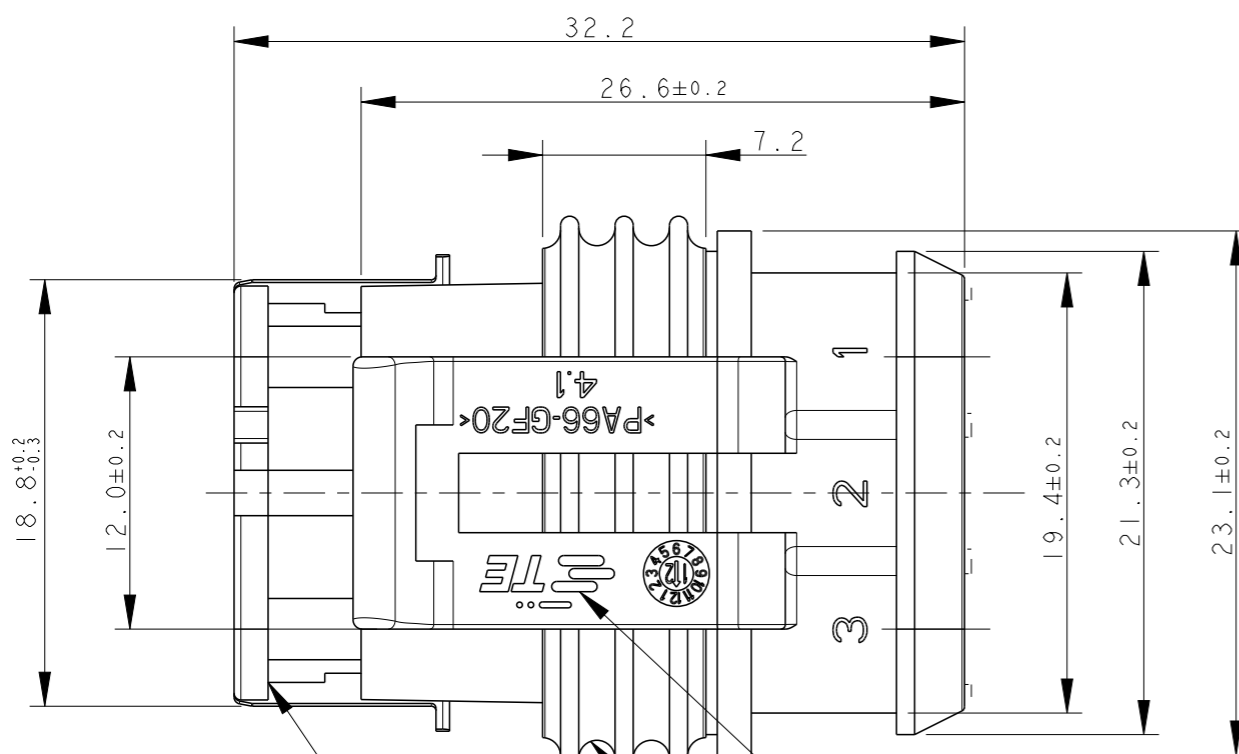
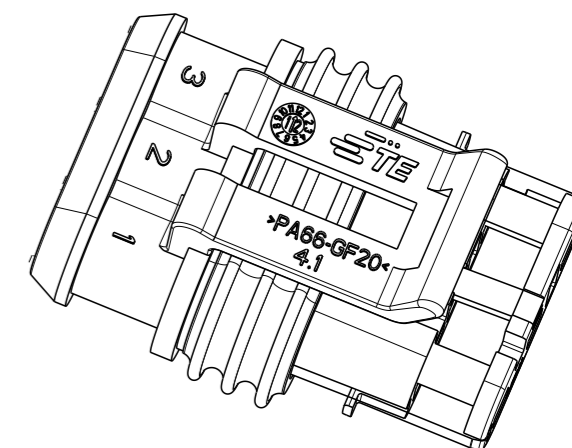
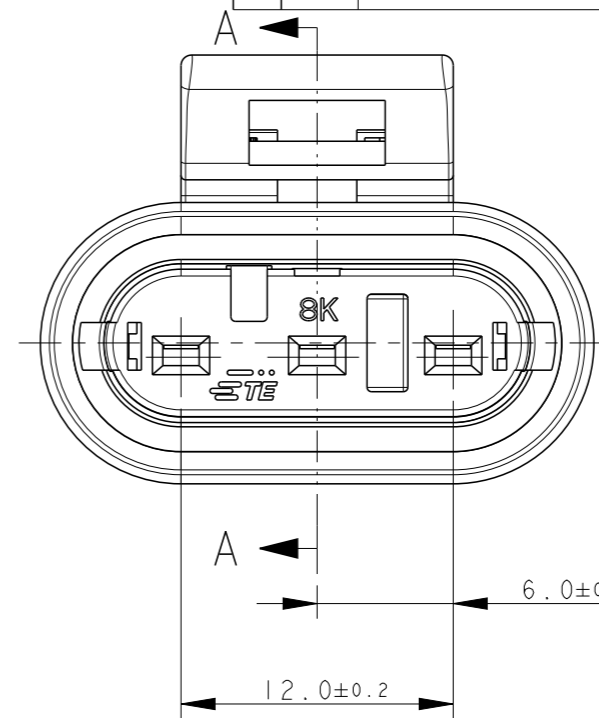
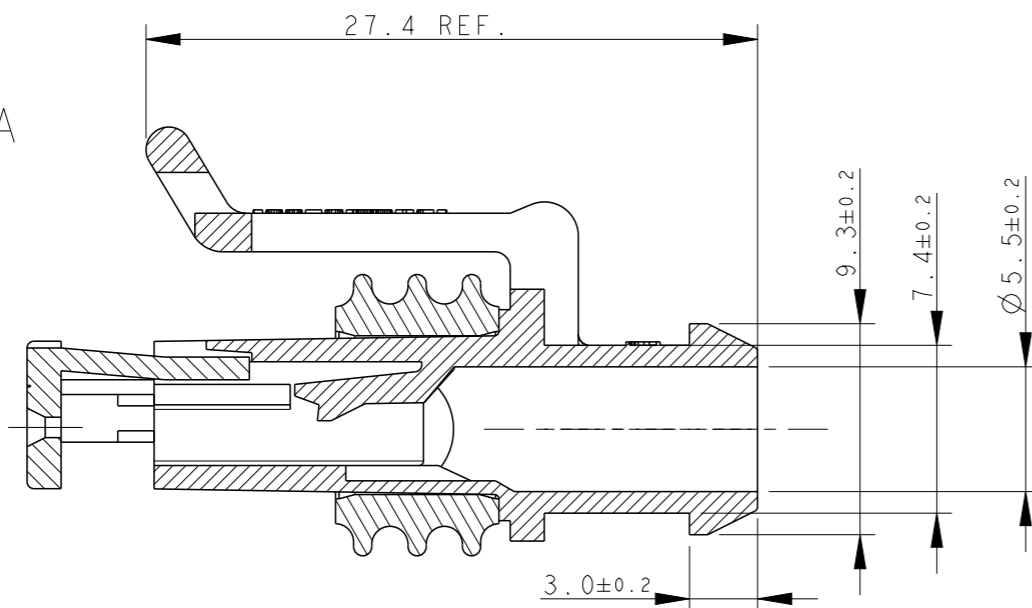
© COPYRIGHT 2011

ALL RIGHTS RESERVED.

REVISIONS

P	LTR	DESCRIPTION	DATE	DWN	APVD
B4		REVISED PER ECO-11-005033	02APR2011	RK	HMR
B5		REVISED BY ECR-11-024280	13DEC2011	M.F.	M.G.
C		ECR-14-009314	24MAR2015	M.P.	M.G.
C1		REVISED (ECR-15-014031)	25SEP2015	M.G.	M.G.

SECTION A-A



1) FOR COUNTERPART DETAILS, SEE SHEET 2 OF 2

FINISH/COLOR	MATERIAL	PART NUMBER
GRAY	HOUSING+SEC.LOCK: PA 66-GF SEALING: LSR	282087-2
BLACK		282087-1

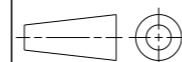
TE CONNECTIVITY TRADE MARK (IN ALTERNATIVE: "AMP" LOGO OR "Tyco Electronics" LOGO)

SEALING (COLOUR YELLOW)

PRE-ASSEMBLED SECONDARY LOCK (COLOUR RED)

THIS DRAWING IS A CONTROLLED DOCUMENT.

DIMENSIONS: mm



MATERIAL

SEE TABLE

TOLERANCES UNLESS OTHERWISE SPECIFIED:

0 PLC ±
1 PLC ±0.3
2 PLC ±
3 PLC ±
4 PLC ±
ANGLES ±2°

FINISH

SEE TABLE

DWN 07-1990

C. BERTINI

CHK 07-1990

A. BRUNI

APVD -

PRODUCT SPEC

108-20090

APPLICATION SPEC

412-20000

WEIGHT

3.65gr

NAME

-

AMP SUPERSEAL 1.5 SRS.

3 POSITIONS PLUG ASS'Y

SIZE CAGE CODE DRAWING NO RESTRICTED TO

A300779 C-282087 -

Customer Drawing

SCALE

-

SHEET

1

OF

2

REV

C1

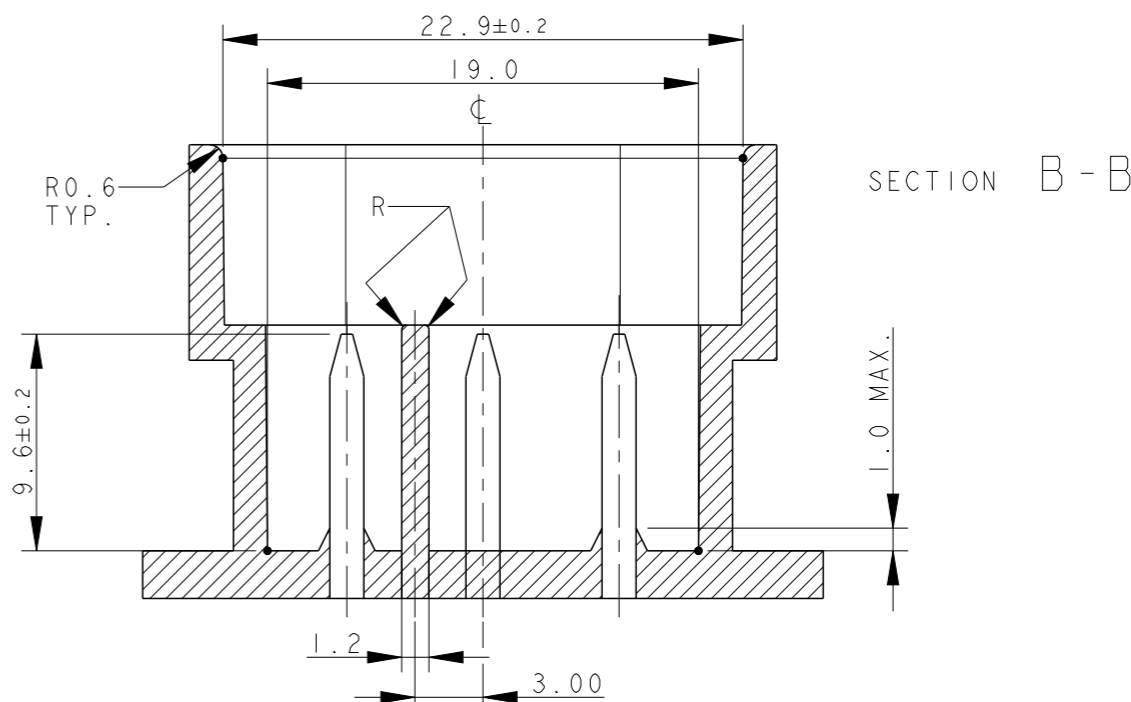
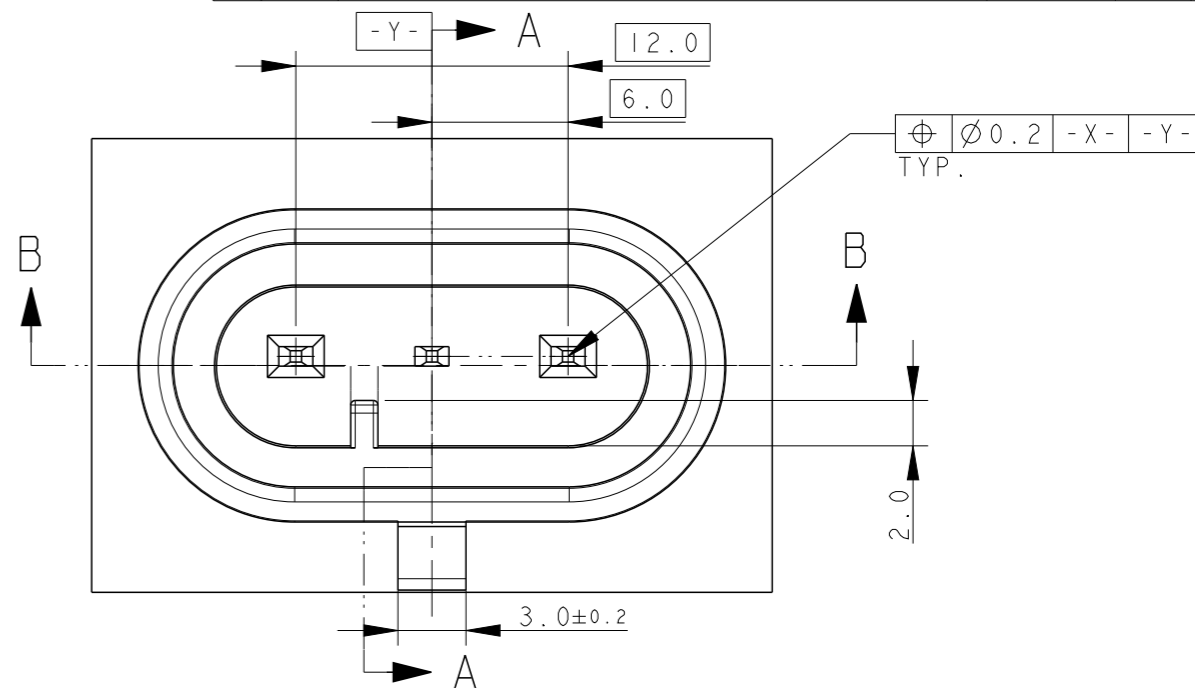
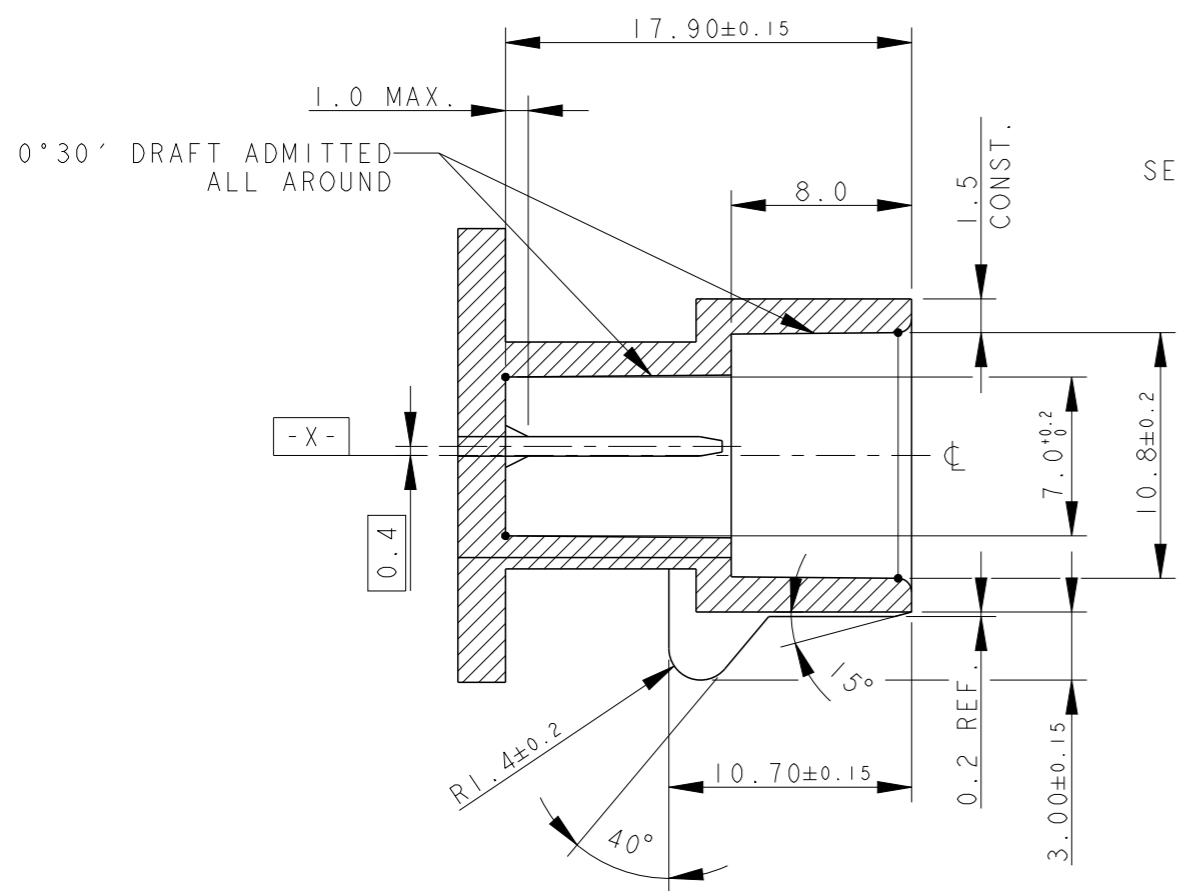


TE Connectivity

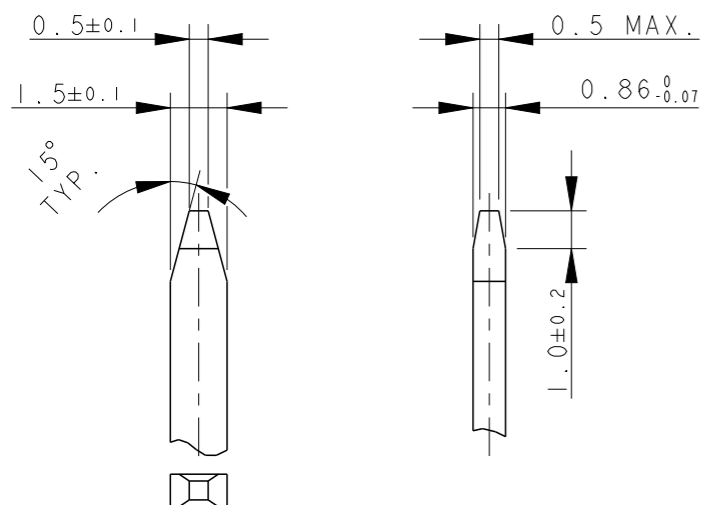
REVISIONS

P	LTR	DESCRIPTION	DATE	DWN	APVD
-	-	SEE SHEET 1	-	-	-

COUNTERPART DETAILS



TAB DETAILS



MATERIALS: PA66-GF FOR HOUSING
TIN PLATED BRASS FOR TABS

THIS DRAWING IS A CONTROLLED DOCUMENT.

DWN C. BERTINI 07-1990

CHK A. BRUNI 07-1990

APVD -

NAME -



DIMENSIONS: mm

TOLERANCES UNLESS OTHERWISE SPECIFIED:

- 0 PLC ±0.3
- 1 PLC ±0.1
- 2 PLC ±0.05
- 3 PLC ±
- 4 PLC ±
- ANGLES ±2°



PRODUCT SPEC 108-20090

APPLICATION SPEC 412-20000

WEIGHT 3.65gr

AMP SUPERSEAL 1.5 SRS. 3 POSITIONS PLUG ASS'Y

SIZE CAGE CODE DRAWING NO RESTRICTED TO

A300779 C-282087

Customer Drawing SCALE - SHEET 2 OF 2 REV C1