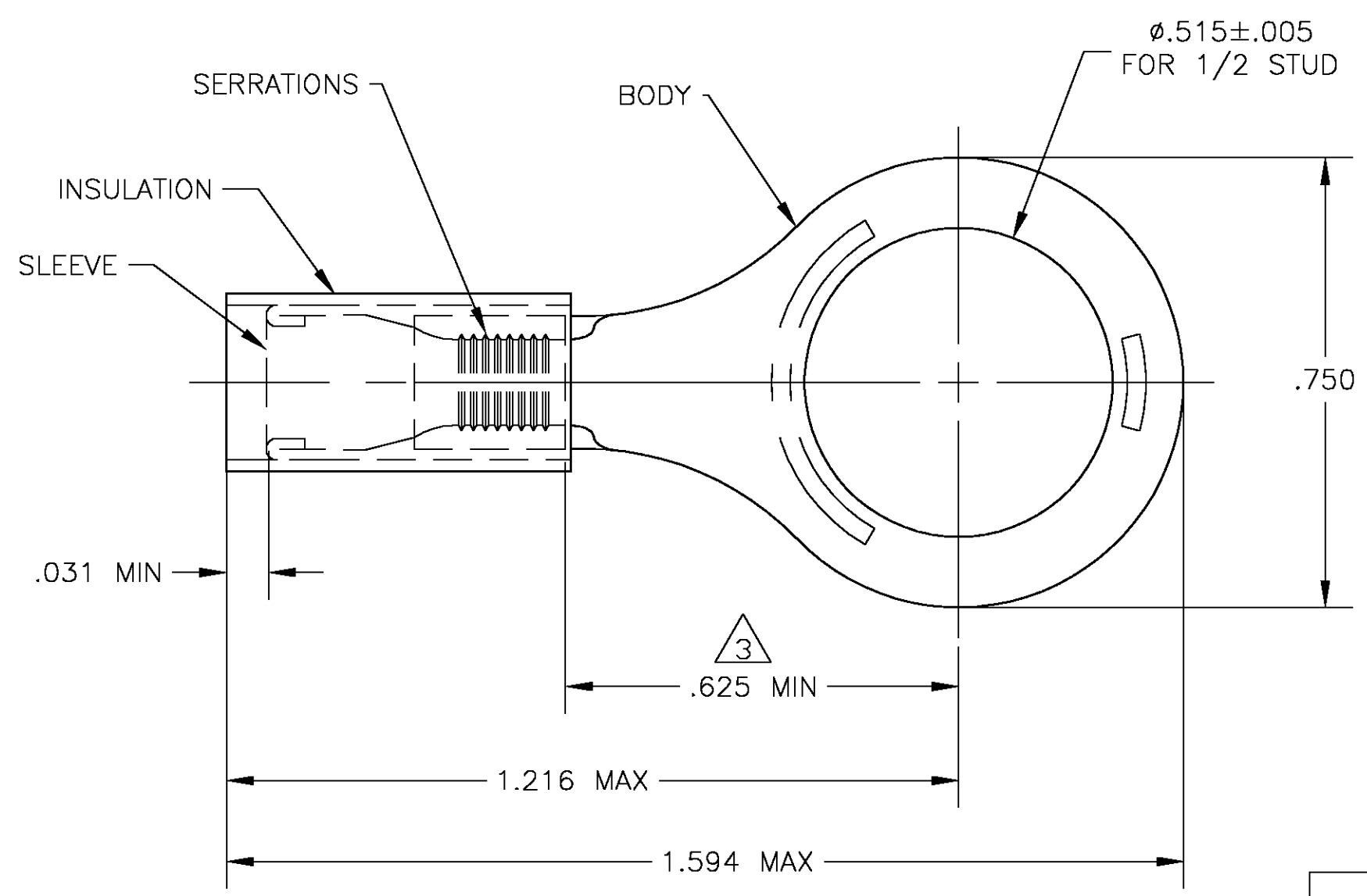


THIS DRAWING IS UNPUBLISHED. RELEASED FOR PUBLICATION
 © COPYRIGHT BY TYCO ELECTRONICS CORPORATION. ALL RIGHTS RESERVED.

LOC	DIST	REVISIONS			
P	LTR	DESCRIPTION	DATE	DWN	APVD
G	14				
	D	REDRAWN PER 0G3A-0680-04	27AUG04	JR	TM



- FOR .150 TO .230 WIRE INSULATION DIA.
- TONGUE MATERIAL THK IS $.040 \pm .002$
- $\triangle 3$ DIMENSION BETWEEN EDGE OF METAL WIRE BBL AND CENTER OF STUD HOLE.

1	BODY & SLEEVE: COPPER B-152 TIN PLATE PER ASTM B545 INSULATION: NYLON (MIL-M-20693) TYPE I COLOR: YELLOW	323784
QTY	MATERIAL & FINISH	PART NO

THIS DRAWING IS A CONTROLLED DOCUMENT.		DWN jr_ruth 27AUG04	Tyco Electronics Corporation Harrisburg, PA 17105													
DIMENSIONS: INCHES		CHK T MICHELUTTI 27AUG04	NAME													
TOLERANCES UNLESS OTHERWISE SPECIFIED:		APVD T MICHELUTTI 27AUG04	WIRE TERMINAL P.I.D.G., RING TONGUE, WIRE SIZE: 12-10													
<table border="1"> <tr><td>0 PLC</td><td>± -</td></tr> <tr><td>1 PLC</td><td>± -</td></tr> <tr><td>2 PLC</td><td>± -</td></tr> <tr><td>3 PLC</td><td>± .008</td></tr> <tr><td>4 PLC</td><td>± -</td></tr> <tr><td>ANGLES</td><td>± 5'</td></tr> </table>		0 PLC	± -	1 PLC	± -	2 PLC	± -	3 PLC	± .008	4 PLC	± -	ANGLES	± 5'	PRODUCT SPEC	SIZE CAGE CODE DRAWING NO RESTRICTED TO	
0 PLC	± -															
1 PLC	± -															
2 PLC	± -															
3 PLC	± .008															
4 PLC	± -															
ANGLES	± 5'															
MATERIAL		APPLICATION SPEC	A3 00779 C-323784													
FINISH		WEIGHT	CUSTOMER DRAWING													
		SCALE	SHEET	REV												
		4:1	1 OF 1	D												