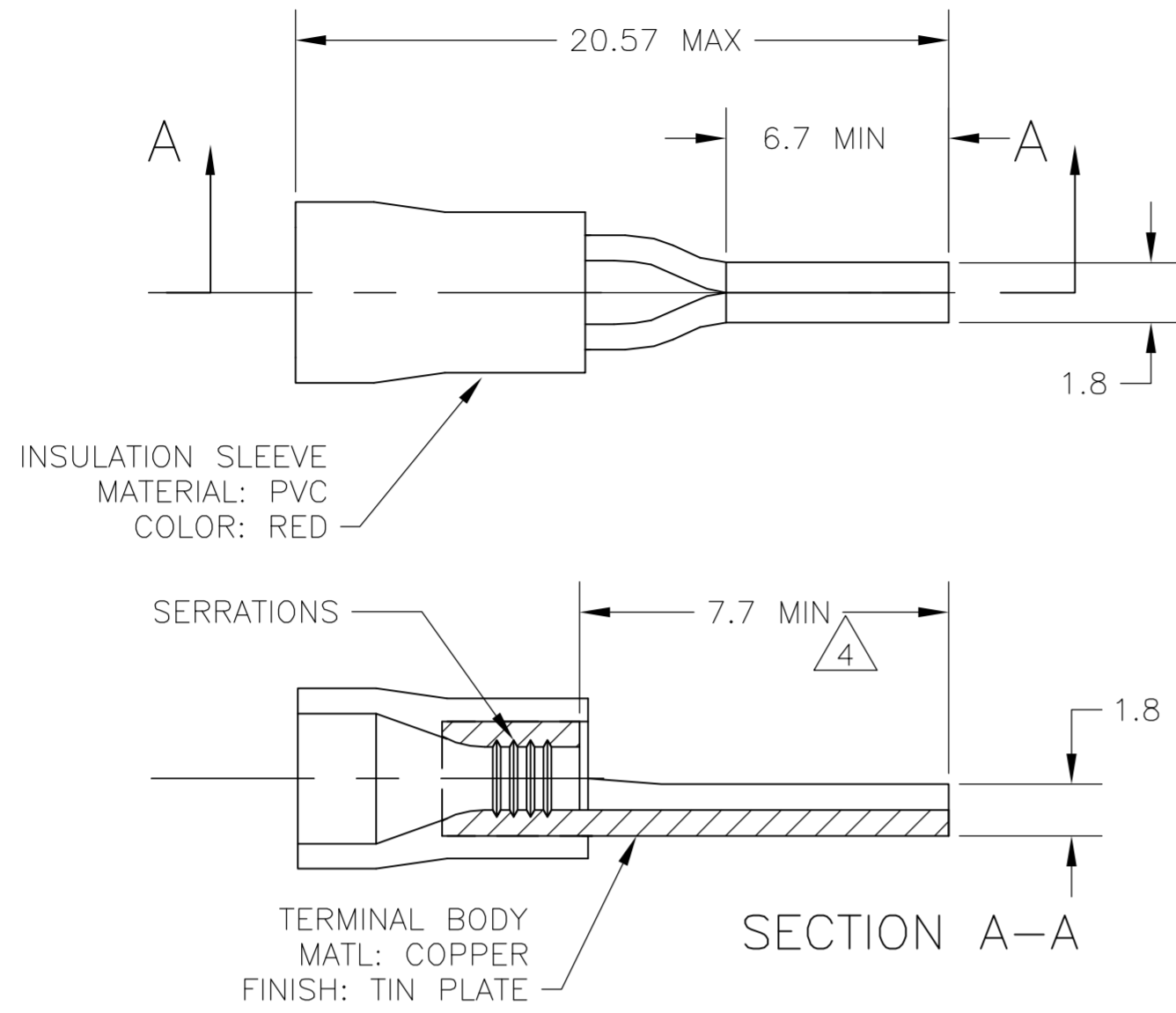


THIS DRAWING IS UNPUBLISHED. RELEASED FOR PUBLICATION
 © COPYRIGHT BY TYCO ELECTRONICS CORPORATION. ALL RIGHTS RESERVED.

LOC	DIST	REVISIONS			
P	LTR	DESCRIPTION	DATE	DWN	APVD
G	02	G1	REV PER ECR-06-001930	13FEB06	HMR TM



- 1 WIRE SIZE IS #22-#16 AWG
- 2 WIRE INSULATION DIA: 2.7 - 3.6
- 3 MATERIAL THICKNESS IS 0.8
- 4 DIMENSION APPLIES FROM EDGE OF METAL WIRE BARREL TO END OF PIN
- 5 SUPERSEDED BY 342126-1

POLY BAG WITH HEADER	STANDARD	100	5 7-342126-1
PLASTIC BOX	STANDARD	100	5 6-342126-1
PLASTIC BAG	STANDARD	1000	342126-1
PACKAGING	LABELLING	QTY RED	PART NO

DIMENSIONS:		TOLERANCES UNLESS OTHERWISE SPECIFIED:		APVD		NAME		RESTRICTED TO	
INCHES		0 PLC	± -	DWN jr ruth 07AUG03		Tyco Electronics Corporation		-	
		1 PLC	± 0.5	CHK T MICHIELUTTI 07AUG03		Harrisburg, PA 17105		-	
		2 PLC	± -	APVD T MICHIELUTTI 07AUG03		PRODUCT SPEC		-	
		3 PLC	± -	APPLICATION SPEC		-		-	
		4 PLC	± -	WEIGHT -		SIZE A2		CAGE CODE 00779	
		ANGLES	± 1°	CUSTOMER DRAWING		DRAWING NO C-342126		REV G1	
		FINISH	-	SCALE 5:1		SHEET 1 OF 1			