

THIS DRAWING IS UNPUBLISHED.

RELEASED FOR PUBLICATION

© COPYRIGHT - By -

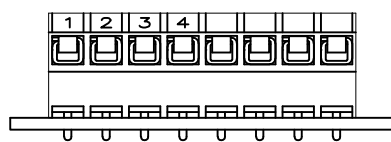
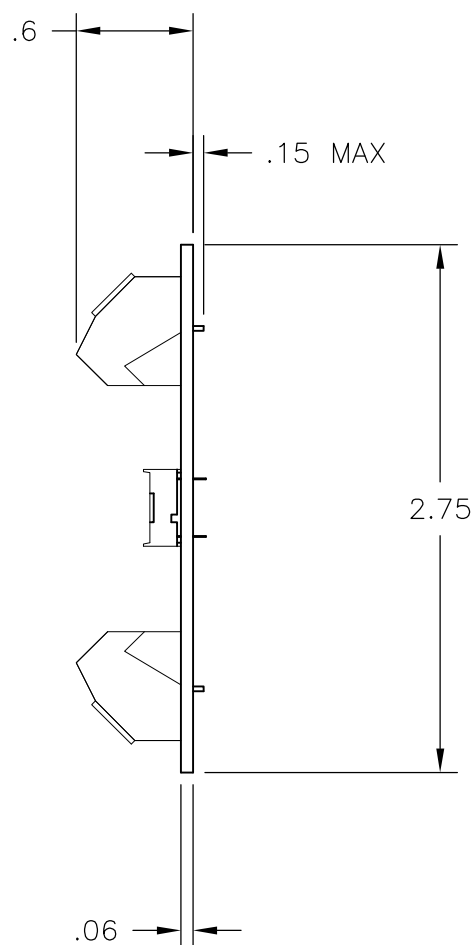
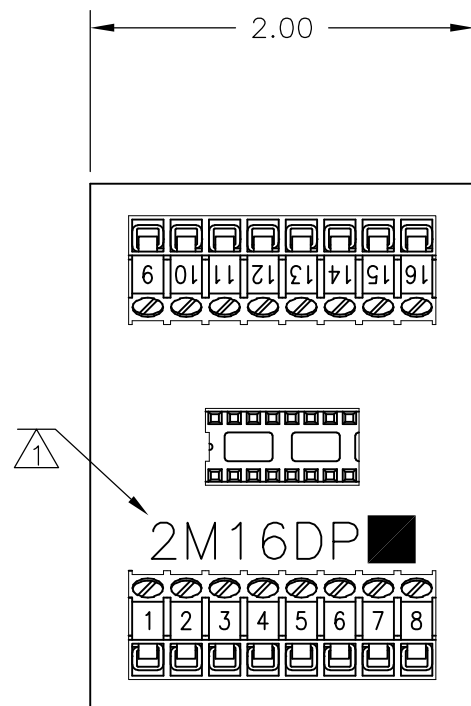
ALL RIGHTS RESERVED.

LOC
FT

DIST
0

REVISIONS

P	LTR	DESCRIPTION	DATE	DWN	APVD
A1		TERMINAL BLOCK COMPONENT VIEW CORRECTED	08SEP2015	TJ	NG



DIP SOCKET:

MATERIALS:

HOUSING: THERMOPLASTIC POLYESTER, 94V-0.
CONTACTS: COPPER ALLOY, GOLD OVER NICKEL.

TERMINAL BLOCK:

MATERIALS:

HOUSING: THERMOPLASTIC NYLON, BLACK, 94V-0.
TERMINALS: COPPER ALLOY, TIN PLATED.
SCREWS: 3M, BRASS, NICKEL PLATED

ELECTRICAL:

RATING: 10A, 300V(UL).

MECHANICAL:

WIRE RANGE: 14-22 AWG.

MOUNTING:


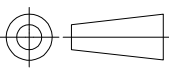
MATERIALS:

MOUNTING: 2TK2 AND 2TK2D SERIES SNAPLOCK,
(SOLD SEPARATELY).

1 CATALOG NUMBER MARKED HERE.

2 CONTAINS NO TIN-LEAD PLATING.

2	2M16DPL	1776600-1
	2M16DP	1437684-8
	CATALOG NO.	PART NUMBER

THIS DRAWING IS A CONTROLLED DOCUMENT.		DWN	M.S. FEHER	31MAR2004	 TE Connectivity					
DIMENSIONS: INCHES		CHK	S YODER	31MAR2004				NAME 2M16DP ASSEMBLY		
TOLERANCES UNLESS OTHERWISE SPECIFIED:		APVD	S YODER	31MAR2004						
		PRODUCT SPEC	-	-				SCALE NTS SHEET 1 OF 1 REV A1		
MATERIAL		APPLICATION SPEC	-	-	CUSTOMER DRAWING					
FINISH		WEIGHT	-	-						