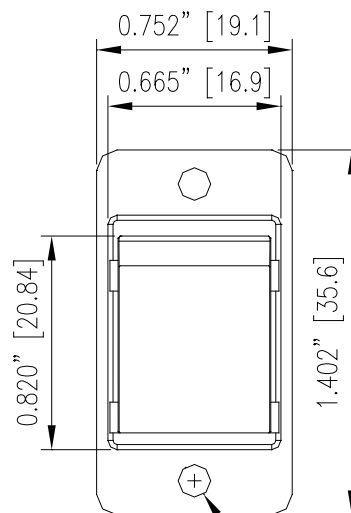
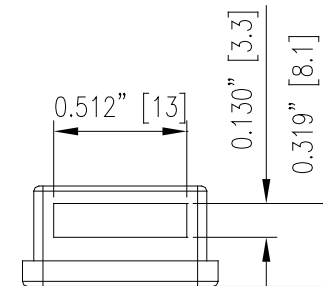
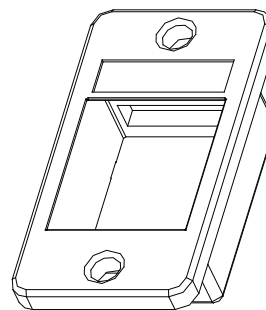
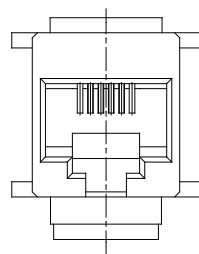
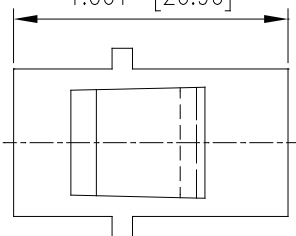


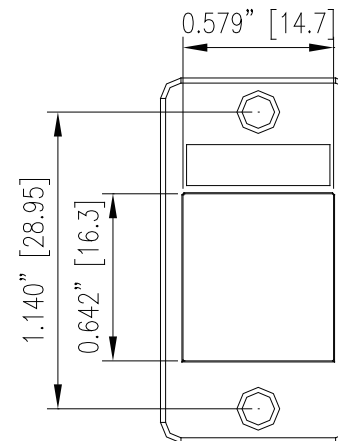
0.320" [8.12] 0.061" [1.55]

0.635" [16.13]

1.061" [26.96]



$\phi 0.125$ " [3.18]



MATERIAL
Bezel: Zinc alloy, plated with nickel

Coupler
Housing: High-impact engineering thermoplastic, UL 94 V-0 rated
Jack Contacts: Phosphor bronze, $\phi=0.35$ mm (0.014 in), plated with hard gold over nickel underplate o contact area
RoHS compliant

DRAWN BY Autumn Lee					Another quality product from BLACK BOX 724-746-9300 • www.blackbox.com				
APPROVED BY Jerry Su					TITLE Panel Mount Modular Coupler Un-Shielded, RJ11 (4 Wire) - Black				
DIMENSIONS ARE [IN (MM)]					PARTS NO. FMT1080				
TOLERANCES:					REV. 1				
~0.8"	~2"	~6"	6"~	ANGLE	DATE 2011.04.27		SCALE X		SHEET 1/1
± 0.007 "	± 0.015 "	± 0.02 "	± 0.06 "	2°	DATE		SCALE		SHEET
3rd Angle Projection									