

REPLACES	
----------	--

RELEASE NO. SR-10017

CATALOG LISTING  
**1DM3**

**M**

ISSUE  
**9**

REVISIONS  
A CO-  
A 172328  
DHD  
13 JUL 92

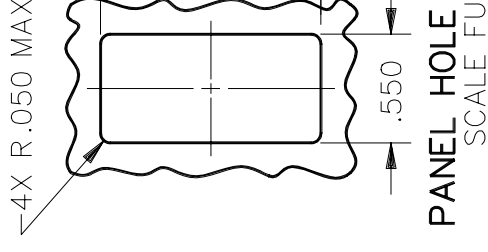
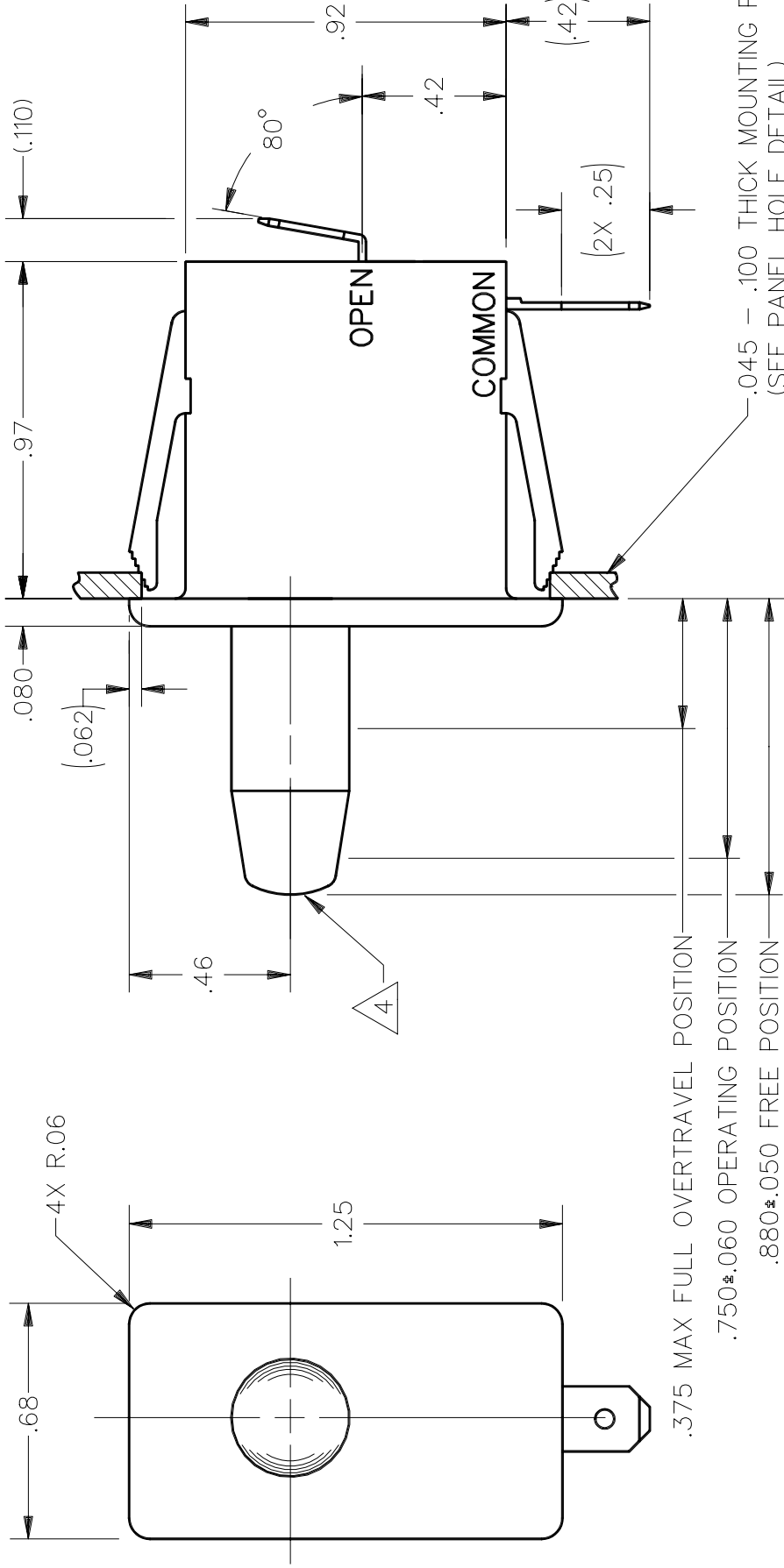
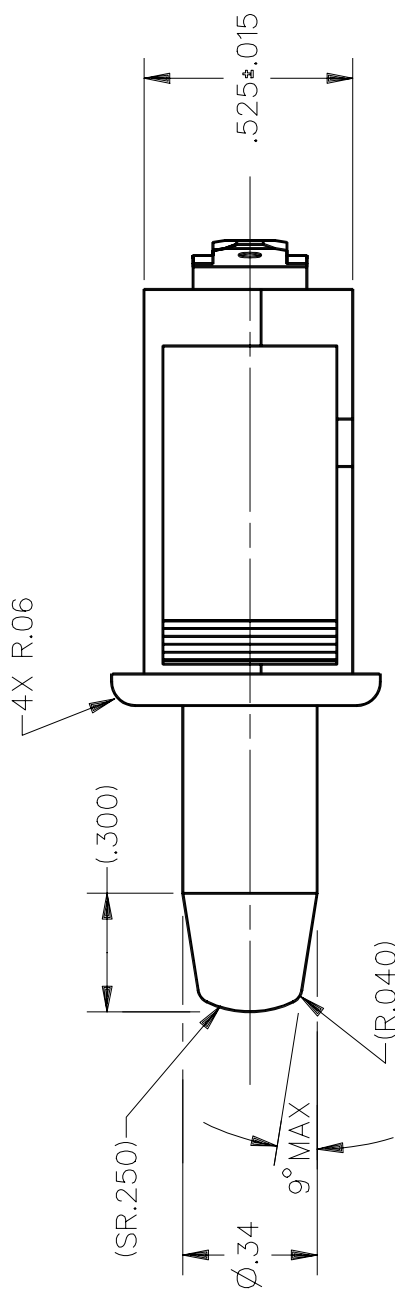
CHECK

CHECK

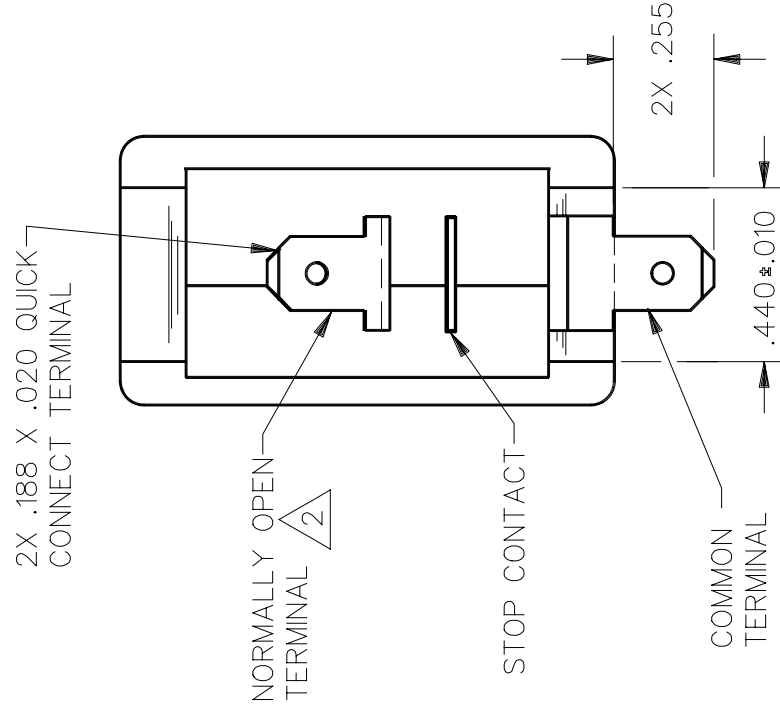
CHECK

CHECK

DMD/CAD  
DRAWN  
DHD  
13 JUL 92



PANEL HOLE DETAIL  
SCALE FULL



THIS DRAWING COVERS A PROPRIETARY ITEM AND IS THE PROPERTY OF MICRO SWITCH. A DIVISION OF HONEYWELL. THIS DRAWING IS NOT TO BE COPIED OR USED WITHOUT THE APPROVAL OF MICRO SWITCH		THIRD ANGLE PROJECTION
SCALE 2 TO 1		DO NOT SCALE PRINT
<b>UNLESS OTHERWISE SPECIFIED TOLERANCES ARE</b>		
ONE PLACE	(.0)	±.030
TWO PLACE	(.00)	±.015
THREE PLACE	(.000)	±.005
ANGLES		± 5°
WEIGHT		

<b>CHARACTERISTICS</b>	
OPERATING FORCE	--- 15 OZ MAX
RELEASE FORCE	--- 3 OZ MIN
DIFFERENTIAL TRAVEL	--- .045 APPROX
OVERTRAVEL	--- .375 MIN
PLUNGER FORCE AT .375 OVERTRAVEL	21 OZ MAX

<b>ELECTRICAL DATA</b>	
CONTACT ARRANGEMENT S P N O	
L181	10A 1/2HP 125, 250 OR 277 VAC

- NOTES
- 1 - WHITE PLASTIC CASE AND PLUNGER
  - 2 - FLAG STYLE QUICK CONNECT RECEPTACLE REQUIRED FOR NORMALLY OPEN TERMINAL IF SWITCH IS WIRED BEFORE MOUNTING
  - 3 - NOMINAL CUTOUT DIMENSION FOR PANELS BETWEEN .045 AND .100 SHOULD BE INTERPOLATED BETWEEN 1.115 AND 1.125
  - 4 - PUSH TO OPERATE - MOMENTARY

