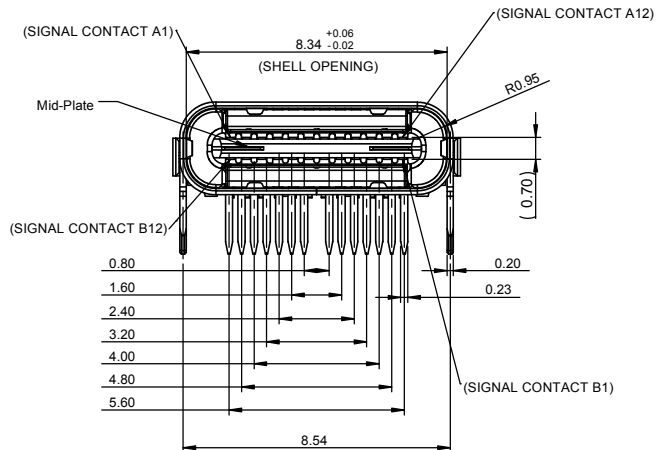
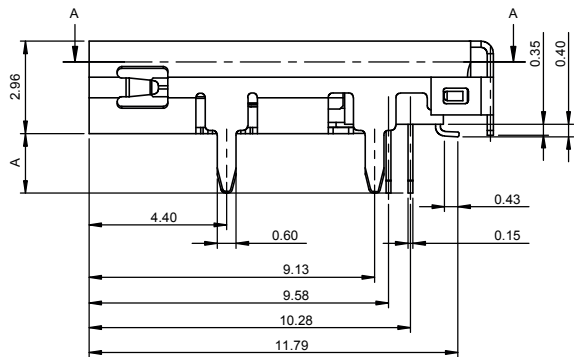


1 2 3 4 5



TECHNICAL CHARACTERISTICS

**MATERIAL**  
 INSULATOR: LCP  
 FLAMMABILITY RATING: UL94-V0  
 COLOR: BLACK  
 CONTACT MATERIAL: BRASS  
 CONTACT PLATING: GOLD OVERPd-Ni  
 CONTACT AREA: 30µ" Pd-Ni+2µ" Gold  
 QUALITY CLASS: 10 000 MATING CYCLES

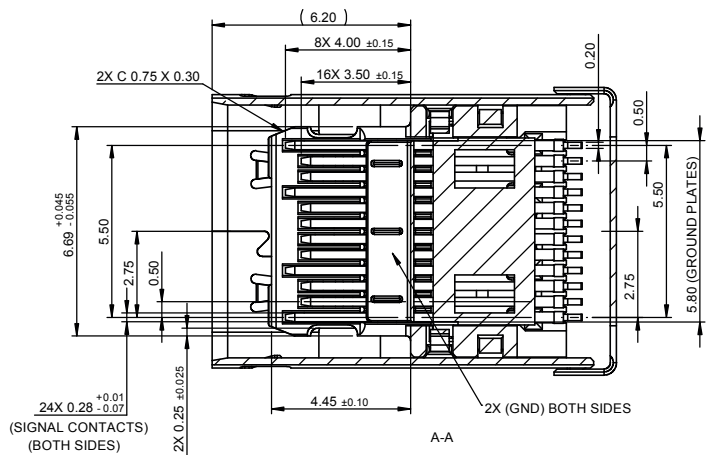
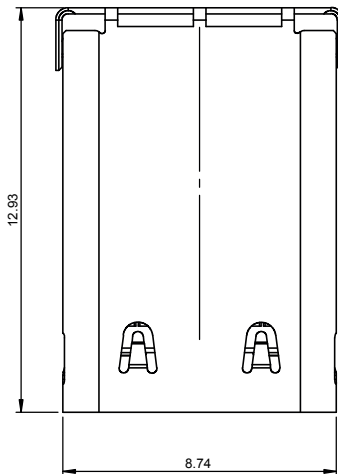
**ENVIRONMENTAL**  
 OPERATING TEMPERATURE: -25°C UP TO +105°C  
 COMPLIANCE: LEAD FREE & ROHS

**ELECTRICAL**  
 CURRENT RATING: 3A MAX  
 WORKING VOLTAGE: 5 VDC  
 WITHSTANDING VOLTAGE: 100 VAC/MIN  
 INSULATION RESISTANCE: > 1000 MΩ  
 CONTACT RESISTANCE: 30 mΩ MAX

**MECHANICAL**  
 INSERTION FORCE: 5-8 N MAX  
 EXTRACTION FORCE: 8-20 N MIN

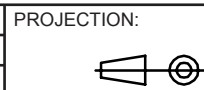
**SOLDERING**  
 JEDEC LEAD FREE WAVE AND REFLOW SOLDERING PROCESS

**PACKAGING**  
 TAPE & REEL



X	PCB THICKNESS	A
1	1,00 MM	1,50 MM
3	1,60 MM	1,90 MM

RoHS Compliant			
G			
F			
E			
D			
C			
B			
A	15-SEP-15	PDF	AK
REV	DATE	FILE	BY



GENERAL TOLERANCE  
 .X = +/- 0.2  
 .XX = +/- 0.15



APPROVAL: NPr

UNIT: MM  
 SCALE:  
 SHEET: 1/4  
 DRAW: AK

DESCRIPTION: USB 3.1 TYPE C RECEPTACLE - HORIZONTAL THT/SMT  
 WERI PART NO: 632 723 x00 021

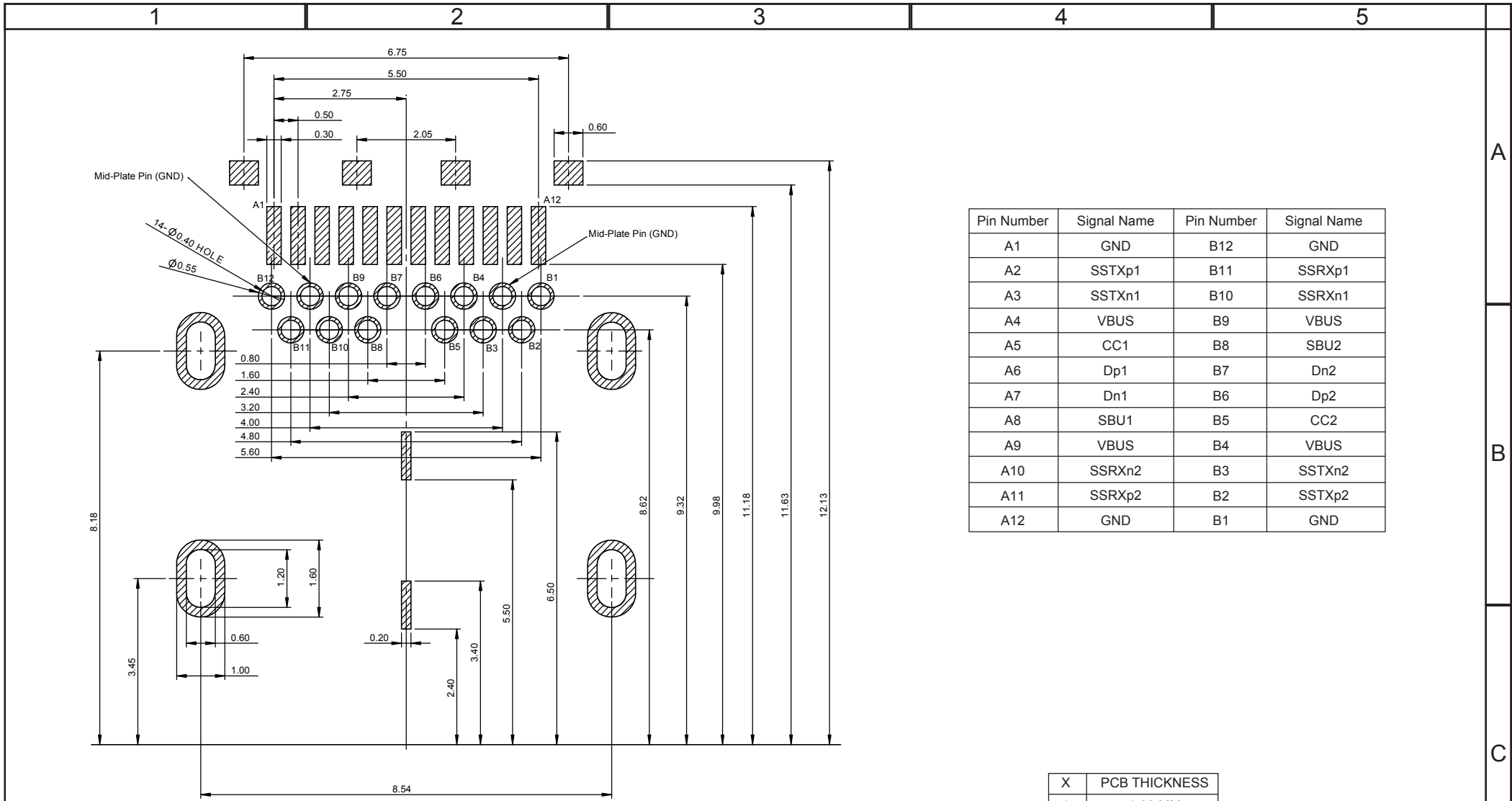
SIZE  
**A4**

A

B

C

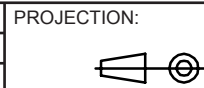
D



PCB LAYOUT - COMPONENT VIEW

X	PCB THICKNESS
1	1,00 MM
3	1,60 MM

RoHS Compliant			
G			
F			
E			
D			
C			
B			
A			
REV	DATE	FILE	BY



APPROVAL: NPr

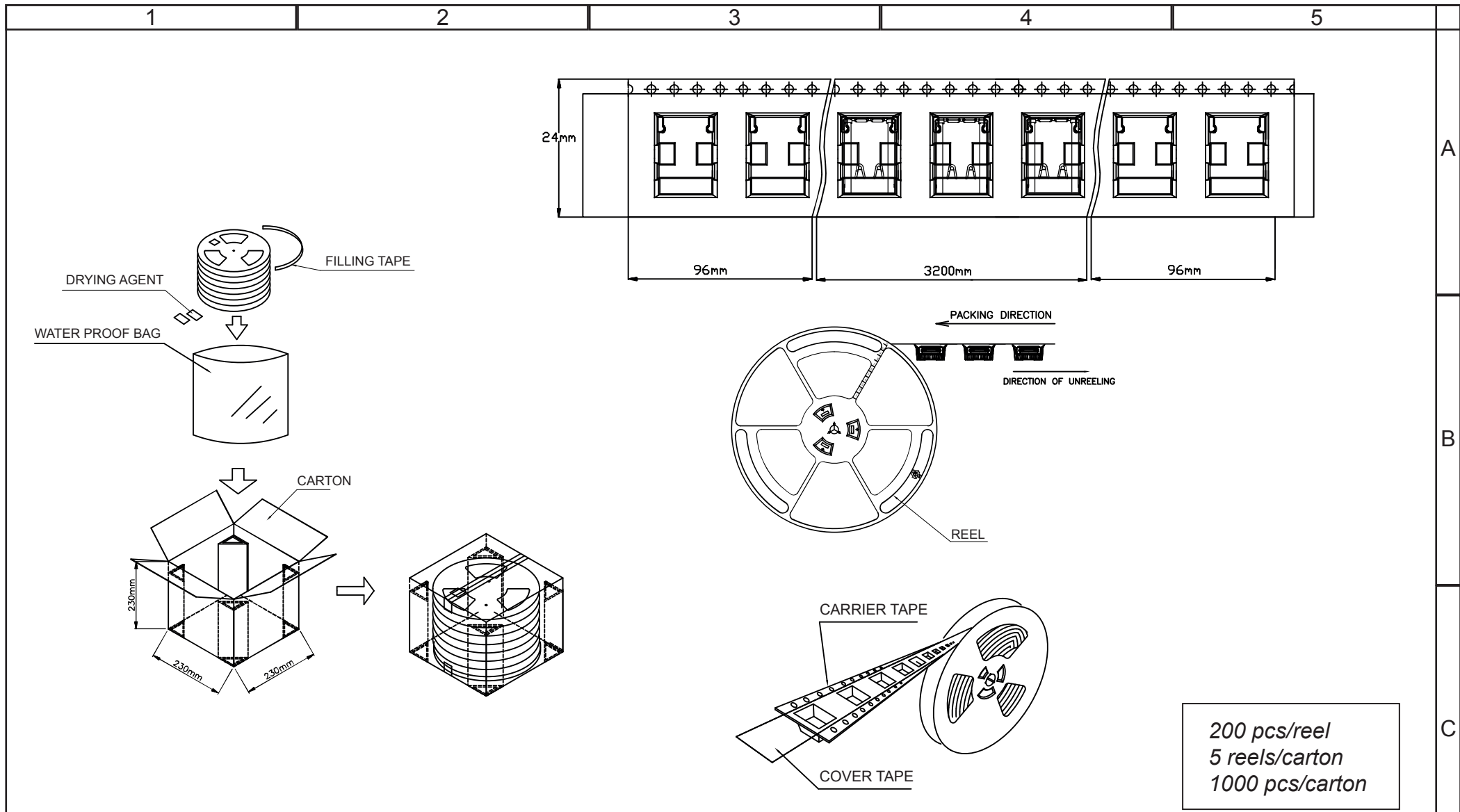
GENERAL TOLERANCE  
.X = +/- 0.2  
.XX = +/- 0.15



UNIT: MM  
SCALE:  
SHEET: 2/4  
DRAW: AK

DESCRIPTION: USB 3.1 TYPE C RECEPTACLE - HORIZONTAL THT/SMT  
WERI PART NO: 632 723 x00 021

SIZE  
**A4**



RoHS Compliant			
G			
F			
E			
D			
C			
B			
A			
REV	DATE	FILE	BY

PROJECTION:	
APPROVAL: NPR	

GENERAL TOLERANCE	.X = $\pm 0.2$
	.XX = $\pm 0.15$
UNIT: MM	
SCALE:	
SHEET: 3/4	
DRAW: AK	

DESCRIPTION: USB 3.1 TYPE C RECEPTACLE - HORIZONTAL THT/SMT
WERI PART NO: 632 723 x00 021

SIZE	<b>A4</b>

1

2

3

4

5

## Cautions and Warnings:

This electronic component is designed and developed with the intention for use in general electronics equipments.

Before incorporating the components into any equipments in the field such as aerospace, aviation, nuclear control, submarine, transportation, (automotive control, train control, ship control), transportation signal, disaster prevention, medical, public information network etc. where higher safety and reliability are especially required or if there is possibility of direct damage or injury to human body, Würth Elektronik must be asked for a written approval.

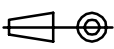

In addition, even electronic component in general electronic equipments, when used in electrical circuits that require high safety, reliability functions or performance, the sufficient reliability evaluation-check for the safety must be performed before by the user before usage.

A

B

C

RoHS Compliant

G				PROJECTION: 	GENERAL TOLERANCE .X = +/- 0.2 .XX = +/- 0.15		
F							
E							
D							
C				APPROVAL: JC	UNIT: MM	DESCRIPTION: DISCLAIMER	SIZE <b>A4</b>
B					SCALE:		
A	10-SEP-14	PDF	QL		SHEET: 4/4	WERI PART NO: DISCLAIMER	
REV	DATE	FILE	BY		DRAW: QL		

D