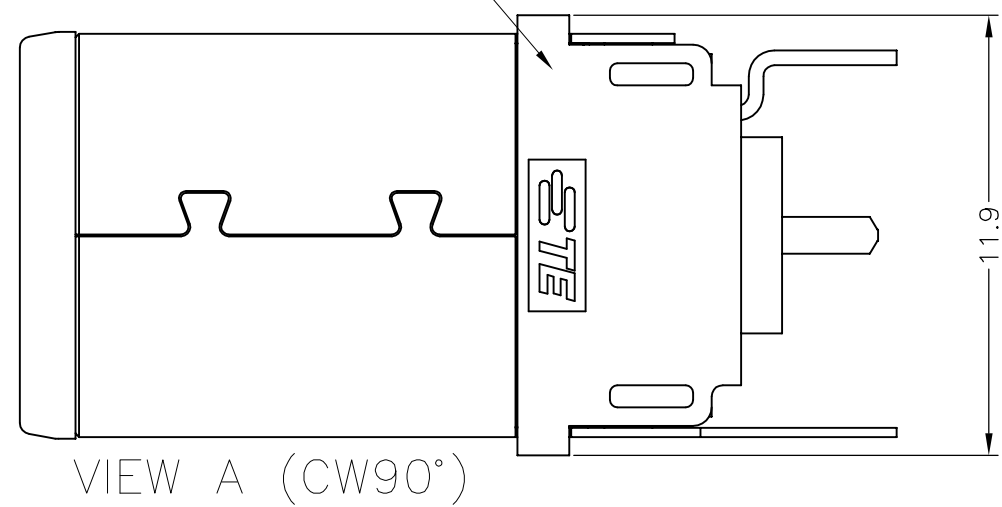
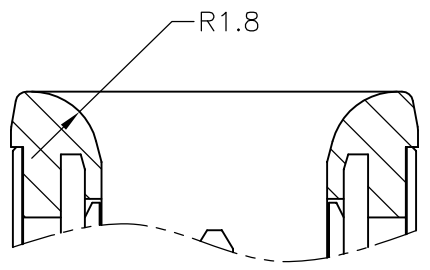
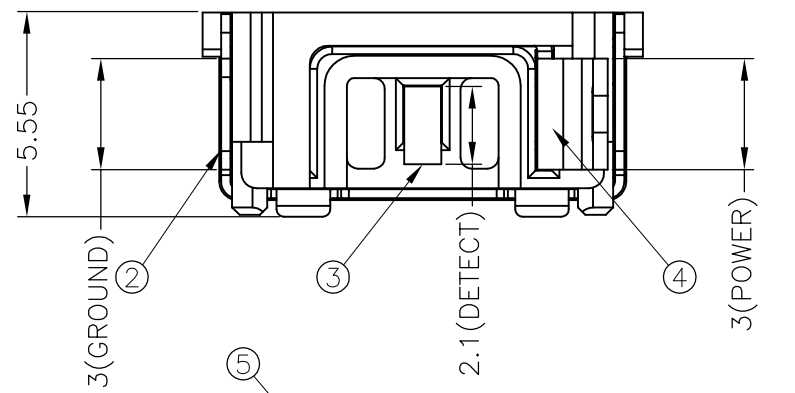
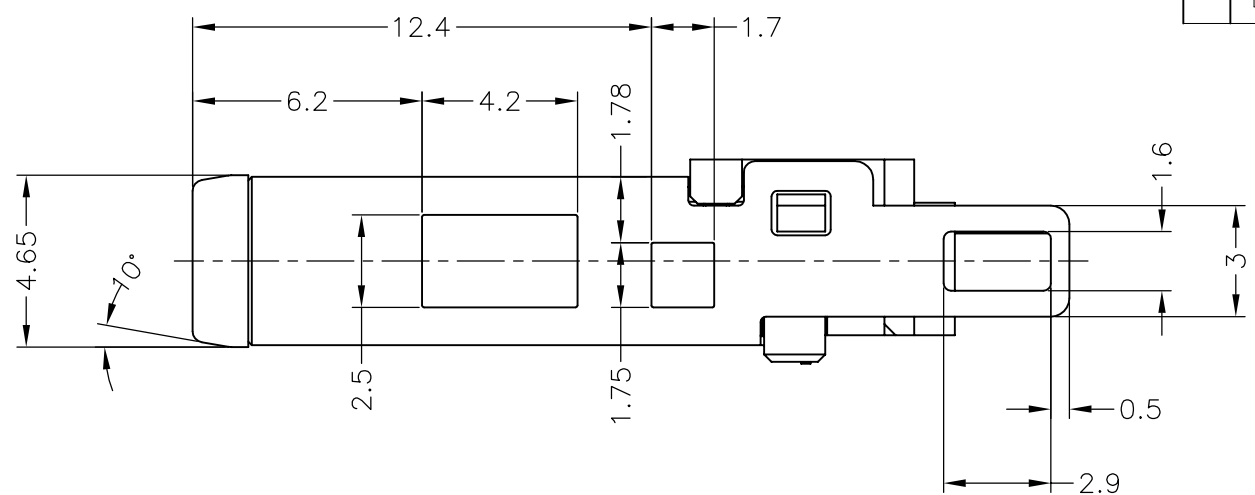
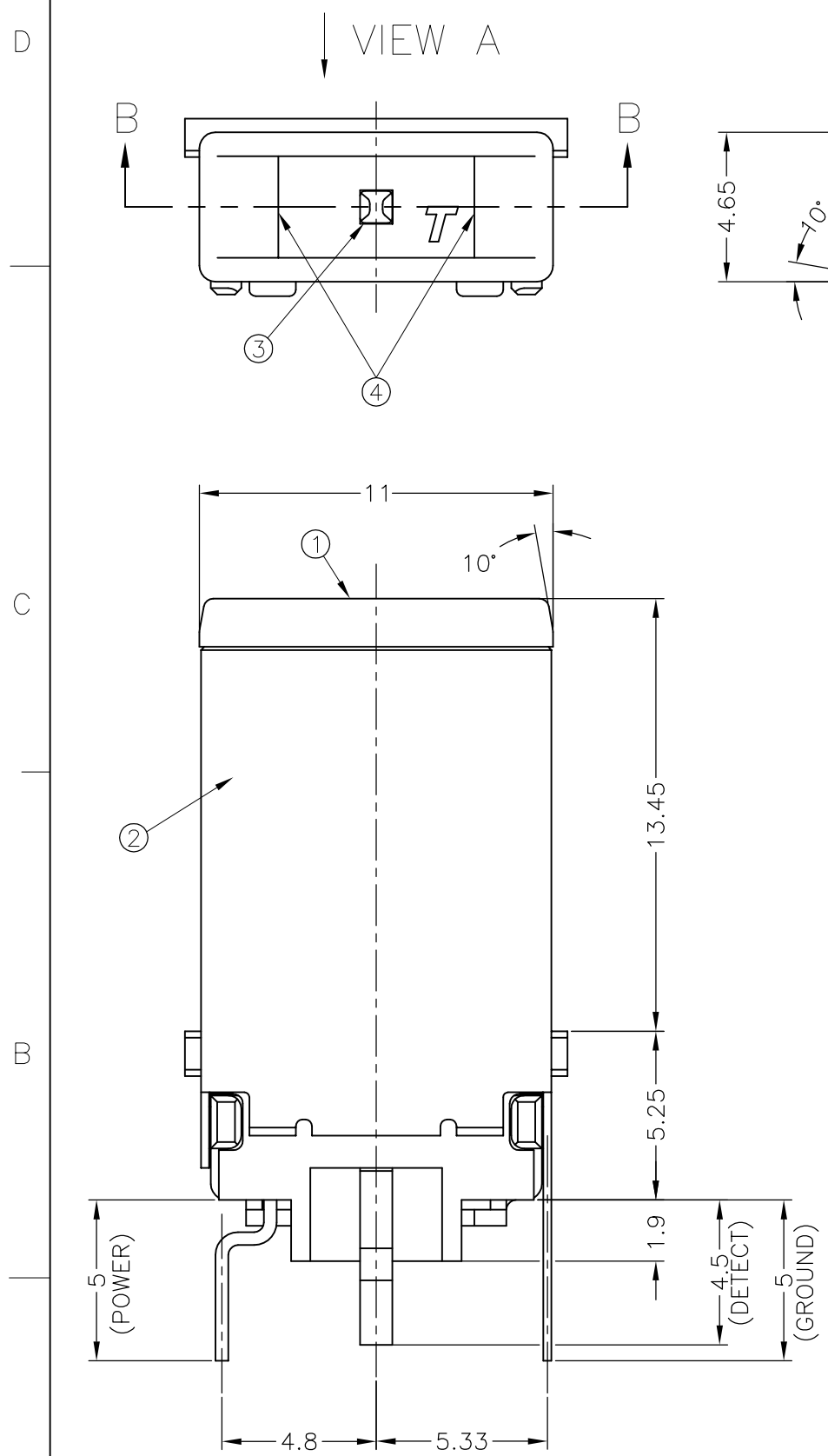


DRAWING IS UNPUBLISHED. RELEASED FOR PUBLICATION  
 COPYRIGHT - By - ALL RIGHTS RESERVED.

LOC	DIST	REVISIONS			
P	LTR	DESCRIPTION	DATE	DWN	J.L
DW		B4	REVISED (ECR-15-011639)	21AUG15	J.Z



B-B

A'SSY P/N			FINISH/COLOR	MATERIAL	PART NAME	NO
Q'TY						
1	1	1-2129334-2	NATURAL	THERMOPLASTIC (UL94V-0)	REAR HOUSING	⑤
1	1	1-2129334-1	0.0002mm GOLD PLATING ON CONTACT AREA, 0.002mm MATTE TIN PLATING ON SOLDER AREA, 0.002mm MIN. NICKEL UNDERPLATED ALL OVER	COPPER ALLOY	POWER CONTACT	④
1	1	2129334	0.0002mm GOLD PLATING ON CONTACT AREA, 0.002mm MATTE TIN PLATING ON SOLDER AREA, 0.002mm MIN. NICKEL UNDERPLATED ALL OVER	COPPER ALLOY	DETECT CONTACT	③
1	1	2129334	0.002mm MATTE TIN PLATING ON SOLDER AREA, 0.002mm MIN. NICKEL UNDERPLATED ALL OVER	COPPER ALLOY	GROUND CONTACT	②
1	-		BLACK	THERMOPLASTIC (UL94V-0)	HOUSING	①
-	1		YELLOW	THERMOPLASTIC (UL94V-0)		

THIS DRAWING IS A CONTROLLED DOCUMENT.

DIMENSIONS: mm	TOLERANCES UNLESS OTHERWISE SPECIFIED: 0 PLC ± 1 PLC ± 2 PLC ± 3 PLC ± 4 PLC ± ANGLES ±	±0.25 ±3° ±
MATERIAL SEE TABLE	FINISH	

DWN	S.HUANG	24FEB2012
CHK	V.PENG	24FEB2012
APVD	W.KODAMA	24FEB2012
PRODUCT SPEC		
APPLICATION SPEC		
WEIGHT		

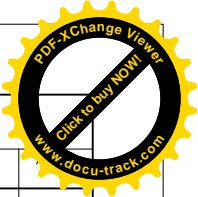
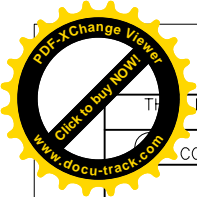
**STE** TE Connectivity

NAME: DC POWER PLUG CONNECTOR

SIZE	CAGE CODE	DRAWING NO	RESTRICTED TO
A3	00779	C-2129334	

CUSTOMER DRAWING

SCALE: 5:1 SHEET: 1 of 2 REV: B4



4

3

2

1

DRAWING IS UNPUBLISHED.

RELEASED FOR PUBLICATION

COPYRIGHT - By -

ALL RIGHTS RESERVED.

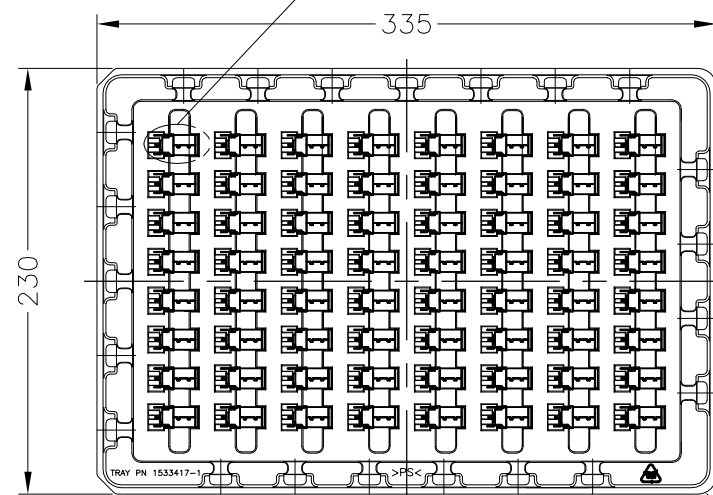
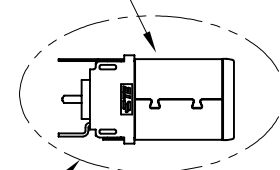
LOC DW

DIST

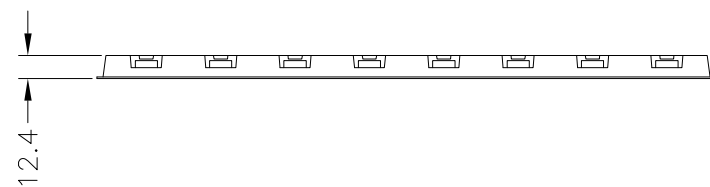
REVISIONS

P	LTR	DESCRIPTION	DATE	DWN
-	-	SEE SHEET 1	-	-

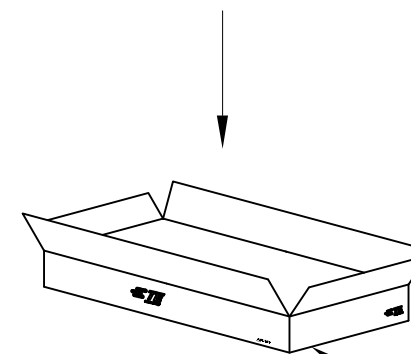
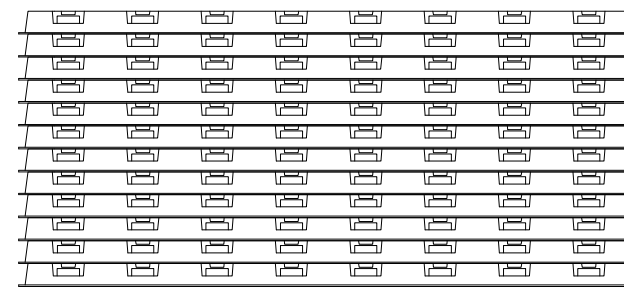
DC POWER PLUG CONNECTOR  
 TE P/N: 1-2129334-1  
 OR 1-2129334-2



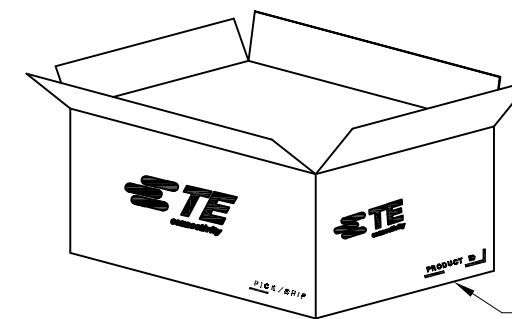
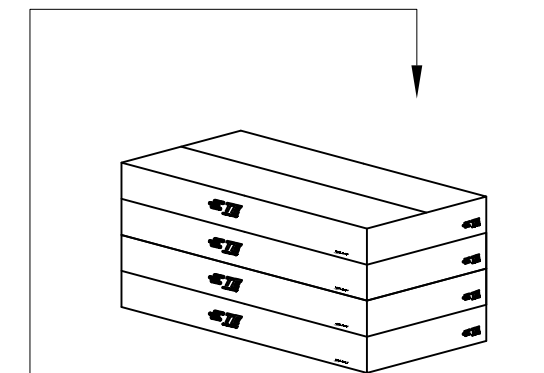
TRAY



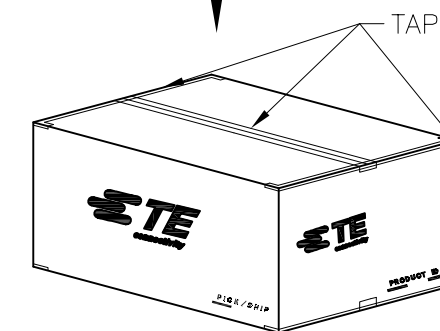
- INNER BOX DIMENSION: 340mmX243mmX111mm
  - SHIPPING BOX DIMENSION: 505mmX350mmX248mm
  - EU ROHS-RELATED RESTRICTED SUBSTANCE SPEC IN HOMOGENEOUS MATERIAL REFER TO TEC-138-702 REV.G:  
 LEAD < 1000PPM, CADMIUM < 100PPM, MERCURY < 1000PPM  
 CHROMIUM VI < 1000PPM, PBB <1000PPM, PBDE < 1000PPM
  - HALOGEN FREE SPEC:  
 CHLORINE (Cl): 900 ppm MAX.  
 BROMINE (Br): 900 ppm MAX.  
 CHLORINE (Cl) + BROMINE (Br): 1500 ppm MAX.
- ⚠ PRODUCT SPEC:  
 108-99035 FOR 7A CURRENT RATING.  
 108-99040 FOR 10.7A CURRENT RATING.



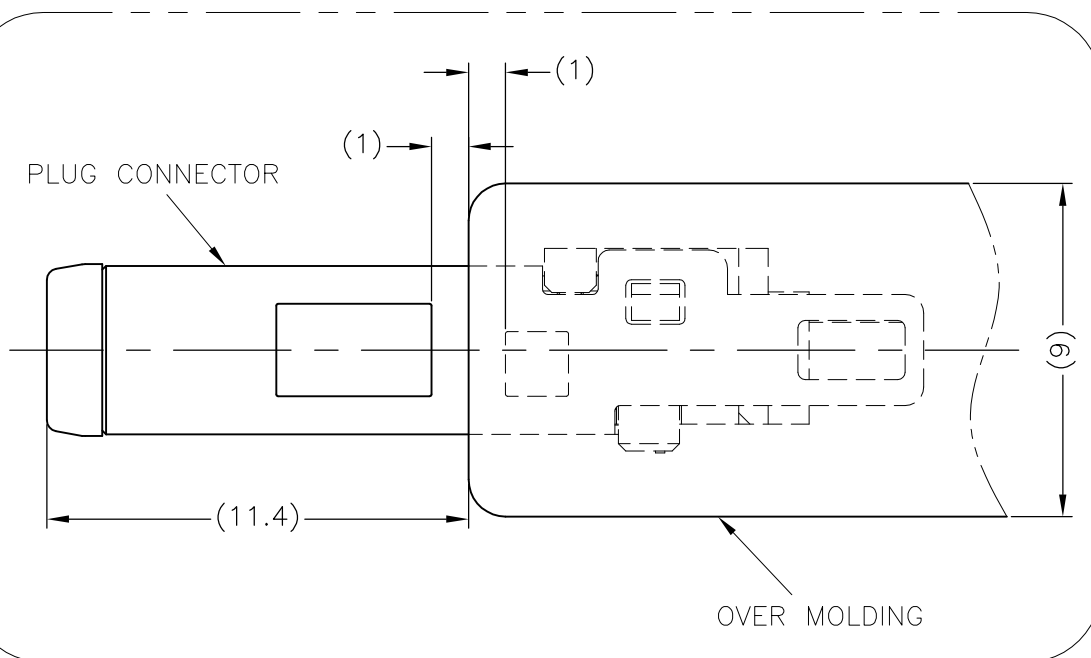
INNER BOX



SHIPPING BOX



TAPE



64	768	4	3072
PCS/TRAY	PCS/INNER BOX	INNER BOX/SHIPPING BOX	TOTAL Q'TY

THIS DRAWING IS A CONTROLLED DOCUMENT.		DWN	TE Connectivity NAME DC POWER PLUG CONNECTOR	
DIMENSIONS: mm		CHK		
TOLERANCES UNLESS OTHERWISE SPECIFIED:		APVD		
0 PLC ± - 1 PLC ± - 2 PLC ± - ±0.25 3 PLC ± - ±3° 4 PLC ± - ANGLES ± - FINISH		PRODUCT SPEC		
MATERIAL		APPLICATION SPEC	SIZE	RESTRICTED TO
		WEIGHT	A3	
CUSTOMER DRAWING		CAGE CODE		
		DRAWING NO		
		C-2129334		
		SCALE	SHEET	REV
		NA	2 of 2	B4