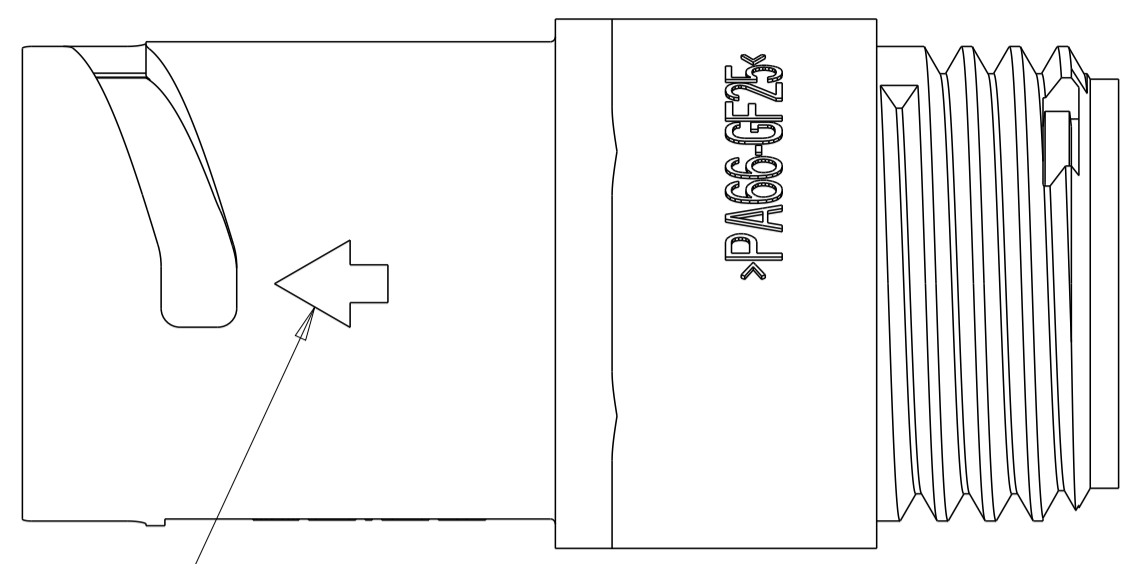
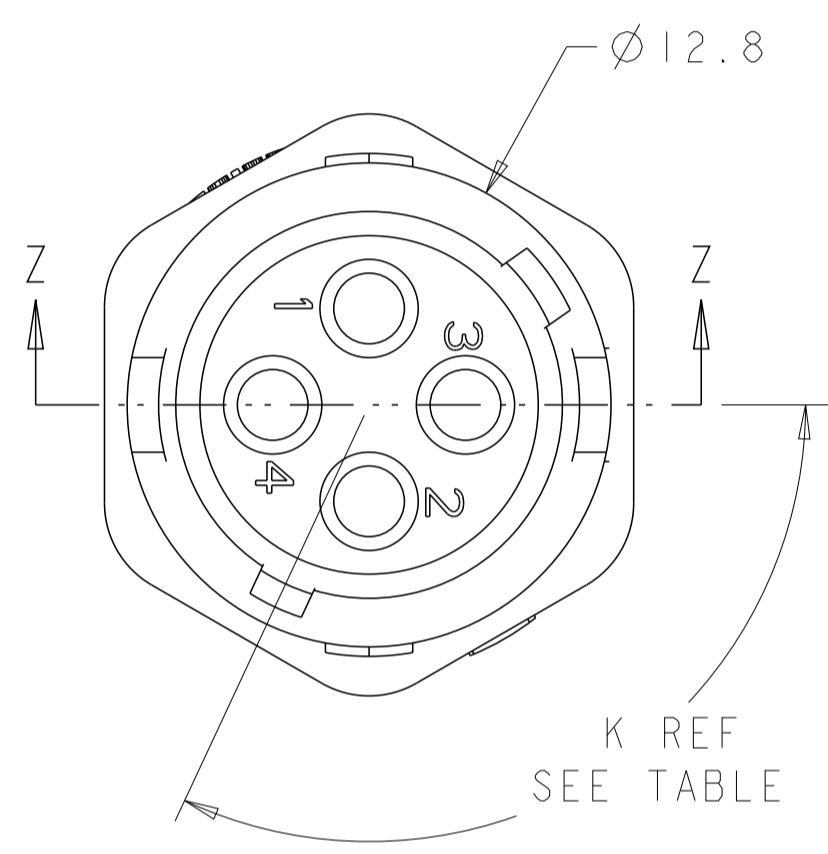


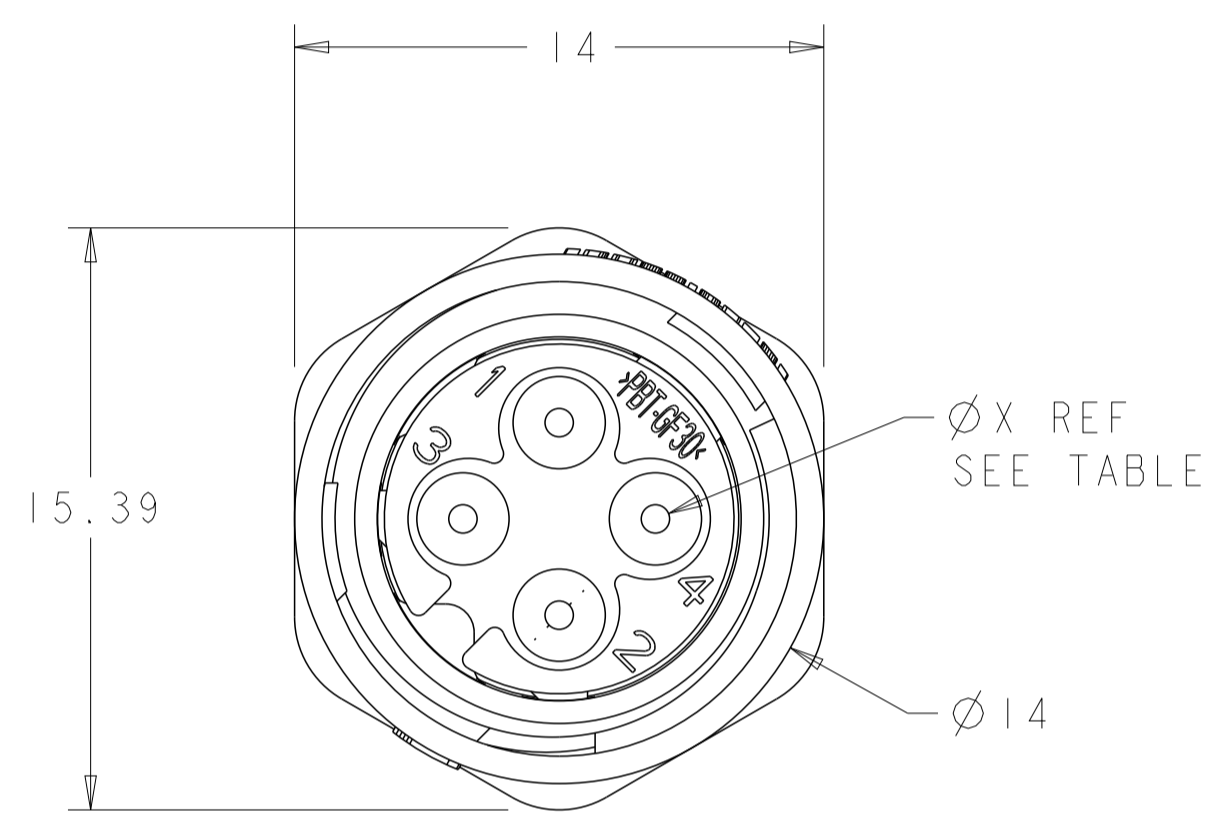
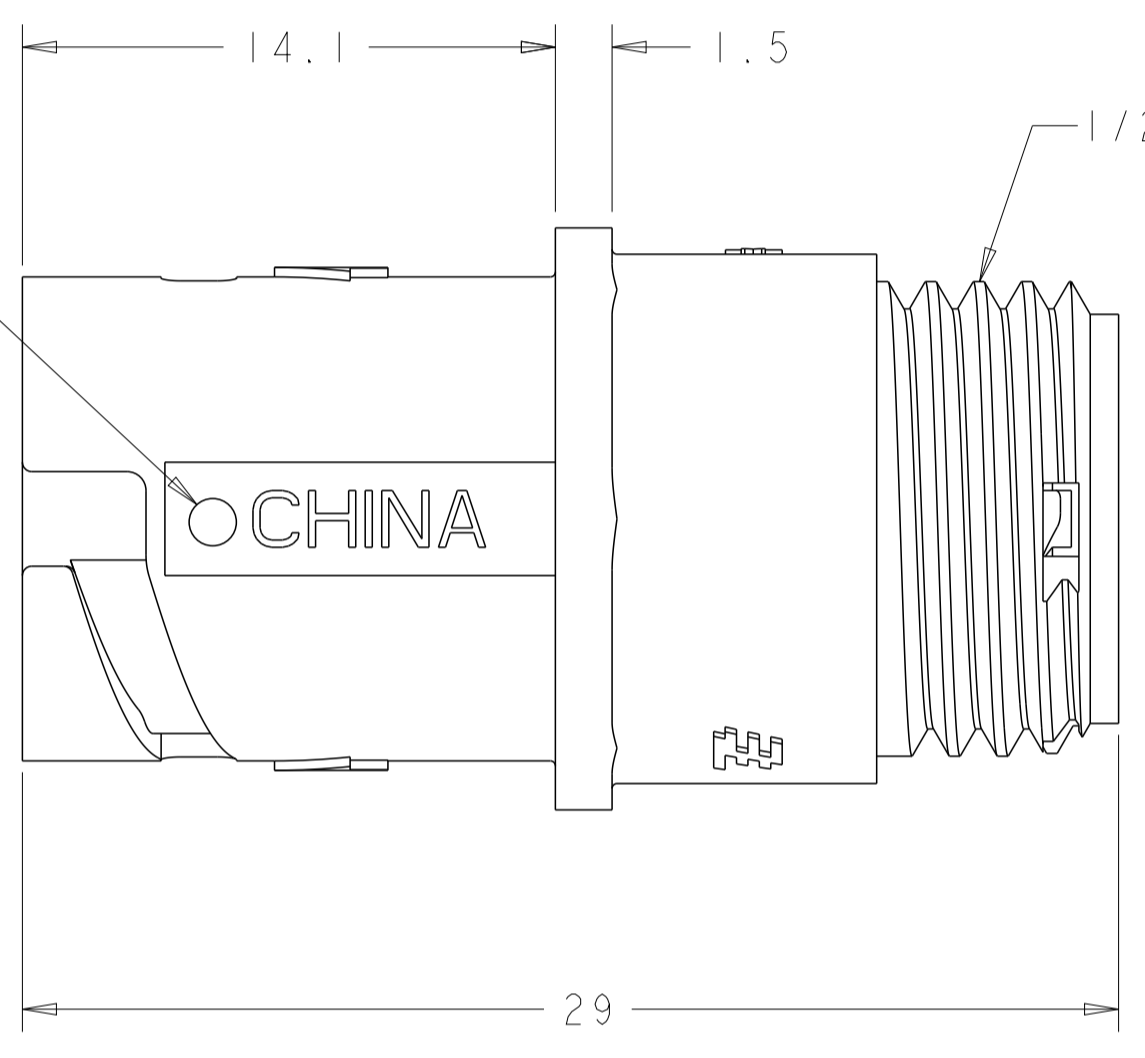
REVISIONS				
P	LTN	DESCRIPTION	DATE	OWN APVD
B2		REVISED PER ECO-15-010004	11JUL2015	NK MZ



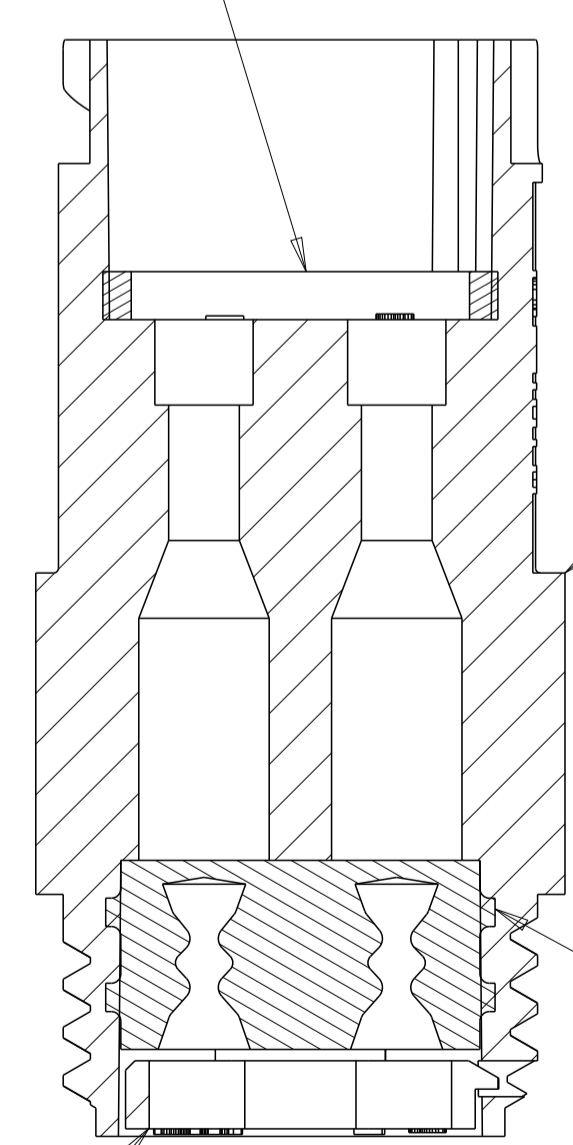
POSITIVE LOCK INDICATOR



ALIGNMENT DOT COLOR-WHITE



SEAL, PERIPHERAL, 1 REQD
 MATERIAL: ELASTOMER, COLOR-GRAY



HOUSING, 1 REQD
 MATERIAL: THERMOPLASTIC, COLOR-BLACK

SEAL, WIRE ENTRY, 1 REQD
 MATERIAL: ELASTOMER, COLOR-SEE TABLE

RETAINER, SEAL, 1 REQD
 MATERIAL: THERMOPLASTIC, COLOR-BLACK

SECTION Z-Z

YELLOW	Ø 0.75	130°	1445389-04
NATURAL	Ø 1.5	115°	1445389-03
NATURAL	Ø 1.5	130°	1445389-02
YELLOW	Ø 0.75	115°	1445389-01
SEAL WIRE ENTRY SEAL COLOR	Ø X REF	K REF	PART NUMBER

THIS DRAWING IS A CONTROLLED DOCUMENT.

DIMENSIONS:	TOLERANCES UNLESS OTHERWISE SPECIFIED:	OWN: G. DOUTY 01MAR2001	
mm	0 PLC ±	CHK: H. WAKEEM 12JUN2003	
	1 PLC ±	APVD: H. WAKEEM 12JUN2003	
	2 PLC ±	NAME: ASSEMBLY, RECEPTACLE, SIZE 8, 4 POSITION, FREE HANGING, SEALED, MINI CPC	
MATERIAL: SEE CALLOUT	SEE CALLOUT	SIZE: A100779	RESTRICTED TO: -
		WEIGHT: -	CAGE CODE: 1445389
		CUSTOMER DRAWING	SCALE: 5:1 SHEET 1 OF 1 REV: B2