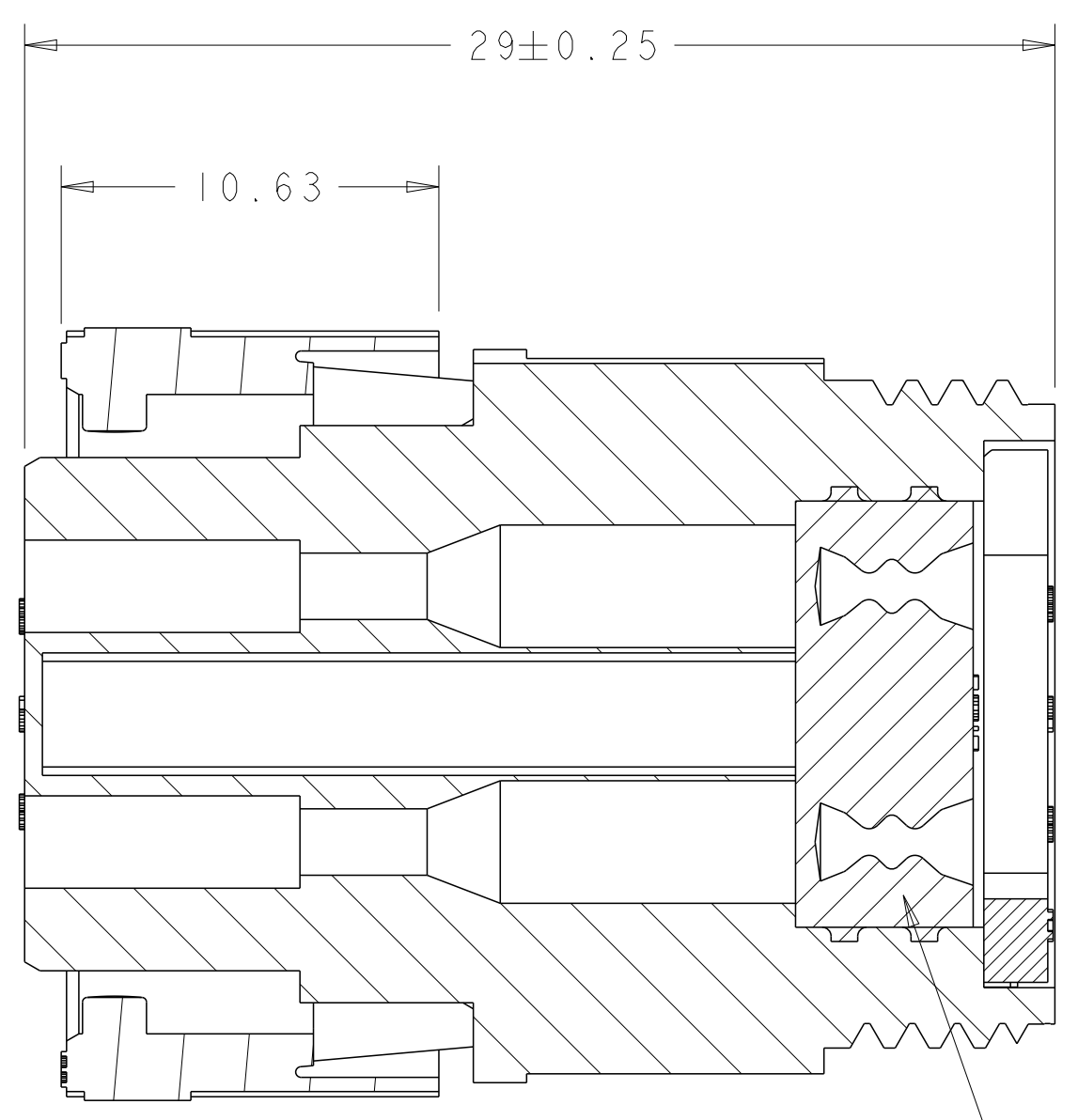
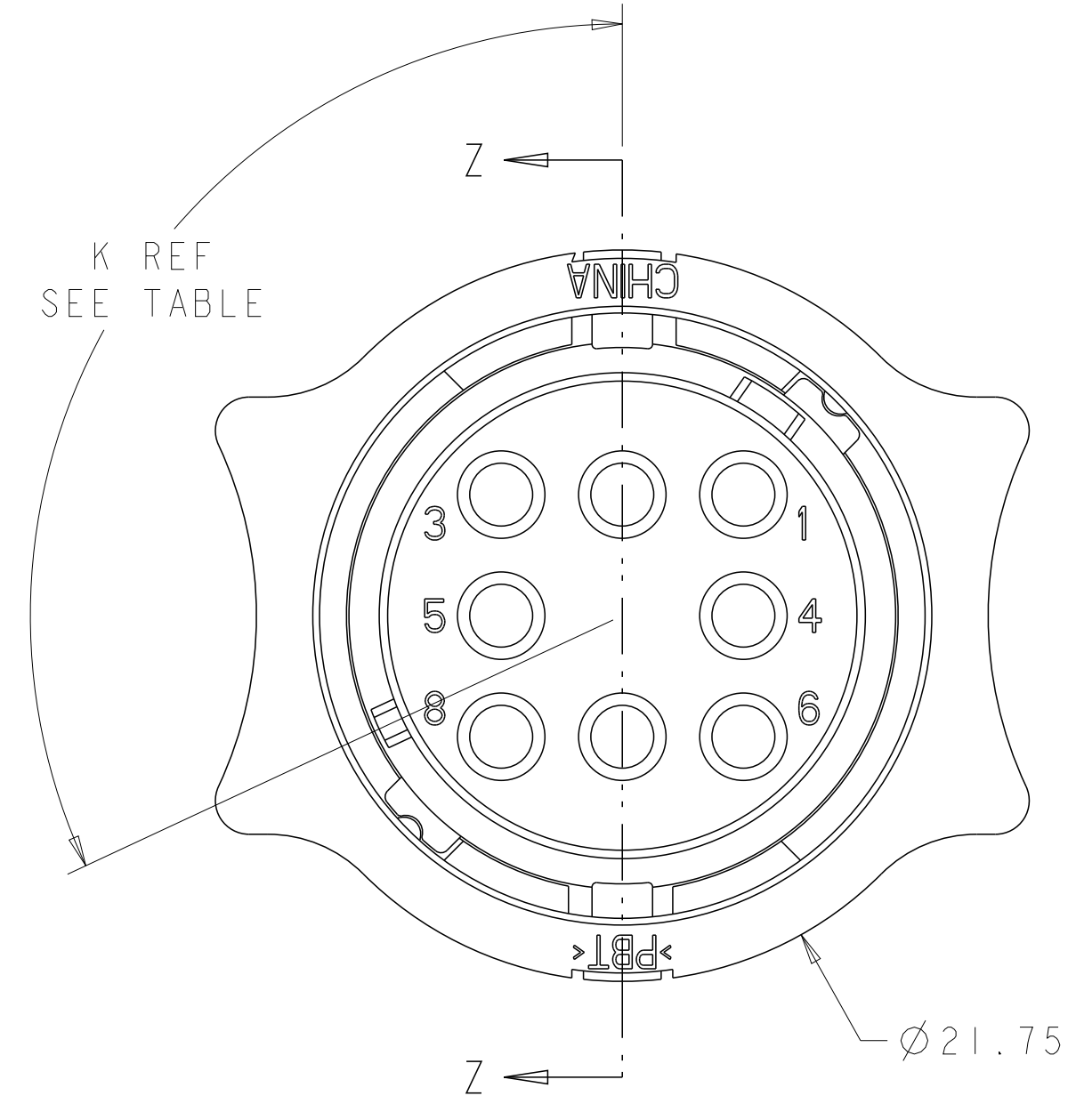
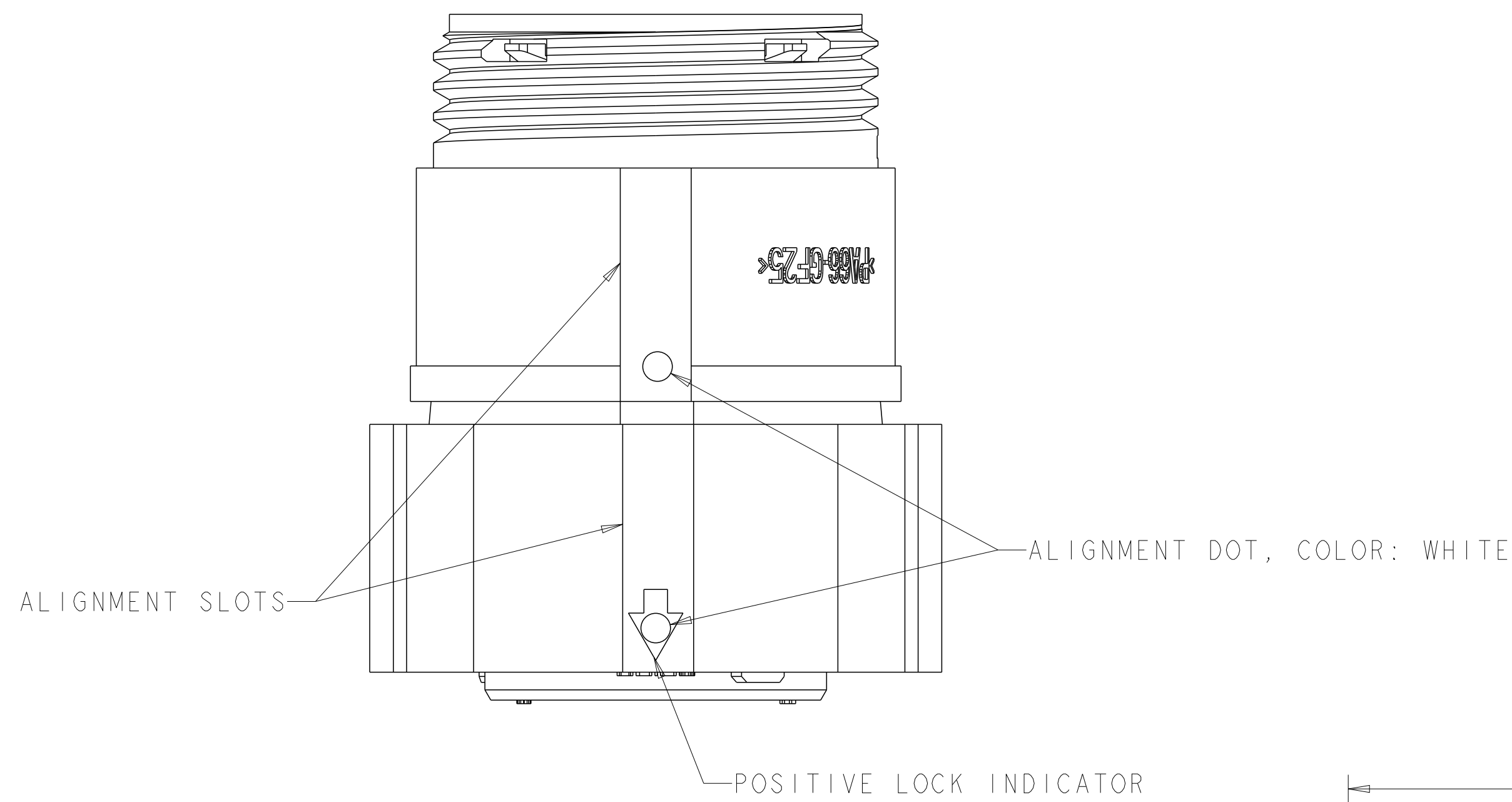
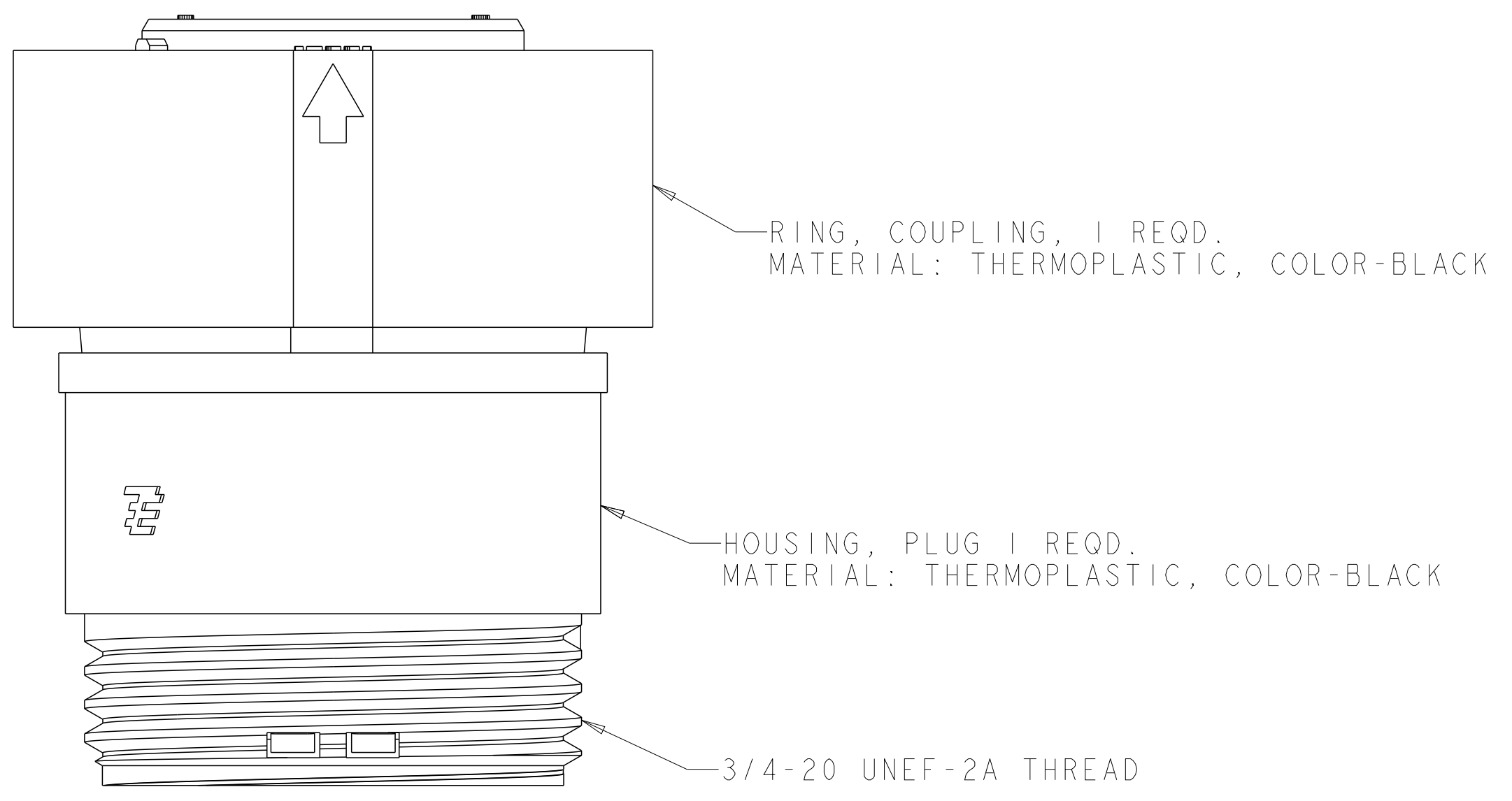
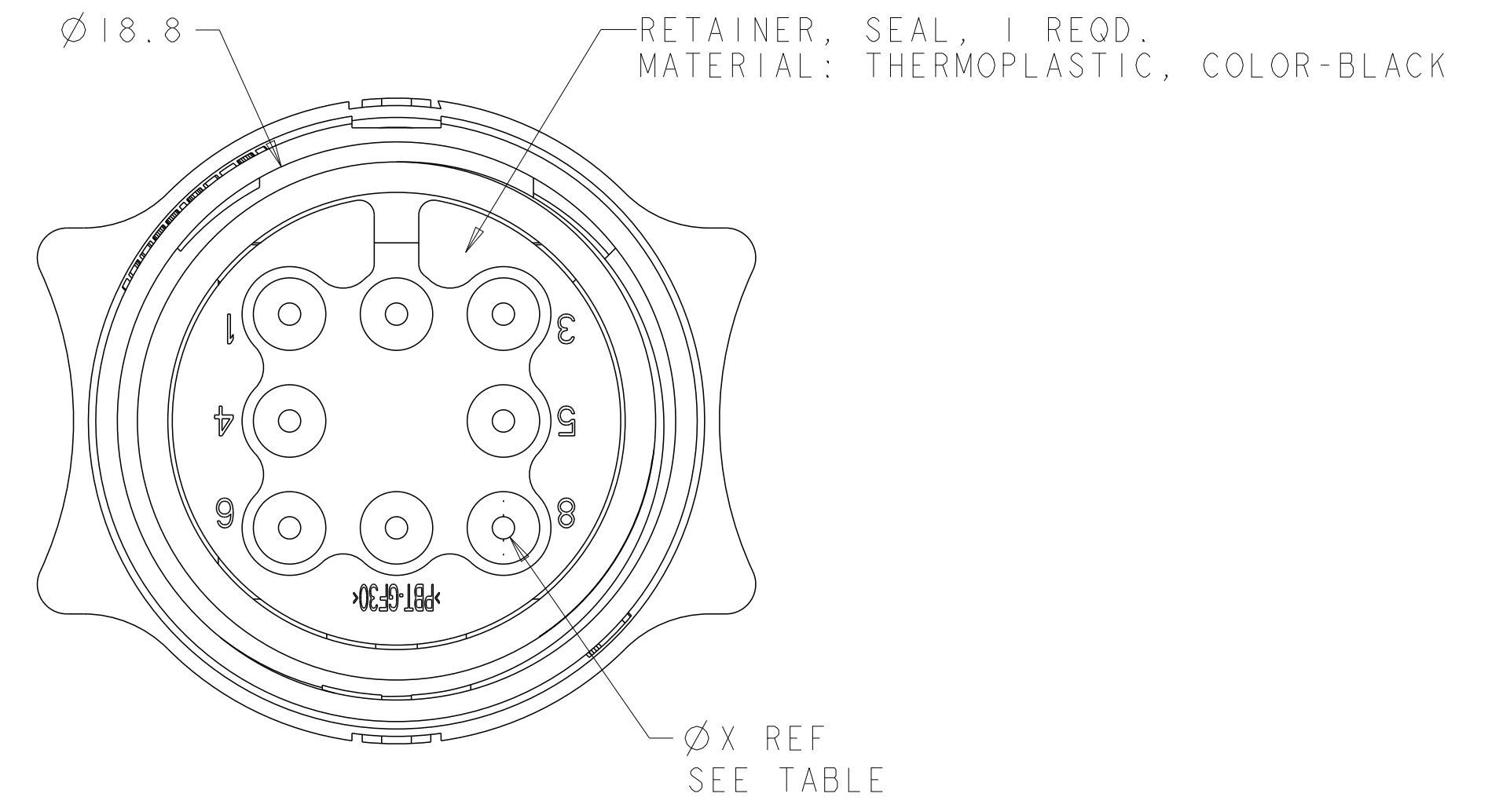


REVISIONS				
P	LTN	DESCRIPTION	DATE	APVD
C2		REVISED PER ECO-15-010004	13JUL2015	NK MZ



SECTION Z-Z



YELLOW	Ø0.75	135°	1445817-4
NATURAL	Ø1.5	115°	1445817-3
NATURAL	Ø1.5	135°	1445817-2
YELLOW	Ø0.75	115°	1445817-1
SEAL, WIRE ENTRY COLOR	ØX REF	K REF	PART NUMBER

THIS DRAWING IS A CONTROLLED DOCUMENT.

SHANE WIESE 16OCT2001
 G DOUTY 16OCT2001

H. WAKEEM 13JUN2003

NAME ASSEMBLY, PLUG, SIZE 11, 8 POSITION, SEALED, MINI CPC

SIZE CAGE CODE DRAWING NO. RESTRICTED TO
 A100779C=1445817

MATERIAL SEE CALLOUT
 FINISH -

WEIGHT -

CUSTOMER DRAWING

SCALE 5:1 SHEET 1 OF 1 REV C2