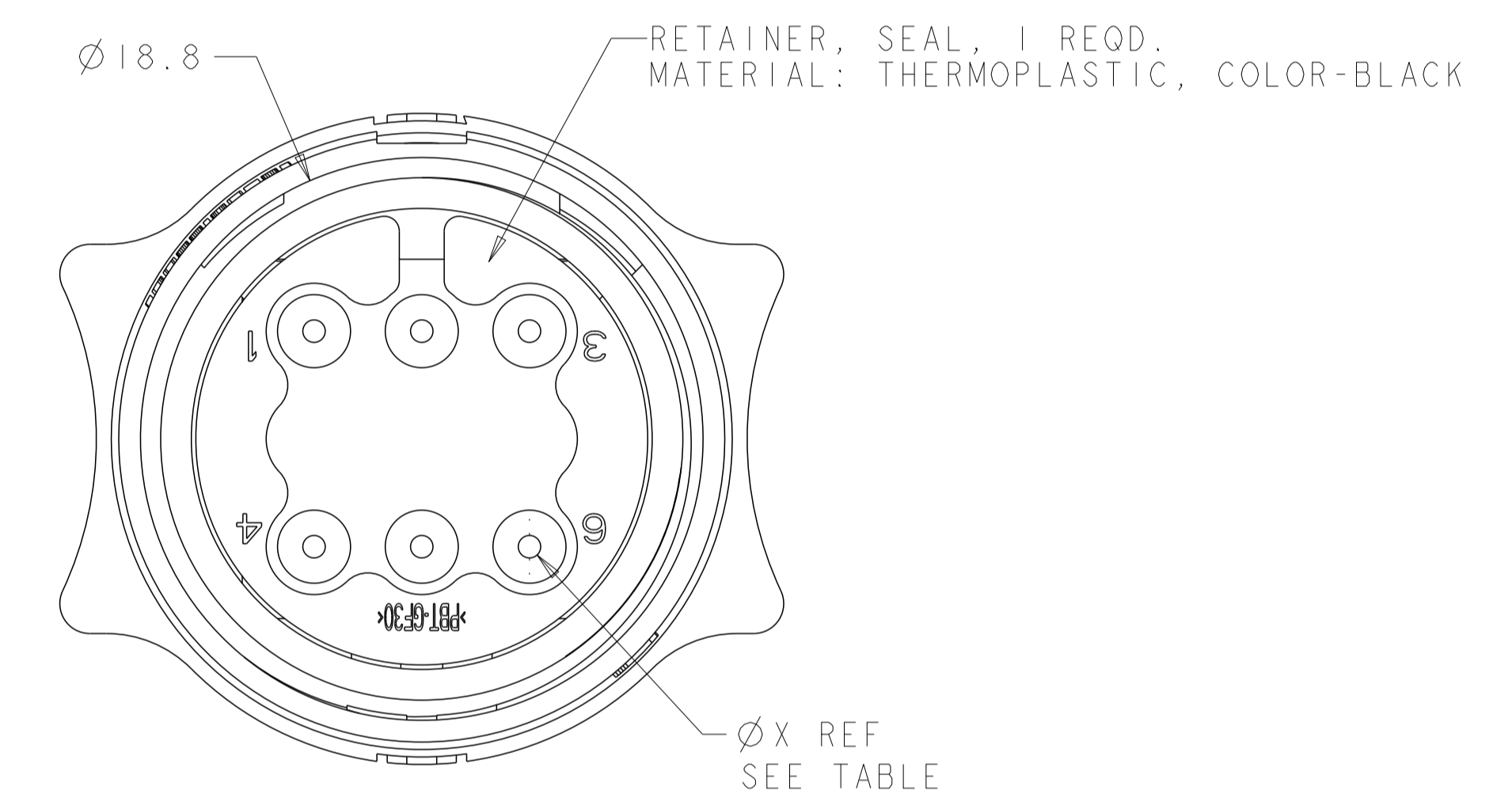
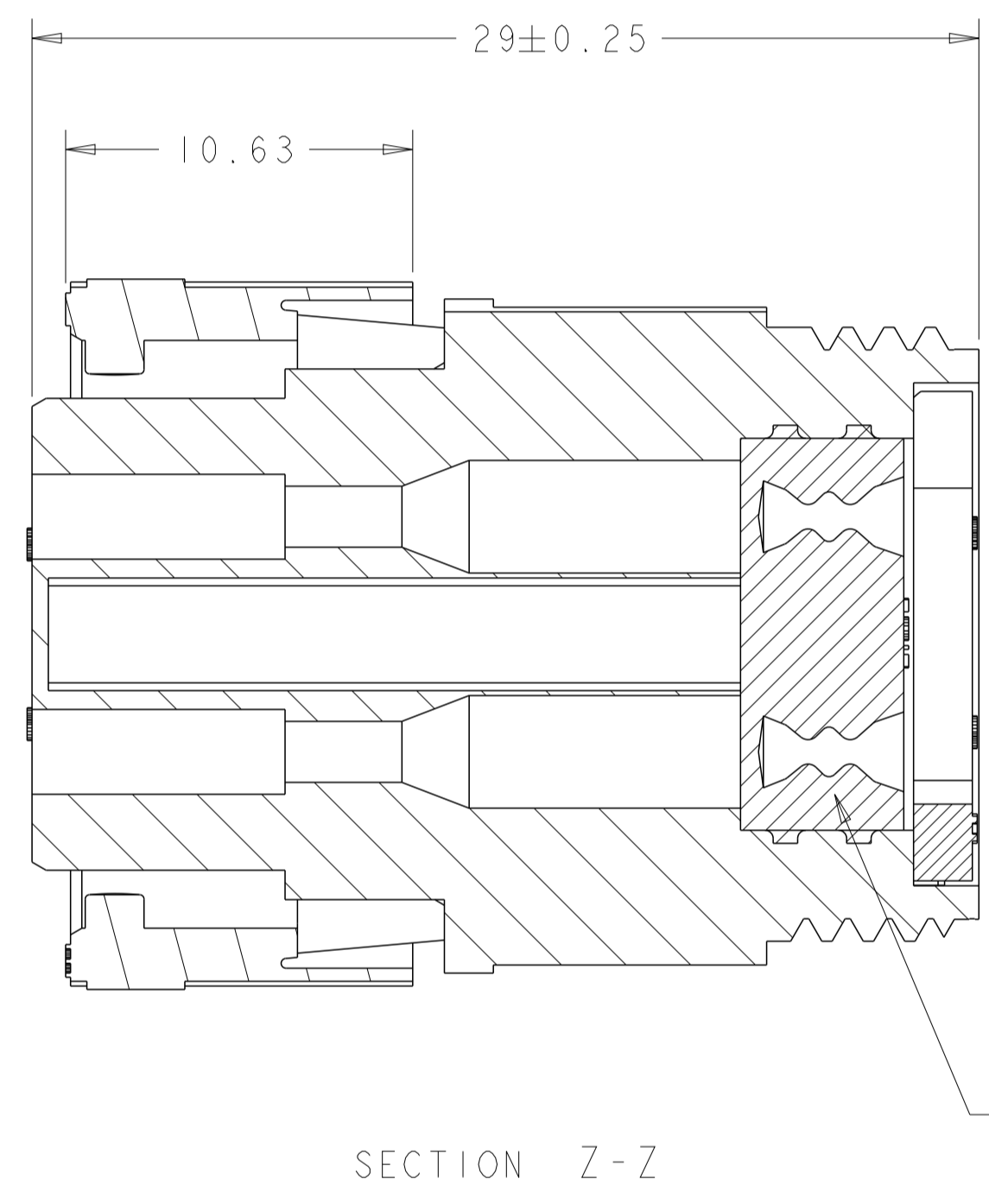
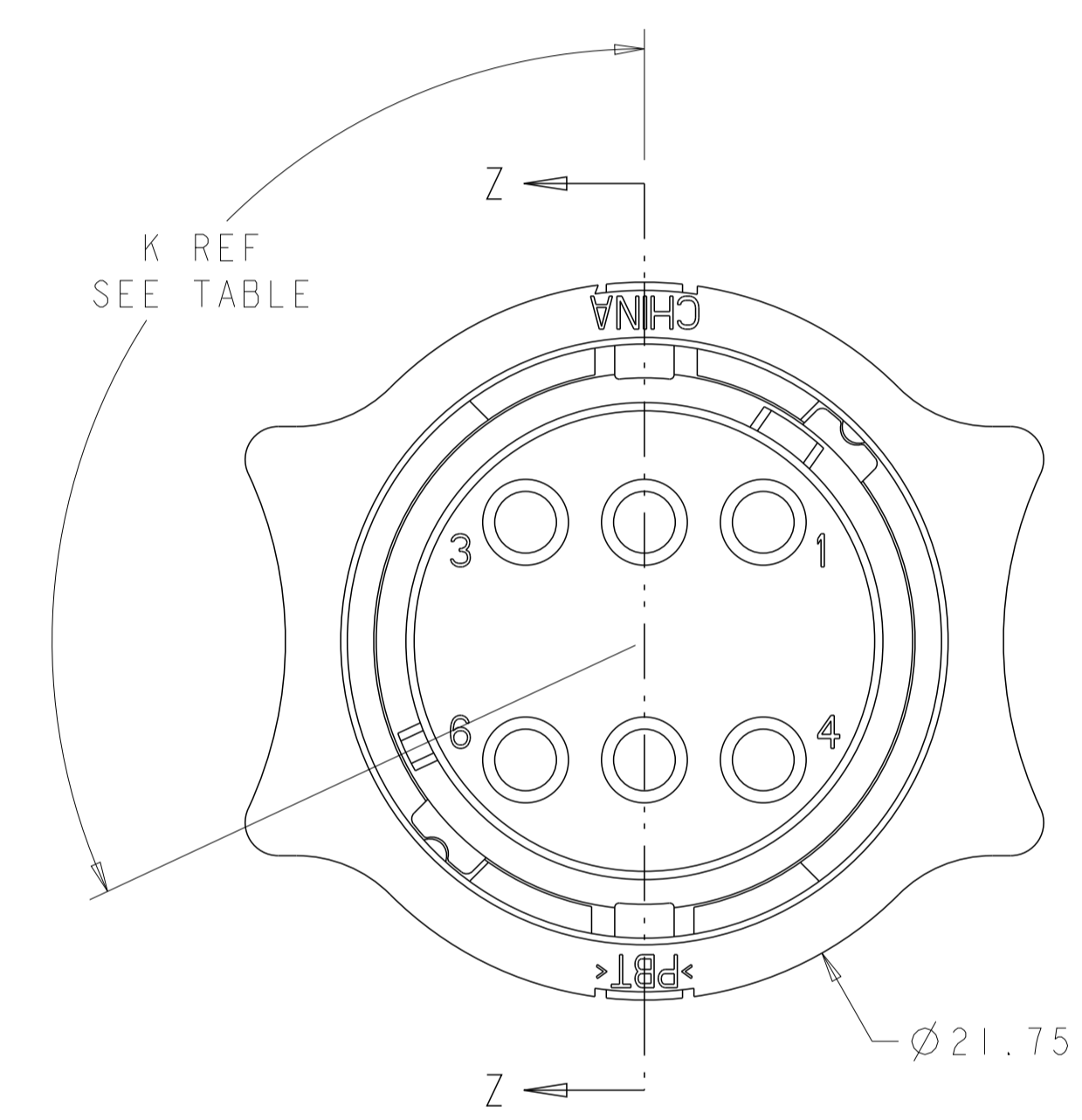
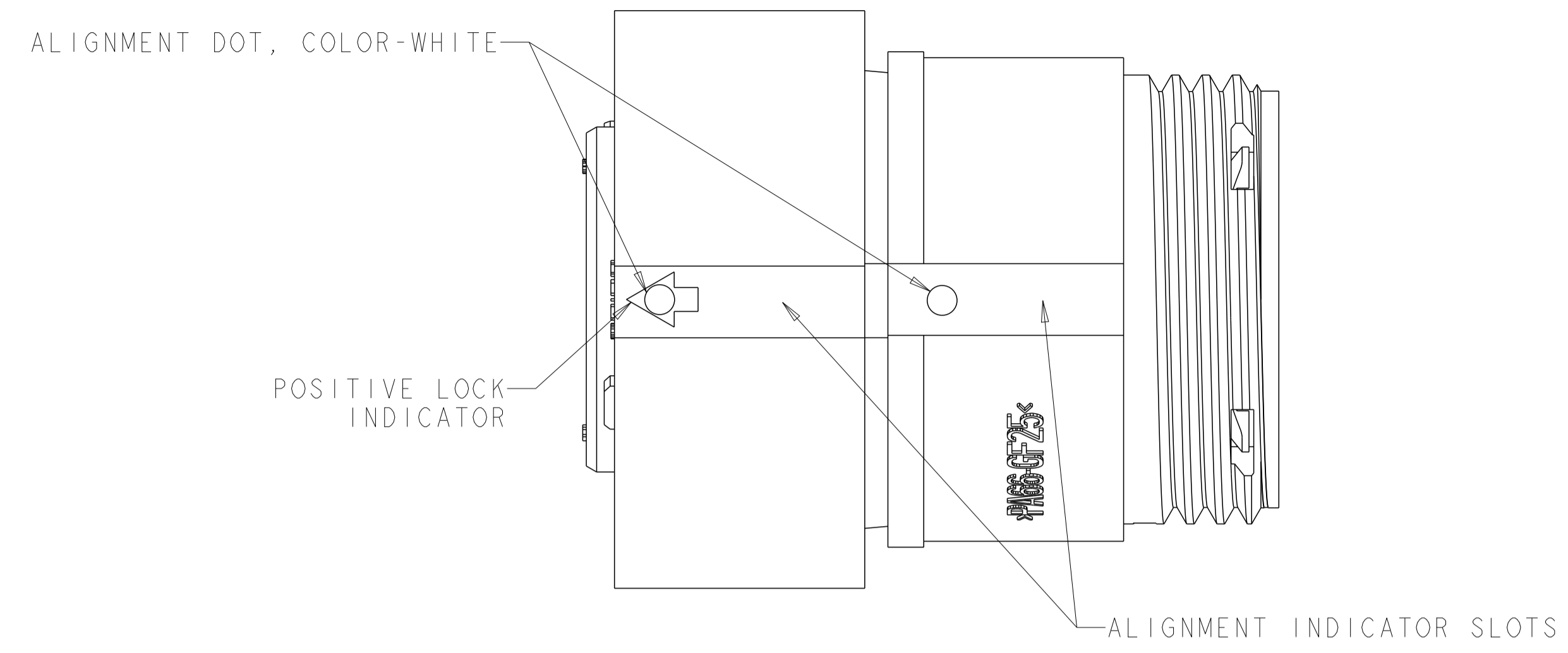
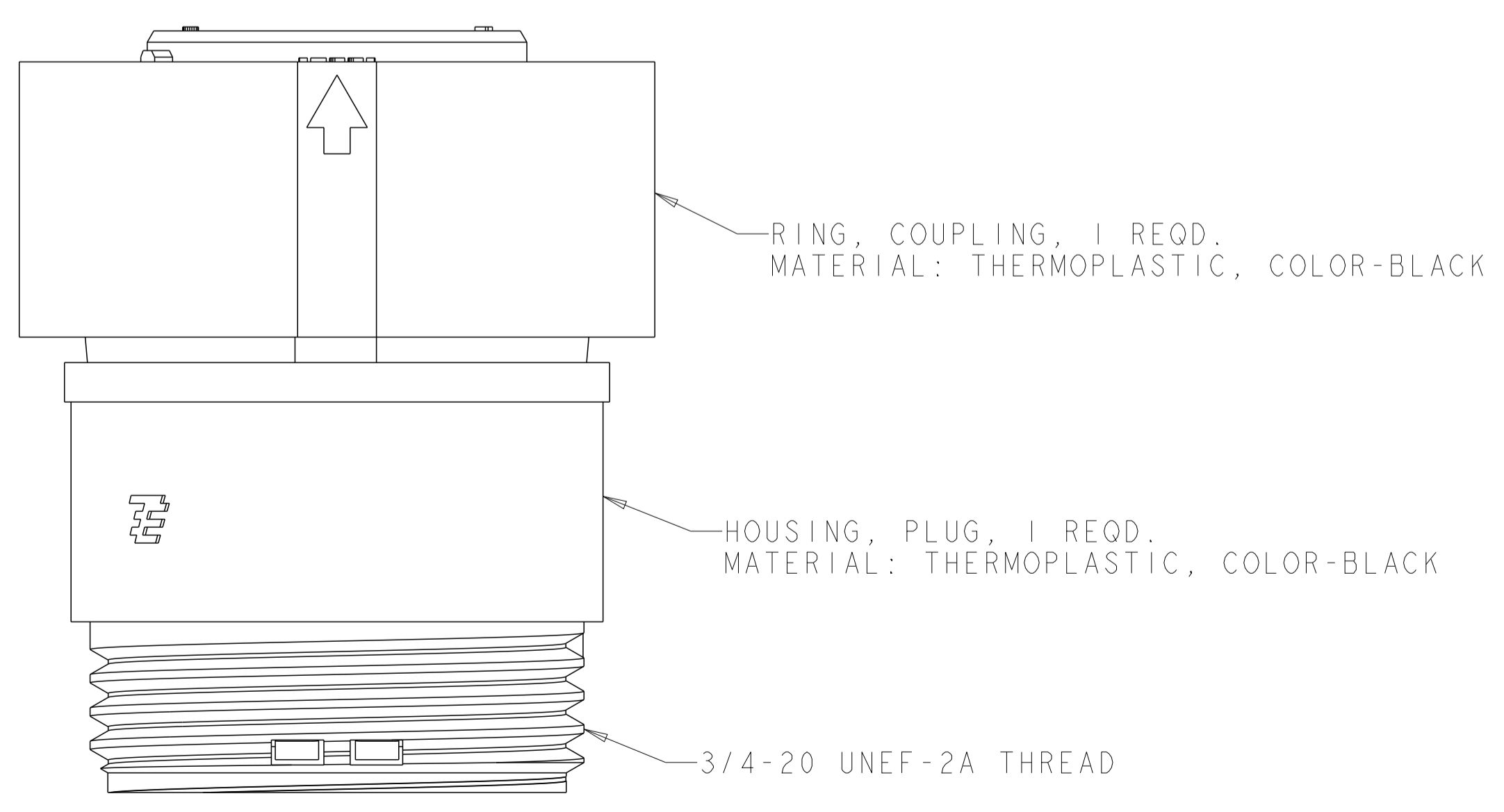


REVISIONS				
P	LTN	DESCRIPTION	DATE	APVD
C2		REVISED PER ECO-15-010004	13JUL2015	NK MZ



SEAL, WIRE ENTRY, 1 REQD.  
 MATERIAL: ELASTOMER, COLOR-SEE TABLE



YELLOW	$\phi 0.75$	135°	1445819-4
NATURAL	$\phi 1.5$	115°	1445819-3
NATURAL	$\phi 1.5$	135°	1445819-2
YELLOW	$\phi 0.75$	115°	1445819-1
SEAL, WIRE ENTRY COLOR	$\phi X$ REF	K REF	PART NUMBER

THIS DRAWING IS A CONTROLLED DOCUMENT. DWG: SHANE WIESE 16OCT2001  
 CHK: G DOUTY 16OCT2001  
 APVD: H. WAKEEM 13JUN2003

**STE** TE Connectivity

NAME: ASSEMBLY, PLUG, SIZE 11, 6 POSITION, SEALED, MINI CPC

SIZE: A1 CAGE CODE: 100779 DRAWING NO: 1445819 RESTRICTED TO: -  
 MATERIAL: SEE CALLOUT FINISH: - WEIGHT: - CUSTOMER DRAWING SCALE: 5:1 SHEET 1 OF 1 REV: C2