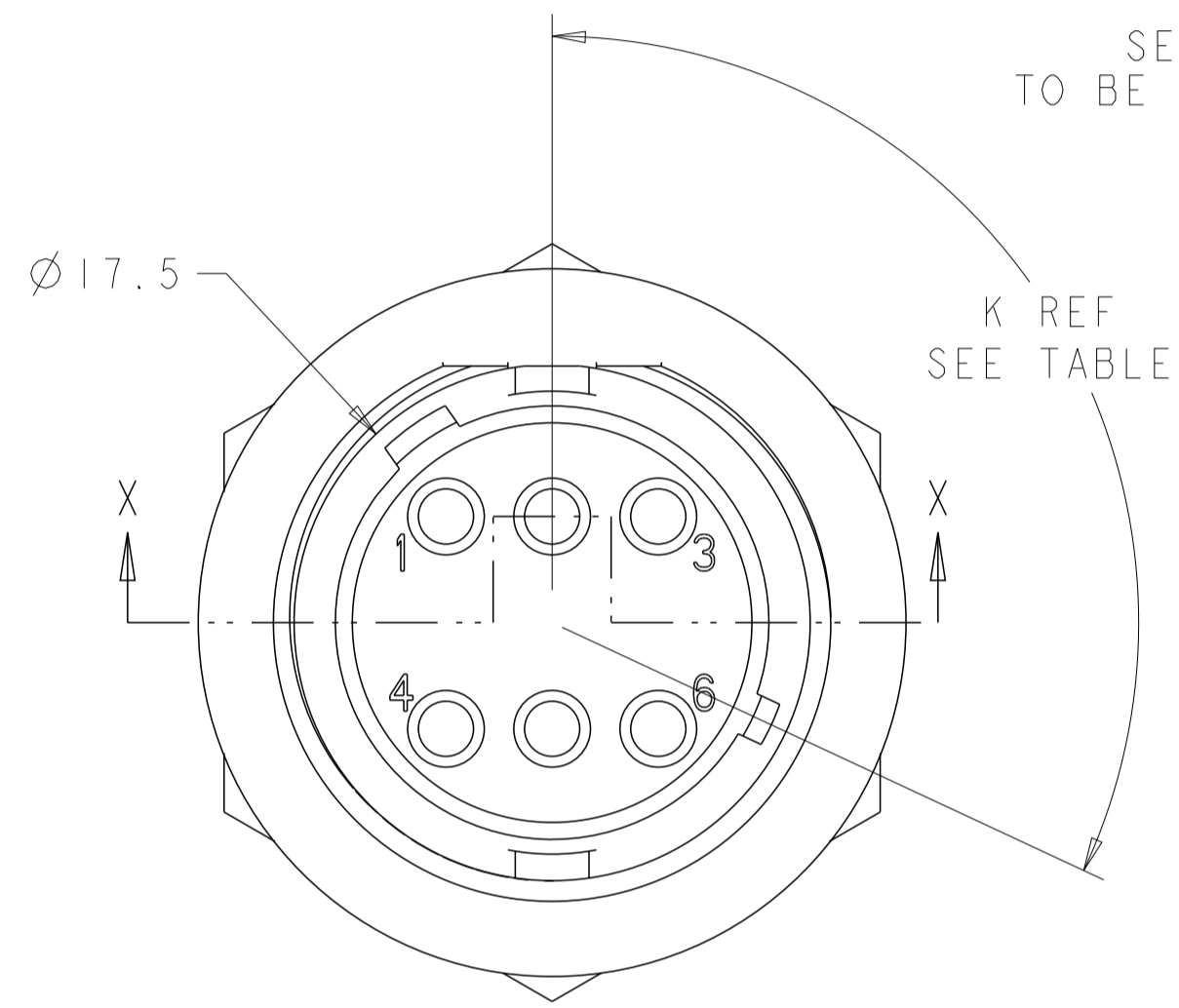
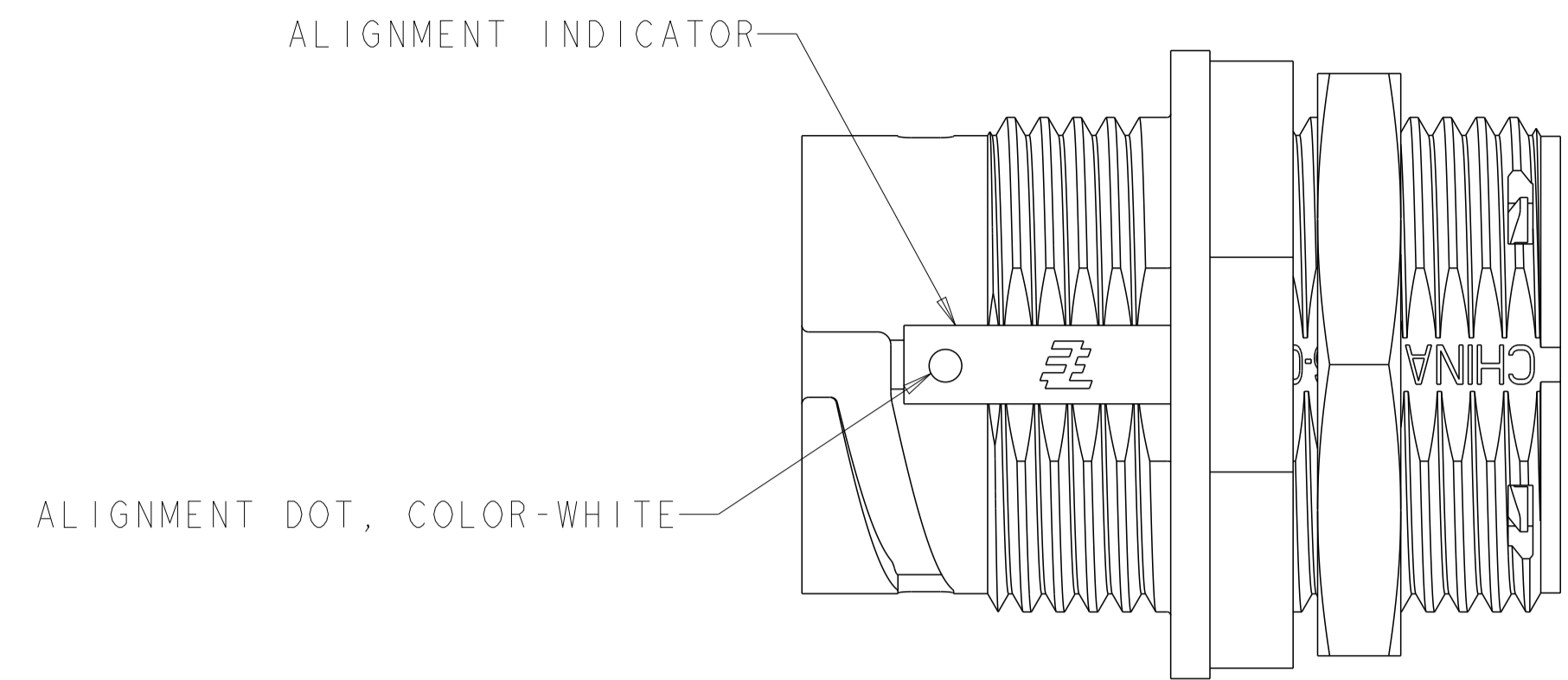
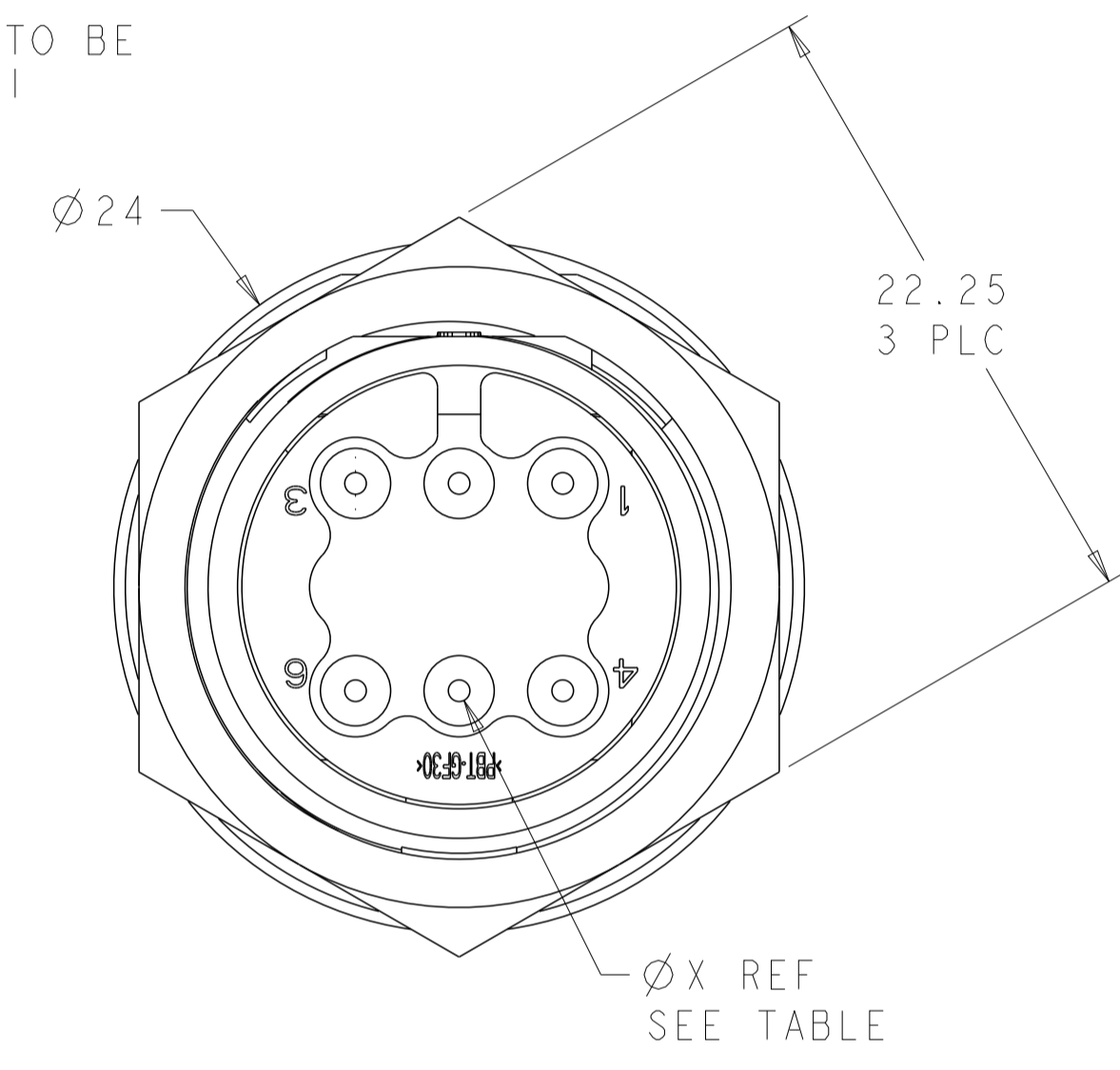
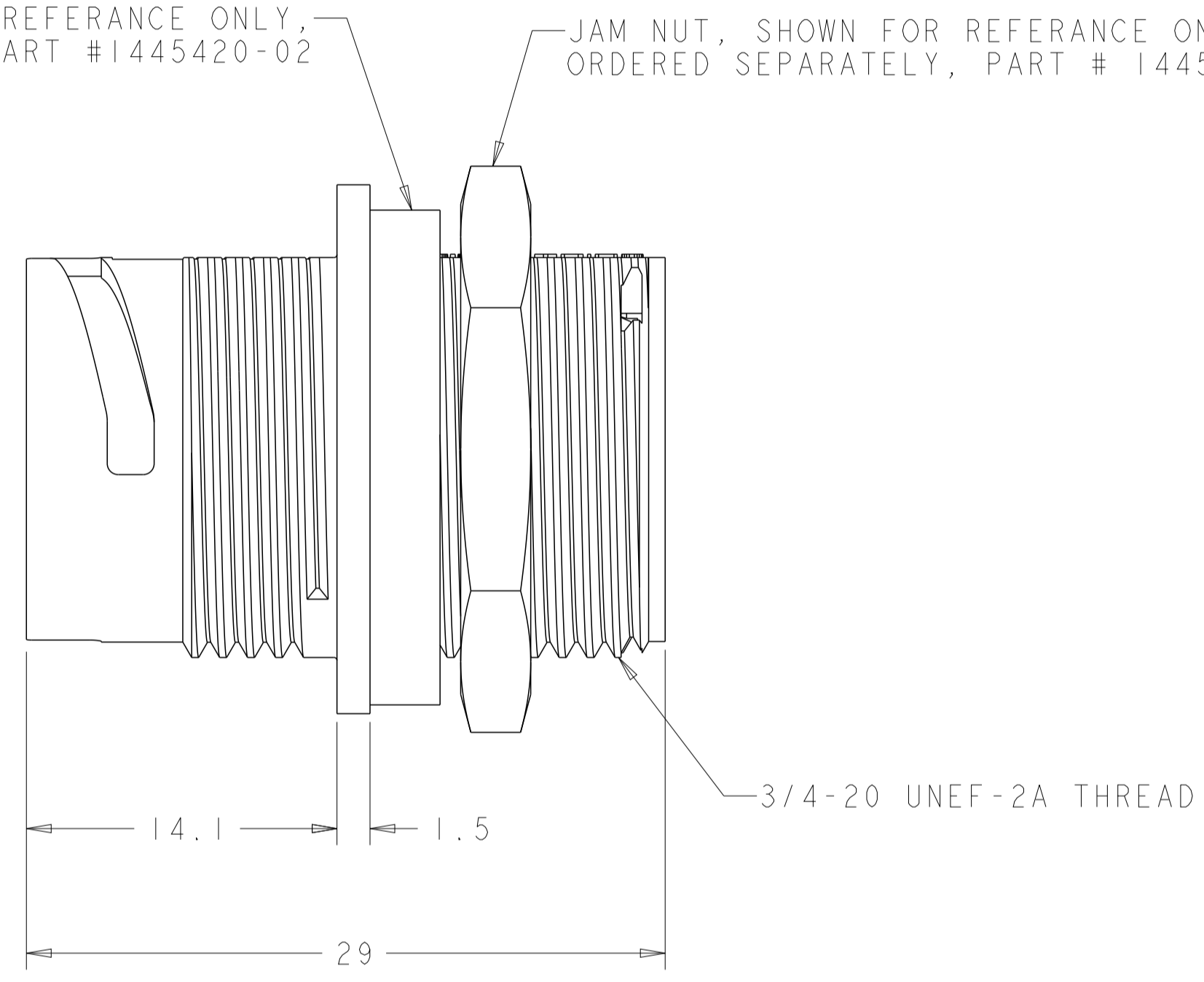


REVISIONS					
P	LTN	DESCRIPTION	DATE	DMN	APVD
B2		REVISED PER ECO-15-010004	13JUL2015	NK	MZ

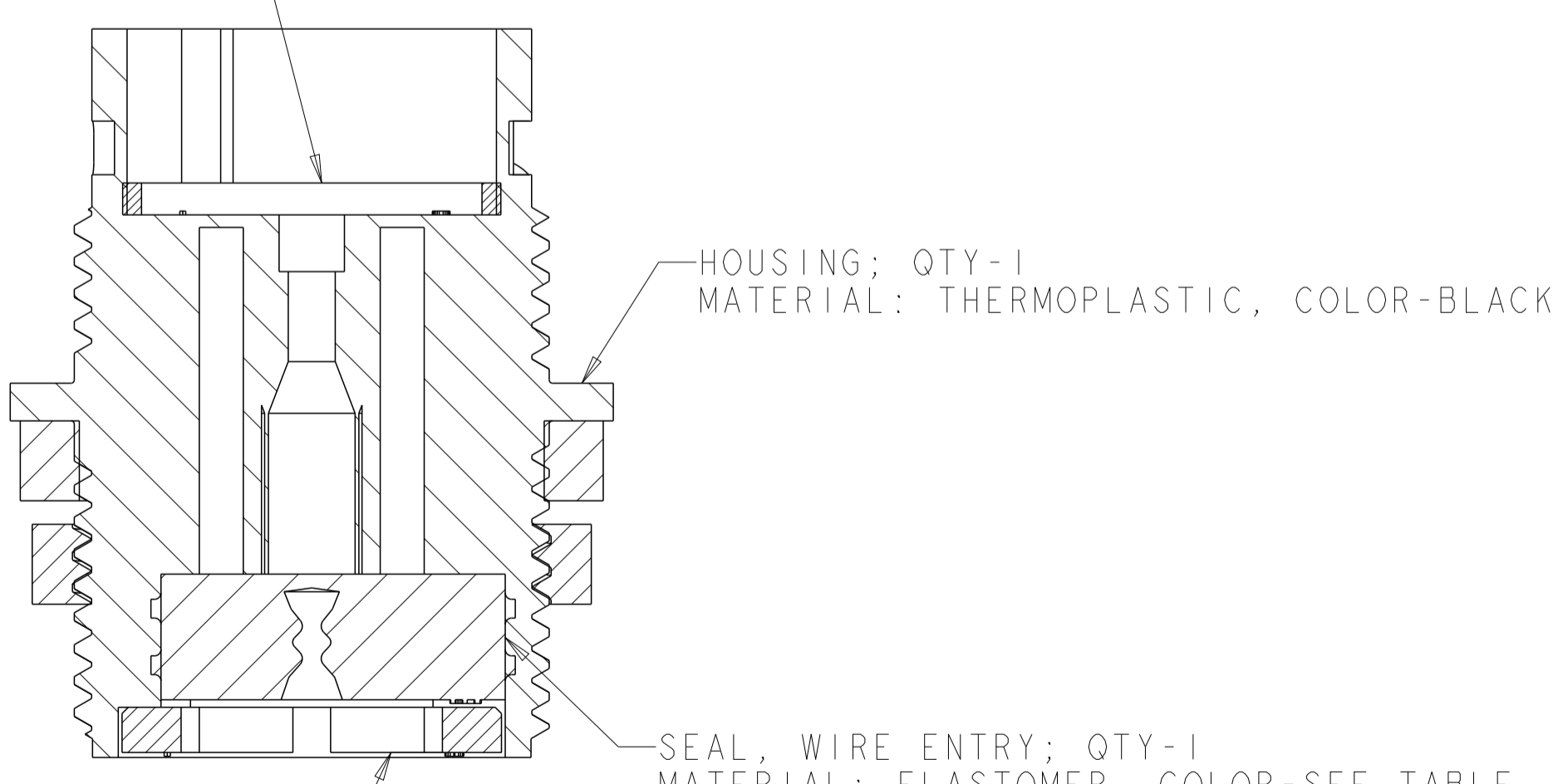


SEAL, PANEL, SHOWN FOR REFERENCE ONLY, TO BE ORDERED SEPARATELY, PART #1445420-02

JAM NUT, SHOWN FOR REFERENCE ONLY, TO BE ORDERED SEPARATELY, PART # 1445904-1

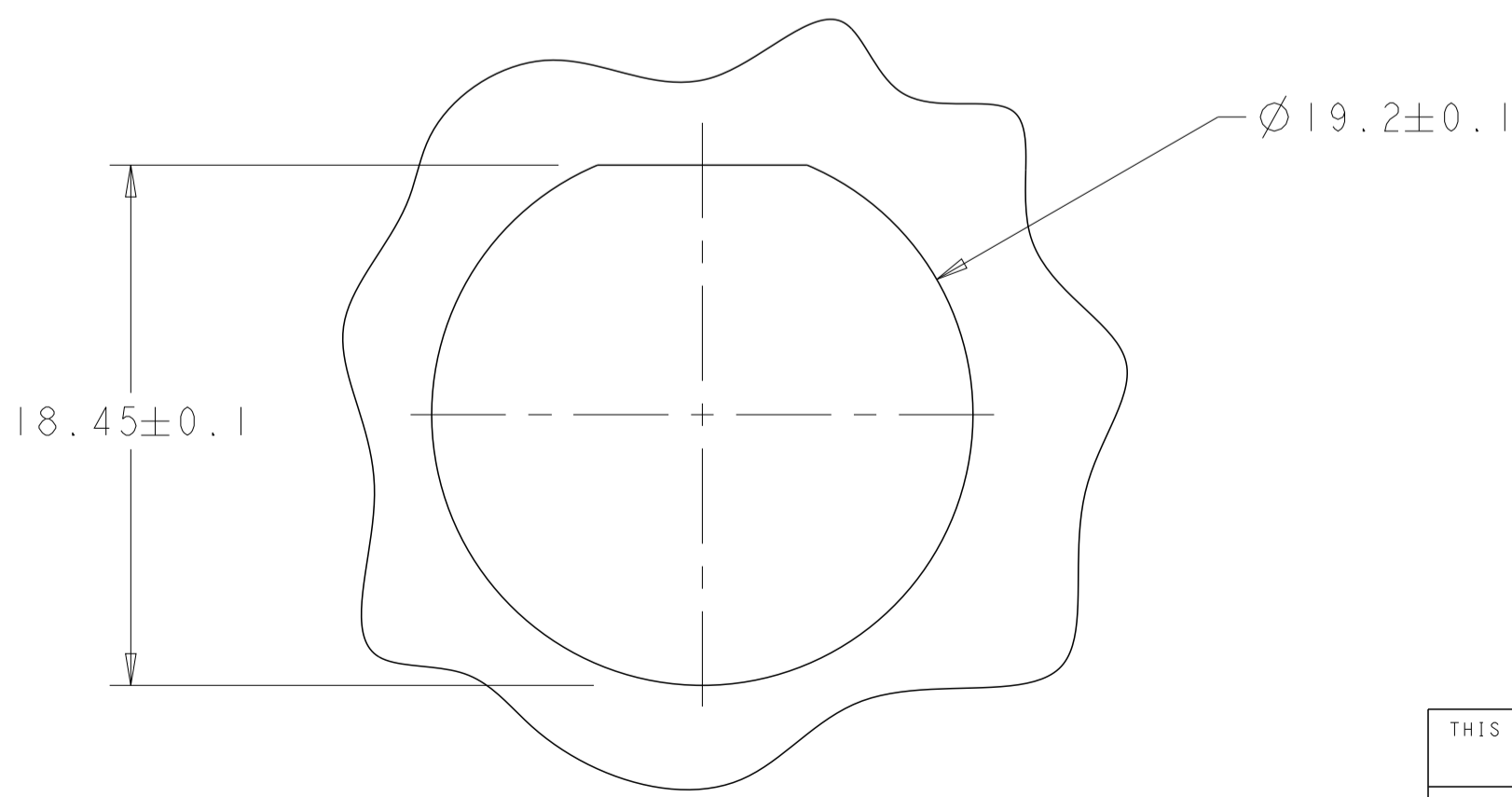


SEAL, PERIPHERAL; QTY-1
 MATERIAL: ELASTOMER, COLOR-GRAY



SECTION X-X

- 1. CONNECTOR CAN BE FRONT OR REAR PANEL MOUNTED.
- 2. MAX PANEL THICKNESS - 3.18



SUGGESTED PANEL CUTOUT 2

SEAL, WIRE ENTRY COLOR	Ø X REF	K REF	PART NUMBER
YELLOW	Ø 0.75	135°	1445823-04
NATURAL	Ø 1.5	115°	1445823-03
NATURAL	Ø 1.5	135°	1445823-02
YELLOW	Ø 0.75	115°	1445823-01

THIS DRAWING IS A CONTROLLED DOCUMENT.

DMN: SHANE WUEST 15OCT2001
 CHK: G DOUTY 15OCT2001
 APVD: H. WAKEEM 13JUN2003

STE TE Connectivity

NAME: ASSEMBLY, RECEPTACLE, SIZE 11, 6 POSITION, PANEL MOUNT, SEALED, MINI CPC

SIZE: A1 CAGE CODE: 100779 DRAWING NO: 1445823

MATERIAL: SEE CALLOUT FINISH: SEE CALLOUT WEIGHT: -

CUSTOMER DRAWING SCALE: 4:1 SHEET: 1 OF 1 REV: B2