

4

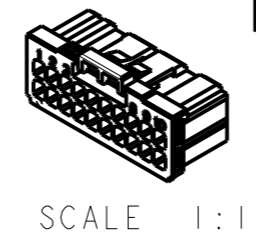
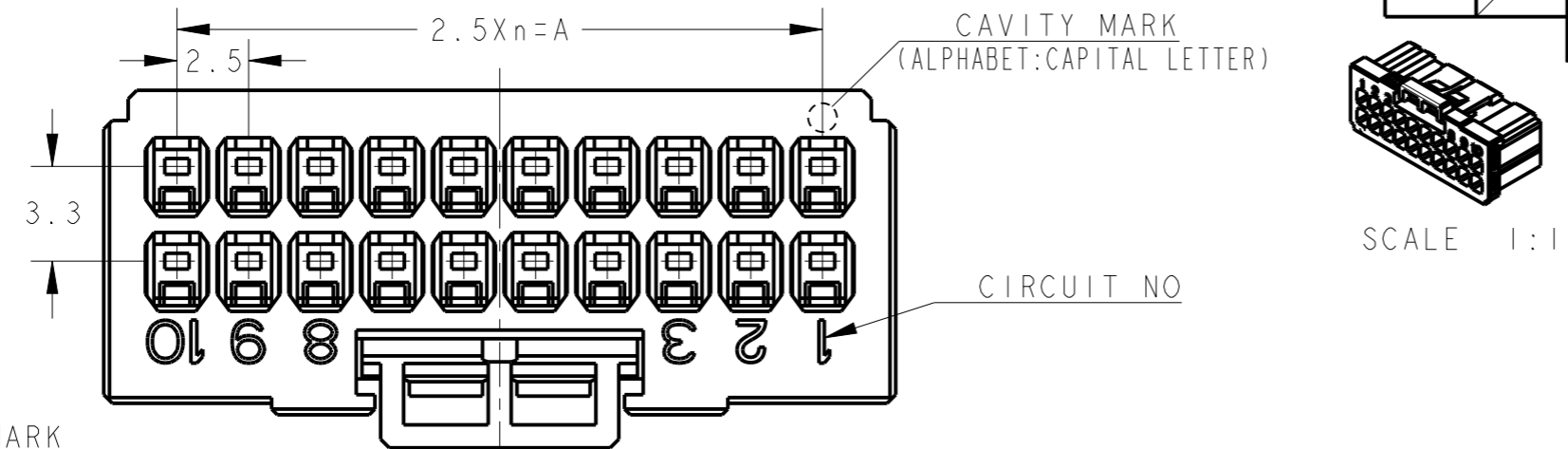
3

2

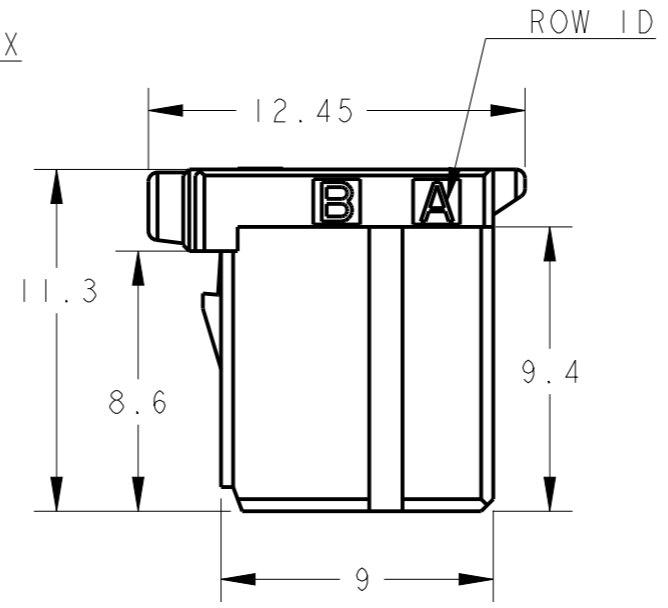
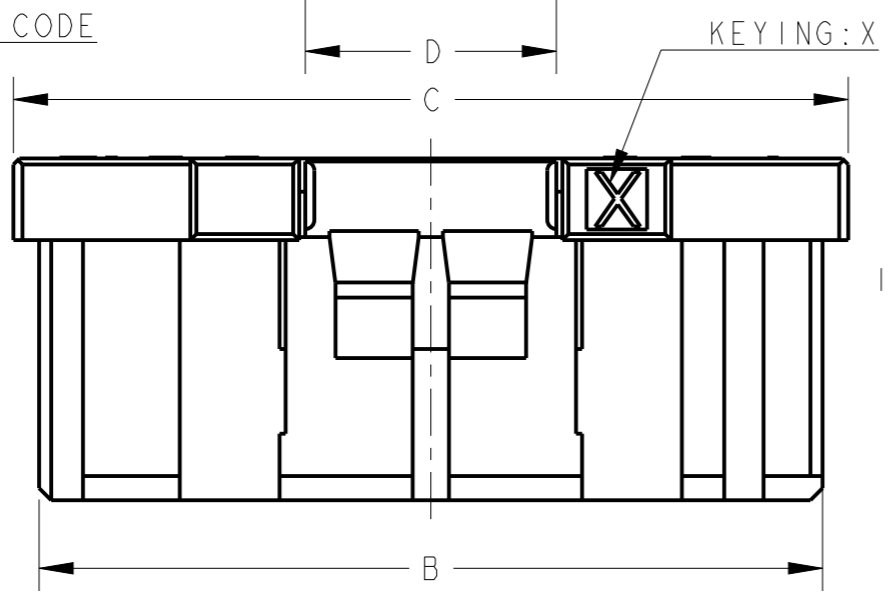
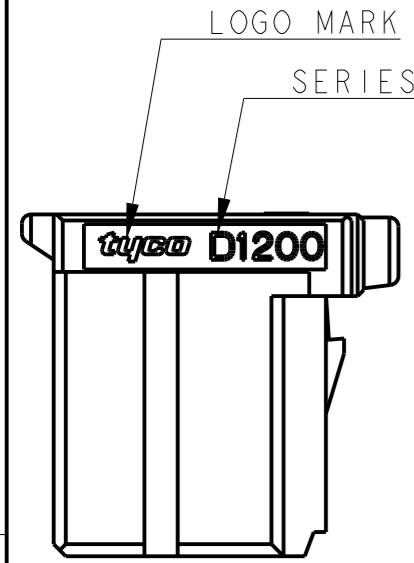
1

THIS DRAWING IS UNPUBLISHED. RELEASED FOR PUBLICATION
 © COPYRIGHT - ALL RIGHTS RESERVED.

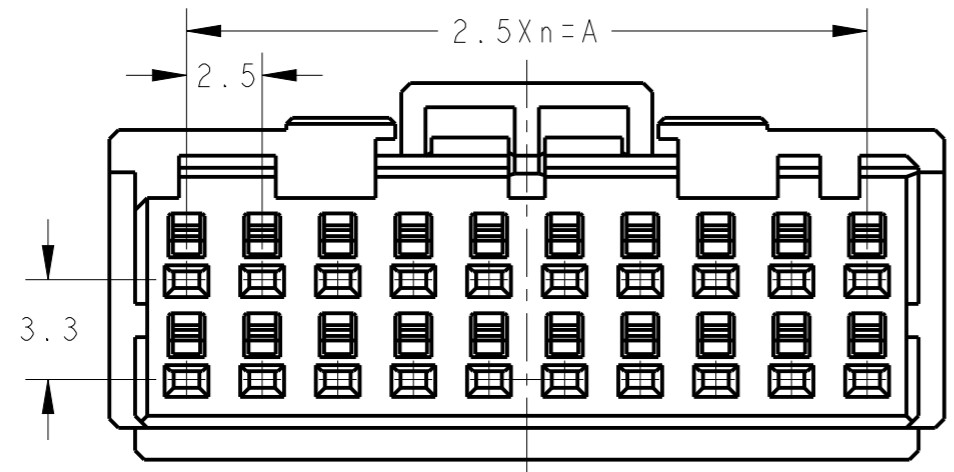
LOC		DIST		REVISIONS			DATE	DWN	APVD
J				P	LTR	DESCRIPTION			
				D		REVISED	06JUN2014	H.O	N.Y



- 1. MATERIAL: GLASS FILED THERMO PLASTIC POLYESTER(94V-0), COLOR: BLACK
- 2. THE SHAPE, SIZE AND POSITION OF THE CHARACTER SHOW THE OUTLINE. THEY DON'T SHOW DETAILS.
- 3. THE KEYING ARRANGEMENT OF "Y" IS SYMMETRIC WITH "X".
- 4. DIFFERENT HEIGHT OF ROCK PROTECTOR. A FINGERTIP IS STOOD AND PUSHED WHEN OPERATING A LOCK LEVER.



- 1. 材料: ガラス入り熱可塑性ポリエステル樹脂(94V-0), 色: 黒
- 2. 文字の形状、大きさ、および位置については、大略を示すものであり、詳細を示すものではありません。
- 3. Y KEY形状は、X KEY形状と左右対称
- 4. ROCK PROTECTORの高さ違いです。ロックレバー操作の際には、指先を立てて押してください。



20	Y	9	22.5	25.9	27.6	8.3	2-1827864-0
20	X	9	22.5	25.9	27.6	8.3	1-1827864-0
16	Y	7	17.5	20.9	22.6	8.3	2-1827864-8
16	X	7	17.5	20.9	22.6	8.3	1-1827864-8
12	Y	5	12.5	15.9	17.6	8.3	2-1827864-6
12	X	5	12.5	15.9	17.6	8.3	1-1827864-6
12	X	5	12.5	15.9	17.6	8.3	9-1827864-6
10	Y	4	10.0	13.4	15.1	3.3	2-1827864-5
10	X	4	10.0	13.4	15.1	3.3	1-1827864-5
8	Y	3	7.5	10.9	12.6	3.3	2-1827864-4
8	X	3	7.5	10.9	12.6	3.3	1-1827864-4
6	Y	2	5.0	8.4	10.1	3.3	2-1827864-3
6	X	2	5.0	8.4	10.1	3.3	1-1827864-3
6	X	2	5.0	8.4	10.1	3.3	9-1827864-3
4	Y	1	2.5	5.9	7.6	3.1	2-1827864-2
4	X	1	2.5	5.9	7.6	3.1	1-1827864-2
POS	KEY	n	A	B	C	D	PART NO



20POS(X-KEY): 1-1827864-0

THIS DRAWING IS A CONTROLLED DOCUMENT.

DWN: T. KUDO 23AUG2005
 CHK: D. MITSUGI 23AUG2005
 APVD: D. MITSUGI 23AUG2005

PRODUCT SPEC: 108-78268, 78298
 APPLICATION SPEC: 114-5377

MATERIAL: 1

TE Connectivity
DYNAMIC D1200D 2.5mm PITCH
 REC HSG
 4-20 POS

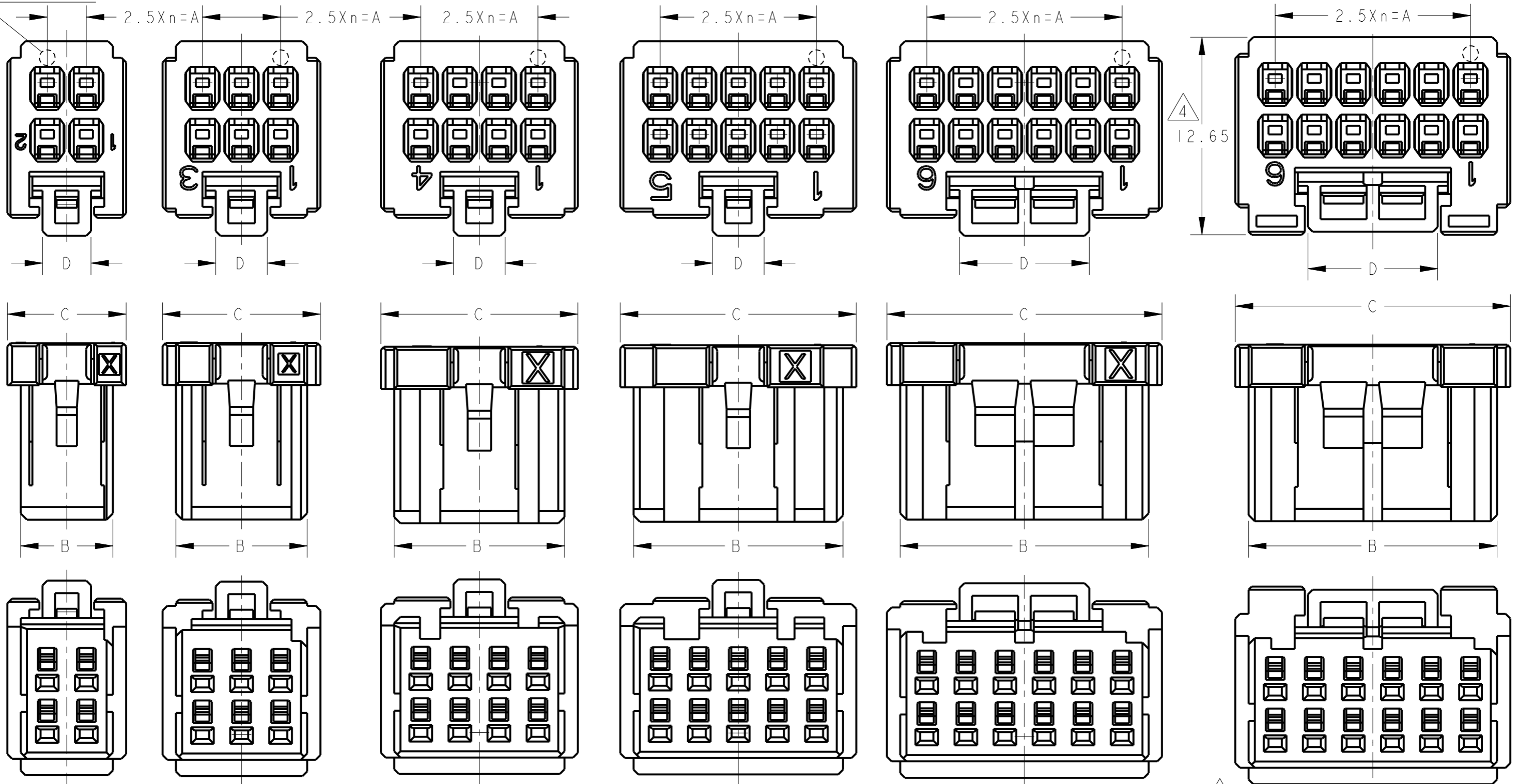
SIZE: A3 CAGE CODE: 00779 DRAWING NO: 1827864 RESTRICTED TO: []

CUSTOMER DRAWING SCALE: 4:1 SHEET: 1 OF 3 REV: D

THIS DRAWING IS UNPUBLISHED. RELEASED FOR PUBLICATION
 © COPYRIGHT - ALL RIGHTS RESERVED.

LOC	DIST	REVISIONS					
J		P	LTR	DESCRIPTION	DATE	DWN	APVD
		-		SEE SHEET 1 OF 3			

CAVITY MARK ONLY 4POS




4POS(X-KEY)
1-1827864-2

6POS(X-KEY)
1-1827864-3

8POS(X-KEY)
1-1827864-4

10POS(X-KEY): 1-1827864-5 12POS(X-KEY): 1-1827864-6

12POS(X-KEY): 9-1827864-6

THIS DRAWING IS A CONTROLLED DOCUMENT.		DWN T. KUDO 23AUG2005	 TE Connectivity	
DIMENSIONS: 單位: 毫米 mm		CHK D. MITSUGI 23AUG2005		
TOLERANCES UNLESS OTHERWISE SPECIFIED:		APVD D. MITSUGI 23AUG2005	NAME 名称 DYNAMIC DI200D 2.5mm PITCH	
一般公差		PRODUCT SPEC	REC HSG	
0 PLC ±		製品規格	4-20 POS	
1 PLC ±		APPLICATION SPEC	SIZE A3	CAGE CODE 00779
2 PLC ±		取付適用規格	DRAWING NO C-1827864	
3 PLC ±		WEIGHT	RESTRICTED TO	
4 PLC ±		CUSTOMER DRAWING	SCALE 4:1 SHEET 2 OF 3 REV D	
ANGLES ±				
FINISH 仕上				
MATERIAL 材料				

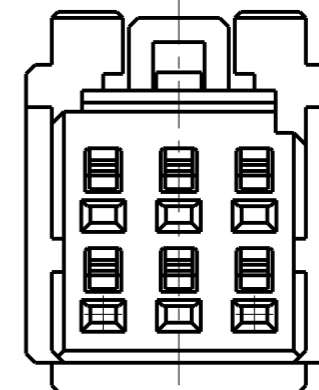
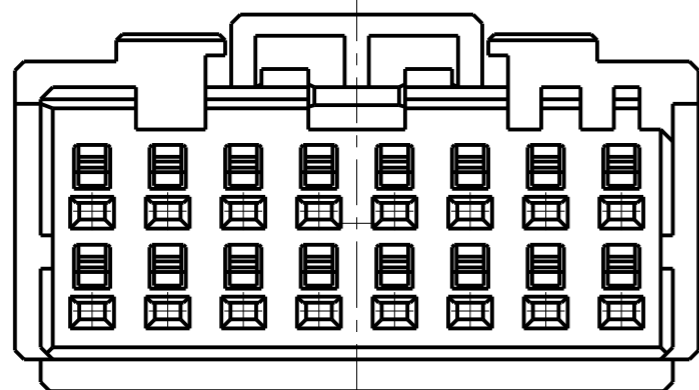
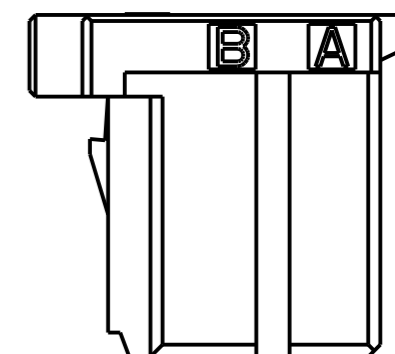
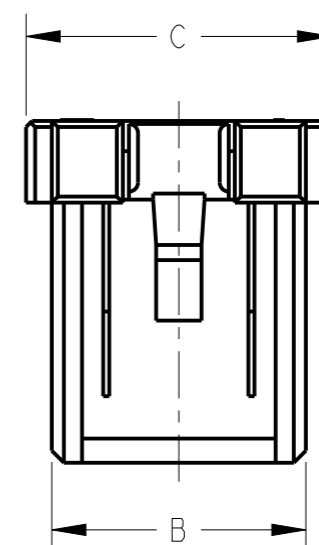
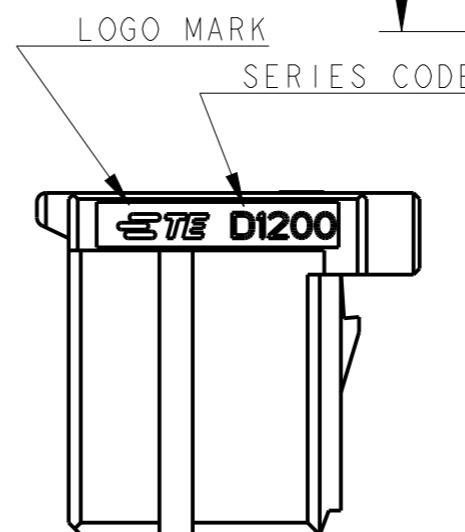
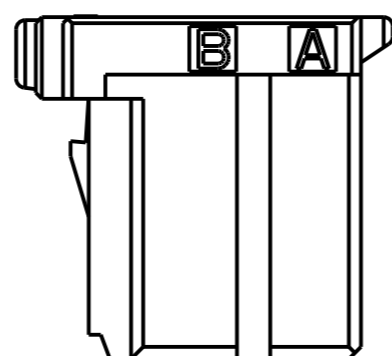
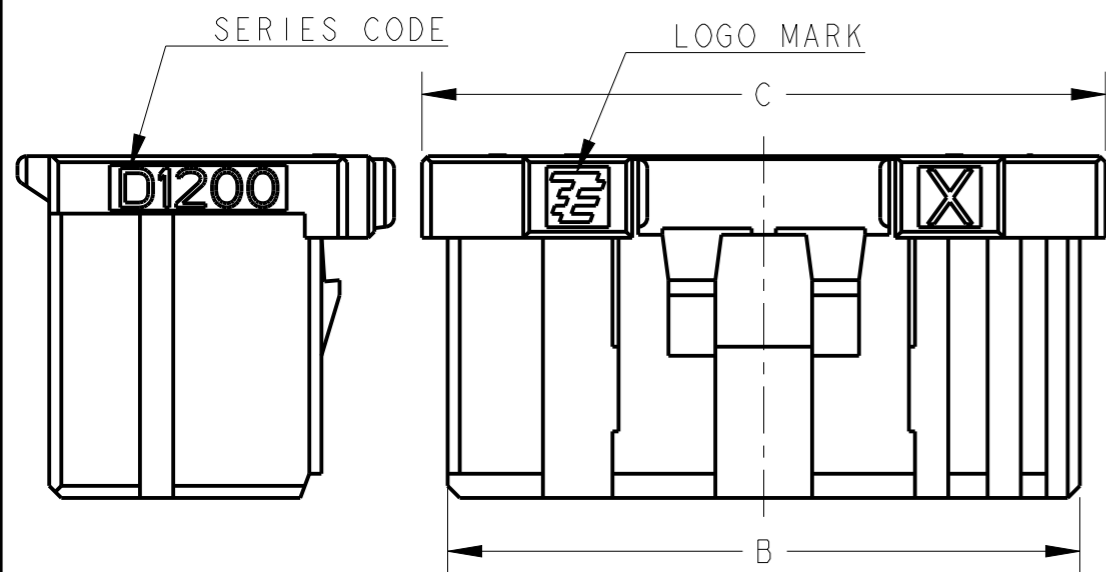
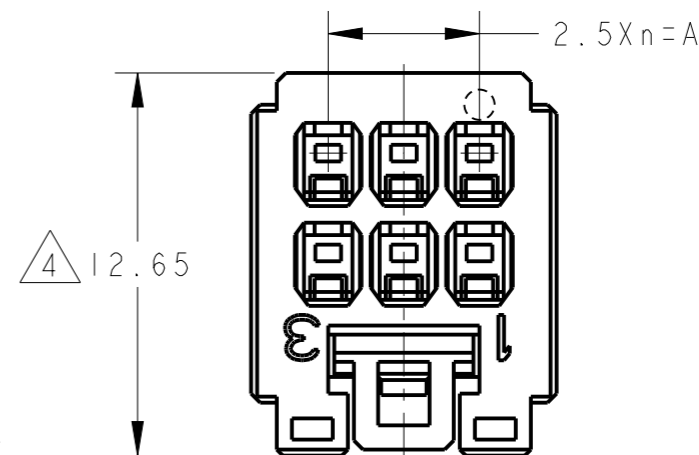
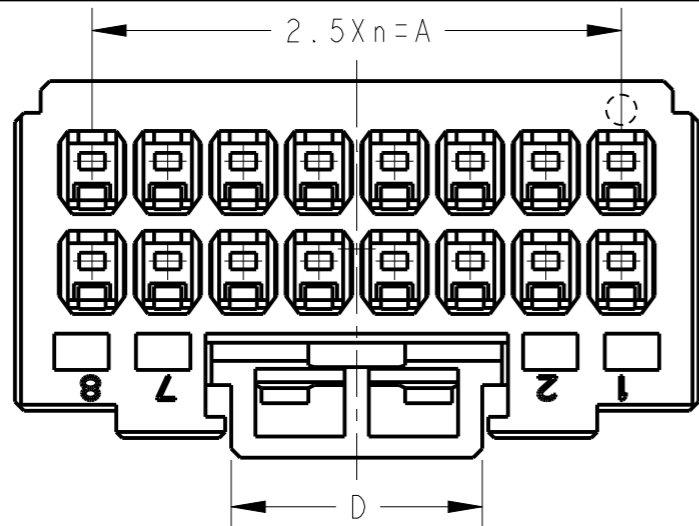
THIS DRAWING IS UNPUBLISHED.

RELEASED FOR PUBLICATION

© COPYRIGHT -

ALL RIGHTS RESERVED.

LOC	DIST	REVISIONS		
J		P	LTR	DATE
		DESCRIPTION		DWN
		SEE SHEET 1		APVD



4 6POS(X-KEY):9-1827864-3

16POS(X-KEY):1-1827864-8

THIS DRAWING IS A CONTROLLED DOCUMENT.		DWN T. KUDO 23AUG2005	 TE Connectivity	
DIMENSIONS: 単位: 耗 mm		CHK D. MITSUGI 23AUG2005		
TOLERANCES UNLESS OTHERWISE SPECIFIED:		APVD D. MITSUGI 23AUG2005	NAME 名称 DYNAMIC D1200D 2.5mm PITCH	
一般公差		PRODUCT SPEC	REC HSG	
0 PLC ±		108-78268,78298	4-20 POS	
1 PLC ±		APPLICATION SPEC	SIZE	CAGE CODE
2 PLC ±		取付適用規格	A3	00779
3 PLC ±		114-5377	DRAWING NO	
4 PLC ±		WEIGHT	C=1827864	
ANGLES ±		CUSTOMER DRAWING	RESTRICTED TO	
FINISH 仕上		SCALE 尺度 4:1	SHEET 3 OF 3	
MATERIAL 材料		REV D		