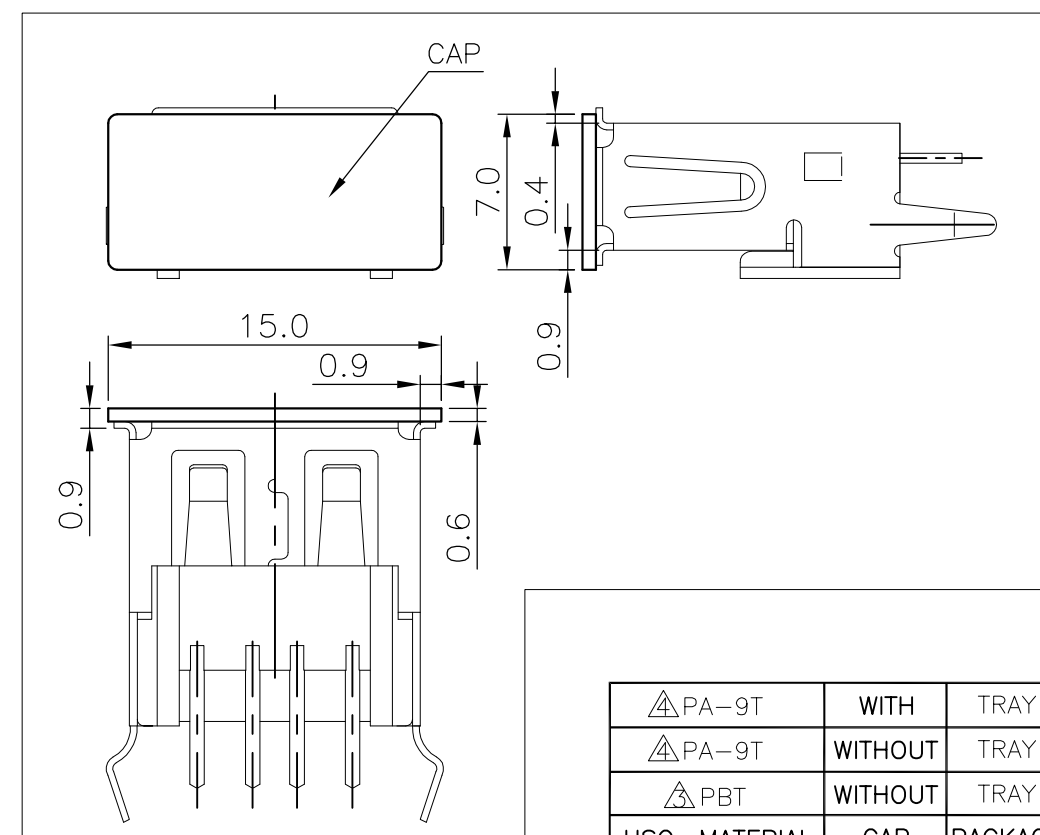
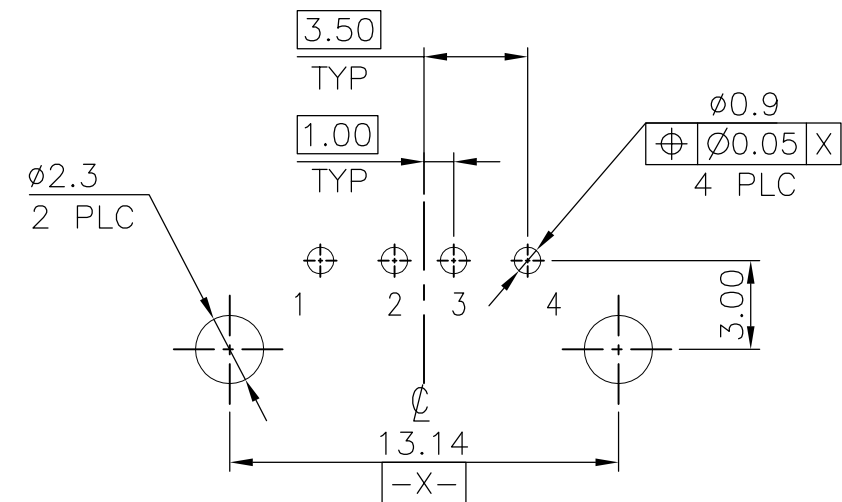
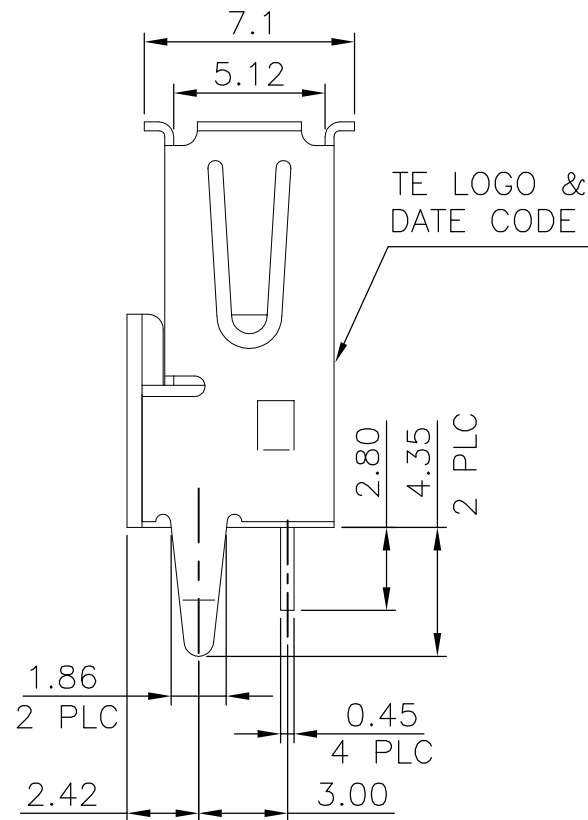
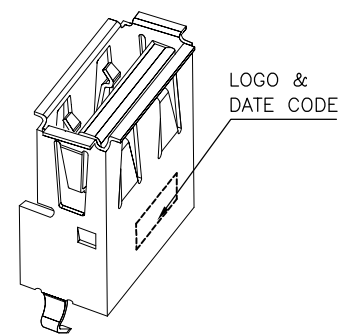
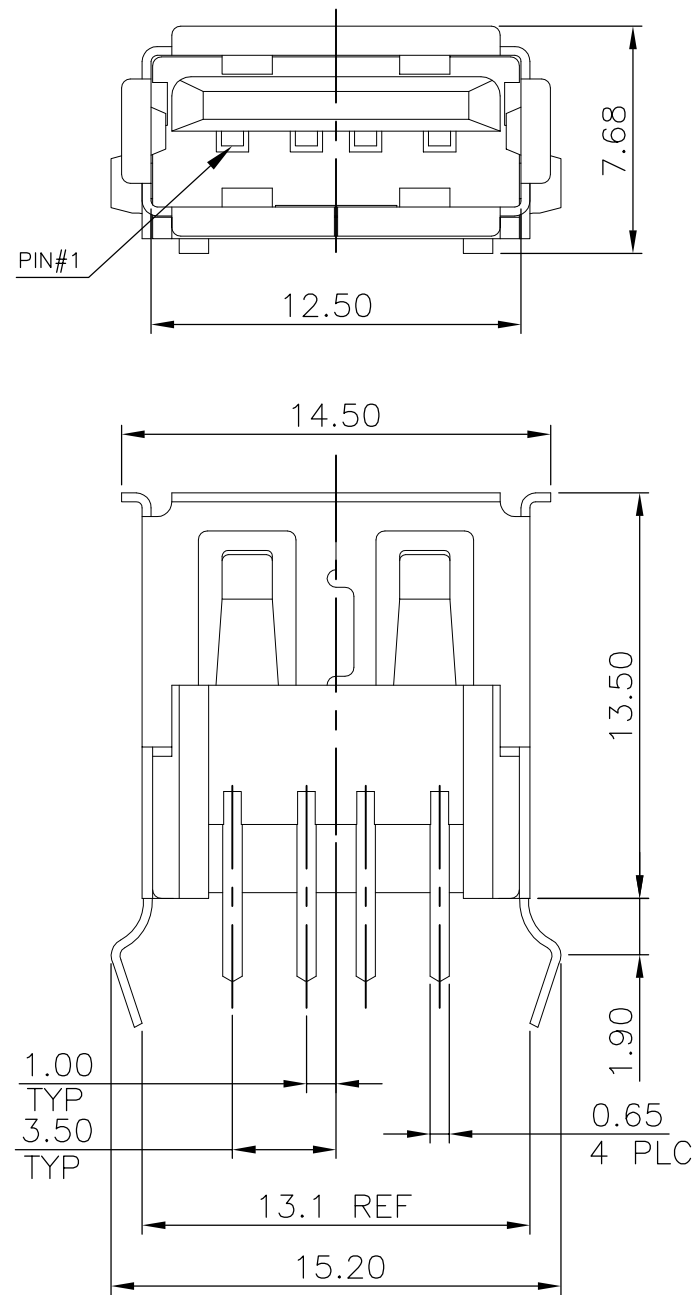


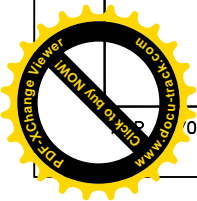
LOC	DIST	REVISIONS			
P	LTR	DESCRIPTION	DATE	DWN	APVD
DW	/	D2	ECR-15-011655	11AUG15	JL WK

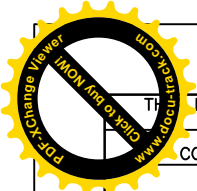


NOTES:

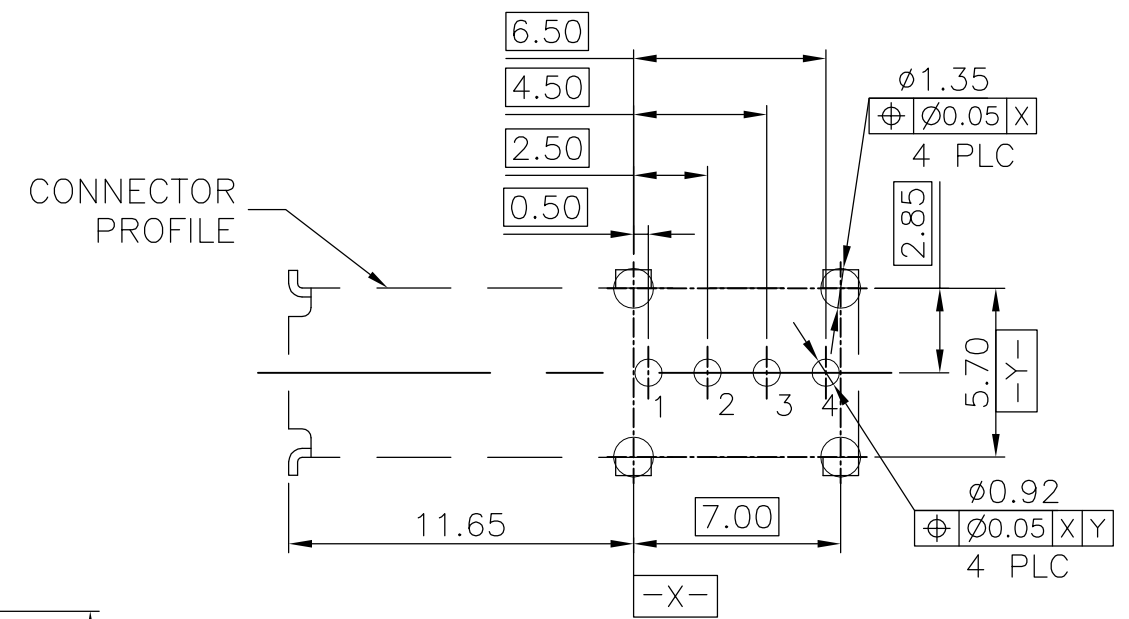
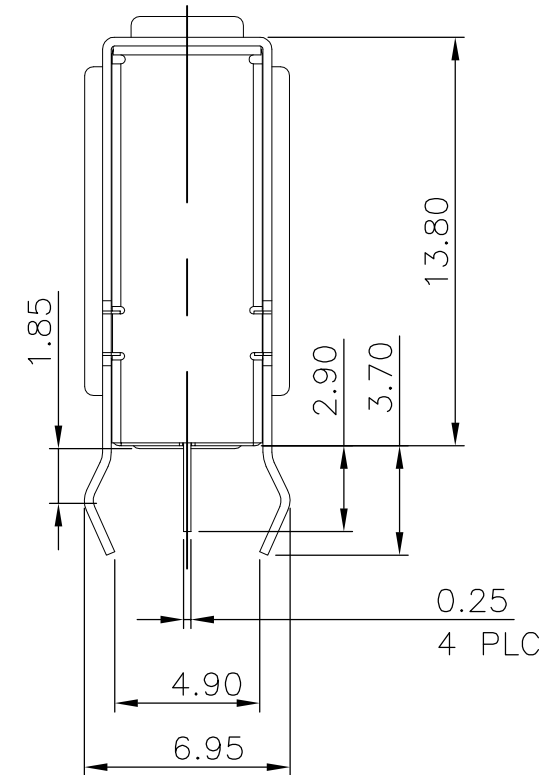
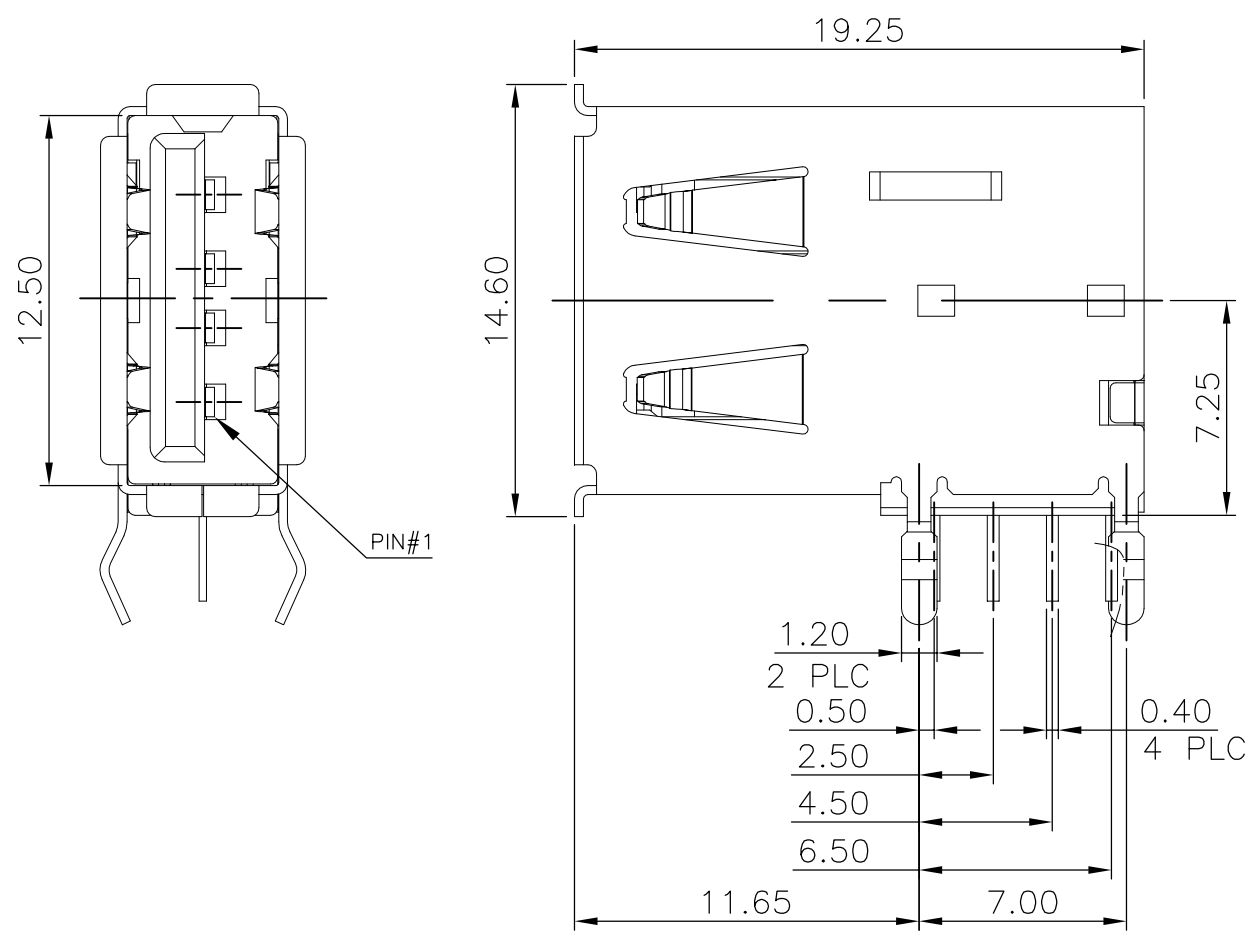
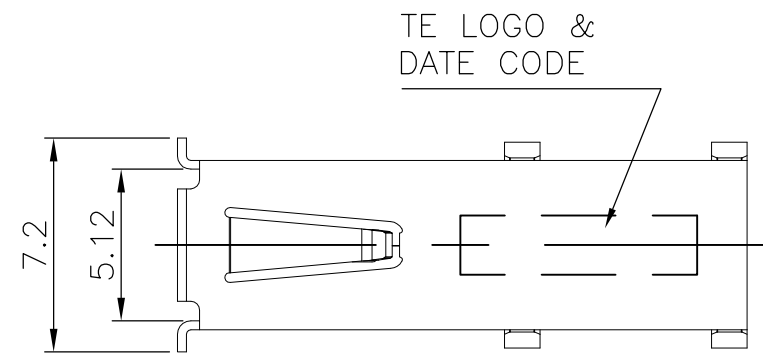
- MATERIAL:  
 HOUSING: THERMOPLASTIC (SEE TABLE), WITH 30% GF. UL 94V-0 RATED, BLACK COLOR.  
 CAP: THERMOPLASTIC HIGH TEMP WITH 30%GF, UL 94V-0, WHITE COLOR.  
 CONTACT: PHOSPHOR BRONZE.  
 SHIELD: BRASS.
- FINISH :  
 CONTACT: 0.762 $\mu$ m [30 $\mu$ "] MIN. GOLD PLATING ON CONTACT AREA.  
 3.048 $\mu$ m [120 $\mu$ "] MIN. MATTE-TIN PLATING ON SOLDER TAILS.  
 WITH ENTIRE CONTACT UNDERPLATED 1.27 $\mu$ m [50 $\mu$ "] MIN. NICKEL  
 SHIELD: 0.762 $\mu$ m [30 $\mu$ "] MIN. NICKEL PLATING WITH  
 0.762 $\mu$ m [30 $\mu$ "] MIN. Cu UNDERPLATING OVERALL
- WAVE SOLDER CAPABLE TO 240°C PER TE TEST SPEC. 109-202, CONDITION A.
- REFLOW SOLDER CAPABLE TO 260°C PER TE TEST SPEC. 109-201, CONDITION B.
- TID NUMBER IS 61000806 FOR USB 2.0 SPEC.

THIS DRAWING IS A CONTROLLED DOCUMENT.		DWN	O. HU	18MAR2005	TE Connectivity NAME USB CONNECTOR, A SERIES, VERTICAL, DIP TYPE											
DIMENSIONS: MM		CHK	S. HOU	18MAR2005												
TOLERANCES UNLESS OTHERWISE SPECIFIED:		APVD	W.J. KE	18MAR2005												
<table border="0"> <tr><td>0 PLC</td><td>± -</td></tr> <tr><td>1 PLC</td><td>± 0.35</td></tr> <tr><td>2 PLC</td><td>± 0.25</td></tr> <tr><td>3 PLC</td><td>± 0.15</td></tr> <tr><td>4 PLC</td><td>± -</td></tr> <tr><td>ANGLES</td><td>± 3'</td></tr> </table>		0 PLC	± -	1 PLC		± 0.35	2 PLC	± 0.25	3 PLC	± 0.15	4 PLC	± -	ANGLES	± 3'	PRODUCT SPEC	
0 PLC	± -															
1 PLC	± 0.35															
2 PLC	± 0.25															
3 PLC	± 0.15															
4 PLC	± -															
ANGLES	± 3'															
MATERIAL		FINISH		APPLICATION SPEC	501-57638											
SEE NOTE		SEE NOTE		WEIGHT	1.70 GRAMS											
CUSTOMER DRAWING				SCALE	-											
SIZE		CAGE CODE	DRAWING NO	RESTRICTED TO												
A3		00779	C=1734085													
SHEET				1 OF 9	REV D2											





LOC	DIST	REVISIONS			
P	LTR	DESCRIPTION	DATE	DWN	APVD
DW		SEE SHEET 1.			

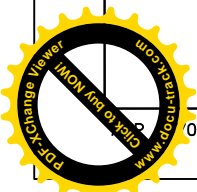


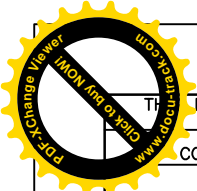
RECOMMEND P.C.B LAYOUT (THICKNESS 1.6mm)  
(COMPONENT SIDE) TOLERANCE ±0.05

- NOTES :
- MATERIAL:  
HOUSING: THERMOPLASTIC (SEE TABLE), WITH 30% GF. UL94V-0 RATED, BLACK COLOR  
CONTACTS: PHOSPHOR BRONZE.  
SHIELD: BRASS.  
REAR SHIELD: SPCC.
  - FINISH:  
CONTACT: 0.762μm [30μ"] MIN. GOLD PLATING ON CONTACT AREA  
3.048μm [120μ"] MIN. BRIGHT TIN PLATING ON SOLDER TAILS WITH ENTIRE CONTACT UNDERPLATED 1.27μm [50μ"] MIN. NICKEL  
SHIELD: 0.762μm [30μ"] MIN. NICKEL PLATING WITH 0.762μm [30μ"] MIN. Cu UNDERPLATING OVERALL
  - WAVE SOLDER CAPABLE TO 240°C PER TE TEST SPEC. 109-202, CONDITION A.
  - REFLOW SOLDER CAPABLE TO 260°C PER TE TEST SPEC. 109-201, CONDITION B.
  - TID NUMBER IS 61000806 FOR USB 2.0 SPEC.
  - LOW HALOGEN SPECIFICATION:  
CHLORINE(Cl): 900ppm MAX.  
BROMINE(Br): 900ppm MAX.

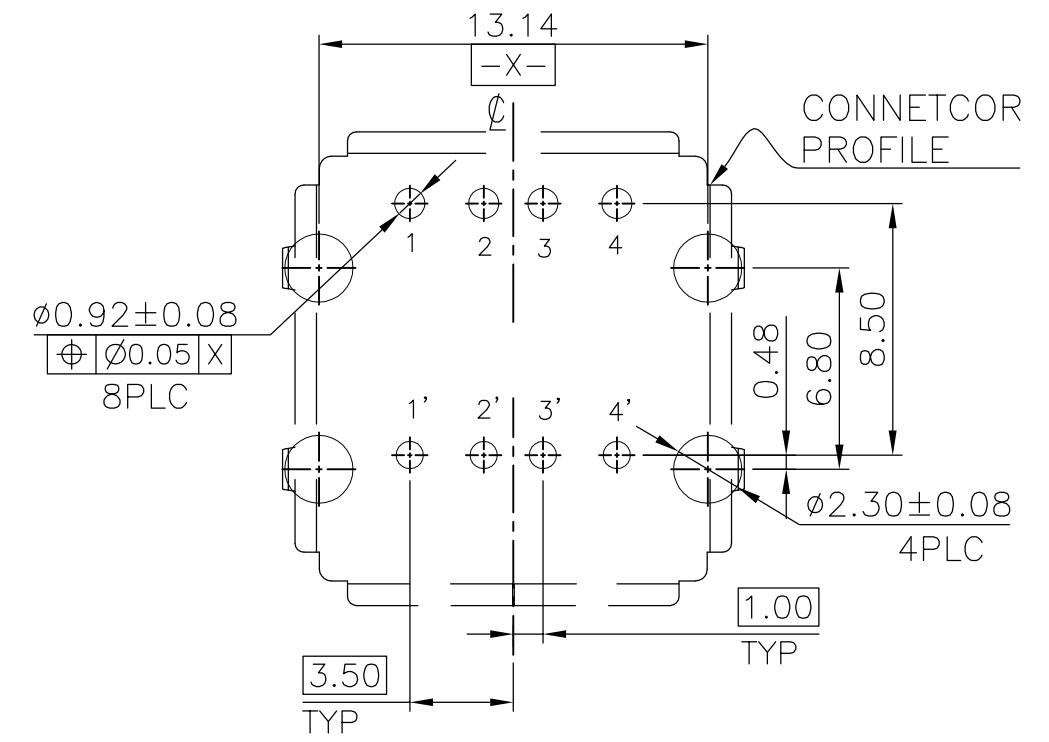
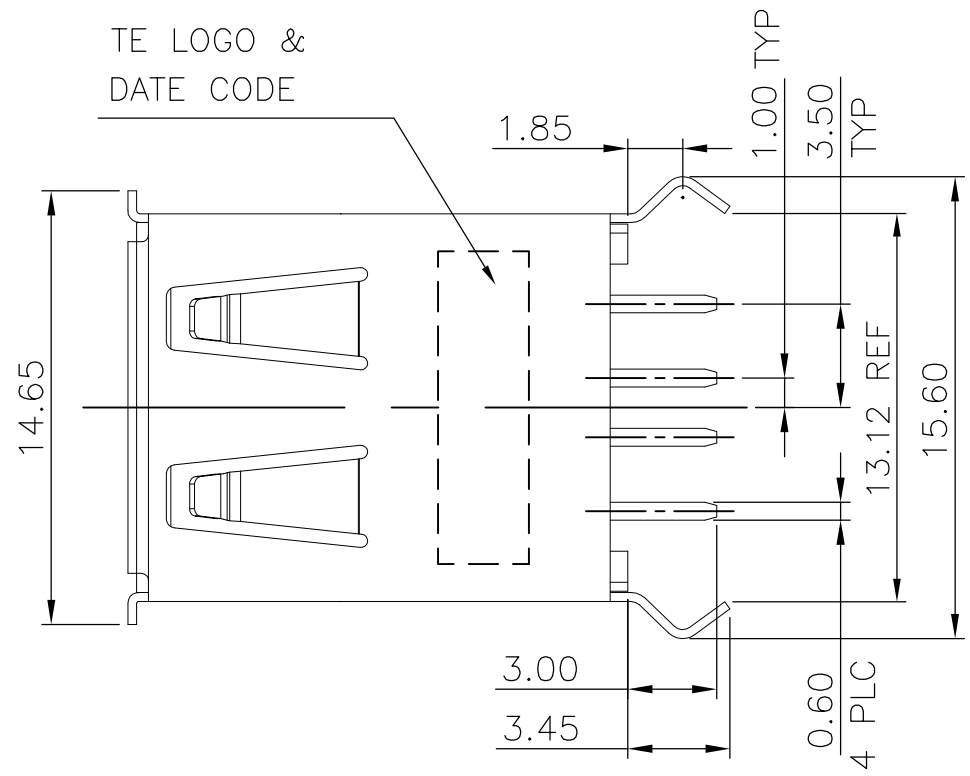
OBSOLETE	⚠	LCP	TRAY	1-1734085-3
OBSOLETE	⚠	PA-9T	TRAY	1-1734085-2
OBSOLETE	⚠	PBT	TRAY	1-1734085-1
		HSG. MATERIAL	PACKAGE	PART NUMBER

THIS DRAWING IS A CONTROLLED DOCUMENT.		DWN	TE Connectivity		
DIMENSIONS: MM		CHK			
TOLERANCES UNLESS OTHERWISE SPECIFIED:		APVD	NAME		
0 PLC ± -		PRODUCT SPEC	USB CONNECTOR, A SERIES, VERTICAL, DIP TYPE		
1 PLC ± 0.35		APPLICATION SPEC			
2 PLC ± 0.25		WEIGHT 2.8 GRAMS	SIZE A3	CAGE CODE 00779	DRAWING NO C=1734085
3 PLC ± 0.15		CUSTOMER DRAWING	RESTRICTED TO		
4 PLC ± -			SCALE -	SHEET 2 OF 9	REV D2
ANGLES ± 3'					
MATERIAL SEE NOTE					
FINISH SEE NOTE					

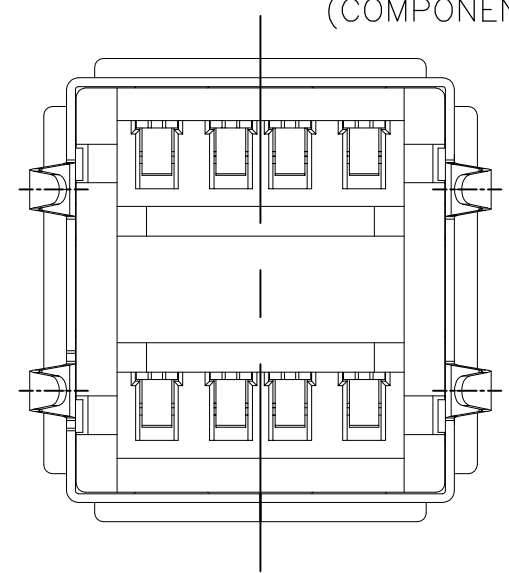
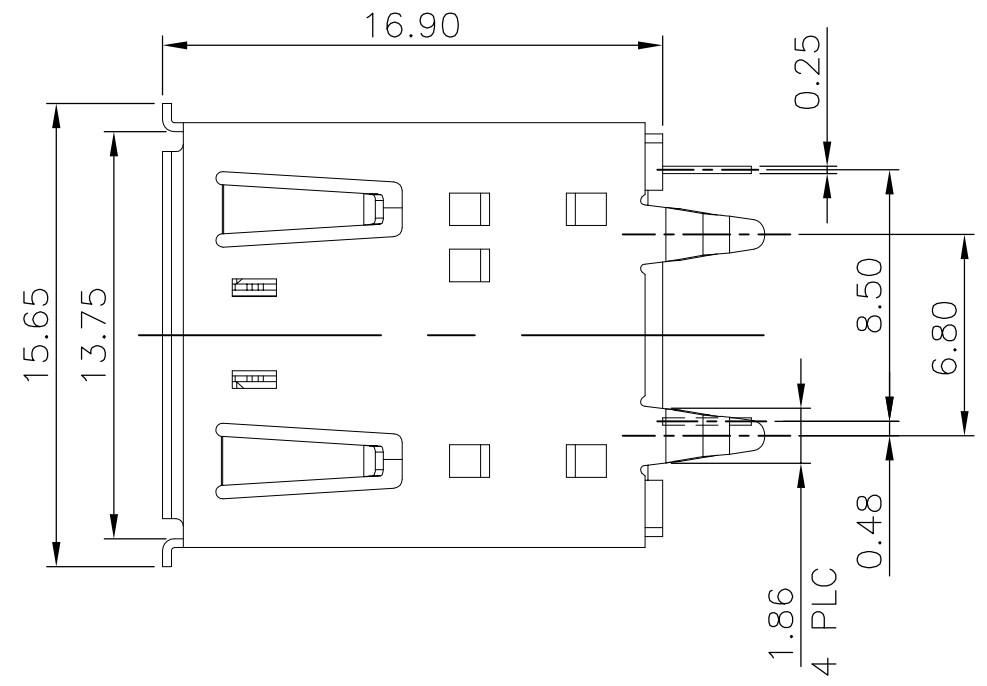
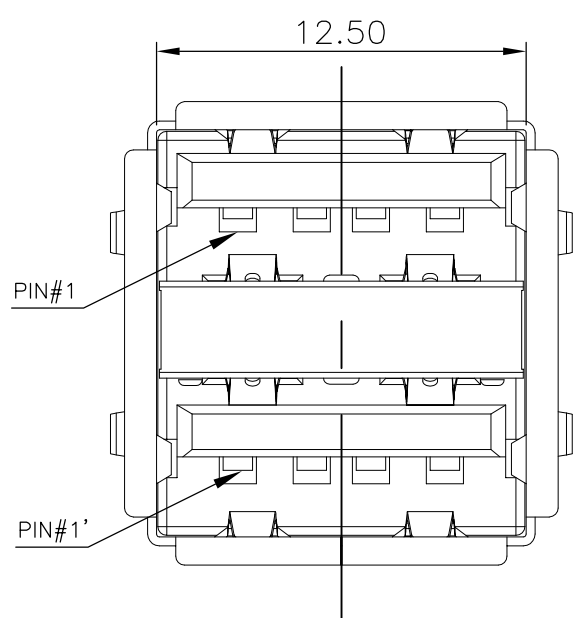




LOC	DIST	REVISIONS			
P	LTR	DESCRIPTION	DATE	DWN	APVD
DW		SEE SHEET 1.			



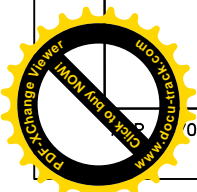
RECOMMEND P.C.B LAYOUT (THICKNESS 1.6mm)  
(COMPONENT SIDE) TOLERANCE ±0.05mm

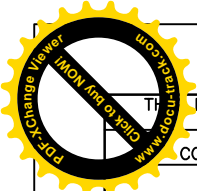


- NOTES:
- MATERIAL:  
HOUSING: THERMOPLASTIC (SEE TABLE), WITH 30% GF. UL 94V-0 RATED, BLACK COLOR  
CONTACT: BRASS.  
SHIELD: BRASS.
  - FINISH :  
CONTACT: 0.762µm [30µ"] MIN. GOLD PLATING ON CONTACT AREA.  
3.048µm [120µ"] MIN. BRIGHT TIN PLATING ON SOLDER TAILS WITH ENTIRE CONTACT UNDERPLATED 1.27µm [50µ"] MIN. NICKEL  
SHIELD: 0.762µm [30µ"] MIN. NICKEL PLATING WITH 0.762µm [30µ"] MIN. Cu UNDERPLATING OVERALL
  - WAVE SOLDER CAPABLE TO 240°C PER TE TEST SPEC. 109-202, CONDITION A.
  - REFLOW SOLDER CAPABLE TO 260°C PER TE TEST SPEC. 109-201, CONDITION B.
  - TID NUMBER IS 61000806 FOR USB 2.0 SPEC.

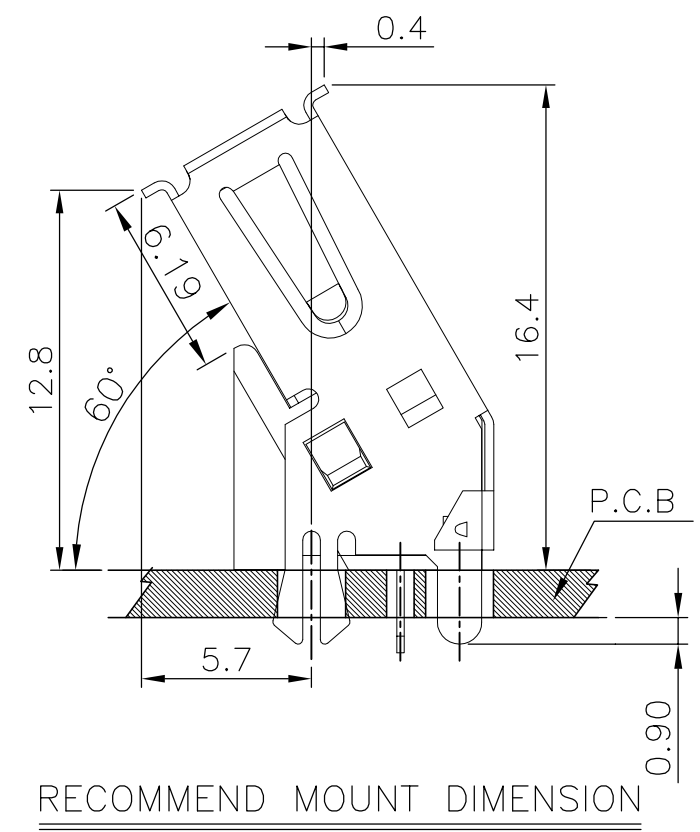
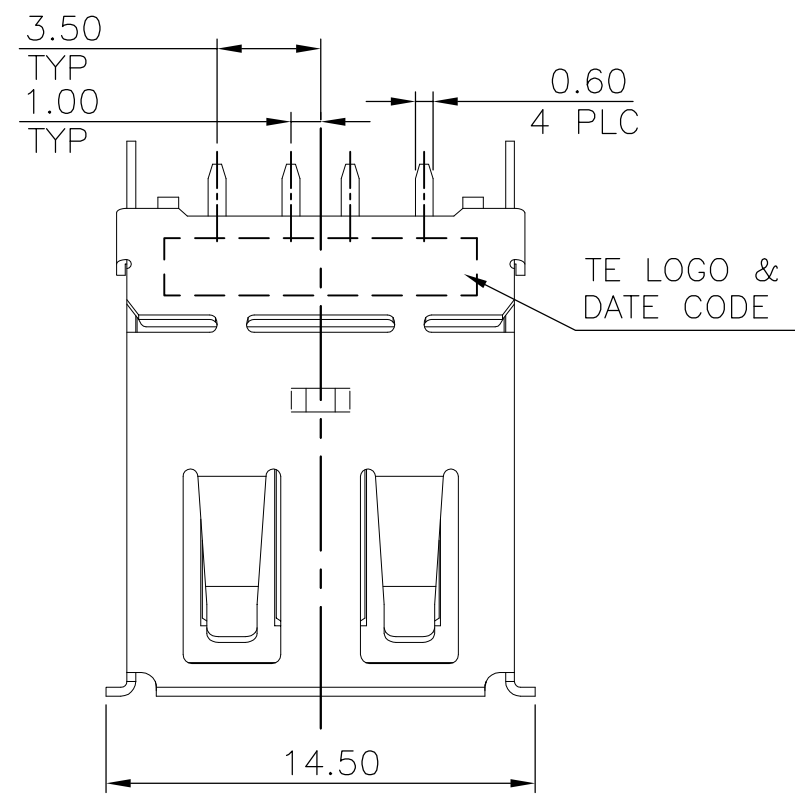
OBSOLETE	PA-9T	TRAY	2-1734085-2
OBSOLETE	PBT	TRAY	2-1734085-1
	HSG. MATERIAL	PACKAGE	PART NUMBER

THIS DRAWING IS A CONTROLLED DOCUMENT.		DWN		TE Connectivity	
DIMENSIONS: MM		CHK			
TOLERANCES UNLESS OTHERWISE SPECIFIED:		APVD		NAME	
0 PLC ± - 1 PLC ± 0.35 2 PLC ± 0.25 3 PLC ± 0.15 4 PLC ± - ANGLES ± 3°		PRODUCT SPEC		USB CONNECTOR, A SERIES, VERTICAL, DIP TYPE	
MATERIAL SEE NOTE		FINISH SEE NOTE		APPLICATION SPEC	
		WEIGHT 4.57 GRAMS		SIZE A3	
		CUSTOMER DRAWING		CAGE CODE 00779	
				DRAWING NO. 1734085	
				RESTRICTED TO	
				SCALE -	
				SHEET 3 OF 9	
				REV D2	

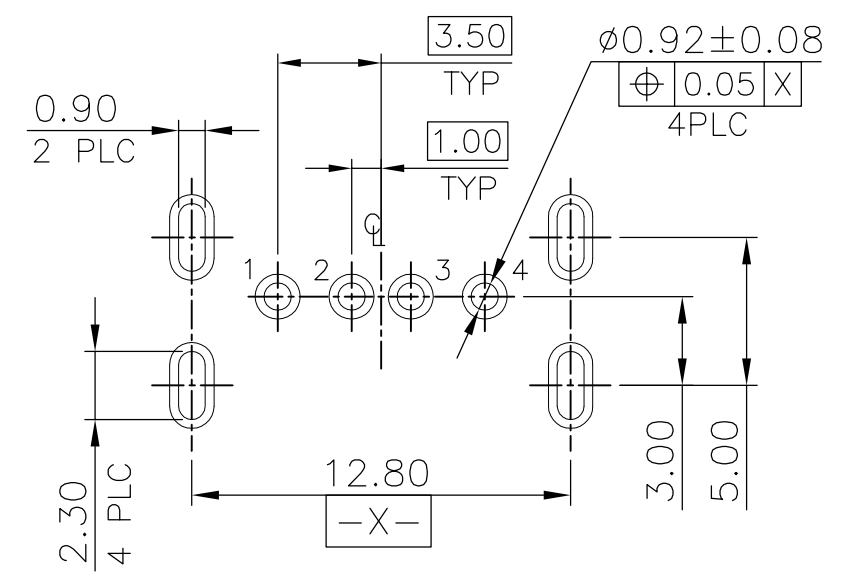
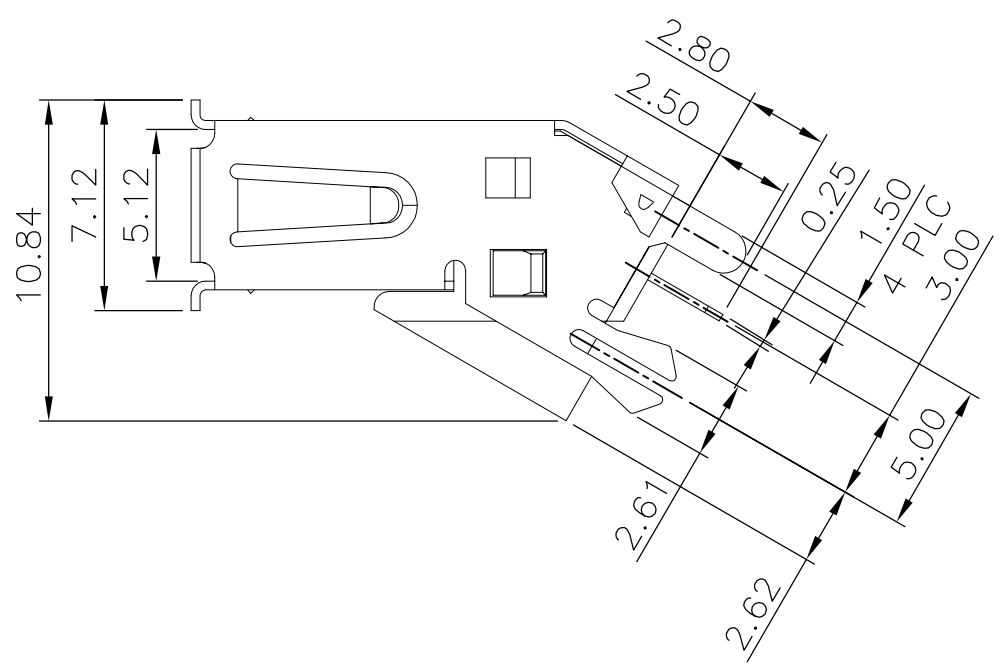
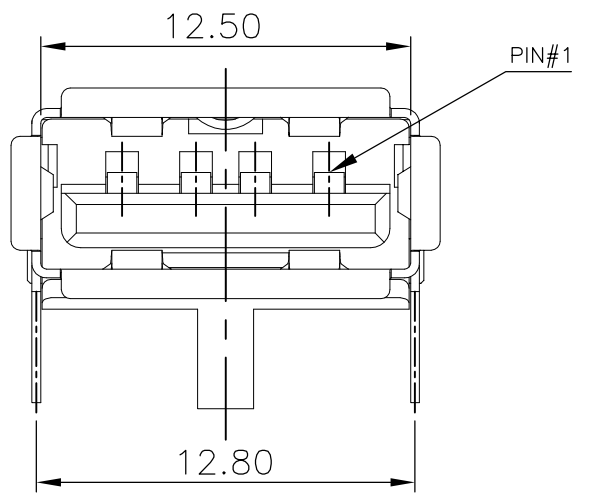




LOC	DIST	REVISIONS			
P	LTR	DESCRIPTION	DATE	DWN	APVD
DW	/	SEE SHEET 1.			



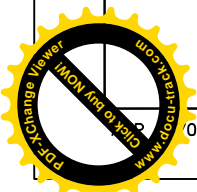
- NOTES:
- MATERIAL:  
 HOUSING: THERMOPLASTIC (SEE TABLE), WITH 30% GF.  
 UL 94V-0 RATED, BLACK COLOR  
 CONTACT: PHOSPHOR BRONZE.  
 SHIELD: BRASS.
  - FINISH:  
 CONTACT: 0.762μm [30μ"] MIN. GOLD PLATING ON CONTACT AREA.  
 3.048μm [120μ"] MIN. BRIGHT TIN PLATING ON  
 SOLDERTAILS WITH ENTIRE CONTACT UNDERPLATED  
 1.27μm [50μ"] MIN. NICKEL  
 SHIELD: 0.762μm [30μ"] MIN. NICKEL PLATING WITH  
 0.762μm [30μ"] MIN. Cu UNDER PLATING OVERALL
- ⚠ WAVE SOLDER CAPABLE TO 240°C PER TE TEST SPEC.  
 109-202, CONDITION A.  
 ⚠ REFLOW SOLDER CAPABLE TO 260°C PER TE TEST SPEC.  
 109-201, CONDITION B.  
 5. TID NUMBER IS 61000806 FOR USB 2.0 SPEC.

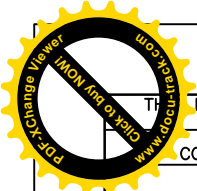


RECOMMEND P.C.B LAYOUT (THICKNESS 1.6mm)  
 (COMPONENT SIDE) TOLERANCE ±0.05mm

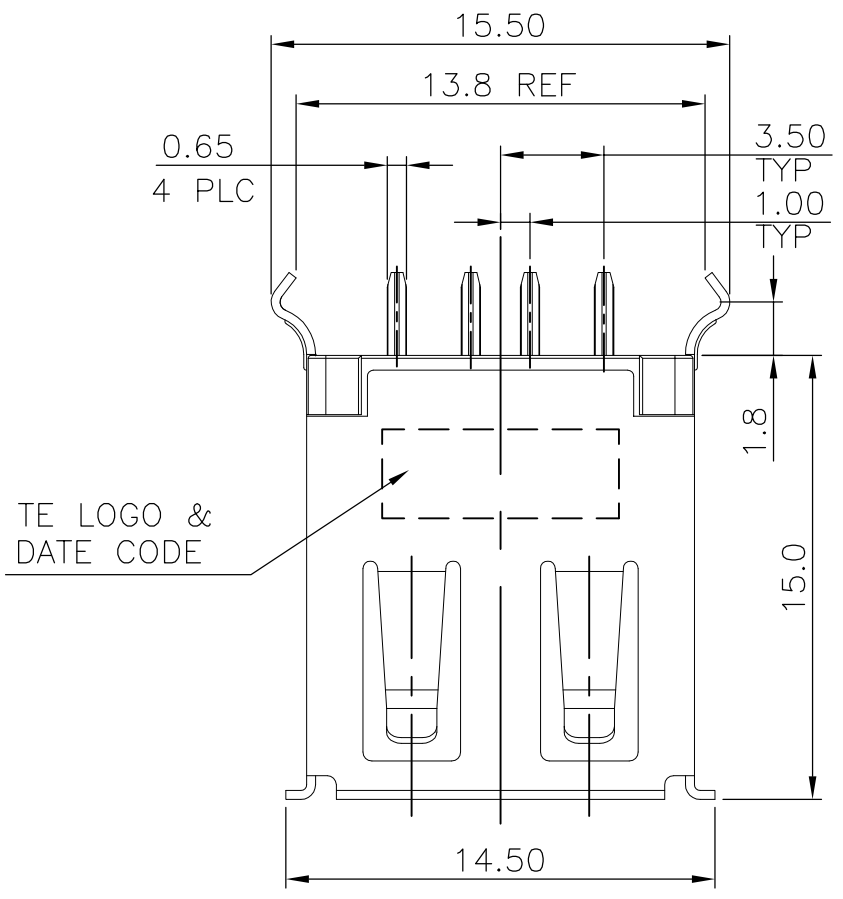
OBSOLETE	⚠ PA-9T	TRAY	3-1734085-2
OBSOLETE	⚠ PBT	TRAY	3-1734085-1
	HSG. MATERIAL	PACKAGE	PART NUMBER

THIS DRAWING IS A CONTROLLED DOCUMENT.		DWN	TE Connectivity USB CONNECTOR, A SERIES, VERTICAL, DIP TYPE					
DIMENSIONS: MM		CHK				NAME		
TOLERANCES UNLESS OTHERWISE SPECIFIED:		APVD				PRODUCT SPEC		
0 PLC ± - 1 PLC ± 0.35 2 PLC ± 0.25 3 PLC ± 0.15 4 PLC ± - ANGLES ± 3°		APVD				APPLICATION SPEC		
MATERIAL	FINISH	WEIGHT	SIZE	CAGE CODE	DRAWING NO	RESTRICTED TO		
SEE NOTE	SEE NOTE	2.16 GRAMS	A3	00779	C=1734085	-		
CUSTOMER DRAWING			SCALE	SHEET	REV			
			-	4 OF 9	D2			



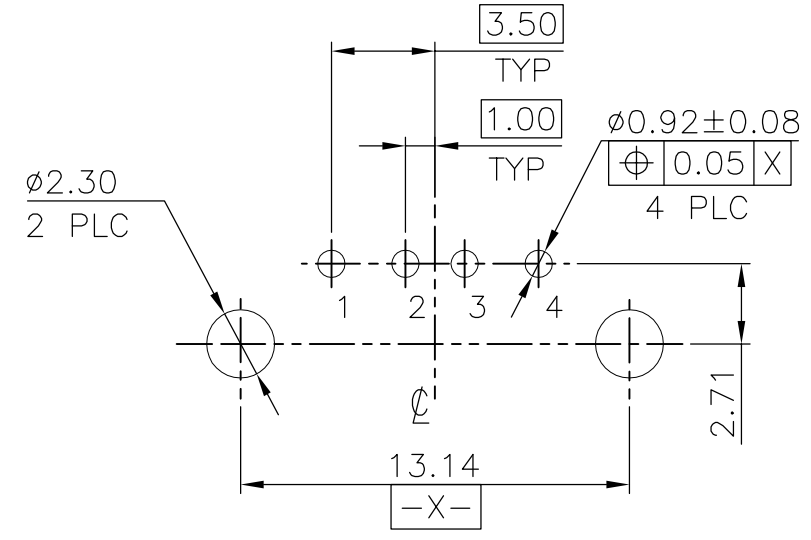
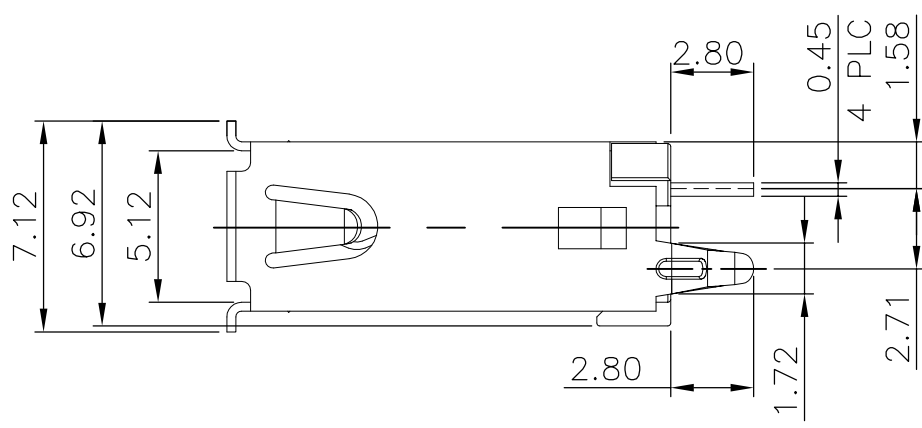
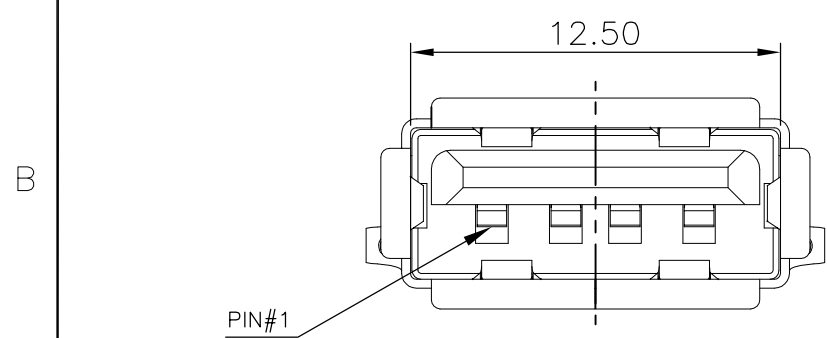


LOC	DIST	REVISIONS			
P	LTR	DESCRIPTION	DATE	DWN	APVD
		SEE SHEET 1.			



TE LOGO &  
DATE CODE

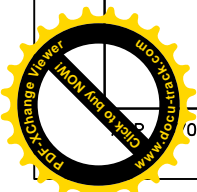
- NOTES:
- MATERIAL:  
 HOUSING: THERMOPLASTIC (SEE TABLE), WITH 30% GF.  
 UL 94V-0 RATED, BLACK: SEE TABLE.  
 CONTACT: PHOSPHOR BRONZE.  
 SHIELD: BRASS.
  - FINISH :  
 CONTACT: 0.762μm [30μ"] MIN. GOLD PLATING ON CONTACT AREA.  
 3.048μm [120μ"] MIN. BRIGHT TIN PLATING ON SOLDER TAILS  
 WITH ENTIRE CONTACT UNDERPLATED 1.27μm [50μ"] MIN. NICKEL.  
 SHIELD: 0.762μm [30μ"] MIN. NICKEL PLATING WITH  
 0.762μm [30μ"] MIN. Cu UNDER PLATING OVERALL
  - WAVE SOLDER CAPABLE TO 240°C PER TE TEST SPEC. 109-202, CONDITION A.
  - REFLOW SOLDER CAPABLE TO 260°C PER TE TEST SPEC. 109-201, CONDITION B.
  - TID NUMBER IS 61000806 FOR USB 2.0 SPEC.

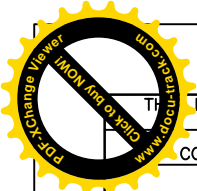


RECOMMEND P.C.B LAYOUT (THICKNESS 1.6mm)  
 (COMPONENT SIDE) TOLERANCE ±0.05mm

NATURE	△PA-9T	TRAY	4-1734085-2
WHITE	△PBT	TRAY	4-1734085-1
HSG. COLOR	HSG. MATERIAL	PACKAGE	PART NUMBER

THIS DRAWING IS A CONTROLLED DOCUMENT.		DWN	TE Connectivity			
DIMENSIONS: MM		CHK				
TOLERANCES UNLESS OTHERWISE SPECIFIED:		APVD	NAME			
0 PLC ± -		PRODUCT SPEC	USB CONNECTOR, A SERIES, VERTICAL, DIP TYPE			
1 PLC ± 0.35		APPLICATION SPEC				
2 PLC ± 0.25		WEIGHT 1.70 GRAMS	SIZE A3	CAGE CODE 00779	DRAWING NO C-1734085	RESTRICTED TO
3 PLC ± 0.15		CUSTOMER DRAWING	SCALE -		SHEET 5 OF 9	REV D2
4 PLC ± -						
ANGLES ± 3'						
MATERIAL SEE NOTE						
FINISH SEE NOTE						





4

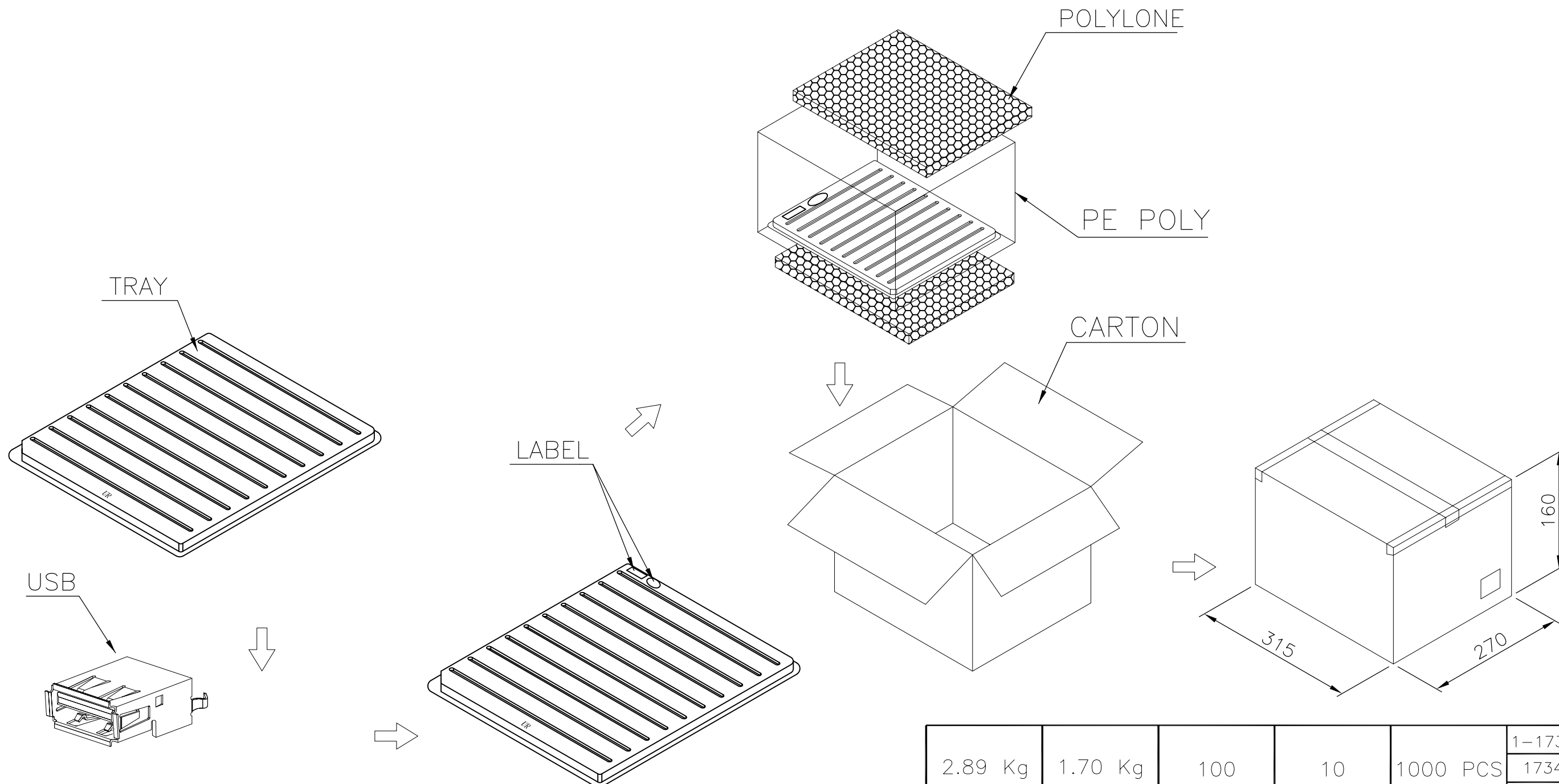
3

2

1

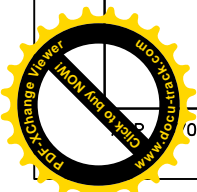
DRAWING IS UNPUBLISHED. RELEASED FOR PUBLICATION AUG ,2006.  
 COPYRIGHT 2009 BY TYCO ELECTRONICS CORPORATION. ALL RIGHTS RESERVED.

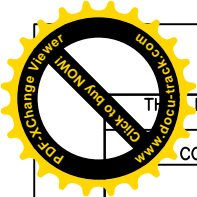
LOC	DIST	REVISIONS				
P	LTR	DESCRIPTION	DATE	DWN	APVD	
		SEE SHEET 1.				



2.89 Kg	1.70 Kg	100	10	1000 PCS	1-1734085-X
					1734085-2
					1734085-1
GROSS WEIGHT	NET WEIGHT	PCS/TRAY	TRAYS /CARTON	QUANTITY	PART NUMBER

THIS DRAWING IS A CONTROLLED DOCUMENT.		DWN		TE Connectivity USB CONNECTOR, A SERIES, VERTICAL, DIP TYPE	
DIMENSIONS: MM		CHK			
		APVD			
TOLERANCES UNLESS OTHERWISE SPECIFIED: 0 PLC ± - 1 PLC ± - 2 PLC ± - 3 PLC ± - 4 PLC ± - ANGLES ± -		PRODUCT SPEC			
MATERIAL		WEIGHT		NAME	
FINISH		CUSTOMER DRAWING		APPLICATION SPEC	
				SIZE CAGE CODE DRAWING NO RESTRICTED TO	
				A3 00779 C-1734085	
				SCALE SHEET 6 OF 9 REV D2	





4

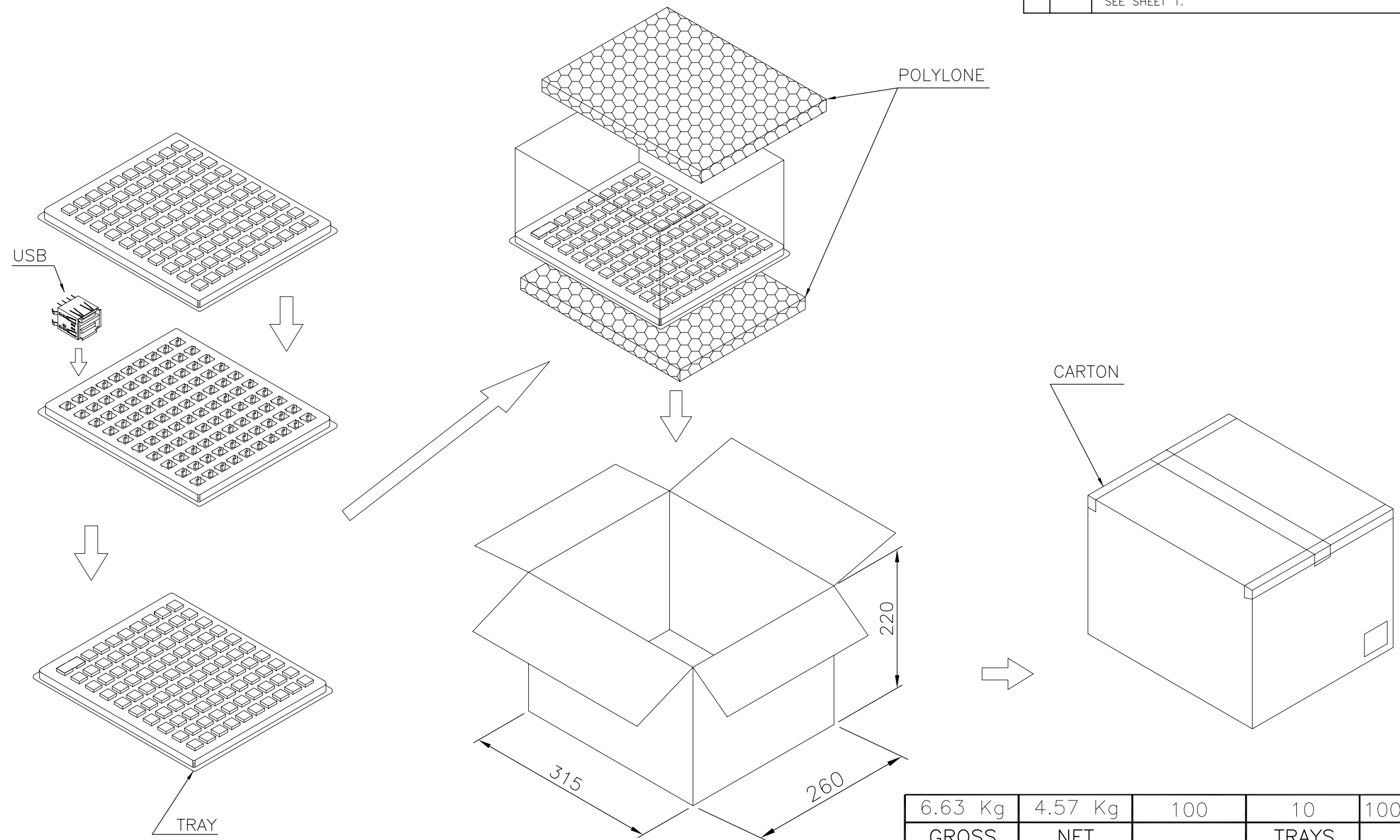
3

2

1

DRAWING IS UNPUBLISHED. RELEASED FOR PUBLICATION AUG ,2006.  
 COPYRIGHT 2009 BY TYCO ELECTRONICS CORPORATION. ALL RIGHTS RESERVED.

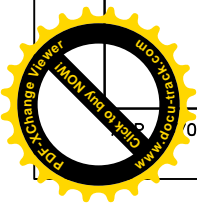
LOC	DIST	REVISIONS			
P	LTR	DESCRIPTION	DATE	DWN	APVD
DW	/	SEE SHEET 1.			

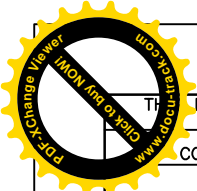


6.63 Kg	4.57 Kg	100	10	1000 PCS	2-1734085-X
GROSS WEIGHT	NET WEIGHT	PCS/TRAY	TRAYS /CARTON	QUANTITY	PART NUMBER

THIS DRAWING IS A CONTROLLED DOCUMENT.

DIMENSIONS: MM	TOLERANCES UNLESS OTHERWISE SPECIFIED:	DWN	TE Connectivity USB CONNECTOR, A SERIES, VERTICAL, DIP TYPE
	0 PLC ± -	CHK	
	1 PLC ± -	APVD	
	2 PLC ± -	PRODUCT SPEC	
	3 PLC ± -	APPLICATION SPEC	NAME
	4 PLC ± -	WEIGHT	SIZE
MATERIAL	FINISH	CUSTOMER DRAWING	CAGE CODE
			DRAWING NO
			RESTRICTED TO
			SCALE
			SHEET
			REV





4

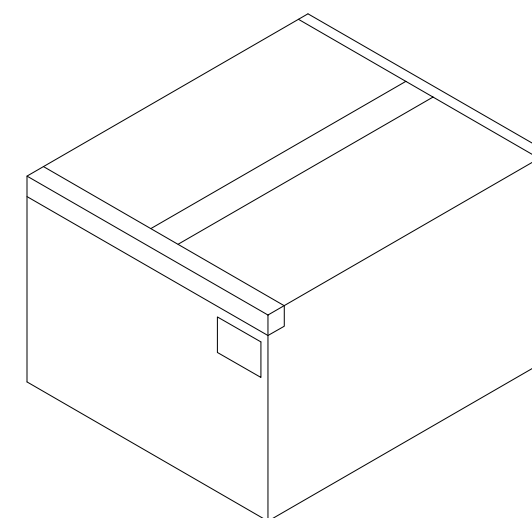
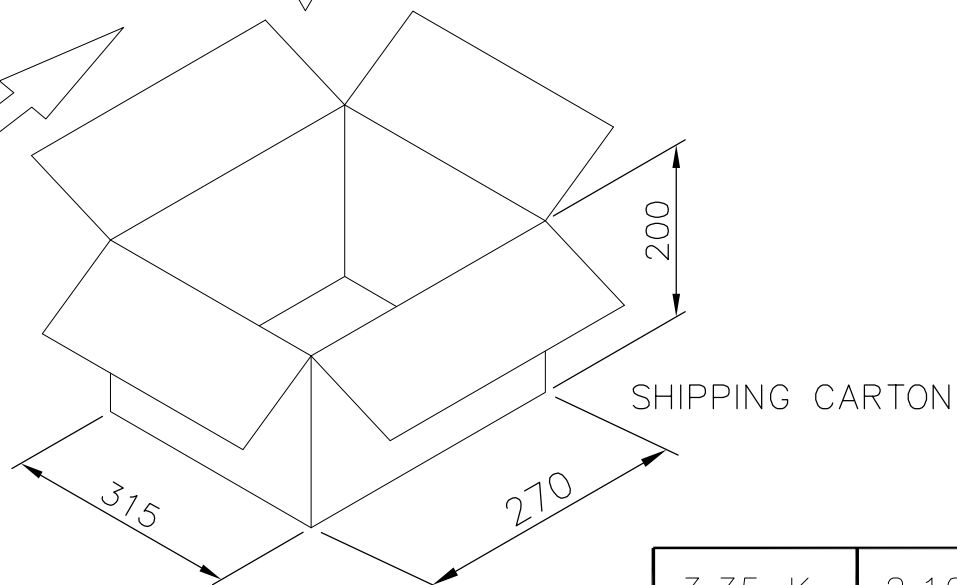
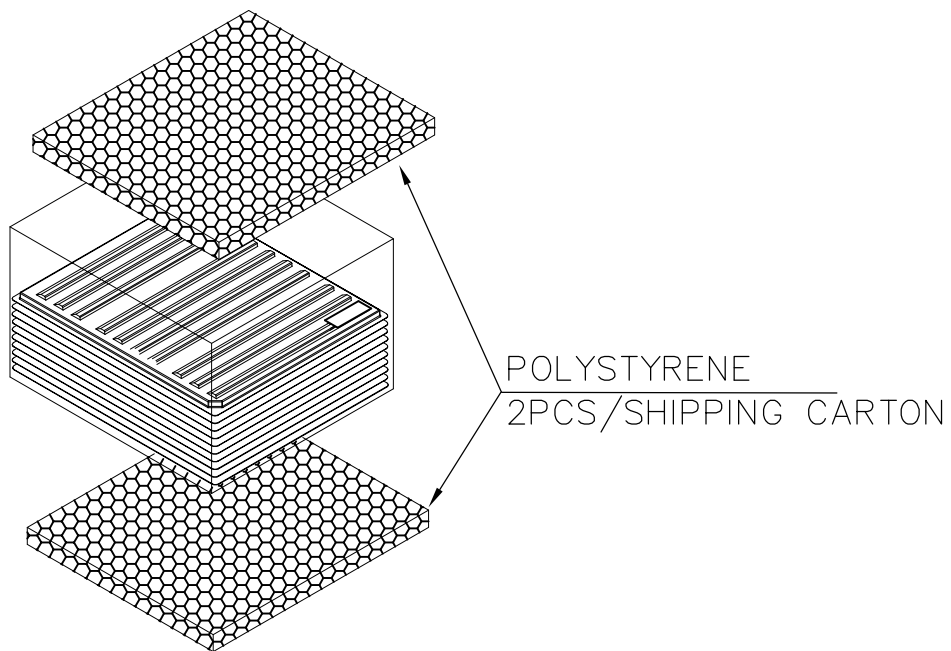
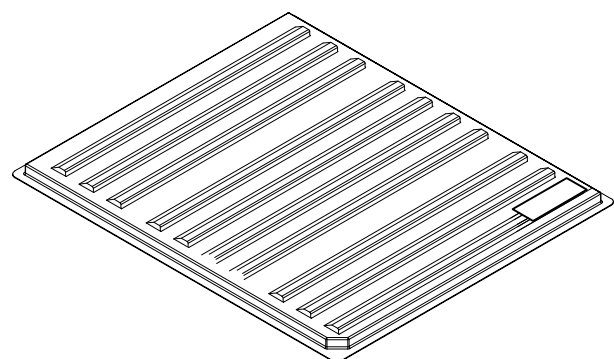
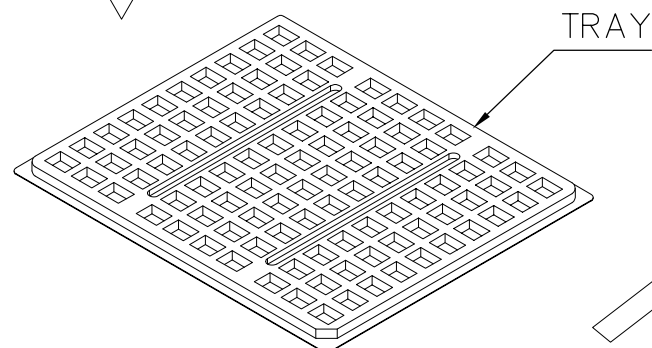
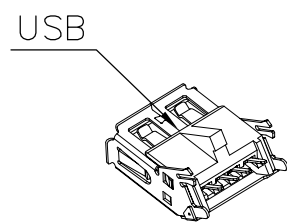
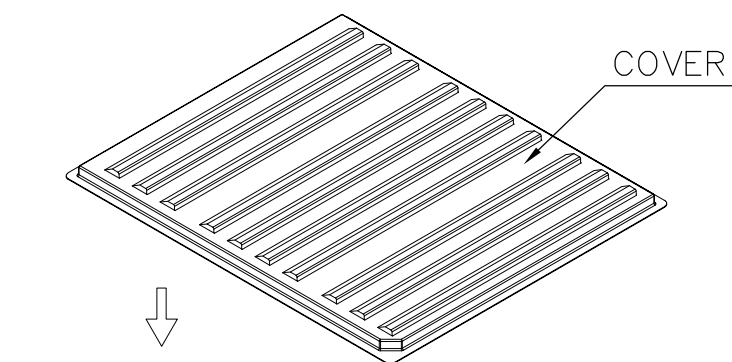
3

2

1

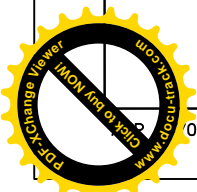
DRAWING IS UNPUBLISHED. RELEASED FOR PUBLICATION AUG ,2006.  
 COPYRIGHT 2009 BY TYCO ELECTRONICS CORPORATION. ALL RIGHTS RESERVED.

LOC	DIST	REVISIONS				
P	LTR	DESCRIPTION	DATE	DWN	APVD	
		SEE SHEET 1.				

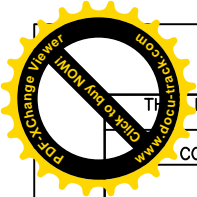


3.35 Kg	2.16 Kg	100	10	1000 PCS	4-1734085-X 3-1734085-X
GROSS WEIGHT	NET WEIGHT	PCS/TRAY	TRAYS /CARTON	QUANTITY	PART NUMBER

THIS DRAWING IS A CONTROLLED DOCUMENT.		DWN		TE Connectivity NAME USB CONNECTOR, A SERIES, VERTICAL, DIP TYPE	
DIMENSIONS: MM		TOLERANCES UNLESS OTHERWISE SPECIFIED:			
		0 PLC ± - 1 PLC ± - 2 PLC ± - 3 PLC ± - 4 PLC ± - ANGLES ± -			
MATERIAL		FINISH			
		CHK		SIZE	
		APVD		CAGE CODE	
		PRODUCT SPEC		DRAWING NO	
		APPLICATION SPEC		RESTRICTED TO	
		WEIGHT		A3 00779 C=1734085	
		CUSTOMER DRAWING		SCALE	
				SHEET 8 of 9	
				REV D2	







4

3

2

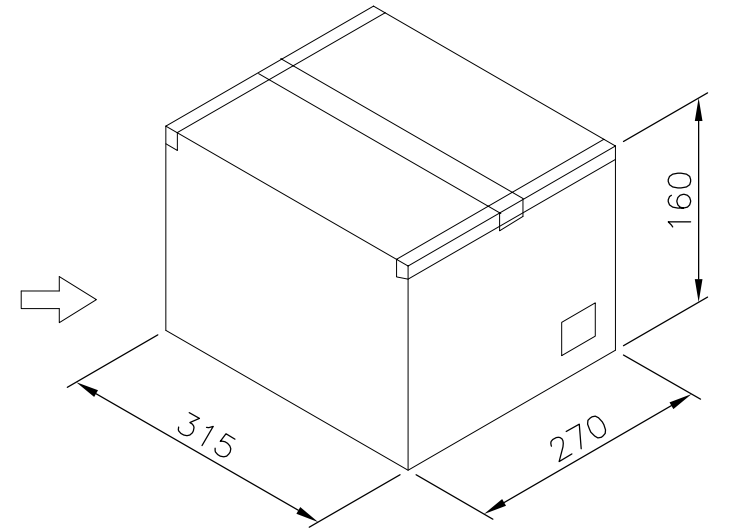
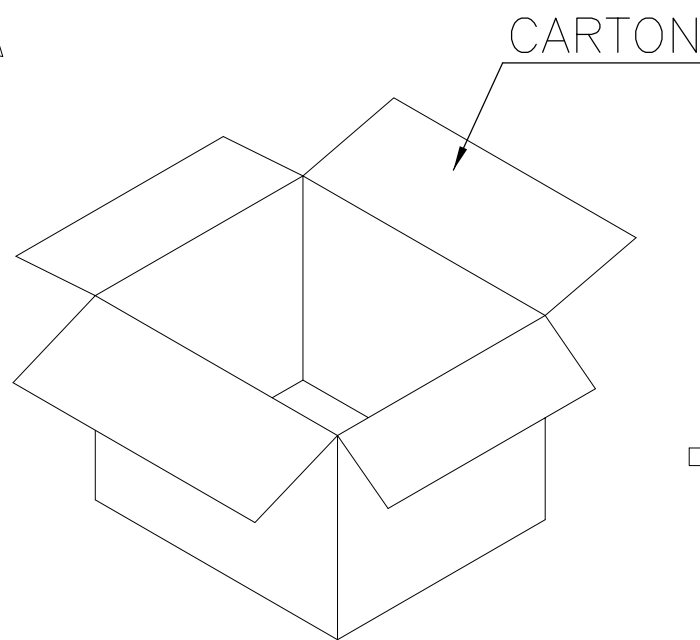
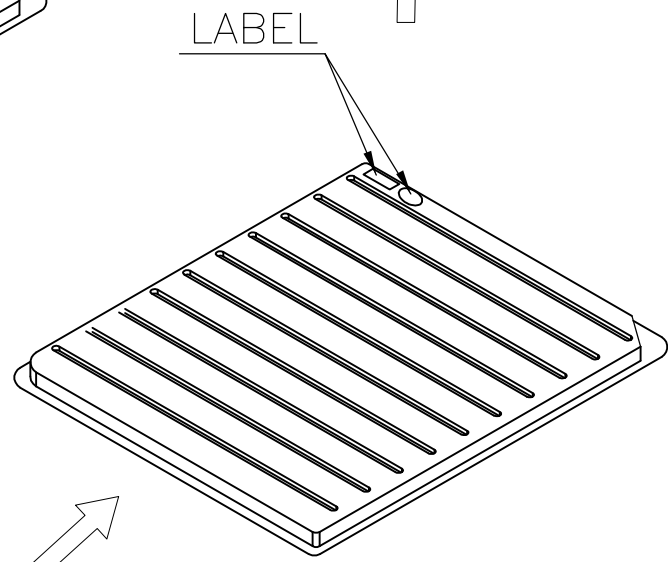
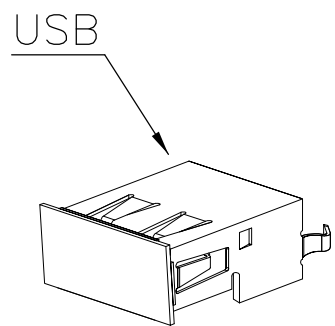
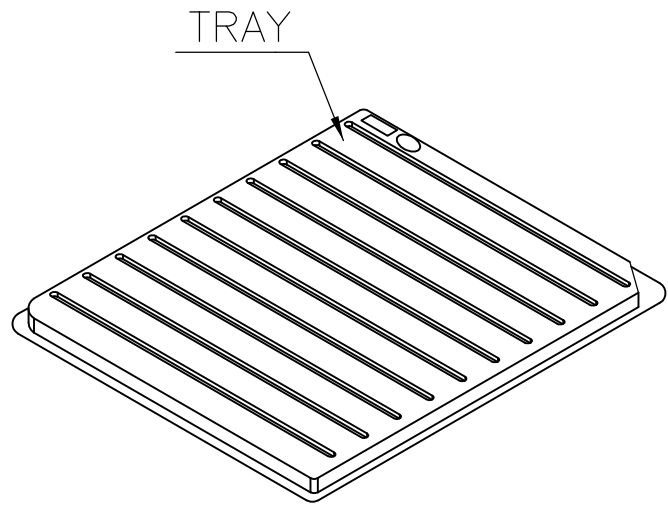
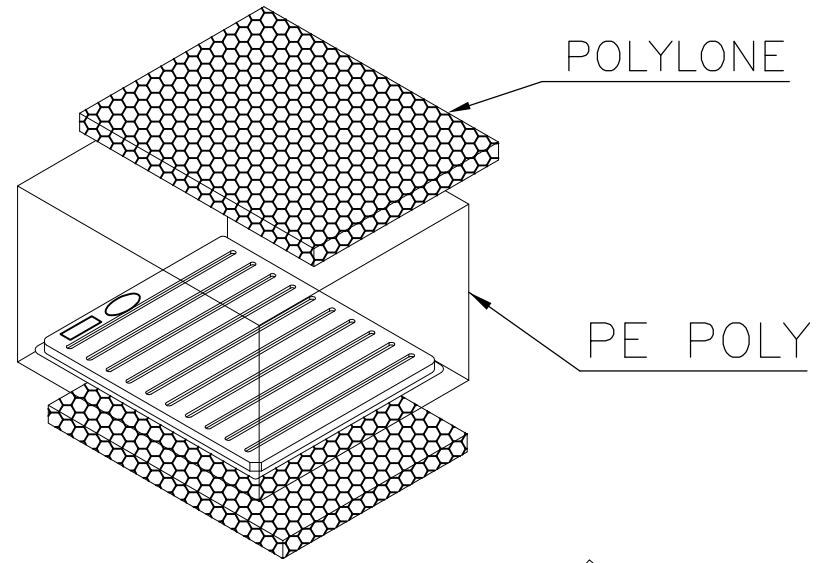
1

DRAWING IS UNPUBLISHED. RELEASED FOR PUBLICATION AUG ,2006.  
 COPYRIGHT 2009 BY TYCO ELECTRONICS CORPORATION. ALL RIGHTS RESERVED.

LOC	DIST	REVISIONS			
P	LTR	DESCRIPTION	DATE	DWN	APVD
		SEE SHEET 1.			

D

D



C

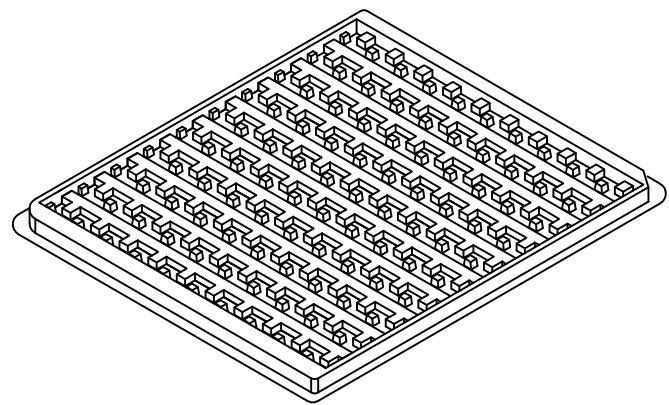
C

B

B

A

A



2.04 Kg	1.85 Kg	100	10	1000 PCS	1734085-3
GROSS WEIGHT	NET WEIGHT	PCS/TRAY	TRAYS /CARTON	QUANTITY	PART NUMBER

THIS DRAWING IS A CONTROLLED DOCUMENT.		DWN		TE Connectivity NAME USB CONNECTOR, A SERIES, VERTICAL, DIP TYPE	
DIMENSIONS: MM		TOLERANCES UNLESS OTHERWISE SPECIFIED:			
		0 PLC ± - 1 PLC ± - 2 PLC ± - 3 PLC ± - 4 PLC ± - ANGLES ± -			
MATERIAL		FINISH			
		CHK		PRODUCT SPEC	
		APVD		APPLICATION SPEC	
		WEIGHT		SIZE	
		CUSTOMER DRAWING		CAGE CODE	
				DRAWING NO	
				RESTRICTED TO	
				SCALE	
				SHEET	
				9 of 9	
				REV	
				D2	

