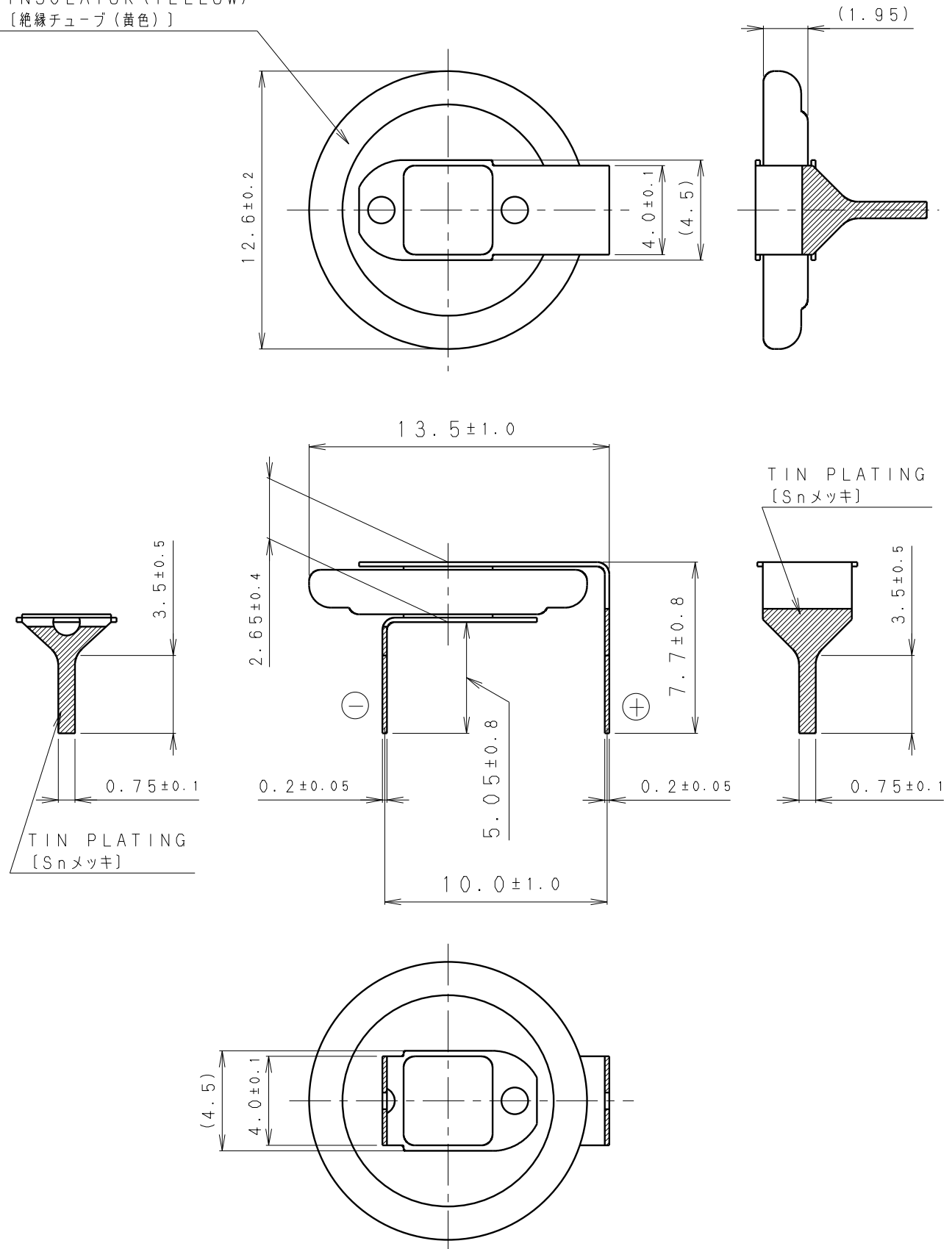


* NOTE [注記]



1. TAB PULLING STRENGTH OVER 19.6N
[端子溶接強度：19.6N以上]
2. TAB MATERIAL: STAINLESS STEEL WITH TIN PLATING [Snメッキ]
[端子材料：基材 ステンレス/表面 部分Snメッキ]
3. (): REFERENCE DIMENSION AND ANGLE
[() 寸法、角度は参考値]

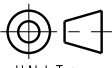
PRODUCT NO.	BR-1220/HEN	SCALE	
		4:1	
DRAWING NO.	JEHA1N	REV.	
		0	

INSULATOR (YELLOW)
[絶縁チューブ (黄色)]



* NOTE [注記]

- TAB PULLING STRENGTH OVER 19.6N
[端子溶接強度: 19.6N以上]
- TAB MATERIAL: STAINLESS STEEL WITH TIN PLATING 
[端子材料: 基材 ステンレス/表面 部分Snメッキ 
- (): REFERENCE DIMENSION AND ANGLE
[() 寸法、角度は参考値]

PRODUCT NO.	BR-1220/HFN	SCALE	
		4:1	
DRAWING NO.	JEHA1Z	REV.	
		0	