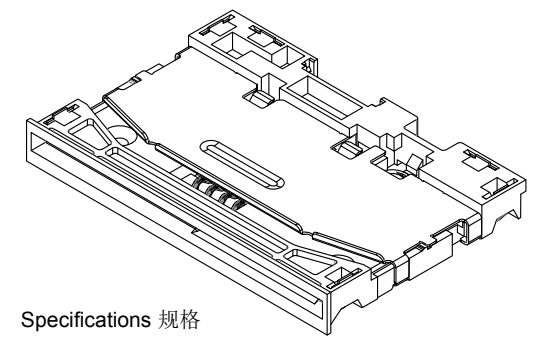
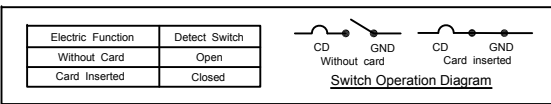
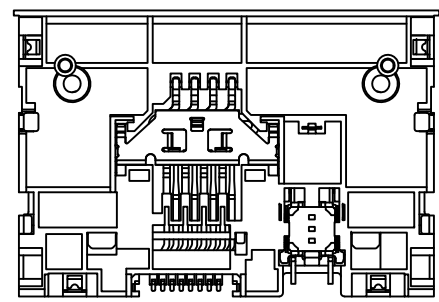
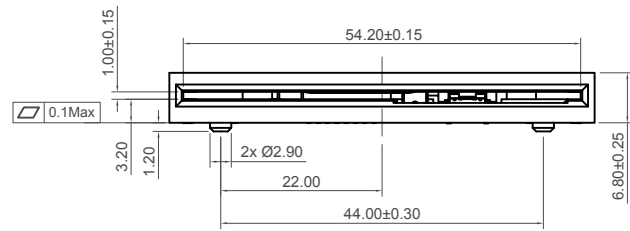


Recommended PCB Layout
Viewed from component side, General Tol: ±0.05



Specifications 规格

Material 物料
 Plastic Housing 塑胶外壳: LCP, UL94V-0, Black
 Contact Terminal 接触端子: Copper Alloy
 Metallic Shell 金属外壳: Stainless Steel, SUS304
 Switch Button 开关压片: Stainless Steel
 Hinge 铰链: Stainless Steel
 Grounding Tag 接地片: Brass

Plating 电镀
 Under-plating 底层电镀: 30µ" min. Nickel all over
 Data Contact 数据端子:
 Contact Area 接触区: 15µ" Gold
 Solder Area 焊接区: 100µ" min. Tin
 Switch Contact 开关接触:
 Contact Area 接触区: 10µ" min. Silver
 Solder Area 焊接区: 100µ" min. Tin
 Grounding Tag 接地片: 100µ" min. Tin all over

Electrical 电气
 Voltage rating 电压额定值: 30V max.
 Current Rating 电流额定值: 1 Amp
 Contact Resistance 接触电阻值: 100 mΩ max.
 Insulation Resistance 绝缘电阻值: 1000 MΩ min.
 Dielectric Withstand Voltage 耐电压: 500 V AC

Mechanical & Environmental 机械 & 环境
 Solderability 可焊性:
 IR Reflow 回流焊: 250°C for 5 sec. max.
 Manual Solder 人工焊接: 370°C for 3 sec. max.

Operating Temperature 工作温度: -40°C to +85°C
 Durability 耐久性: 500,000 cycles

Ordering Grid
SCC055 - **L** - **8** - **1** - **S** - **B** Request Samples and Quotation

Contact Type
 L = Landed

No. of Contacts
 8 = 8 Contacts

Switch
 1 = Sealed switch, normally open

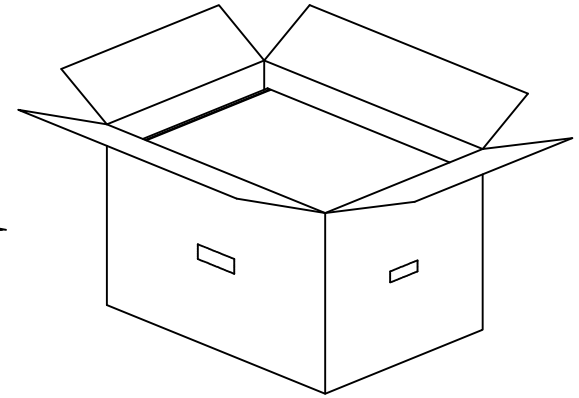
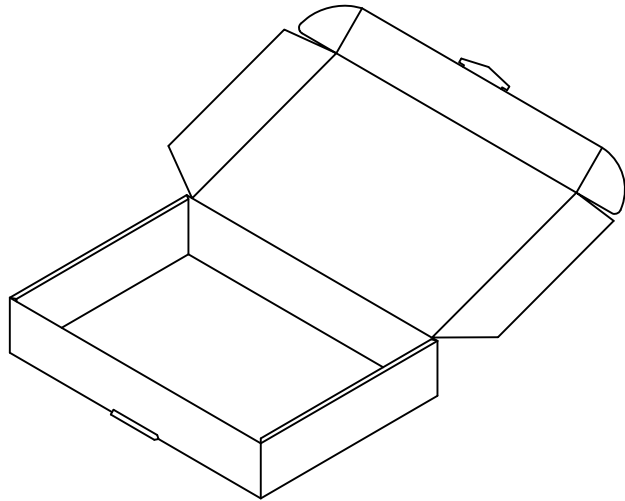
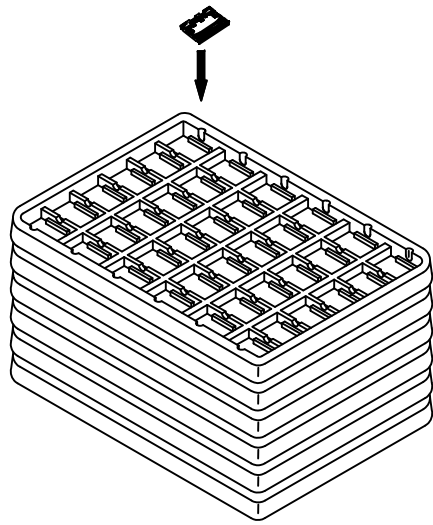
Packing
 B = Tray
 (36pcs per tray)

Shielding
 S = Shielded

Part Number SCC055		Product Description Smart Card Connector - Landed Contact, 8 Contact, SMT, Standard Mount, with Normally Open Sealed Switch		GCT Global Connector Technology www.gct.co
Drawing Date 20th August 2015				
By AJO	Detail Drawing Release	Tolerances (Except as Noted)	Units: Metric (mm)	 This drawing is confidential and copyright of Global Connector Technology, Ltd (GCT). This drawing must not be copied or disclosed without written consent. E & OE
Revision A	Date 20/08/15	Length X. ± 0.35 X.X ± 0.25 X.XX ± 0.15 X.XXX ± 0.10	Angle X.° ± 5° X.X° ± 4° X.XX° ± 3° X.XXX° ± 2°	
		 3rd Angle Projection		
Not to Scale	Drawn By AJO	Sheet No. 1/2		

H
G
F
E
D
C
B
A

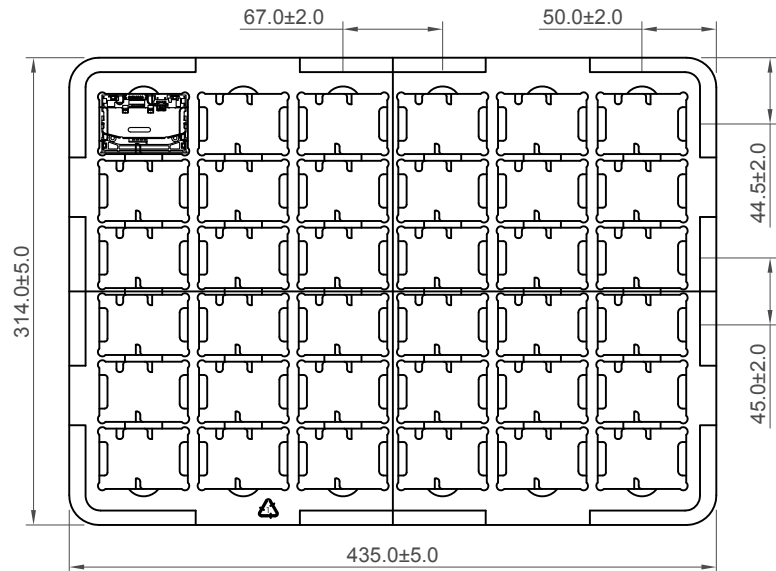
Part Number	Pcs/Tray	Trays/Carton	Cartons/Box	Pcs/Box
SCC055	36	7 (+1 empty)	5	1260






36pcs per tray
Tray : 43.50cm L x 31.4cm W x 1.47cm H

252pcs per carton (7 trays set in order plus one cover)
Carton: 46.0cm L x 32.0cm W x 8.80cm H
Net Weight: 2.55kg Gross Weight: 3.20kg

1260pcs per box (5 cartons set in order)
Box: 48.0cm L x 34.6cm W x 46.0cm H
Net Weight: 12.76kg Gross Weight: 16.94kg



Part Number		Product Description		 GCT Global Connector Technology www.gct.co		
SCC055		Smart Card Connector - Landed Contact, 8 Contact, SMT, Standard Mount, with Normally Open Sealed Switch				
Drawing Date		20th August 2015				
By		AJO				
Detail	Drawing Release	Tolerances (Except as Noted)	Units:	  This drawing is confidential and copyright of Global Connector Technology, Ltd (GCT). This drawing must not be copied or disclosed without written consent. E & OE		
Revision	A	Length	Metric (mm)			
Date	20/08/15	Angle	3rd Angle Projection			
				Not to Scale	Drawn By AJO	Sheet No. 2/2