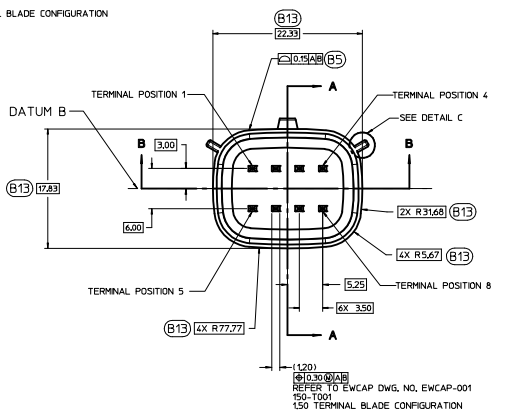
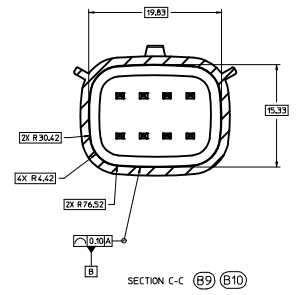
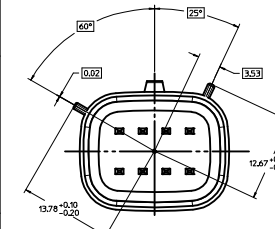
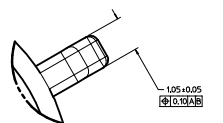
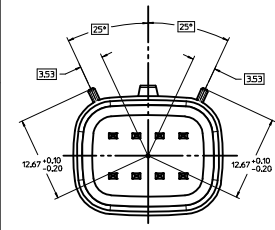


NOTICE  
THIS DRAWING OR PORTIONS OF IT, ARE CONTROLLED BY THE ELECTRICAL WIRING COMPONENTS APPLICATION PARTNERSHIP (EWCAP), A SUBGROUP OF THE UNITED STATES CONSORTIUM FOR AUTOMOTIVE RESEARCH LLC (USCAR). USCAR IS A PARTNERSHIP BETWEEN CHRYSLER GROUP LLC, FORD MOTOR COMPANY, AND GENERAL MOTORS CORPORATION ANY CHANGE TO A EWCAP CONTROLLED PORTION OF THIS DRAWING, INCLUDING A "RECORD CHANGE" MUST BE APPROVED, IN WRITING, BY THE RESPONSIBLE EWCAP MEMBER FROM EACH USCAR COMPANY. EACH EWCAP MEMBER AUTHORIZED TO SIGN FOR HIS OR HER COMPANY IS RESPONSIBLE FOR OBTAINING ALL NECESSARY APPROVALS WITHIN THAT COMPANY PRIOR TO SIGNING FOR APPROVAL OF THE CHANGE. EWCAP EXPRESSLY PROHIBITS ANY PARTY FROM CHANGING EITHER ANY EWCAP CONTROLLED PORTION OF THIS DRAWING OR ANY ASSOCIATED TOOLING BEFORE RECEIVING AN APPROVAL SIGNED BY AN AUTHORIZED REPRESENTATIVE FROM EACH EWCAP PARTNER. REFERENCE TO THE SIGNED APPROVAL FORM MUST BE ENTERED IN THIS DRAWING'S CONTROL COLUMN.

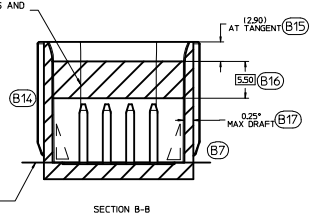


- NOTES: UNLESS OTHERWISE SPECIFIED (B18)
- ALL DIMENSIONS SHOWN IN MILLIMETERS.
  - DIMENSIONING AND TOLERANCING PER ASME Y14.5M-1994
  - 0.25 RADI ON ALL CORNERS SHOWN SHARP.
  - UNSPECIFIED RADI: 0.25 EXCEPT AS NOTED.
  - STANDARD COLORS FOR POLARIZATION (SEE CHART). DEVIATION REQUIRES APPROVAL OF AUTHORIZED PERSON.
  - REFER TO "SAE/USCAR 12 CONNECTOR GUIDELINES" FOR ADDITIONAL REQUIREMENTS.
  - EXCEPT WHERE NOTED, DRAFT ON OUTSIDE SURFACES IS PERMISSIBLE WITHIN TOLERANCE.
  - SYMBOL INDICATES DRAFT DIRECTION.
  - FOR TERMINAL MATERIAL, DIMENSIONAL, AND COATING REQUIREMENTS AND ANY BLADE TERMINAL DESIGN INFORMATION NOT SHOWN ON THIS DRAWING SEE EWCAP DRW. NO. EWCAP-001
  - A FULL SHROUD ON THE MATING CONNECTOR IS REQUIRED TO INSURE THAT THE CONNECTOR-HEADER POLARIZATION FEATURES OPTIONS A THRU D WILL FUNCTION. THE FULL SHROUD ALSO PREVENTS SCOP DAMAGE TO THE HEADER PINS. REFER TO "SAE/USCAR-12 CONNECTOR DESIGN GUIDE LINES" FOR ADDITIONAL INFORMATION.
  - REFER TO USCAR/EWCAP PART LIST AS FOUND ON WEBSITE <http://www.uscarcorp.com>
  - THIS IS A 100% CAD GENERATED PART. THE CAD MATHEMATICAL DATA IS THE MASTER FOR THIS PART. FOR DIMENSIONAL OR ANY INFORMATION NOT SHOWN ON THIS DRAWING, ANALYZE THE CAD MODEL.



(B19) SURFACE MUST BE FREE OF SURFACE DEFECTS AND PARTING LINES FOR SEALING ALL AROUND

CONSTRUCTION BELOW THIS SURFACE IS NOT CONTROLLED BY EWCAP. NO PLASTIC FEATURES MAY EXTEND ABOVE THIS SURFACE.



EWCAP P/N	OPTION	MATING CONNECTOR
150-S-008-2-002	D	BLACK
150-S-008-2-002	C	DK GRAY
150-S-008-2-802	B	LT GRAY
150-S-008-2-A02	A	BLACK

DETAIL C SCALE 20:1 APPLIES TO ALL KEYING OPTION VIEWS FOR POSITIONS

REV	DATE	BY	CHK	DESCRIPTION
095	B22			CHANGED ISO VIEW SCALE TO 4:1 WAS 1:1
095	B21			ADDED PARTING LINE NOTE TO DETAIL A
095	B20			CORRECTED CHRYSLER GROUP LLC NOMENCLATURE
095	B19			MOVED NOTE TO SECTION B-B
095	B18			UPDATED NOTES
095	B17			REMOVED 15.20 AND 2.50 FROM SECTION A-A
095	B16			ADDED (B35)
095	B15			ADDED AT TANGENT NOTE
095	B14			REMOVED DATUM D
095	B13			ADDED BASIC DIMENSIONS FOR PROFILE CONTROL
095	B12			ADDED (B10, B20, B4)
095	B11			DIMENSIONED TO DATUM A
095	B10			SEALING SURFACE DIMENSIONS MOVED TO SECTION C-C
095	B9			ADDED SECTION C-C
095	B8			REMOVED 15.20 AND 2.50 FROM SECTION A-A
095	B7			ADDED DRAFT ANGLE DIRECTION
095	B6			REMOVED 0.20 ±0.10 ±0.20 ALL AROUND
095	B5			REPLACED WALL THICKNESS CONTROL WITH DRAFFLE OF A SURFACE
095	B4			ADDED R16.47
095	B3			ADDED 0.70 ±0.15 ALL AROUND
095	B2			UPDATED CONNECTOR COLORS
095	B1			SURFACE 17 RELOCATED TO (B35) WAS AT 8.20
095	A	RELEASED		

LET	REVISION RECORD	DATE	DWN	CHK

TOLERANCES UNLESS OTHERWISE SPECIFIED			
DIMENSIONS ARE IN MILLIMETERS			
FRAMES	ANGLES	XX	XXX
	±0.2	±0.1	±0.10

SCALE	DRAWN BY	CHECKED BY	DATE
4:1	K. LUNNINGHAM	M. ANSLAMBROUCK	03-21-12

MOLEX

8 WAY (2 X 4) 1.5 MM SEALED MALE

REV	DATE	BY	CHK	DESCRIPTION
10F1		E		DO NOT SCALE DRAWING CONTENTS AND DIMENSIONS



**MX150 RECEPTACLE 2X2 SEALED ASSEMBLY MAT SEAL  
BOM AND PIN OUT SHEET**

ASSEMBLY DESCRIPTION	ASSEMBLY PART NUMBER	COMPONENT						BLOCKED TERMINALS										STATUS	COMMENTS	OPTIONAL ATTACHMENTS SOLD SEPERATELY		
		THE PRESENCE OF AN ABBREVIATION INDICATES THE PRESENCE OF THAT COMPONENT.						CAVITY WITH A NUMBER INDICATES BLOCKED TERMINAL POSITION CAVITY WITHOUT A NUMBER INDICATES OPEN TERMINAL POSITION												BACKSHELL WITH RIBS	BACKSHELL WITHOUT RIBS	
		HOUSING KEY/COLOR	GROMMET CAP	PLR	CPA	MAT SEAL	RING SEAL	1	2	3	4											
KEY A, BLACK, W/O CPA	33472-4054	A-BLK	GCP	PLR		M	R	1			3									SALEABLE		
KEY B, LIGHT GRAY, W/CPA	33472-4055	B-LG	GCP	PLR	CPA	M	R	1												SALEABLE		
KEY A, BLACK, W/O CPA	33472-4056	A-BLK	GCP	PLR		M	R	1												SALEABLE		























MX150 RECEPTACLE 2X10 SEALED ASSEMBLY MAT SEAL BOM AND PIN OUT SHEET

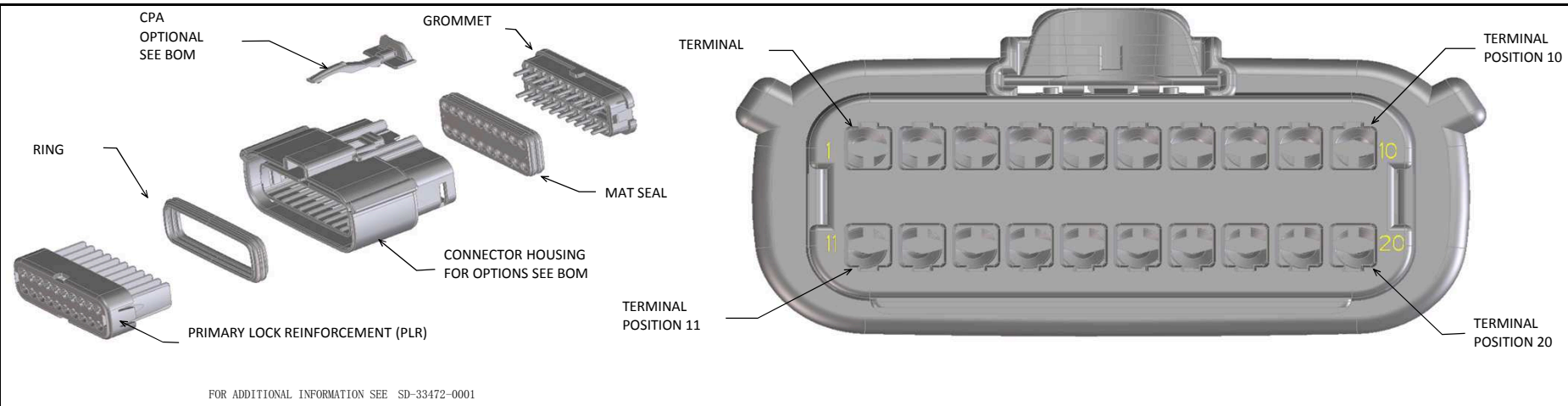


Table with 4 columns: ABBREVIATION, DESCRIPTION, COLOR, MATERIAL. Lists components like A-BLK, B-LG, C-BR, etc., and their corresponding materials like SPS/NYLON GF20, PBT GF30, etc.

FOR ADDITIONAL INFORMATION SEE SD-33472-0001

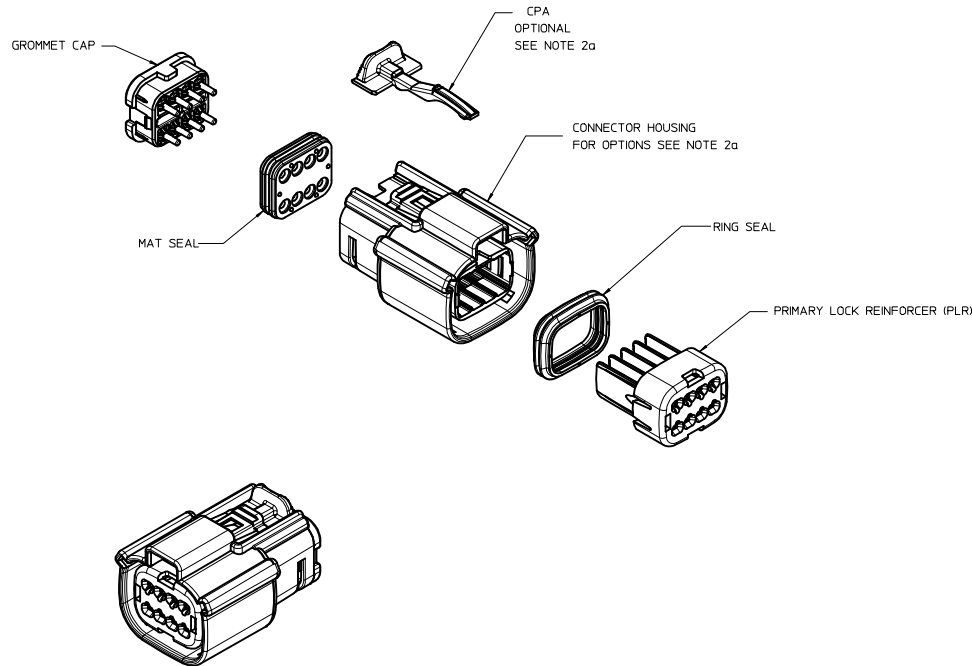
Main assembly table with columns: ASSEMBLY DESCRIPTION, ASSEMBLY PART NUMBER, COMPONENT (HOUSING KEY/COLOR, GROMMET CAP, PLR, CPA, MAT SEAL, RING SEAL), BLOCKED TERMINALS (1-20), STATUS, COMMENTS, and OPTIONAL ATTACHMENTS SOLD SEPARATELY (BACKSHELL WITH RIBS, BACKSHELL WITHOUT RIBS).







TABLE OF CONTENTS	
SHEET NO.	SHEET DESCRIPTION
1	NOTES
2	KEY CONFIGURATIONS
3	RECEPTACLE SEALED ASSEMBLY
4	BACKSHELL NOTES
5	BACKSHELL
6	BACKSHELL CONFIGURATIONS



NOTES: VALID UNLESS OTHERWISE SPECIFIED

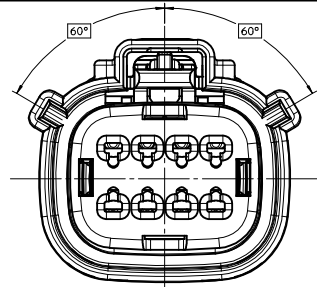
1. GENERAL:
  - a. APPLICATION SPECIFICATION SEE: AS-33472-100
    - CONTAINS: PRODUCT INTRODUCTION, PRODUCT SUMMARY, CONNECTOR ASSEMBLY, PACKAGING INFORMATION, CONNECTOR MATING, SERVICE INSTRUCTIONS, ELECTRICAL CONTINUITY CHECKING, CRIMPING, AND TROUBLESHOOTING.
    - DESIGNED TO MATE WITH DEVICE CONNECTION AS SPECIFIED IN DRAWING EWCAP 150-S-008-2-Z02, AVAILABLE AT <http://ewcap.uscarteams.org/>.
    - DESIGNED TO MATE WITH BLADE SEALED ASSEMBLY AS SPECIFIED IN DRAWING SD-33482-081
    - FOR 15mm RECEPTACLE TERMINALS TO BE USED WITH THIS ASSEMBLY, SEE MOLEX DRAWING SD-33012-002.
    - SYSTEM TO BE USED WITH WIRE WITH DIAMETER RANGE OF 1.2mm TO 2.69mm.
    - ASSEMBLY SHIPPED WITH PLR AND CPA IN PRE-LOCK POSITION (SEE SECTION Z-Z PRE-LOCK).
    - IN THE EVENT THAT THE PLR IS FOUND IN THE SEATED (FINAL LOCK) POSITION, REFER TO MOLEX SPECIFICATION PS-34646-001, AVAILABLE AT www.molex.com <http://www.molex.com>.
    - ASSEMBLY CONFORMS TO SAE/USCAR-2 REV.4 WITH THE FOLLOWING EXCEPTIONS:
      - ENGAGEMENT FORCE TO MOVE CPA FROM PRE-LOCK TO FINAL LOCK POSITION WHEN UNMATED: 40N MIN.
      - DISENGAGEMENT FORCE TO MOVE CPA FROM FINAL LOCK TO PRE-LOCK POSITION: 3N MIN, 40N MAX
      - TERMINAL INSERTION FORCE FOR WIRE DIAMETER ABOVE 2.5mm NOT EXCEEDING 2.69mm SHALL NOT EXCEED 40 NEWTONS.
      - PLR REMOVAL FROM FINAL LOCK TO PRE-LOCK POSITION SHALL NOT EXCEED 130 NEWTONS.
  - b. PRODUCT SPECIFICATION SEE: PS-33472-000
    - CONTAINS: PRODUCT INTRODUCTION, PRODUCT SUMMARY, RATINGS (CURRENT, TEMPERATURE, SEALING, AND FLAMMABILITY), AND PRODUCT VALIDATION.
  - c. PACKAGING SPECIFICATION PER MOLEX DRAWING: PK-31300-903
  - d. PARTS MUST BE IN COMPLIANCE TO MOLEX CHEMICAL SUBSTANCES FOR PRODUCTS AND PACKAGING SPECIFICATION: ES-40000-5016
  - e. DATA MUST BE SUBMITTED UNDER THE MOLEX PART NUMBER TO IMDS (COMPANY ID#13255)
  - f. FOR INFORMATION ON 2X4 RECEPTACLE SEALED ASSEMBLY WITH CLIPSLOT SEE SD-33472-091
2. DESIGN - MATERIALS:
  - a. SEE BOM TABLE AS SPECIFIED IN SD-33472-082
3. DESIGN - GEOMETRY:
  - a. THIS IS A 100% CAD GENERATED PART. THE CAD MATHEMATICAL DATA IS THE MASTER FOR THIS PART. FOR DIMENSIONAL OR ANY INFORMATION NOT SHOWN ON THIS DRAWING, ANALYZE THE CAD MODEL.
  - b. GEOMETRIC DIMENSIONS AND TOLERANCES PER ASME Y14.5M - 1994
  - c. EDGES AND UNDIMENSIONED DETAILS PER ISO13715
  - d. CORNERS SHOWN AS SHARP TO BE R 0.2 MAX.
  - e. LETTERING SHALL BE 0.15 MAX RAISED IN 0.25 MAX RECESS PAD. THIS INCLUDES RECYCLING CODE, CAVITY ID, VENDOR IDENTIFICATION, AND CUSTOMER MATERIAL NUMBER.
  - f. VISUAL DEFECTS SHALL MEET COSMETIC STANDARD PS-45499-002 (Class B).
  - g. LASER MARKING: TBD

INSPECTION NUMBERR LOG  
 LAST NUMBER USED:  
 ADDED:  
 REMOVED:

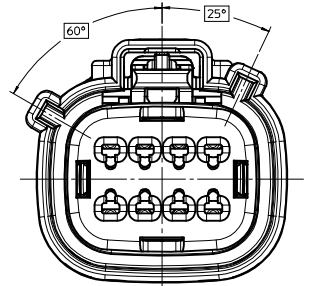
Z	MOVE THE BOM TO SD-33472-082	
Y10	UPDATED DIMENSIONS TO MATCH MODEL	
REV	DESCRIPTION	
SCALE	DESIGN UNITS	THIRD ANGLE
2:1	METRIC	PROJECTION

ENTER DESCRIPTION EC NO: JAU2014-0008 DRAWN BY: N CHKD: N APPR: WKOSHY 2013/07/02 2013/08/26 DESCRIPTION	QUALITY SYMBOLS	GENERAL TOLERANCES (UNLESS SPECIFIED)	DIMENSION STYLE	DRAWN BY	DATE	TITLE MX150 2X4 RECEPTACLE SEALED ASSEMBLY MAT SEAL <b>molex</b> MATERIAL NO. SEE NOTE 2a DOCUMENT NO. SD-33472-081 SHEET NO. 1 OF 6
	▽=0	4 PLACES ± ---	MM ONLY	D. MARCOUX	06-13-02	
	▽=0	3 PLACES ± ---		CHECKED BY	DATE	
	▽=0	2 PLACES ± 0.10		DGRIFITHS	06-13-02	
	1 PLACE ± 0.3		APPROVED BY	DATE		
	0 PLACE ±		FHOLUB	06-13-02		
		ANGULAR ± 3 °				
		DRAFT WHERE APPLICABLE MUST REMAIN WITHIN DIMENSIONS				

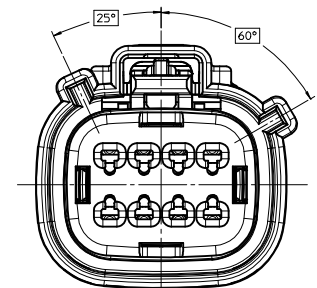
KEY CONFIGURATIONS



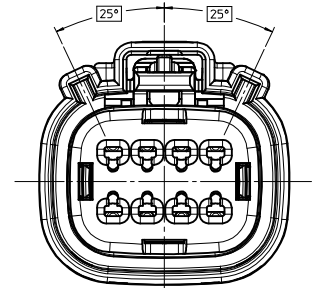
KEY A



KEY B



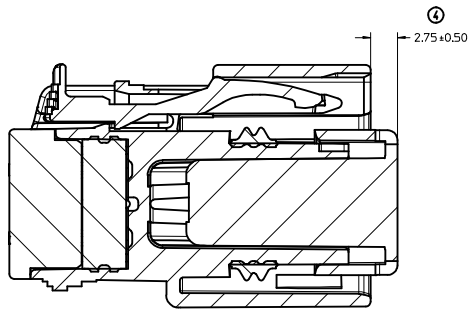
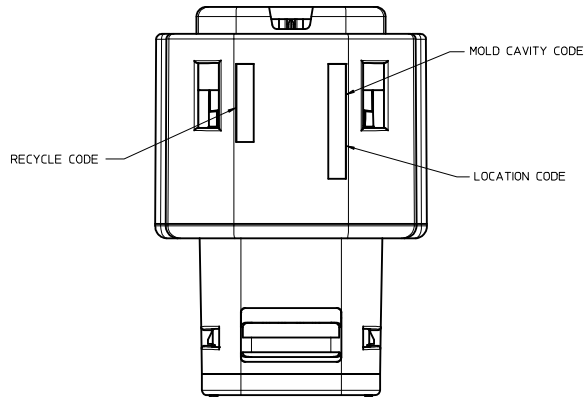
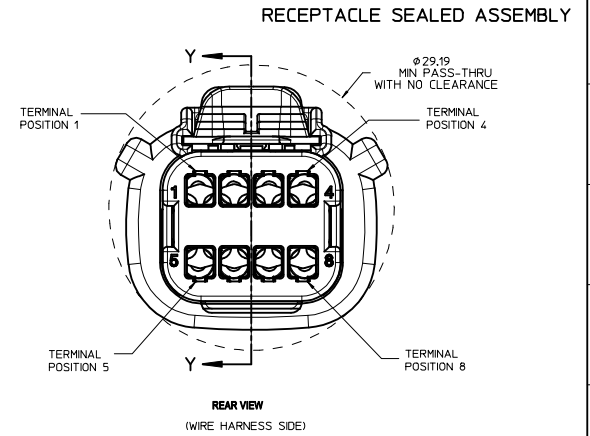
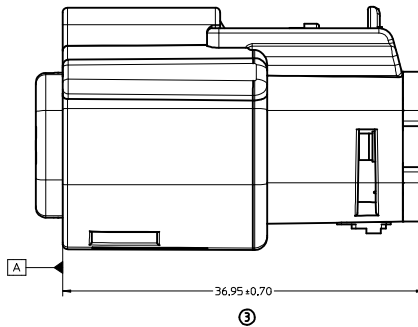
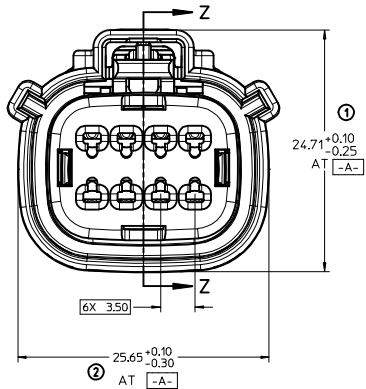
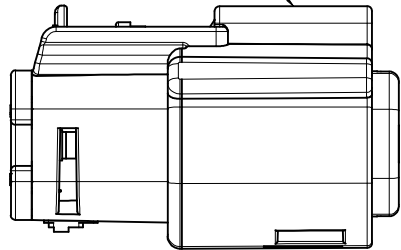
KEY C



KEY D

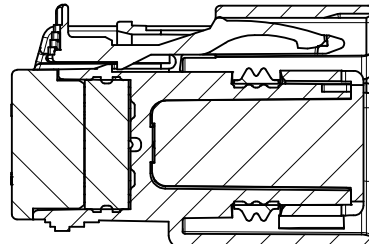
ENTER DESCRIPTION EC NO: UAU2014-0008 DRAWN BY: 2013/07/02 CHKD: APPR: WOSHY 2013/08/26	QUALITY SYMBOLS	GENERAL TOLERANCES (UNLESS SPECIFIED)	DIMENSION STYLE	SCALE	DESIGN UNITS	THIRD ANGLE PROJECTION	
	▽=0	4 PLACES ± .005	MM ONLY	4:1	METRIC		
	▽=0	3 PLACES ± .005					
	▽=0	2 PLACES ± 0.10					
		1 PLACE ± 0.3					
		0 PLACE ±					
		ANGULAR ± 3 °					
		DRAFT WHERE APPLICABLE MUST REMAIN WITHIN DIMENSIONS					
			DRAWN BY: D. MARCOUX	DATE: 06-13-02	TITLE: MX150 2X4 RECEPTACLE SEALED ASSEMBLY MAT SEAL		
			CHECKED BY: D. GRIFFITHS	DATE: 06-13-02			
			APPROVED BY: FHOLUB	DATE: 06-13-02			
			MATERIAL NO. SEE NOTE 2a	DOCUMENT NO. SD-33472-081			
						SHEET NO. 2 OF 6	
			THIS DRAWING CONTAINS INFORMATION THAT IS PROPRIETARY TO MOLEX INCORPORATED AND SHOULD NOT BE USED WITHOUT WRITTEN PERMISSION				

LASER MARKING ON THIS SURFACE  
SEE NOTE 3g.



PRIMARY LOCK REINFORCEMENT (PLR) SHOWN  
IN PRE-STAGED POSITION

SECTION Z-Z

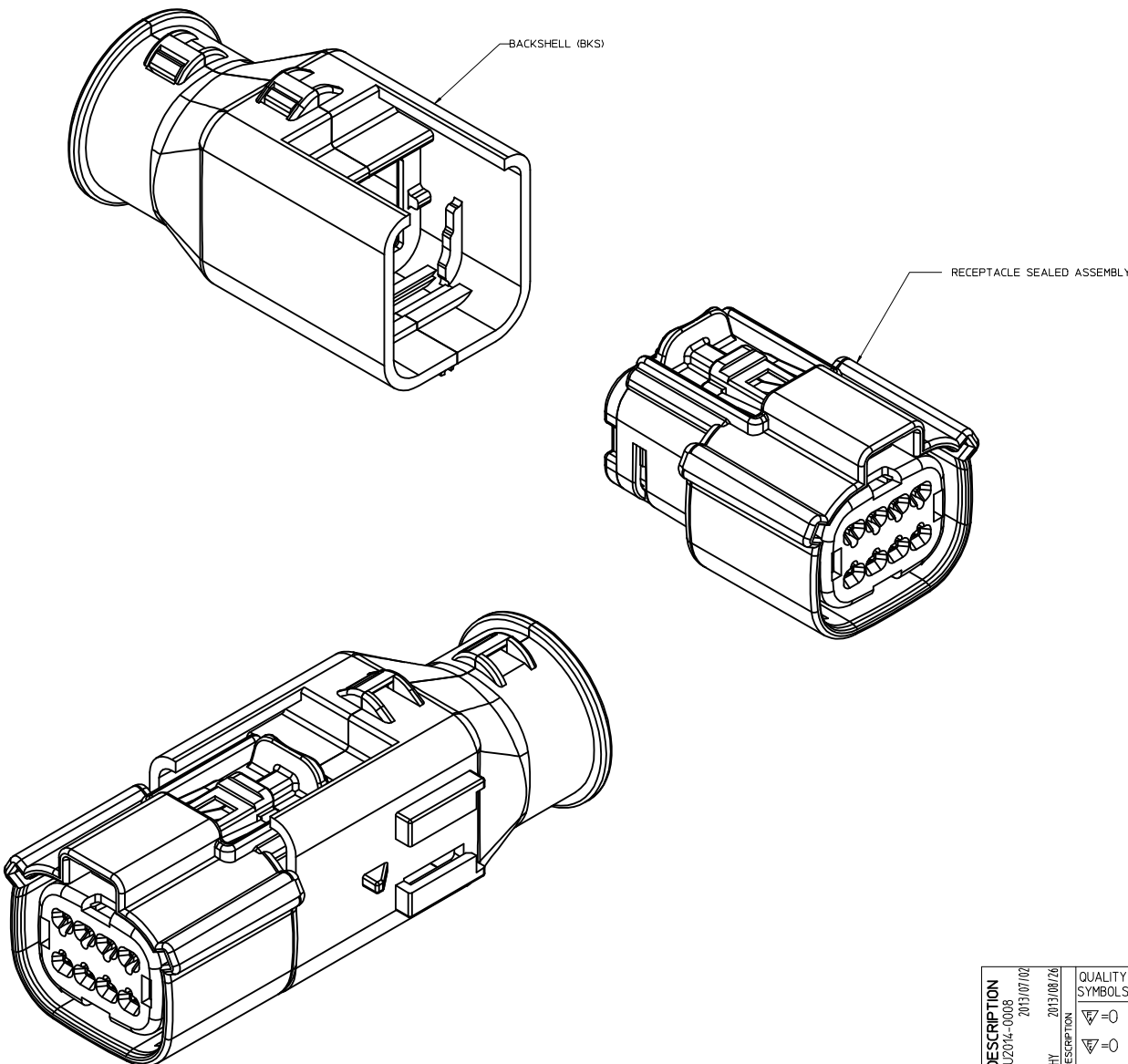


PRIMARY LOCK REINFORCEMENT (PLR) SHOWN  
IN FINAL-LOCK POSITION

SECTION Y-Y

<b>ENTER DESCRIPTION</b> IEC NO: UAU2014-0008 DRAWN BY: 2013/07/02 CHKD: APPR: IKOSHY 2013/08/26 REV:	<b>QUALITY SYMBOLS</b> ∇=0 ∇=0 ∇=0		<b>GENERAL TOLERANCES (UNLESS SPECIFIED)</b> mm INCH 4 PLACES +--- +--- 3 PLACES +--- +--- 2 PLACES +0.10 +--- 1 PLACE +0.3 +--- 0 PLACE ± ±		<b>DIMENSION STYLE</b> MM ONLY		SCALE 4:1	DESIGN UNITS METRIC	THIRD ANGLE PROJECTION
	DRAFT WHERE APPLICABLE MUST REMAIN WITHIN DIMENSIONS		ANGULAR ± 3 °		DRAWN BY: D. MARCOUX DATE: 06-13-02	CHECKED BY: D. GRIFFITHS DATE: 06-13-02	APPROVED BY: FHOLUB DATE: 06-13-02	TITLE MX150 2X4 RECEPTACLE SEALED ASSEMBLY MAT SEAL	
	MATERIAL NO. SEE NOTE 2a		DOCUMENT NO. SD-33472-081		SHEET NO. 3 OF 6		moxle		
	THIS DRAWING CONTAINS INFORMATION THAT IS PROPRIETARY TO MOLEX INCORPORATED AND SHOULD NOT BE USED WITHOUT WRITTEN PERMISSION								

BACKSHELL NOTES



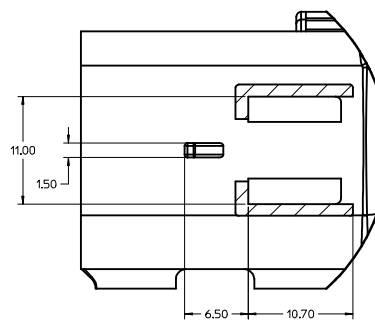
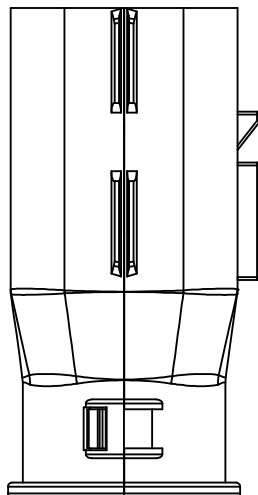
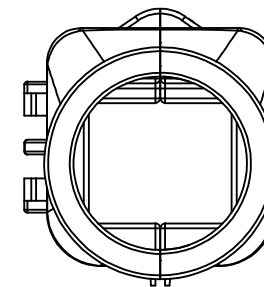
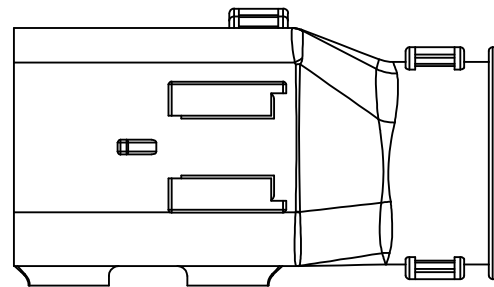
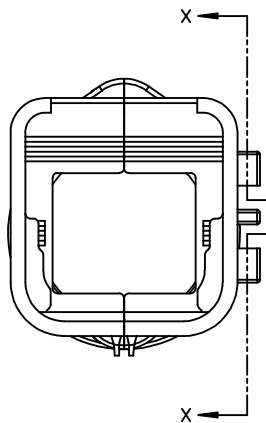
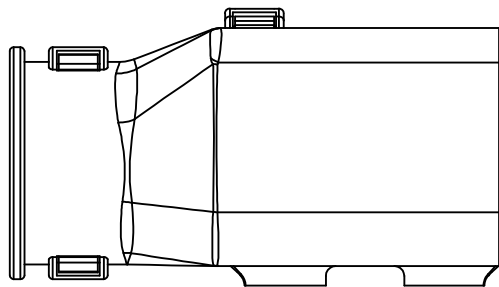
BACKSHELL NOTES: VALID UNLESS OTHERWISE SPECIFIED

1. GENERAL:  
 a. APPLICATION SPECIFICATION SEE: AS-34951-001  
 -DESIGNED TO MATE WITH RECEPTACLE SEALED ASSEMBLY SPECIFIED IN MOLEX DRAWING SD-33472-081.  
 -SYSTEM TO BE USED WITH WIRE WITHIN DIAMETER RANGE OF 1.2mm TO 2.69mm.  
 -COMPONENTS ARE OPTIONAL AND MUST BE PURCHASED SEPERATELY.  
 -BACKSHELL DESIGN IS OWNED BY SCHLEMMER.  
 -FOR ADDITIONAL INFORMATION SEE THE BACKSHELL COMPONENT DRAWING SD-34951-0001.

ENTER DESCRIPTION IEC NO: UAU2014-0008 DRAWN BY: N CHKD: N APPR: WKSHY 2013/07/02 2013/08/26 DESCRIPTION	QUALITY SYMBOLS	GENERAL TOLERANCES (UNLESS SPECIFIED)	DIMENSION STYLE	SCALE	DESIGN UNITS	THIRD ANGLE PROJECTION
	▽=0	mm INCH	MM ONLY	4:1	METRIC	☉
	▽=0	4 PLACES ± --- ± ---	D. MARCOUX	DATE	TITLE	
	▽=0	3 PLACES ± --- ± ---	06-13-02	MX150 2X4 RECEPTACLE SEALED ASSEMBLY MAT SEAL		
	2 PLACES ± 0.10 ± ---	D.GRIFFITHS	DATE	molex		
	1 PLACE ± 0.3 ± ---	APPROVED BY	DATE	DOCUMENT NO.		
	0 PLACE ± ±	FHOLUB	06-13-02	SD-33472-081		
		ANGULAR ± 3 °	MATERIAL NO.	SHEET NO.		
		DRAFT WHERE APPLICABLE MUST REMAIN WITHIN DIMENSIONS	SEE NOTE 2a	4 OF 6		
			SIZE D	THIS DRAWING CONTAINS INFORMATION THAT IS PROPRIETARY TO MOLEX INCORPORATED AND SHOULD NOT BE USED WITHOUT WRITTEN PERMISSION		

20 19 18 17 16 15 14 13 12 11 10 9 8 7 6 5 4 3 2 1

BACKSHELL  
THE VIEWS ON THIS SHEET ARE  
IN THE CLOSED UN-ASSEMBLED POSITION



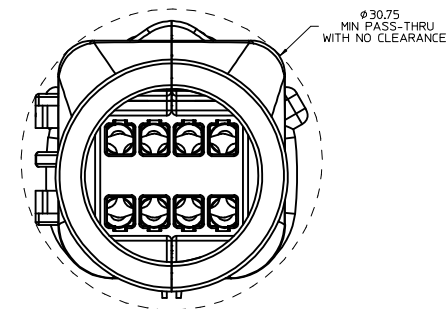
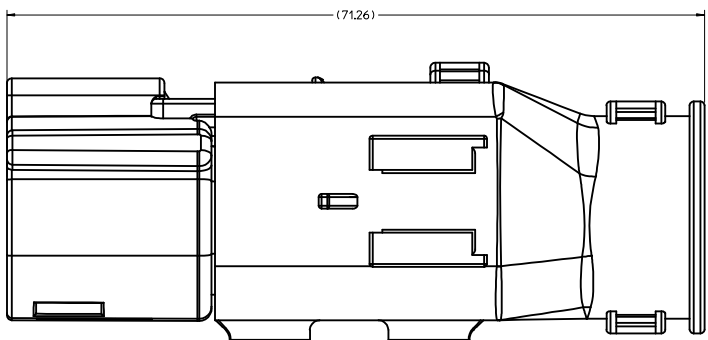
Partial X-X  
SCALE 4:1

<b>ENTER DESCRIPTION</b> IEC NO: UAU2014-0008 DRAWN BY: 2013/07/02 CHYK: APPR: VKOSHY 2013/08/26 DESCRIPTION	QUALITY SYMBOLS ∇=0 ∇=0 ∇=0	GENERAL TOLERANCES (UNLESS SPECIFIED) <table border="1"> <thead> <tr> <th></th> <th>mm</th> <th>INCH</th> </tr> </thead> <tbody> <tr> <td>4 PLACES</td> <td>± 0.10</td> <td>± 0.004</td> </tr> <tr> <td>3 PLACES</td> <td>± 0.15</td> <td>± 0.005</td> </tr> <tr> <td>2 PLACES</td> <td>± 0.20</td> <td>± 0.008</td> </tr> <tr> <td>1 PLACE</td> <td>± 0.30</td> <td>± 0.012</td> </tr> <tr> <td>0 PLACE</td> <td>± 0.40</td> <td>± 0.016</td> </tr> </tbody> </table>		mm	INCH	4 PLACES	± 0.10	± 0.004	3 PLACES	± 0.15	± 0.005	2 PLACES	± 0.20	± 0.008	1 PLACE	± 0.30	± 0.012	0 PLACE	± 0.40	± 0.016	DIMENSION STYLE <b>MM ONLY</b>	SCALE <b>4:1</b>	DESIGN UNITS <b>METRIC</b>	THIRD ANGLE PROJECTION
		mm	INCH																					
4 PLACES	± 0.10	± 0.004																						
3 PLACES	± 0.15	± 0.005																						
2 PLACES	± 0.20	± 0.008																						
1 PLACE	± 0.30	± 0.012																						
0 PLACE	± 0.40	± 0.016																						
DRAWN BY: D. MARCOUX CHECKED BY: D. GRIFFITHS APPROVED BY: F. HOLUB DATE: 06-13-02 DATE: 06-13-02 DATE: 06-13-02	TITLE <b>MX150 2X4 RECEPTACLE SEALED ASSEMBLY MAT SEAL</b>	MATERIAL NO. <b>SEE NOTE 2a</b>	DOCUMENT NO. <b>SD-33472-081</b>	SHEET NO. <b>5 OF 6</b>																				

19 18 17 16 15 14 13 12 11 10 9 8 7 6 5 4 3 2 1

20 19 18 17 16 15 14 13 12 11 10 9 8 7 6 5 4 3 2 1

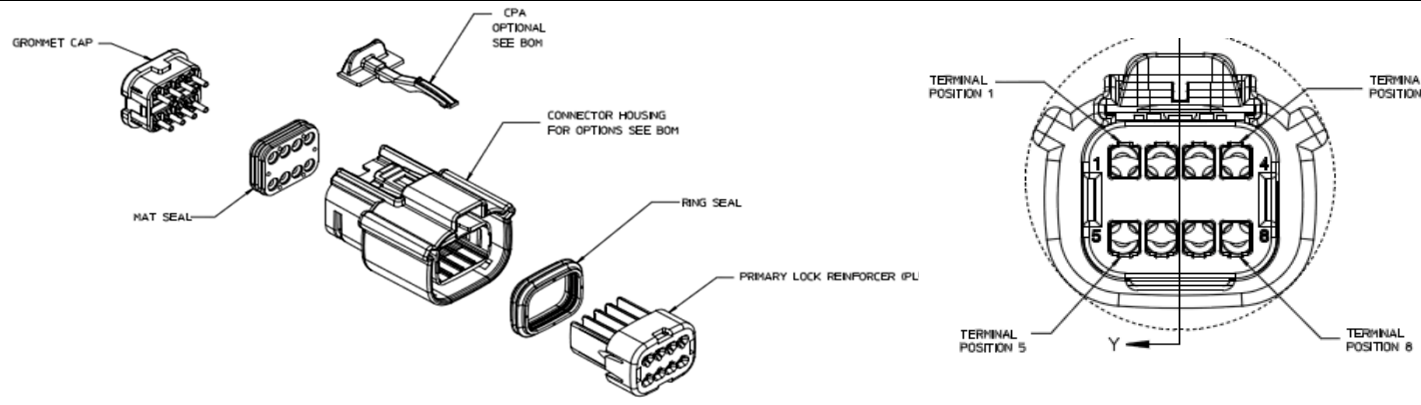
BACKSHELL CONFIGURATIONS



RECEPTACLE SEALED ASSEMBLY WITH RECEPTACLE BACKSHELL

<b>ENTER DESCRIPTION</b> IEC NO: UAU2014-0008 DRAWN BY: 2013/07/02 CHYK: APPR: WKSHY 2013/08/26 DESCRIPTION	QUALITY SYMBOLS ▽=0 ▽=0 ▽=0		GENERAL TOLERANCES (UNLESS SPECIFIED) mm INCH 4 PLACES ± --- ± --- 3 PLACES ± --- ± --- 2 PLACES ± 0.10 ± --- 1 PLACE ± 0.3 ± --- 0 PLACE ± ±		DIMENSION STYLE MM ONLY		SCALE 4:1	DESIGN UNITS METRIC	THIRD ANGLE PROJECTION
	ANGLAR ± 3 ° DRAFT WHERE APPLICABLE MUST REMAIN WITHIN DIMENSIONS		DRAWN BY DATE D. MARCOUX 06-13-02 CHECKED BY DATE D. GRIFFITHS 06-13-02 APPROVED BY DATE F. HOLUB 06-13-02		TITLE MX150 2X4 RECEPTACLE SEALED ASSEMBLY MAT SEAL		MATERIAL NO. DOCUMENT NO. SEE NOTE 2a SD-33472-081		SHEET NO. 6 OF 6
	THIS DRAWING CONTAINS INFORMATION THAT IS PROPRIETARY TO MOLEX INCORPORATED AND SHOULD NOT BE USED WITHOUT WRITTEN PERMISSION								
	molex								

19 18 17 16 15 14 13 12 11 10 9 8 7 6 5 4 3 2 1



FOR ADDITIONAL INFORMATION SEE SD-33472-081

ABBREVIATION	DESCRIPTION	COLOR	MATERIAL
A-BLK	HOUSING KEYING OPTION A	BLACK	SPS/NYLON GF20
B-LG	HOUSING KEYING OPTION B	LIGHT GRAY	SPS/NYLON GF20
C-BR	HOUSING KEYING OPTION C	BROWN	SPS/NYLON GF20
D-GRN	HOUSING KEYING OPTION D	GREEN	SPS/NYLON GF20
D-BLK	HOUSING KEYING OPTION D	BLACK	SPS/NYLON GF20
C-DG	HOUSING KEYING OPTION C	DARK GRAY	SPS/NYLON GF20
D-SG	HOUSING KEYING OPTION D	STONE GRAY	SPS/NYLON GF20
A-Y	HOUSING KEYING OPTION A	YELLOW	SPS/NYLON GF20
GCO	GROMMET CAP (OPEN)	BLACK	SPS/NYLON GF20
GCP	GROMMET CAP (PLUGGED)	BLACK	SPS/NYLON GF20
PLR	PLR	NATURAL	SPS/NYLON GF20
CPA	CPA	RED	PBT GF20
M	MAT SEAL	LIGHT BLUE	INHERENTLY LUBRICATED SILICONE
R	RING SEAL	GREEN	INHERENTLY LUBRICATED SILICONE

ASSEMBLY DESCRIPTION	ASSEMBLY PART NUMBER	COMPONENT							BLOCKED TERMINALS								STATUS	COMMENTS	OPTIONAL ATTACHMENTS SOLD SEPERATELY	
		THE PRESENCE OF AN ABBREVIATION INDICATES THE PRESENCE OF THAT COMPONENT.							CAVITY WITH A NUMBER INDICATES BLOCKED TERMINAL POSITION CAVITY WITHOUT A NUMBER INDICATES OPEN TERMINAL POSITION										BACKSHELL WITH RIBS	BACKSHELL WITHOUT RIBS
		HOUSING KEY/COLOR	GROMMET CAP	PLR	CPA	MAT SEAL	RING SEAL	1	2	3	4	5	6	7	8					
KEY A, BLACK, W/O CPA	33472-0801	A-BLK	GCO	PLR		M	R												34951-0810	34951-0820
KEY B, LIGHT GRAY, W/O CPA	33472-0802	B-LG	GCO	PLR		M	R												34951-0810	34951-0820
KEY C, BROWN, W/O CPA	33472-0803	C-BR	GCO	PLR		M	R										NOT RECOMMENDED USE	PLEASE USE P/N 33472-0879	34951-0810	34951-0820
KEY D, GREEN, W/O CPA	33472-0804	D-GRN	GCO	PLR		M	R										NOT RECOMMENDED USE	PLEASE USE P/N 33472-0880	34951-0810	34951-0820
KEY D, BLACK, W/O CPA	33472-0805	D-BLK	GCO	PLR		M	R												34951-0810	34951-0820
KEY A, BLACK, W/CPA	33472-0806	A-BLK	GCO	PLR	CPA	M	R												34951-0810	34951-0820
KEY B, LIGHT GRAY, W/CPA	33472-0807	B-LG	GCO	PLR	CPA	M	R												34951-0810	34951-0820
KEY C, BROWN, W/CPA	33472-0808	C-BR	GCO	PLR	CPA	M	R										NOT RECOMMENDED USE	PLEASE USE P/N 33472-0881	34951-0810	34951-0820
KEY D, GREEN, W/CPA	33472-0809	D-GRN	GCO	PLR	CPA	M	R										NOT RECOMMENDED USE	PLEASE USE P/N 33472-0882	34951-0810	34951-0820
VOID KEY	33472-0810																			
KEY A, BLACK, W/O CPA	33472-0811	A-BLK	GCP	PLR		M	R					4							34951-0810	34951-0820
KEY B, LIGHT GRAY, W/O CPA	33472-0812	B-LG	GCP	PLR		M	R					4							34951-0810	34951-0820
KEY C, BROWN, W/O CPA	33472-0813	C-BR	GCP	PLR		M	R					4					NOT RECOMMENDED		34951-0810	34951-0820
KEY D, GREEN, W/O CPA	33472-0814	D-GRN	GCP	PLR		M	R					4					NOT RECOMMENDED		34951-0810	34951-0820
VOID KEY	33472-0815																			
KEY A, BLACK, W/CPA	33472-0816	A-BLK	GCP	PLR	CPA	M	R					4							34951-0810	34951-0820
KEY B, LIGHT GRAY, W/CPA	33472-0817	B-LG	GCP	PLR	CPA	M	R					4							34951-0810	34951-0820
KEY C, BROWN, W/CPA	33472-0818	C-BR	GCP	PLR	CPA	M	R					4					NOT RECOMMENDED		34951-0810	34951-0820
KEY D, GREEN, W/CPA	33472-0819	D-GRN	GCP	PLR	CPA	M	R					4					NOT RECOMMENDED	PLEASE USE P/N 33472-1009	34951-0810	34951-0820
VOID KEY	33472-0820																			
KEY A, BLACK, W/O CPA	33472-0821	A-BLK	GCP	PLR		M	R					4	5						34951-0810	34951-0820
KEY B, LIGHT GRAY, W/O CPA	33472-0822	B-LG	GCP	PLR		M	R					4	5						34951-0810	34951-0820
KEY C, BROWN, W/O CPA	33472-0823	C-BR	GCP	PLR		M	R					4	5				NOT RECOMMENDED		34951-0810	34951-0820
KEY D, GREEN, W/O CPA	33472-0824	D-GRN	GCP	PLR		M	R					4	5				NOT RECOMMENDED		34951-0810	34951-0820
VOID KEY	33472-0825																			
KEY A, BLACK, W/CPA	33472-0826	A-BLK	GCP	PLR	CPA	M	R					4	5						34951-0810	34951-0820
KEY B, LIGHT GRAY, W/CPA	33472-0827	B-LG	GCP	PLR	CPA	M	R					4	5						34951-0810	34951-0820
KEY C, BROWN, W/CPA	33472-0828	C-BR	GCP	PLR	CPA	M	R					4	5				NOT RECOMMENDED		34951-0810	34951-0820
KEY D, GREEN, W/CPA	33472-0829	D-GRN	GCP	PLR	CPA	M	R					4	5				NOT RECOMMENDED	PLEASE USE P/N 33472-1010	34951-0810	34951-0820
VOID KEY	33472-0830																			
KEY A, BLACK, W/O CPA	33472-0831	A-BLK	GCP	PLR		M	R	1				4	5						34951-0810	34951-0820
KEY B, LIGHT GRAY, W/O CPA	33472-0832	B-LG	GCP	PLR		M	R	1				4	5						34951-0810	34951-0820
KEY C, BROWN, W/O CPA	33472-0833	C-BR	GCP	PLR		M	R	1				4	5				NOT RECOMMENDED		34951-0810	34951-0820
KEY D, GREEN, W/O CPA	33472-0834	D-GRN	GCP	PLR		M	R	1				4	5				NOT RECOMMENDED		34951-0810	34951-0820
VOID KEY	33472-0835																			
KEY A, BLACK, W/CPA	33472-0836	A-BLK	GCP	PLR	CPA	M	R	1				4	5						34951-0810	34951-0820
KEY B, LIGHT GRAY, W/CPA	33472-0837	B-LG	GCP	PLR	CPA	M	R	1				4	5						34951-0810	34951-0820
KEY C, BROWN, W/CPA	33472-0838	C-BR	GCP	PLR	CPA	M	R	1				4	5				NOT RECOMMENDED		34951-0810	34951-0820
KEY D, GREEN, W/CPA	33472-0839	D-GRN	GCP	PLR	CPA	M	R	1				4	5				NOT RECOMMENDED		34951-0810	34951-0820
VOID KEY	33472-0840																			
KEY A, BLACK, W/O CPA	33472-0841	A-BLK	GCP	PLR		M	R	1				4	5						34951-0810	34951-0820
KEY B, LIGHT GRAY, W/O CPA	33472-0842	B-LG	GCP	PLR		M	R	1				4	5						34951-0810	34951-0820





ASSEMBLY DESCRIPTION	ASSEMBLY PART NUMBER	COMPONENT						BLOCKED TERMINALS								STATUS	COMMENTS	OPTIONAL ATTACHMENTS SOLD SEPERATELY	
		THE PRESENCE OF AN ABBREVIATION INDICATES THE PRESENCE OF THAT COMPONENT.						CAVITY WITH A NUMBER INDICATES BLOCKED TERMINAL POSITION CAVITY WITHOUT A NUMBER INDICATES OPEN TERMINAL POSITION										BACKSHELL WITH RIBS	BACKSHELL WITHOUT RIBS
		HOUSING KEY/COLOR	GROMMET CAP	PLR	CPA	MAT SEAL	RING SEAL	1	2	3	4	5	6	7	8				
KEY A, BLACK, W/O CPA	33472-1006	A-BLK	GCP	PLR		M	R	1	2	3	4	5	6				34951-0810	34951-0820	
KEY A, BLACK, W/CPA	33472-1007	A-BLK	GCP	PLR	CPA	M	R						6	7			34951-0810	34951-0820	
KEY A, BLACK, W/CPA	33472-1008	A-BLK	GCP	PLR	CPA	M	R							7			34951-0810	34951-0820	
KEY D, STONE GRAY, W/CPA	33472-1009	D-SG	GCP	PLR	CPA	M	R				4						34951-0810	34951-0820	
KEY D, STONE GRAY, W/CPA	33472-1010	D-SG	GCP	PLR	CPA	M	R				4	5					34951-0810	34951-0820	
KEY D, STONE GRAY, W/CPA	33472-1011	D-SG	GCP	PLR	CPA	M	R				4	5	6				34951-0810	34951-0820	
KEY A, BLACK, W/O CPA	33472-1012	A-BLK	GCP	PLR		M	R				4			7	8		34951-0810	34951-0820	
KEY A, BLACK, W/CPA	33472-1013	A-BLK	GCP	PLR	CPA	M	R			3	4	5	6	7	8		34951-0810	34951-0820	
KEY A, BLACK, W/O CPA	33472-1014	A-BLK	GCP	PLR		M	R			3	4	5	6	7	8		34951-0810	34951-0820	
KEY A, BLACK, W/CPA	33472-1015	A-BLK	GCP	PLR	CPA	M	R				4			7	8		34951-0810	34951-0820	
KEY A, BLACK, W/O CPA	33472-1016	A-BLK	GCP	PLR		M	R						6	7	8		34951-0810	34951-0820	
KEY A, BLACK, W/O CPA	33472-1017	A-BLK	GCP	PLR		M	R	1		3	4				8		34951-0810	34951-0820	
KEY A, BLACK, W/CPA	33472-1018	A-BLK	GCP	PLR	CPA	M	R					5	6	7	8		34951-0810	34951-0820	
KEY A, BLACK, W/CPA	33472-1019	A-BLK	GCP	PLR	CPA	M	R							7	8		34951-0810	34951-0820	
KEY A, BLACK, W/CPA	33472-1020	A-BLK	GCP	PLR	CPA	M	R		2	3	4		6	7	8		34951-0810	34951-0820	
KEY A, BLACK, W/CPA	33472-1021	A-BLK	GCP	PLR	CPA	M	R	1	2	3	4	5	6	7	8		34951-0810	34951-0820	
KEY A, BLACK, W/CPA	33472-1022	A-BLK	GCP	PLR	CPA	M	R	1				5					34951-0810	34951-0820	
KEY A, BLACK, W/O CPA	33472-1023	A-BLK	GCP	PLR		M	R					5	6	7	8		34951-0810	34951-0820	
KEY A, BLACK, W/O CPA	33472-1024	A-BLK	GCP	PLR		M	R			3	4						34951-0810	34951-0820	
KEY D, STONE GRAY, W/O CPA	33472-1025	D-SG	GCP	PLR		M	R				4	5	6				34951-0810	34951-0820	
KEY D, STONE GRAY, W/O CPA	33472-1026	D-SG	GCP	PLR		M	R				4						34951-0810	34951-0820	
KEY B, LIGHT GRAY, W/O CPA	33472-1027	B-LG	GCP	PLR		M	R							7	8		34951-0810	34951-0820	
KEY A, BLACK, W/O CPA	33472-1028	A-BLK	GCP	PLR		M	R	1	2	3	4			7	8		34951-0810	34951-0820	
KEY A, BLACK, W/O CPA	33472-1029	A-BLK	GCP	PLR		M	R			3	4				8		34951-0810	34951-0820	
KEY A, BLACK, W/O CPA	33472-1030	A-BLK	GCP	PLR		M	R	1	2	3	4	5		7			34951-0810	34951-0820	
KEY A, BLACK, W/O CPA	33472-1031	A-BLK	GCP	PLR		M	R					5					34951-0810	34951-0820	
KEY A, BLACK, W/O CPA	33472-1032	A-BLK	GCP	PLR		M	R		2			5					34951-0810	34951-0820	
KEY B, LIGHT GRAY, W/O CPA	33472-1033	B-LG	GCP	PLR		M	R	1		3					8		34951-0810	34951-0820	
KEY B, LIGHT GRAY, W/O CPA	33472-1034	B-LG	GCP	PLR		M	R			3					8		34951-0810	34951-0820	
KEY B, LIGHT GRAY, W/O CPA	33472-1035	B-LG	GCP	PLR		M	R	1									34951-0810	34951-0820	
KEY A, BLACK, W/O CPA	33472-1036	A-BLK	GCP	PLR		M	R	1							8		34951-0810	34951-0820	
KEY A, BLACK, W/O CPA	33472-1037	A-BLK	GCP	PLR		M	R						6		8		34951-0810	34951-0820	
KEY A, BLACK, W/O CPA	33472-1038	A-BLK	GCP	PLR		M	R	1			4	5	6	7	8		34951-0810	34951-0820	
KEY A, BLACK, W/O CPA	33472-1039	A-BLK	GCP	PLR		M	R		2					7			34951-0810	34951-0820	
KEY B, LIGHT GRAY, W/O CPA	33472-1040	B-LG	GCP	PLR		M	R					5		7			34951-0810	34951-0820	
KEY A, BLACK, W/O CPA	33472-1041	A-BLK	GCP	PLR		M	R				4	5	6	7	8		34951-0810	34951-0820	
KEY A, BLACK, W/O CPA	33472-1042	A-BLK	GCP	PLR		M	R					5			8		34951-0810	34951-0820	
KEY A, BLACK, W/O CPA	33472-1043	A-BLK	GCP	PLR		M	R		2		4	5	6				34951-0810	34951-0820	