

D X X P 1 3 A 6 X X 0 9 L F

SERIES

NO.OF CONTACTS

09,15,25

TYPE OF CONTACTS

P-PIN

TYPE OF TERMINATION

13-ANGLED SPILL

PITCH 2.54

FOOT PRINT 10.40 EUROPE

HEIGHT OF TERMINATION

A-2.00mm COMPATIBLE FOR 1.6mm PCB

RoHS INFORMATIONS

"This LF product meets European Union Directives and other country regulations as described in GS-22-008"

The housing will withstand exposure to 260°C peak temperature for 30 seconds in a convection,infra-red or vapor reflow oven solder application.

Packaging as per GS-14-920

PRODUCT SPECIFICATION

See :- GS-12-433

PACKAGING SPECIFICATION

See :- GS-14-1157

SEE NOTE RoHS

PACKAGING SPECIFICATION

09-TRAY PACKAGING

MOUNTING OPTIONS

RV->LIF METAL PEG+F.SCREW LOCK UNC 4 40+METAL BRACKET

RL->LIF METAL PEG+ INSERT M3+METAL BRACKET

RX->LIF METAL PEG+ INSERT UNC 4-40 +METAL BRACKET

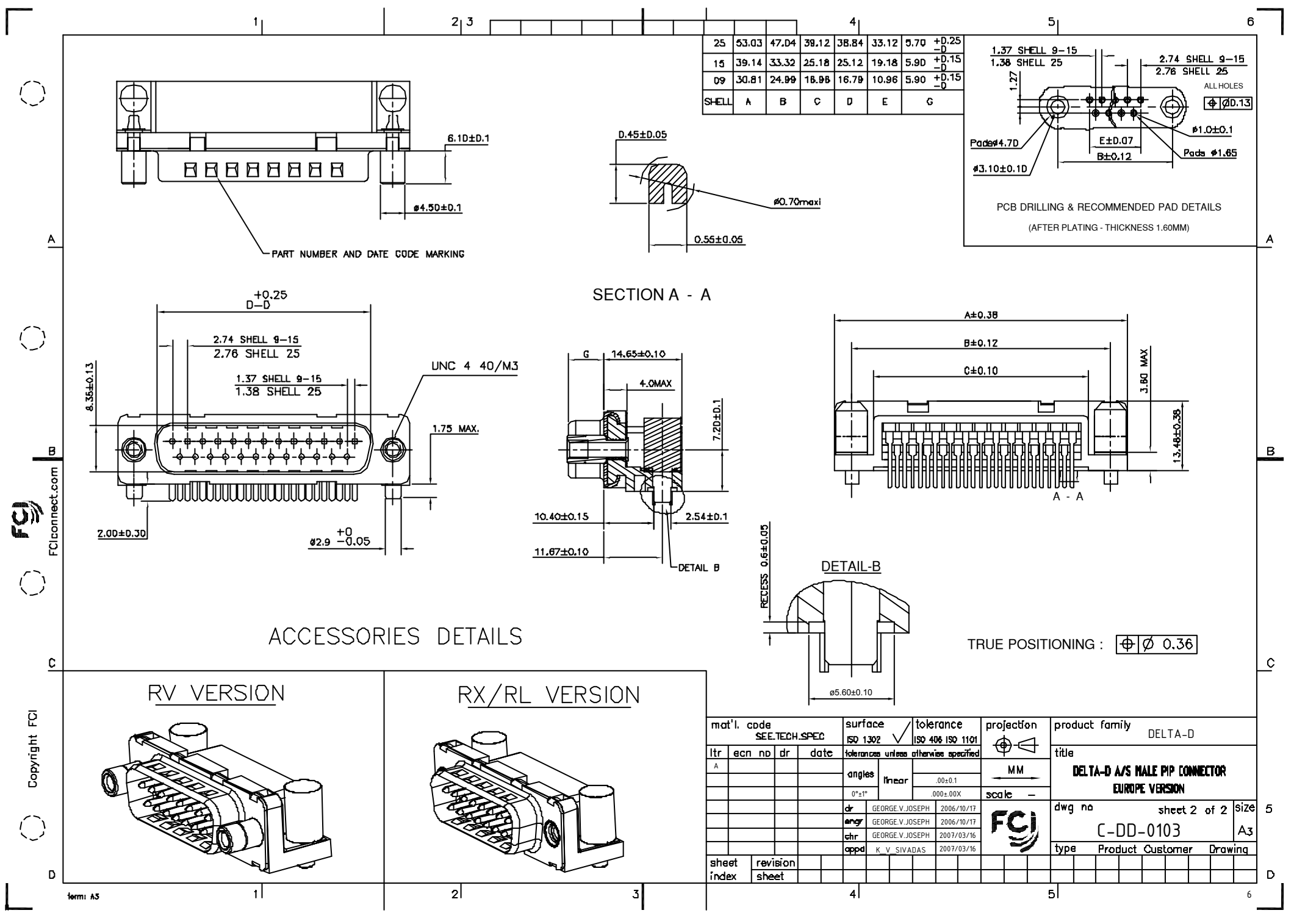
PLATING

6-500 Mating/Un-mating performance

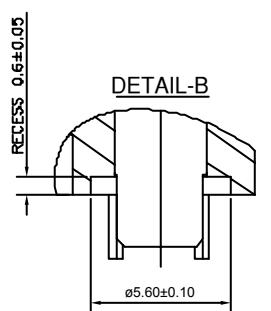
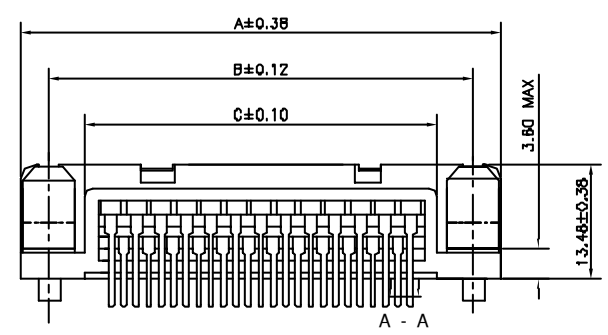
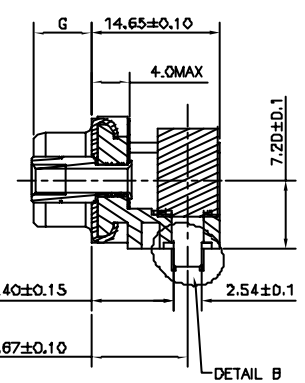
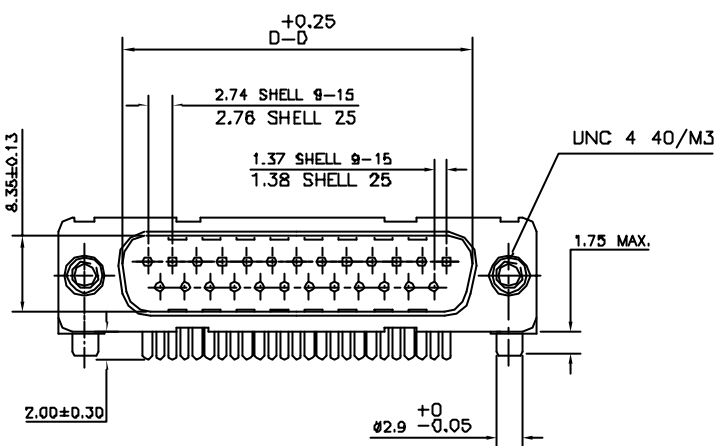
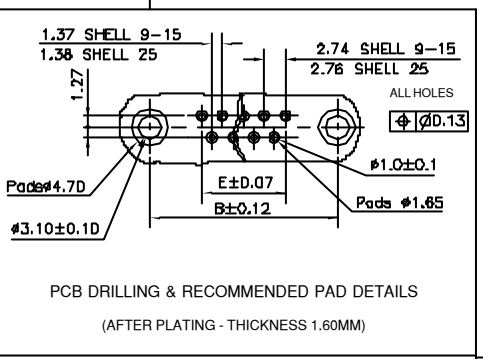


Copyright FCI

mat'l. code SEE TECH.SPEC				surface ISO 1302 ✓		tolerance ISO 406 ISO 1101		projection 		product family DELTA-D			
litr				ecn no		dr		date		tolerances unless otherwise specified		title	
A				107-0038		GVJ		2007-03-16		angles		DELTA-D A/S MALE PIP CONNECTOR EUROPE VERSION	
										linear		MM	
										.00±0.1		scale -	
										0°±1°			
										.000±.00X			
						dr		GEORGE.V.JOSEPH		2006/10/17		dwg no	
						engr		GEORGE.V.JOSEPH		2006/10/17		sheet 1 of 2	
						chr		GEORGE.V.JOSEPH		2007/03/16		size	
						appd		K.V.SIVADAS		2007/03/16		A3	
sheet index				revision sheet		A		A				type	
				1		2						Product Customer Drawing	



25	53.03	47.04	38.12	38.84	33.12	5.70	+0.25 -0
15	39.14	33.32	25.18	25.12	19.18	5.90	+0.15 -0
09	30.81	24.99	18.98	16.79	10.96	5.90	+0.15 -0
SHELL	A	B	C	D	E	G	



TRUE POSITIONING :  $\varnothing \varnothing 0.36$

mat'l. code SEE TECH. SPEC		surface ISO 1302 ✓		tolerance ISO 406 ISO 1101		projection 		product family DELTA-D	
ltr		ecn no		dr		date		title DELTA-D A/S MALE PIP CONNECTOR EUROPE VERSION	
A				angles		linear		MM	
				0°±1°		.00±0.1 .000±0.00X		scale -	
		dr		GEORGE.V.JOSEPH		2006/10/17		dwg no	
		engr		GEORGE.V.JOSEPH		2006/10/17		sheet 2 of 2	
		chr		GEORGE.V.JOSEPH		2007/03/16		size A3	
		appd		K.V.SIVADAS		2007/03/16		type Product Customer Drawing	
sheet index		revision sheet							

FCI connect.com

FCI

Copyright FCI