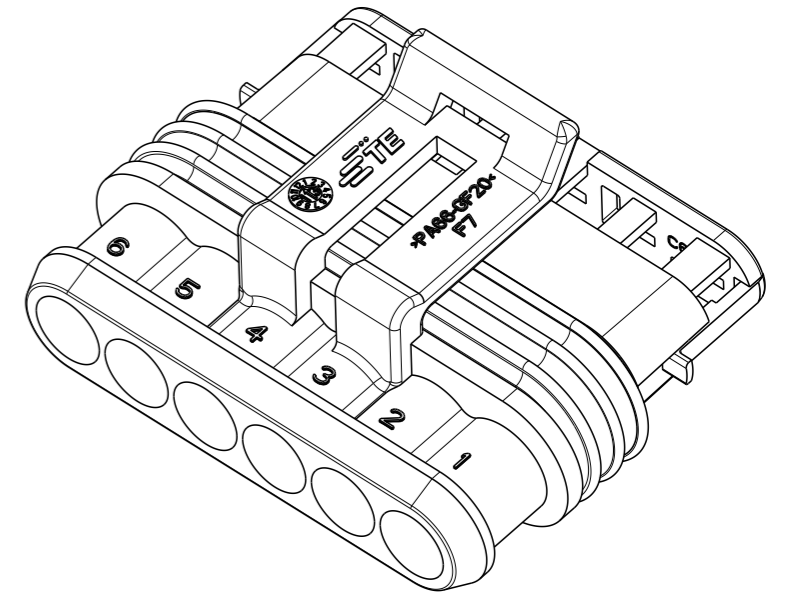
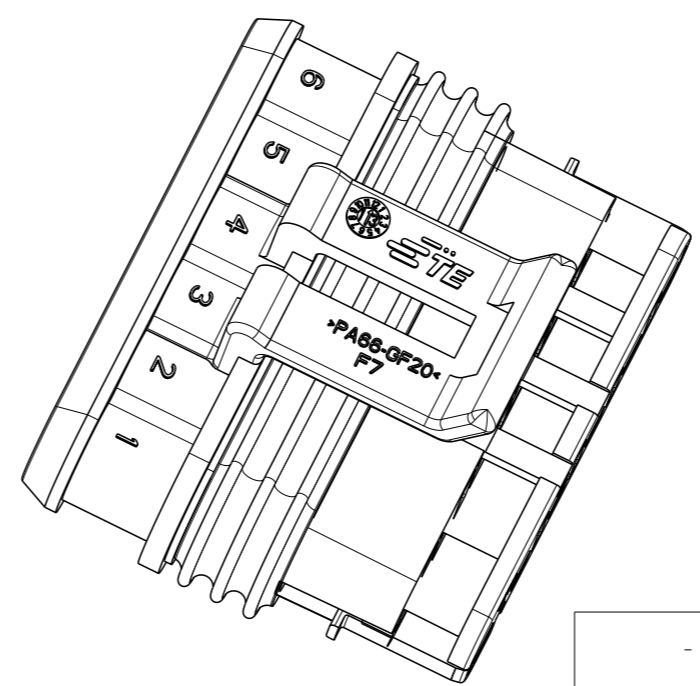
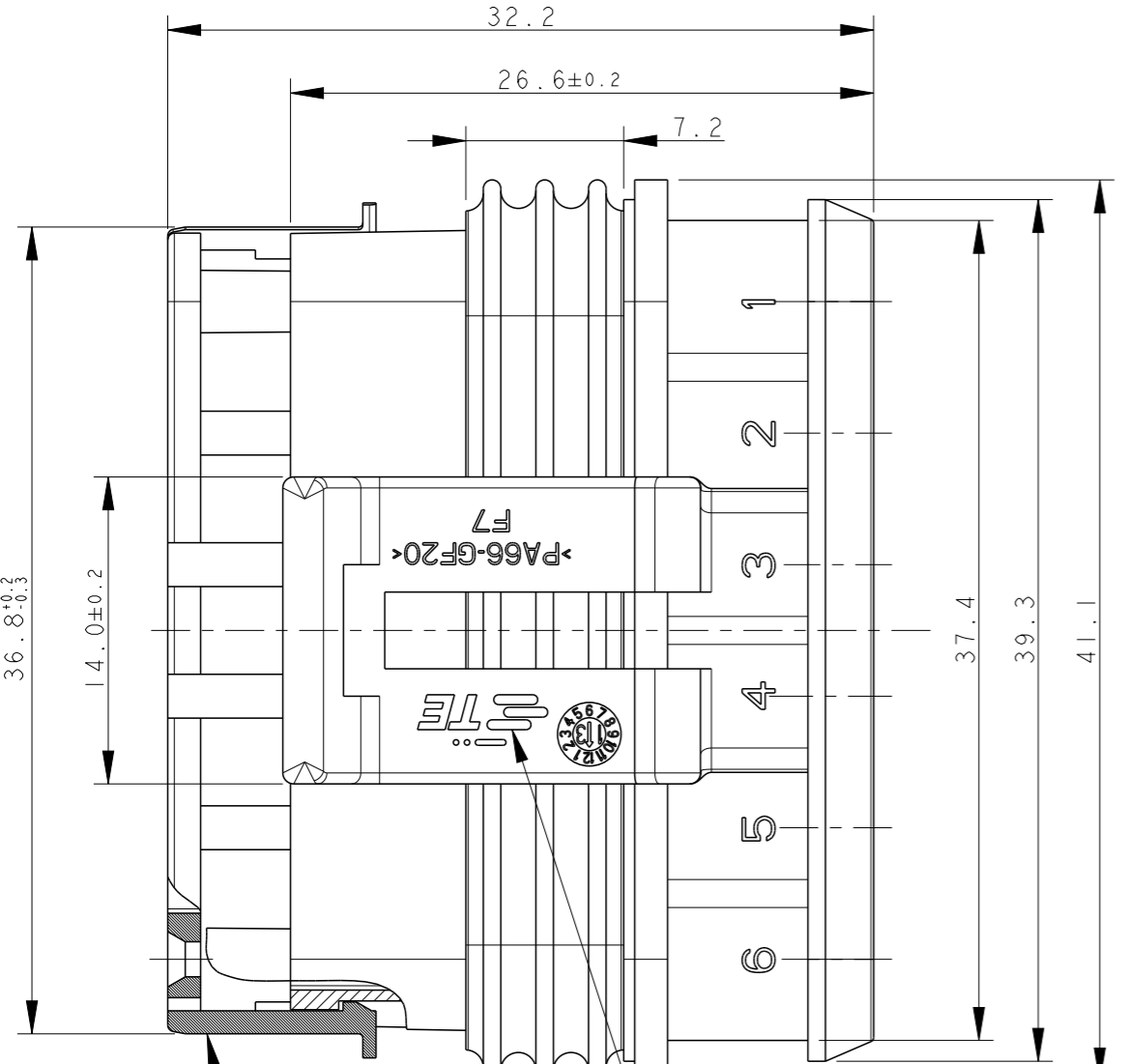
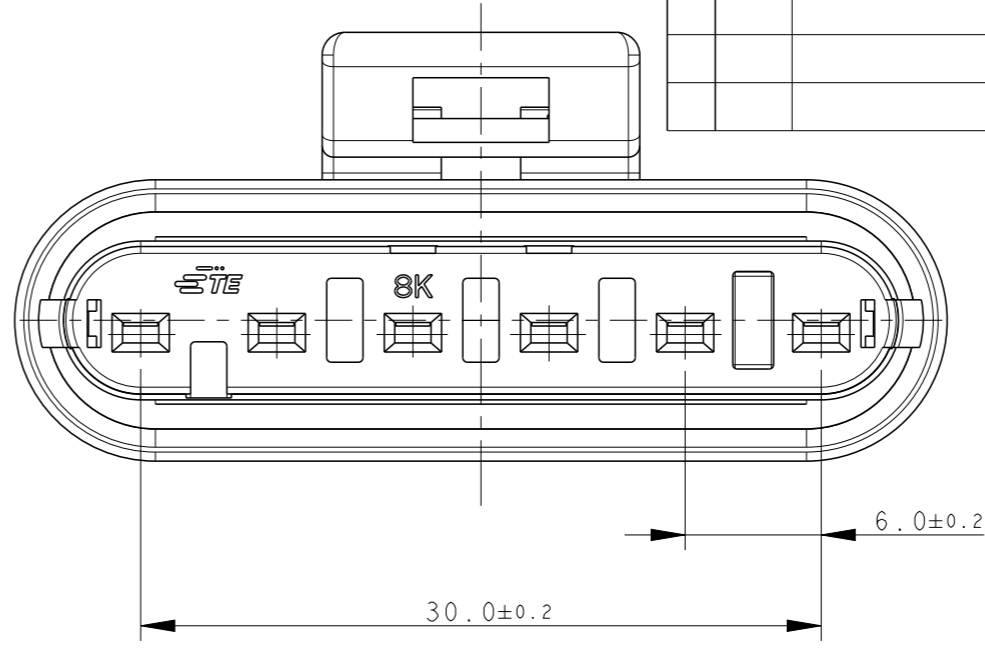
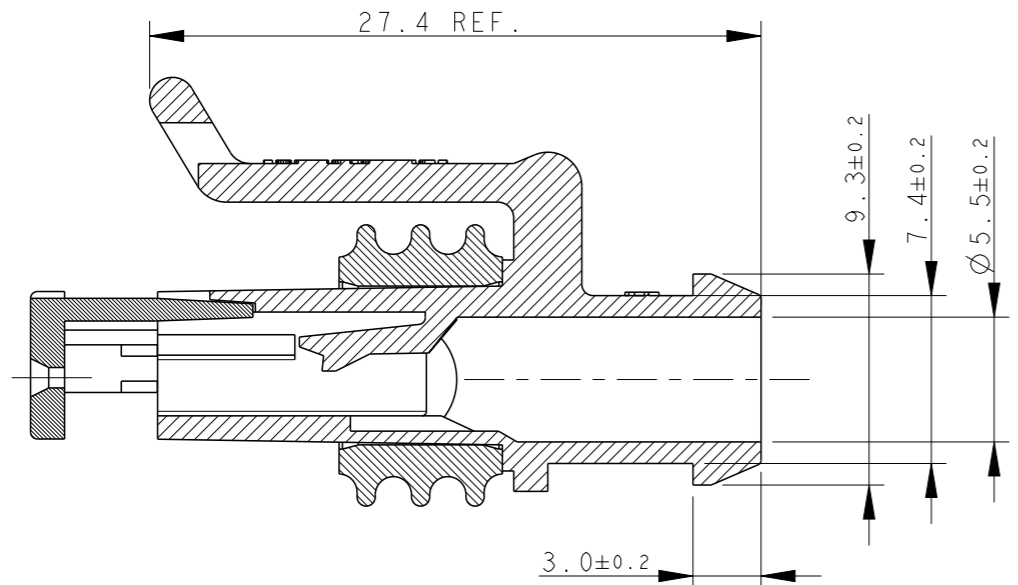


THIS DRAWING IS UNPUBLISHED. RELEASED FOR PUBLICATION 2011. ALL RIGHTS RESERVED.

REVISIONS					
P	LTR	DESCRIPTION	DATE	DWN	APVD
	E	ECR-14-009314	24MAR2015	M.P.	M.G.



1) FOR COUNTERPART DETAILS, SEE SHEET 2 OF 2

NOTE	FINISH/COLOR	MATERIAL	PART NUMBER
-	BLACK	PA66-GF	282090-1

TE CONNECTIVITY TRADE MARK, (IN ALTERNATIVE: "AMP" LOGO, OR "Tyco Electronics" LOGO)

SEALING (SILICONE RUBBER)

PRE-ASSEMBLED SECONDARY LOCK (RED COLOR)

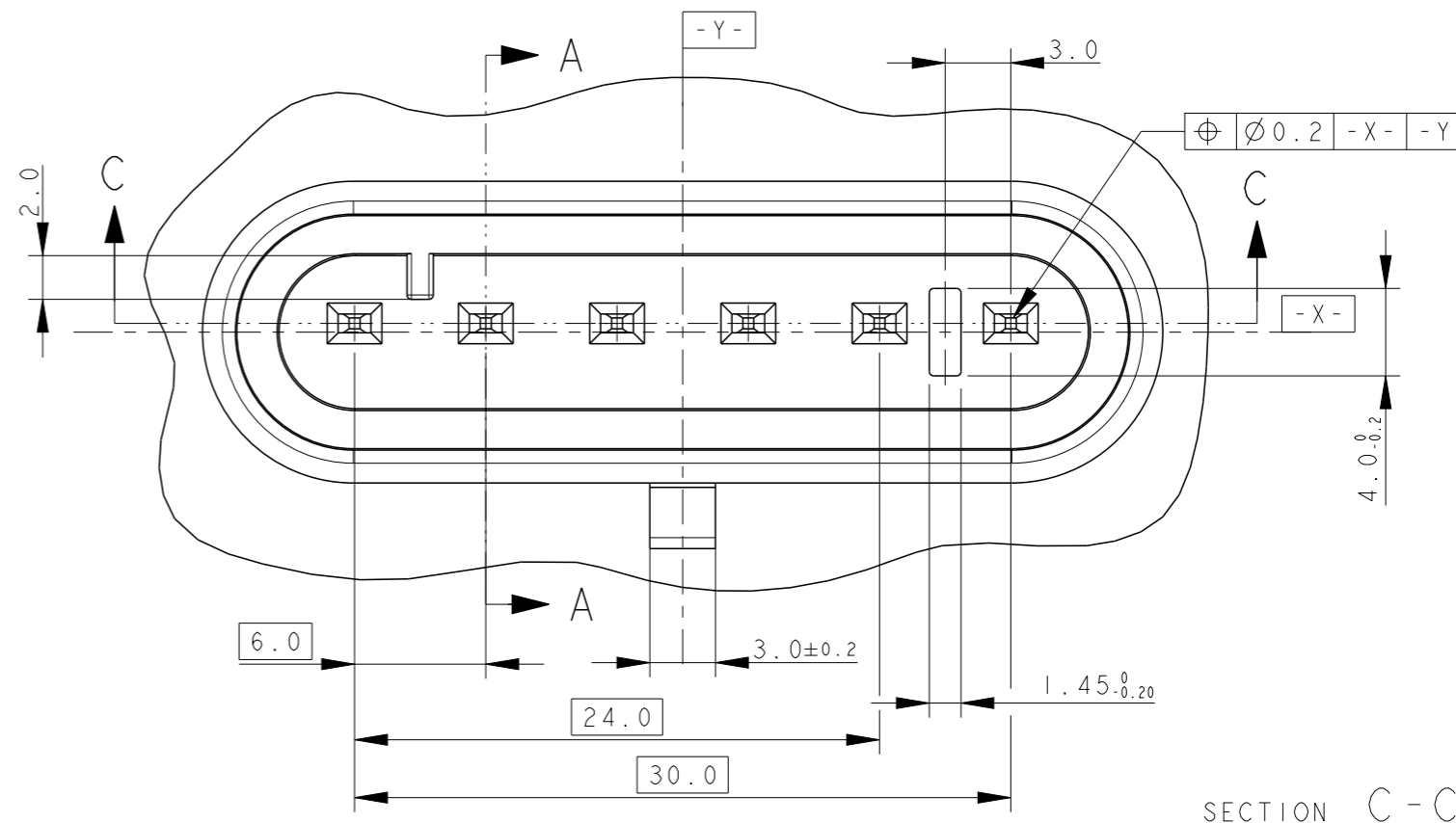
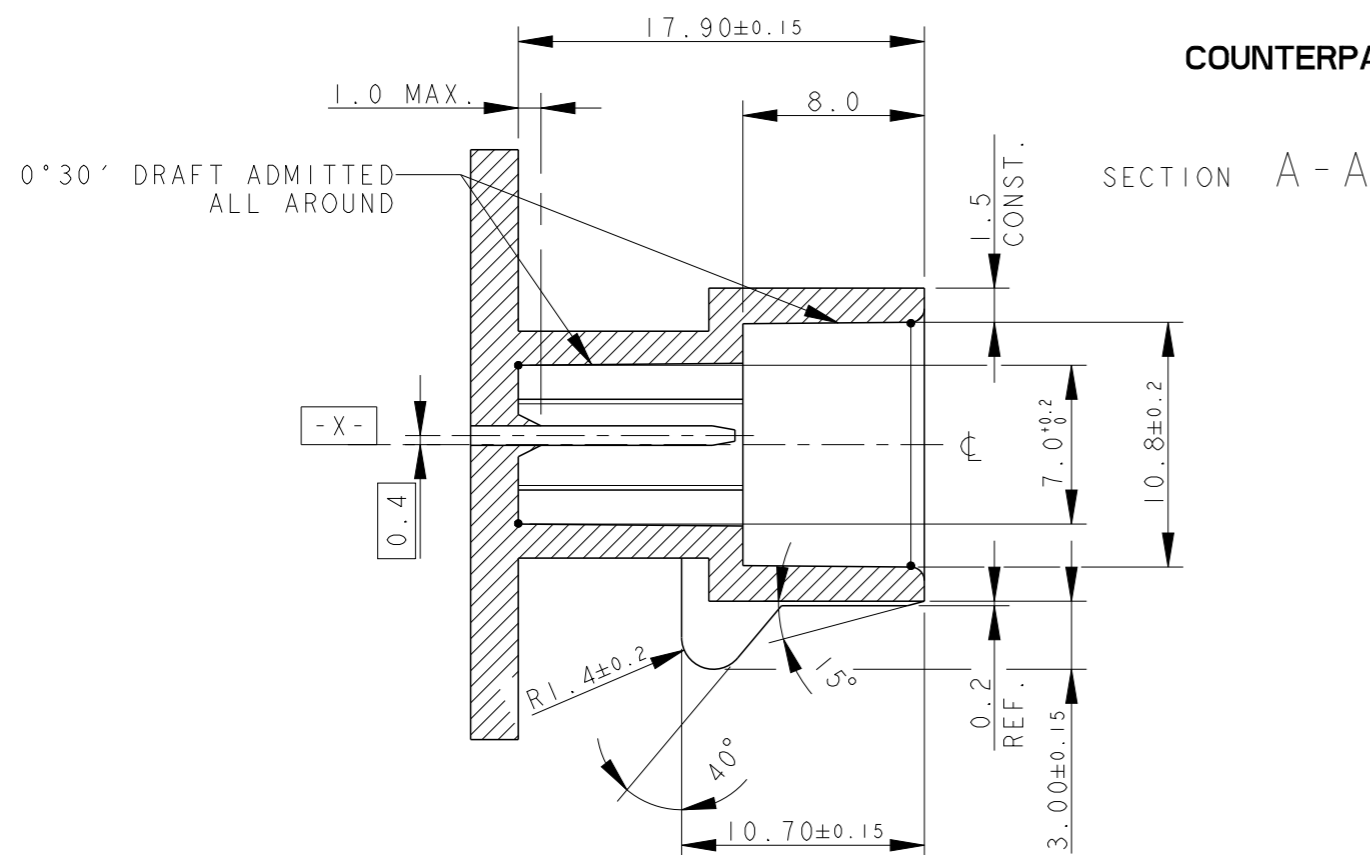
THIS DRAWING IS A CONTROLLED DOCUMENT.	
DIMENSIONS: mm	TOLERANCES UNLESS OTHERWISE SPECIFIED:
	0 PLC ±0.3
	1 PLC ±0.3
	2 PLC ±0.3
	3 PLC ±0.3
	4 PLC ±0.3
	ANGLES ±2°
MATERIAL: SEE TABLE (VEDI TABELLA)	FINISH: SEE TABLE (VEDI TABELLA)

DWN	C. BERTINI	05-1992
CHK	A. BRUNI	05-1992
APVD	-	-
PRODUCT SPEC	108-20090	
APPLICATION SPEC	412-20000	
WEIGHT	6.55gr	
CUSTOMER DRAWING		

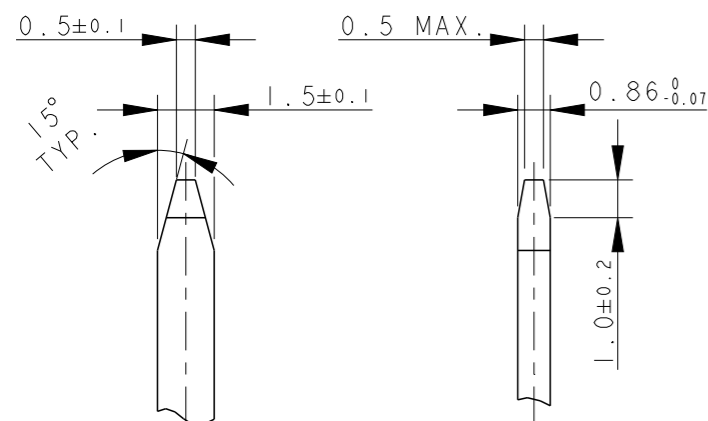
		TE Connectivity	
		AMP SUPERSEAL 1.5 SRS. 6 POSITIONS PLUG ASS'Y	
SIZE	CAGE CODE	DRAWING NO	RESTRICTED TO
A3	00779	C-282090	-
SCALE 3:1		SHEET 1 OF 2	REV E


P	LTR	DESCRIPTION	DATE	DWN	APVD
		SEE SHEET 1			

COUNTERPART DETAILS



TAB DETAILS



THIS DRAWING IS A CONTROLLED DOCUMENT.		DWN C. BERTINI 05-1992	 TE Connectivity		
DIMENSIONS: mm		CHK A. BRUNI 05-1992			
TOLERANCES UNLESS OTHERWISE SPECIFIED:		APVD -	NAME -		
<ul style="list-style-type: none"> 0 PLC ±- 1 PLC ±0.3 2 PLC ±- 3 PLC ±- 4 PLC ±- ANGLES ±2° 		PRODUCT SPEC 108-20090	AMP SUPERSEAL 1.5 SRS. 6 POSITIONS PLUG ASS'Y		
MATERIAL		APPLICATION SPEC 412-20000	SIZE A300779	DRAWING NO C-282090	RESTRICTED TO -
FINISH		WEIGHT 6.55gr	SCALE 5:1	SHEET 2 OF 2	REV E
		CUSTOMER DRAWING			

MATERIALS: PA66-GF FOR HOUSING
TIN PLATED BRASS FOR TABS