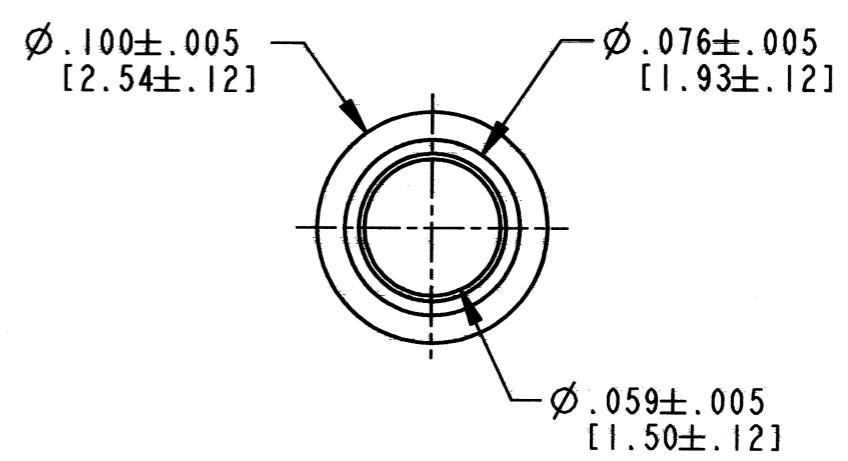
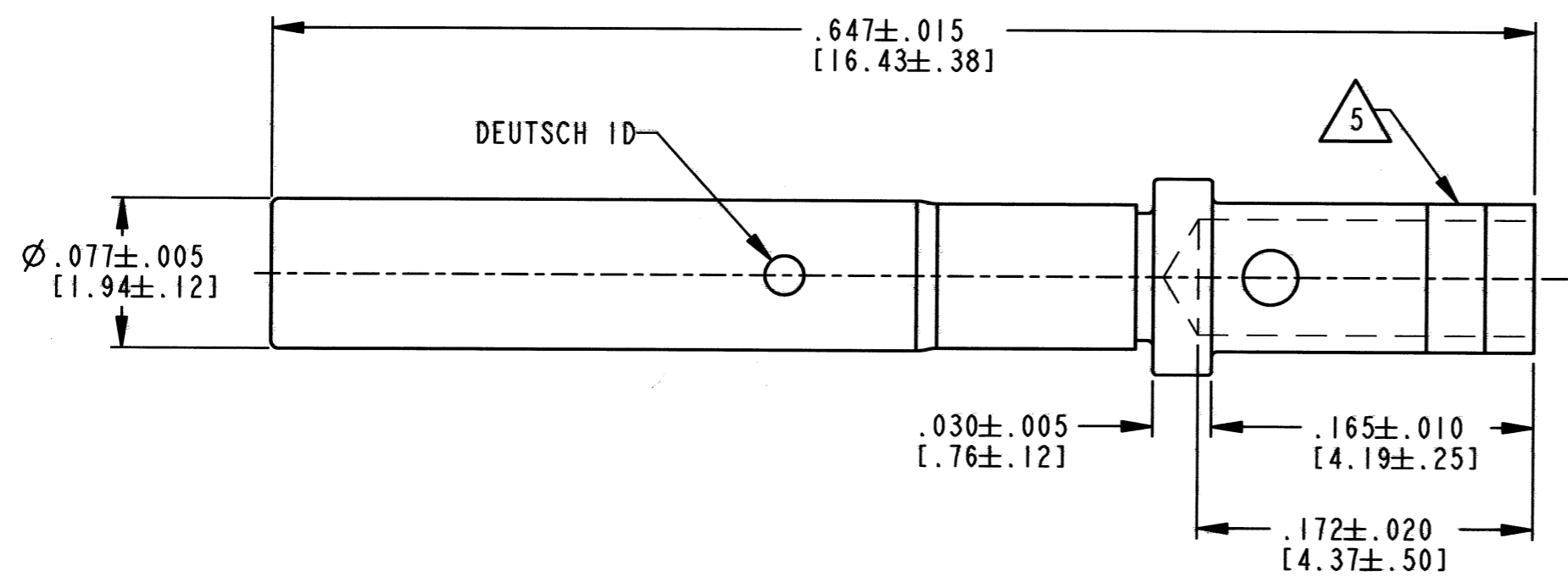


REV
B 0462-005-20**

REVISIONS			
SYM	DESCRIPTION	DATE	APPROVED
NC	NEW RELEASE PER E.O. P19622	9-19-07	R.D.R.
A	REVISED PER E.O.P20270	7-27-09	R.D.R.
B	REVISED PER E.O.P21283	1-25-12	RDR



- 5 SOCKET CONTACT IS IDENTIFIED BY A SINGE PURPLE STRIPE.
- 4. FOR CONTACT PERFORMANCE AND APPLICATION CHARACTERISTICS SEE DRAWING 0425-015-0000.
- 3. THIS CONTACT MAY BE CRIMPED WITH HDP-400 POWER PRESS OR HDT-48-00 HAND TOOL. SEE DRAWING 0425-205-0000 FOR APPLICABLE WIRE SIZE AND CRIMPING INFORMATION.
- 2. WHEN ** = 31: GOLD OVER NICKEL OVER COPPER
 WHEN ** = 141: NICKEL OVER COPPER
 WHEN ** = 309: TIN OVER NICKEL OVER COPPER
- 1. DIMENSIONS ARE IN INCHES [mm]

NOTES: UNLESS OTHERWISE SPECIFIED

SIGNATURE & DATE	
DR	D. MEYER 09-14-07
CHK	D. Meyer 2/23/12
PE	D. Meyer 2/23/12
APPD	R. Reed 2-23-12
SCALE NONE	WT _____

CONTACT SOCKET
 SIZE 20
 16-18 AWG

 ENVELOPE

EP	MATL. CODE
3850 INDUSTRIAL AVE. HEMET, CA 92545	
B 0462-005-20**	
DWG SIZE	CODE 11139 SHEET OF

