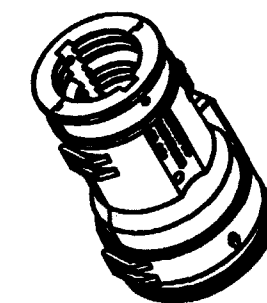
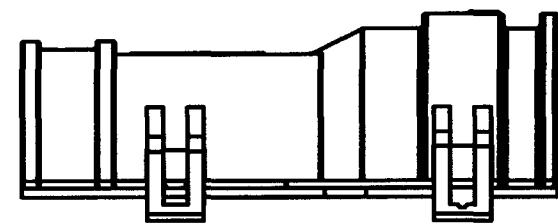
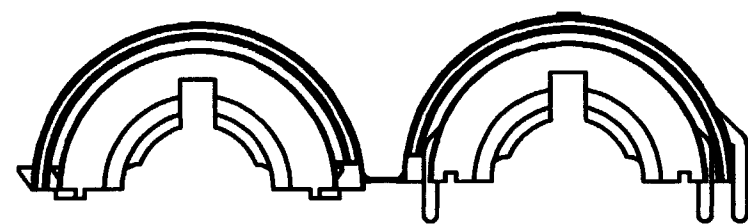
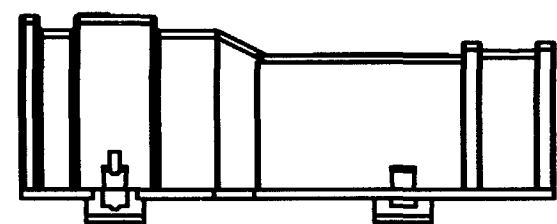
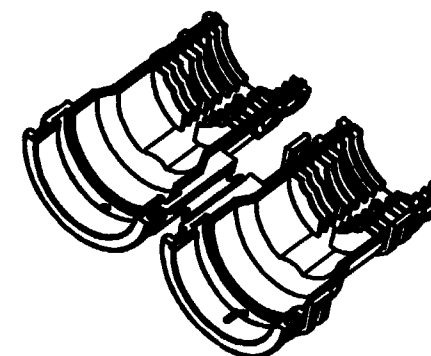
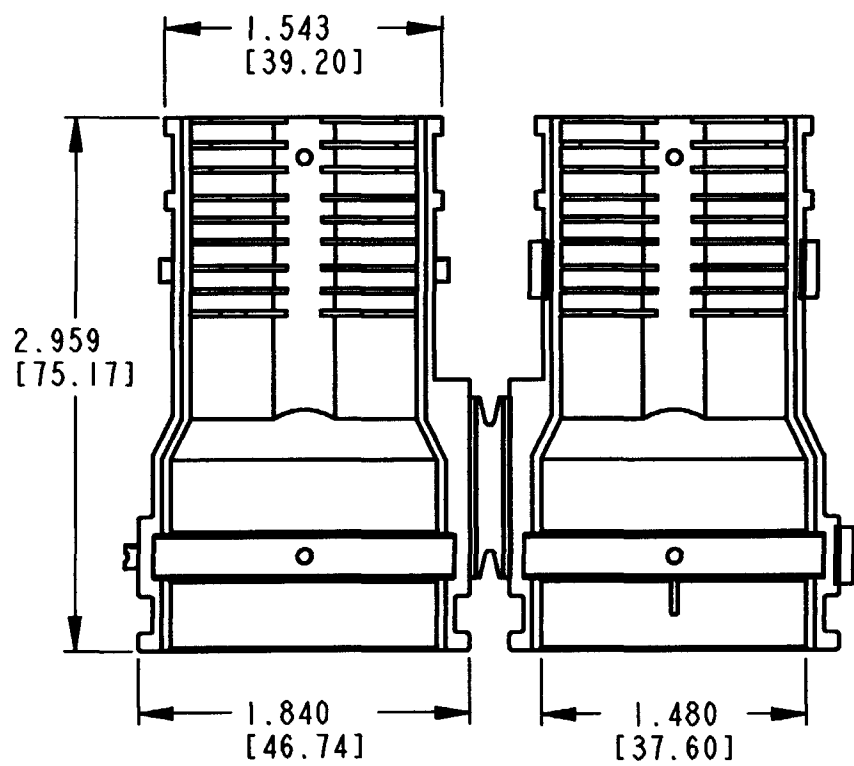


REV A	2428-010-2405	REVISIONS		
SYM	DESCRIPTION	DATE	APPROVED	
NC	NEW RELEASE PER E.O. P18688	12/11/07	R.D.R.	
A	REVISED PER E.O. P20010	10-1-08	RDR	



**3-D VIEW**  
CLOSED



**3-D VIEW**  
OPEN

- 5. MATERIAL: PLASTIC; COLOR: BLACK
- 4. THIS PART IS MANUFACTURED BY DI-EU, GERMANY.
- 3. THIS PART ACCOMMODATES CORRUGATED TUBES SIZES NW 17, 19, AND 26.
- 2. THIS PART MATES WITH HDP24/26-24-\*P/S\*-L017.

NOTES: 1. ALL DIMENSIONS ARE INCHES [MILLIMETERS] AND ARE ±.025[.63] UNLESS OTHERWISE SPECIFIED.

SIGNATURE & DATE	
DR	R. MESSENGER 10/20/04
CHK	<i>Jamie C. Grant 9/30/08</i>
PE	<i>R. Road 10-1-08</i>
APPD	<i>R. Road 10-1-08</i>
SCALE	NONE WT

STRAIGHT BACK SHELL  
24 SIZE  
NW 17, 19, 26 TUBES  
HDP SERIES

ENVELOPE

EP	MATL. CODE
3850 INDUSTRIAL AVE. HEMET, CA 92545	
<b>DEUTSCH INDUSTRIAL</b>	
<b>B</b>	2428-010-2405
DWG SIZE	CODE SHEET   OF