

THIS DRAWING IS UNPUBLISHED.

RELEASED FOR PUBLICATION

2011

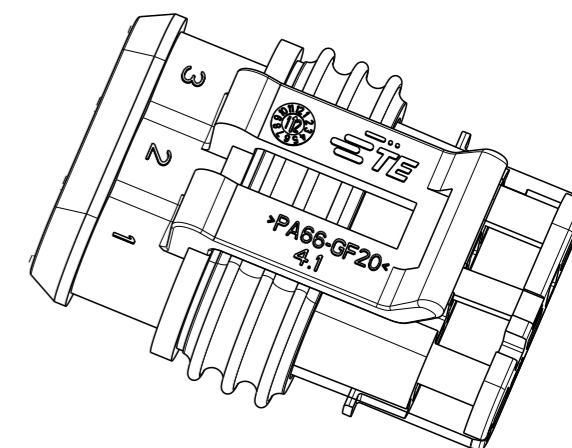
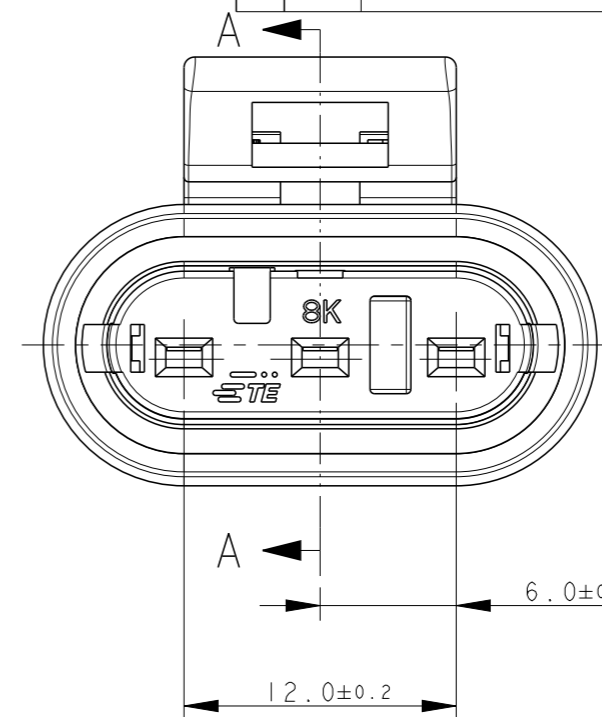
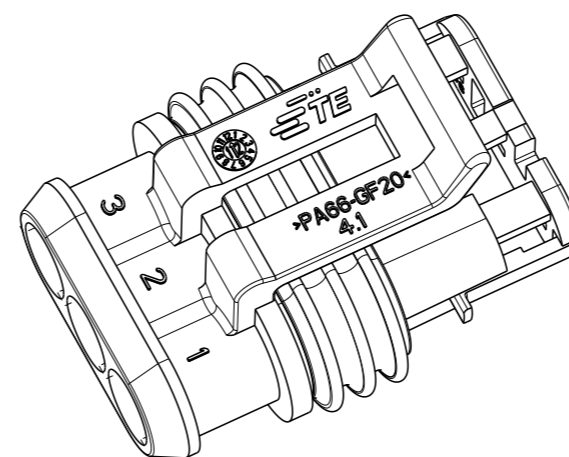
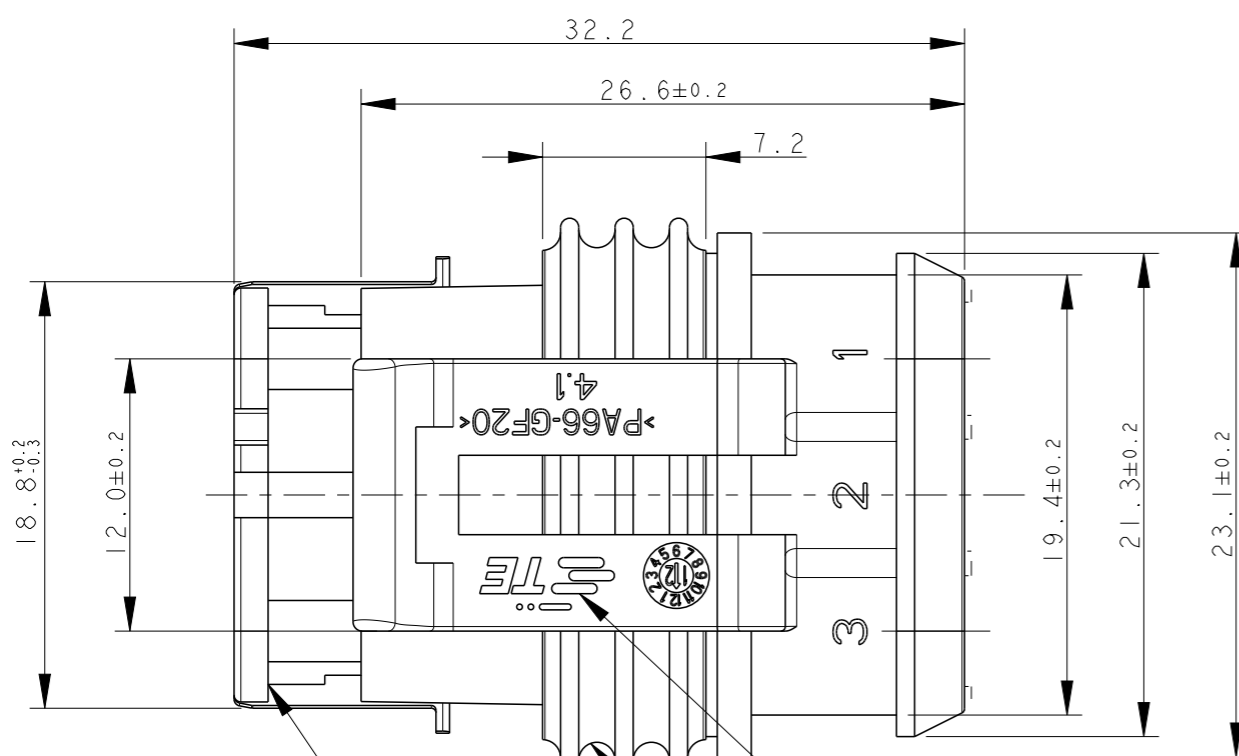
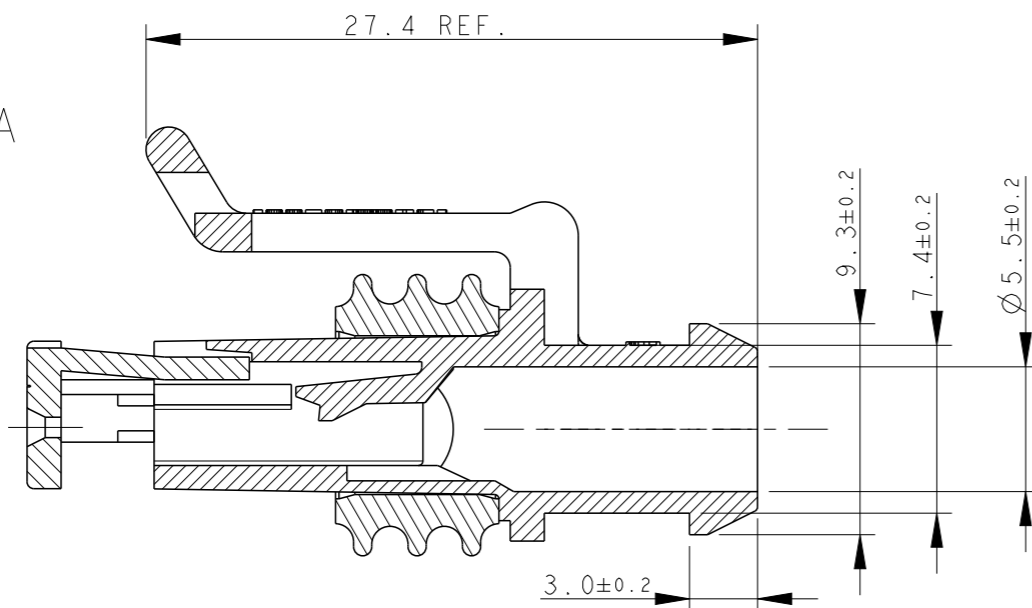
© COPYRIGHT 2011

ALL RIGHTS RESERVED.

REVISIONS

P	LTR	DESCRIPTION	DATE	DWN	APVD
B4		REVISED PER ECO-11-005033	02APR2011	RK	HMR
B5		REVISED BY ECR-11-024280	13DEC2011	M.F.	M.G.
C		ECR-14-009314	24MAR2015	M.P.	M.G.

SECTION A-A



1) FOR COUNTERPART DETAILS, SEE SHEET 2 OF 2

HOUSING: GRAY SEALING: YELLOW	HOUSING+SEC.LOCK: PA 66-GF SEALING:LSR (1% OIL CONTENT)	282087-2
HOUSING: BLACK SEALING: YELLOW		282087-1
FINISH/COLOR	MATERIAL	PART NUMBER

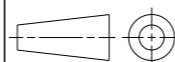
TE CONNECTIVITY TRADE MARK
(IN ALTERNATIVE: "AMP" LOGO OR "Tyco Electronics" LOGO)

SEALING
(SILICONE RUBBER)

PRE-ASSEMBLED SECONDARY LOCK
(RED COLOR)

THIS DRAWING IS A CONTROLLED DOCUMENT.

DIMENSIONS:
mm



TOLERANCES UNLESS OTHERWISE SPECIFIED:

0 PLC	±
1 PLC	±0.3
2 PLC	±
3 PLC	±
4 PLC	±
ANGLES	±2°

MATERIAL
SEE TABLE
(VEDI TABELLA)

FINISH
SEE TABLE
(VEDI TABELLA)

DWN 07-1990

CHK C. BERTINI

A. BRUNI 07-1990

APVD -

PRODUCT SPEC

108-20090

APPLICATION SPEC

412-20000

WEIGHT

3.65gr

Customer Drawing

07-1990

07-1990

-

-

-

-

SIZE

A3

CAGE CODE

300779

DRAWING NO

C=282087

RESTRICTED TO

-

SCALE

-

SHEET 1 OF 2

REV C

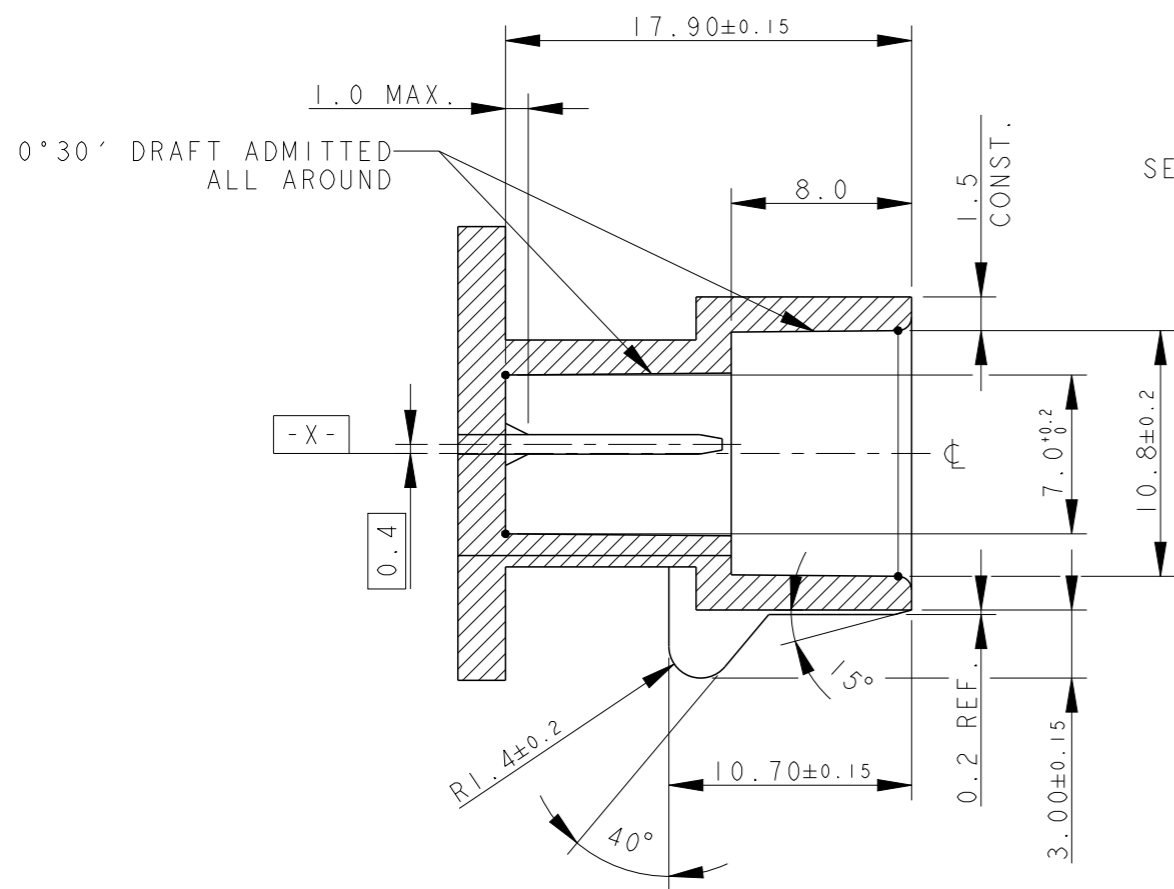


AMP SUPERSEAL 1.5 SRS.
3 POSITIONS PLUG ASS'Y

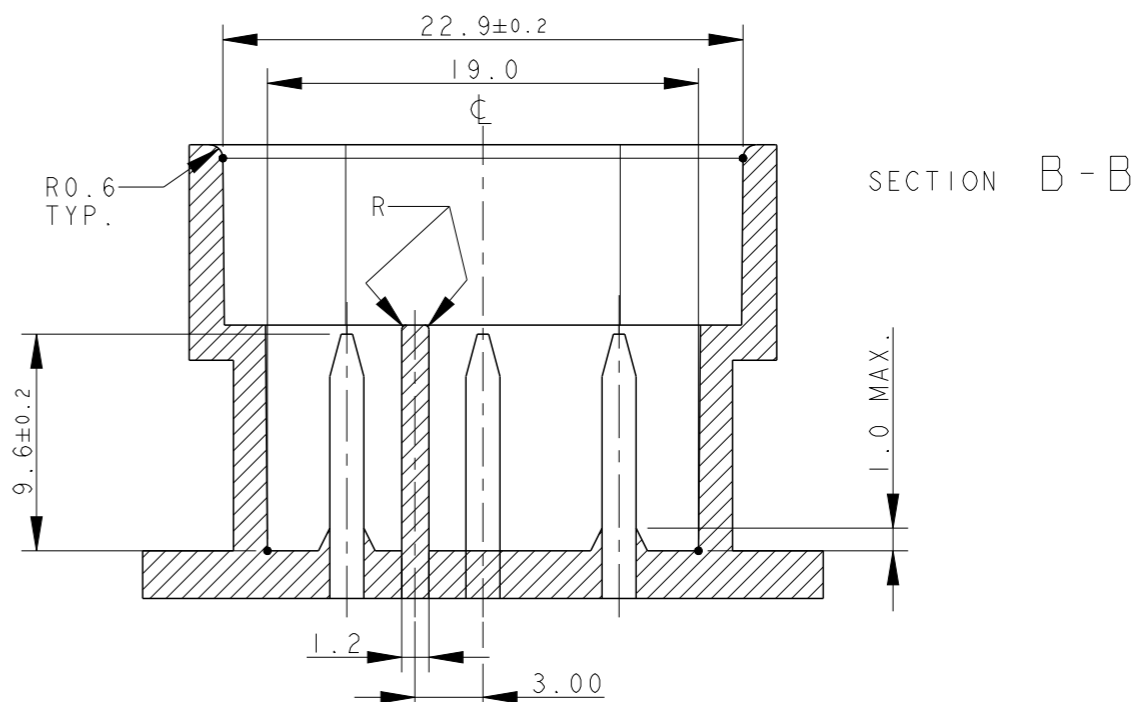
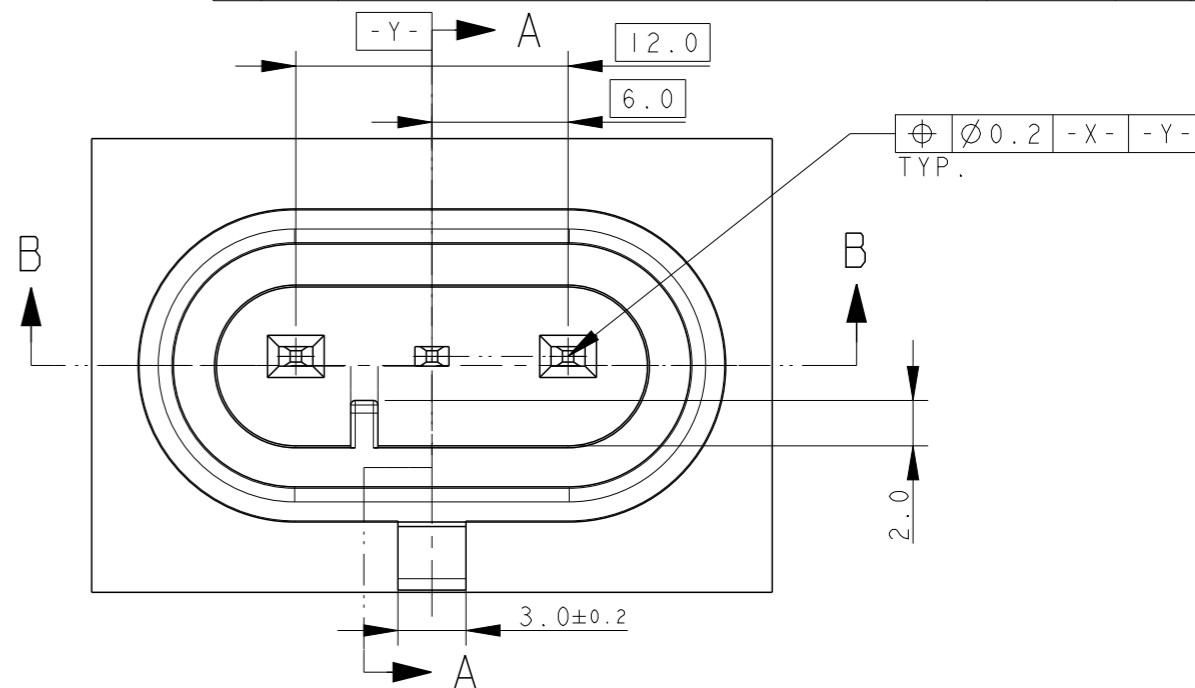
REVISIONS

P	LTR	DESCRIPTION	DATE	DWN	APVD
-	-	SEE SHEET 1	-	-	-

COUNTERPART DETAILS

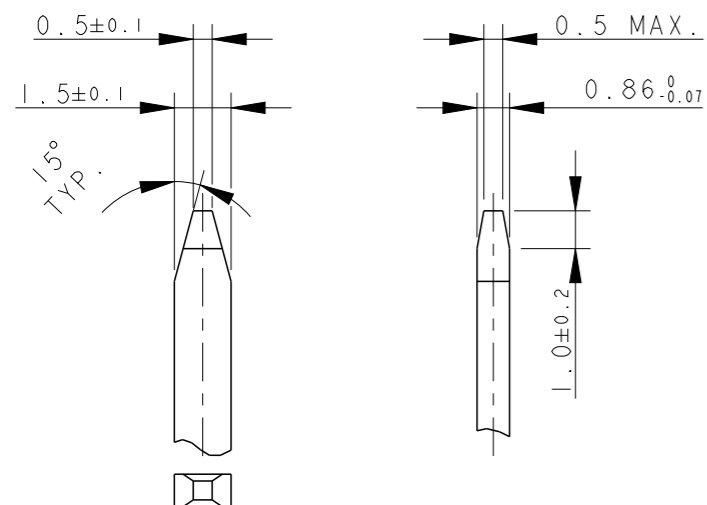


SECTION A - A



SECTION B - B

TAB DETAILS



MATERIALS: PA66-GF FOR HOUSING
TIN PLATED BRASS FOR TABS

THIS DRAWING IS A CONTROLLED DOCUMENT.		DWN C. BERTINI 07-1990	TE Connectivity		
DIMENSIONS: mm		CHK A. BRUNI 07-1990			
TOLERANCES UNLESS OTHERWISE SPECIFIED:		APVD -	NAME -		
0 PLC ± 1 PLC ±0.3 2 PLC ± 3 PLC ± 4 PLC ± ANGLES ±2°		PRODUCT SPEC 108-20090	AMP SUPERSEAL 1.5 SRS. 3 POSITIONS PLUG ASS'Y		
MATERIAL		APPLICATION SPEC 412-20000	SIZE A300779	DRAWING NO C-282087	RESTRICTED TO -
FINISH		WEIGHT 3.65gr	SCALE -	SHEET 2 OF 2	REV C
Customer Drawing					