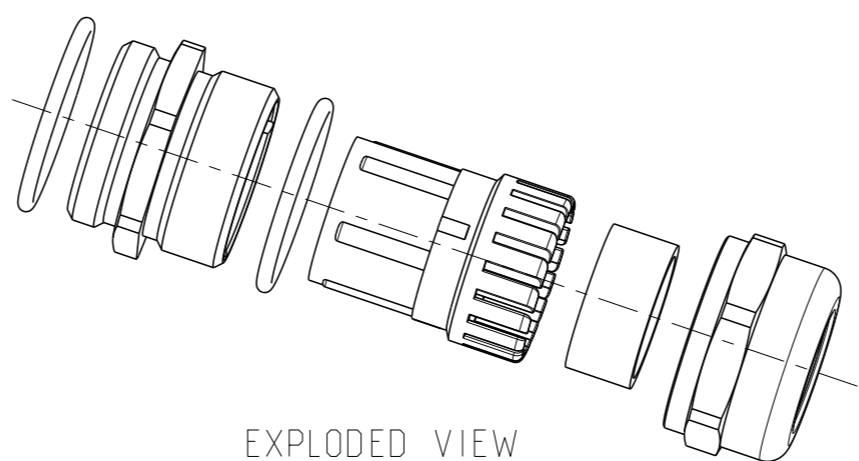
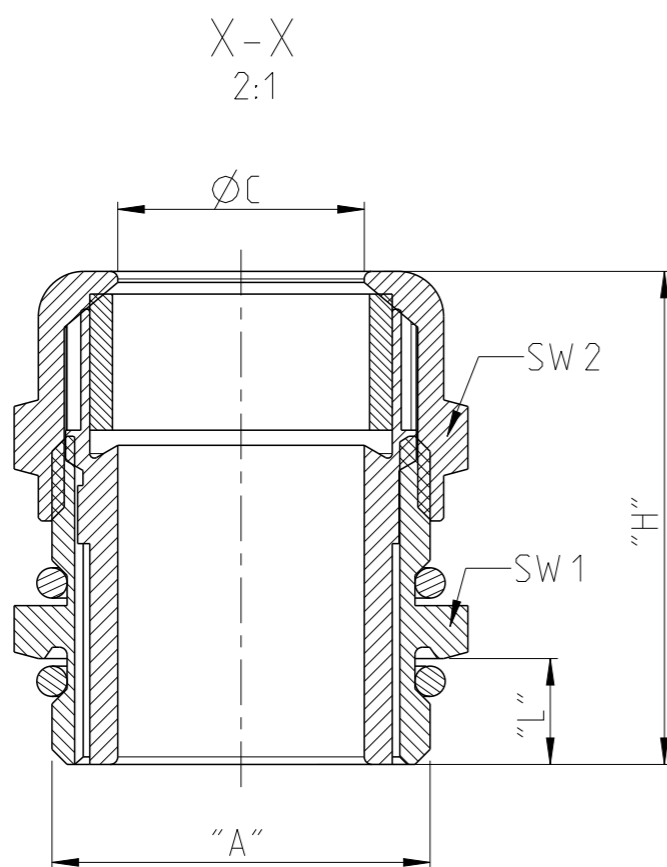
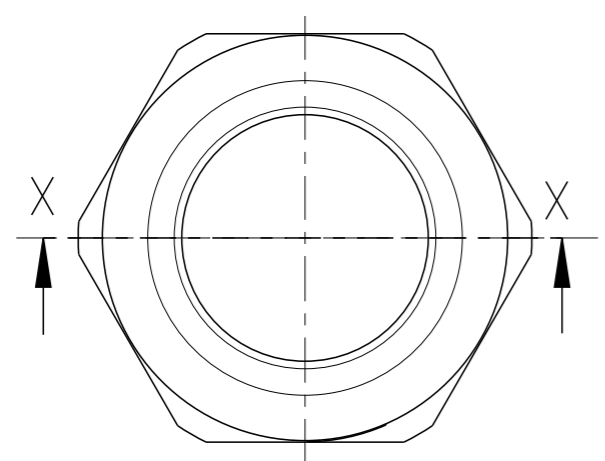


P	LTR	DESCRIPTION	DATE	DWN	APVD
	A3	REVISED PER ECO-11-010801	25MAY2011	HMR	MM
	A4	ECR-15-008928	25JUN2015	GSK	JB



Notes

- MATERIALS:  
 DOME NUT AND GLAND BODY - POLYAMIDE PA6 V-2  
 SEALING RING - POLYCHLOROPRENE-NITRILE RUBBER CR/NBR



3	5-0	HUT.M50.P	M50x1.5	27-35	55	61.5	12
3	4-0	HUT.M40.P	M40x1.5	19-28	46	51	10
3	3-2	HUT.M32.P	M32x1.5	15-21	36	50	10
4	2-5	HUT.M25.P	M25x1.5	11-17	29	43	8
4	2-0	HUT.M20.P	M20x1.5	8-13	24	36	8
4	1-6	HUT.M16.P	M16x1.5	5-10	20	35.5	8
	PART NO.	DESCRIPTION	"A"	Ø"C"	"SW 1&SW 2"	"H"	"L"
DIMENSIONS (mm)							

THIS DRAWING IS A CONTROLLED DOCUMENT.		DWN JS 27.03.2006	<b>STE</b> TE Connectivity															
		CHK TS 27.03.2006																
DIMENSIONS: mm		APVD TS 27.03.2006	NAME ASS'Y CABLE GLAND SERIES HUT-P. METRIC															
TOLERANCES UNLESS OTHERWISE SPECIFIED:		PRODUCT SPEC -																
<table border="0"> <tr><td>0 PLC</td><td>±</td></tr> <tr><td>1 PLC</td><td>±</td></tr> <tr><td>2 PLC</td><td>±</td></tr> <tr><td>3 PLC</td><td>±</td></tr> <tr><td>4 PLC</td><td>±</td></tr> <tr><td>ANGLES</td><td>±</td></tr> </table>		0 PLC	±	1 PLC	±	2 PLC	±	3 PLC	±	4 PLC	±	ANGLES	±	APPLICATION SPEC -	SIZE A3	CAGE CODE -	DRAWING NO. ©=1102771	RESTRICTED TO -
0 PLC	±																	
1 PLC	±																	
2 PLC	±																	
3 PLC	±																	
4 PLC	±																	
ANGLES	±																	
MATERIAL -		WEIGHT -	Customer Drawing		SCALE 5:1	SHEET 1 OF 1	REV A4											