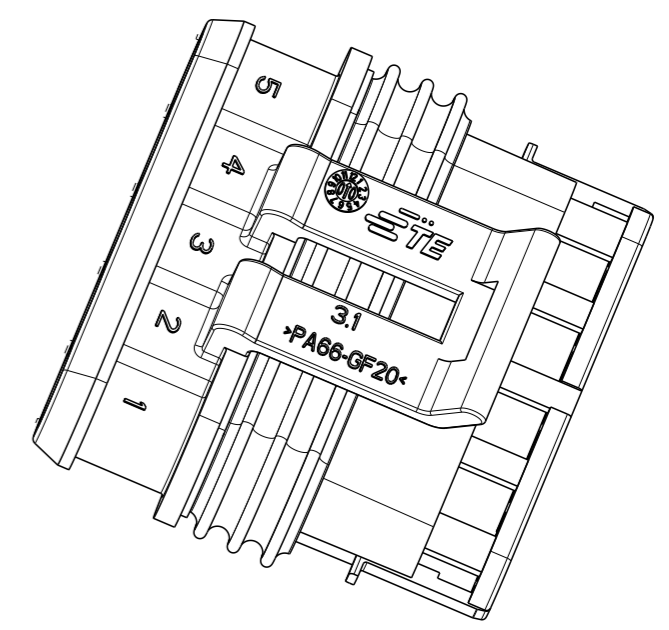
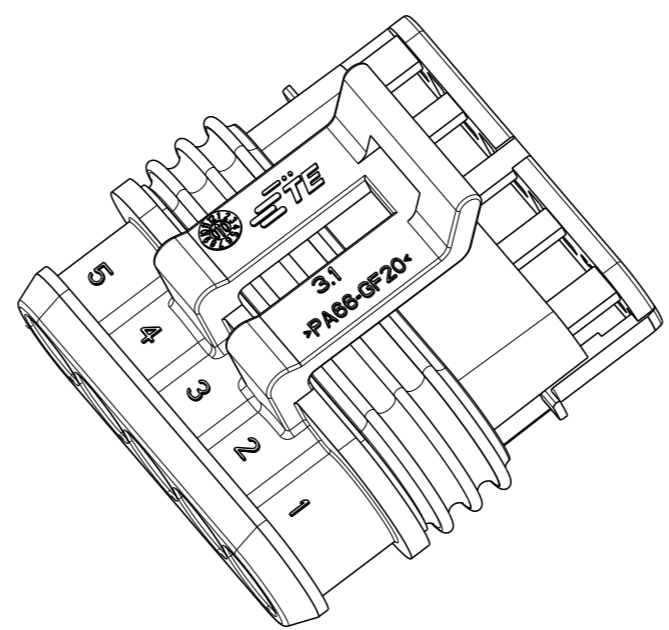
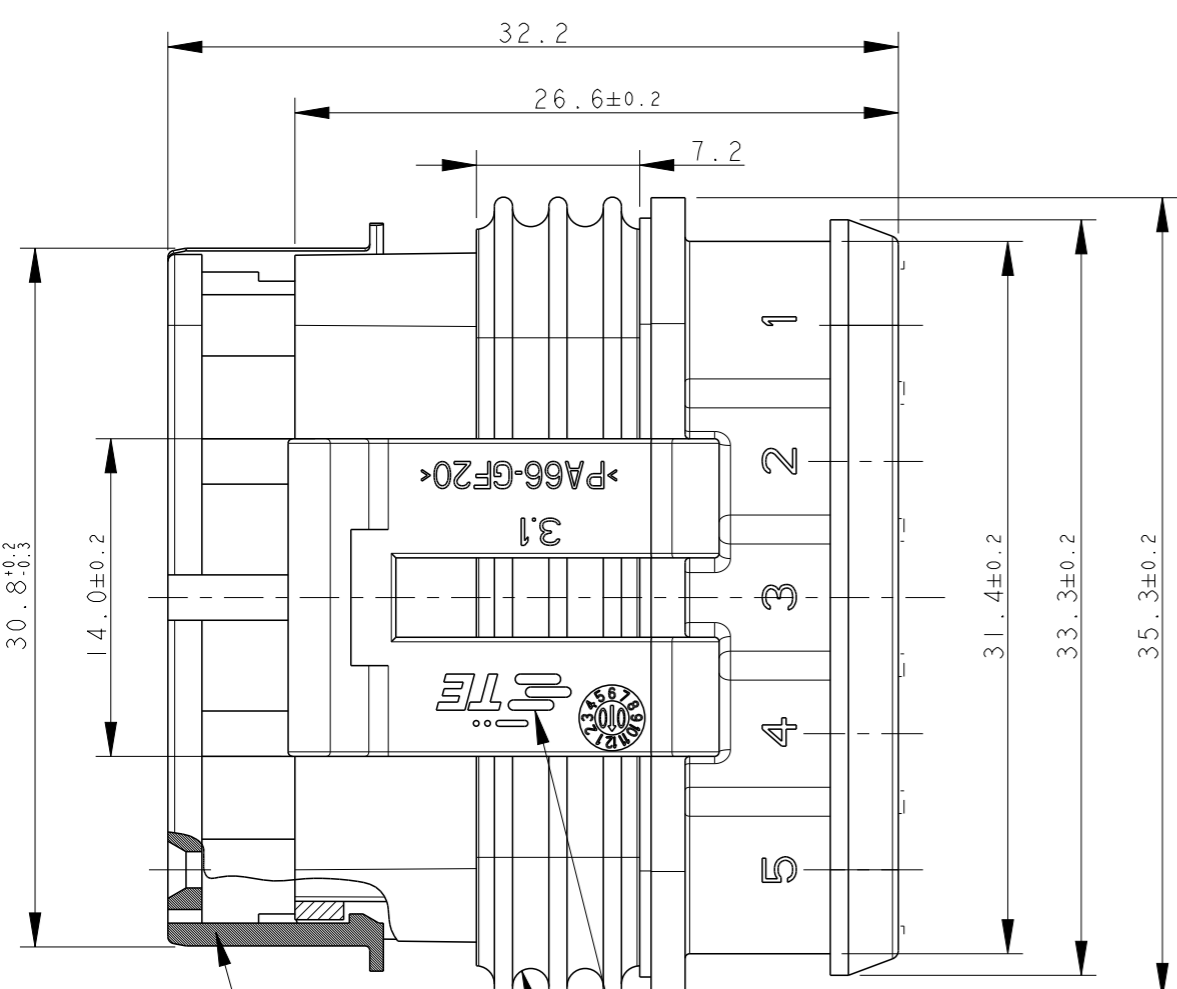
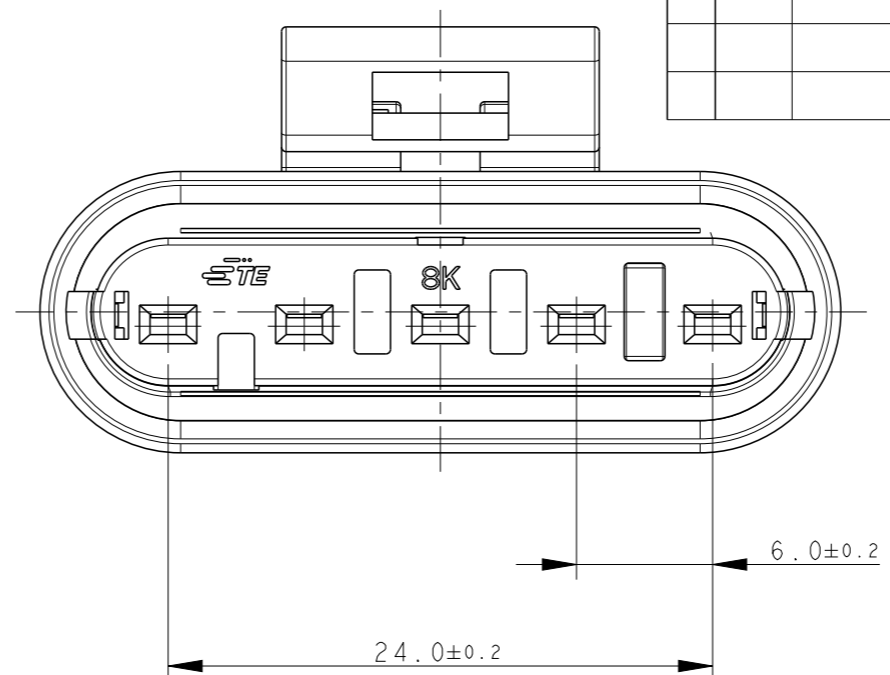
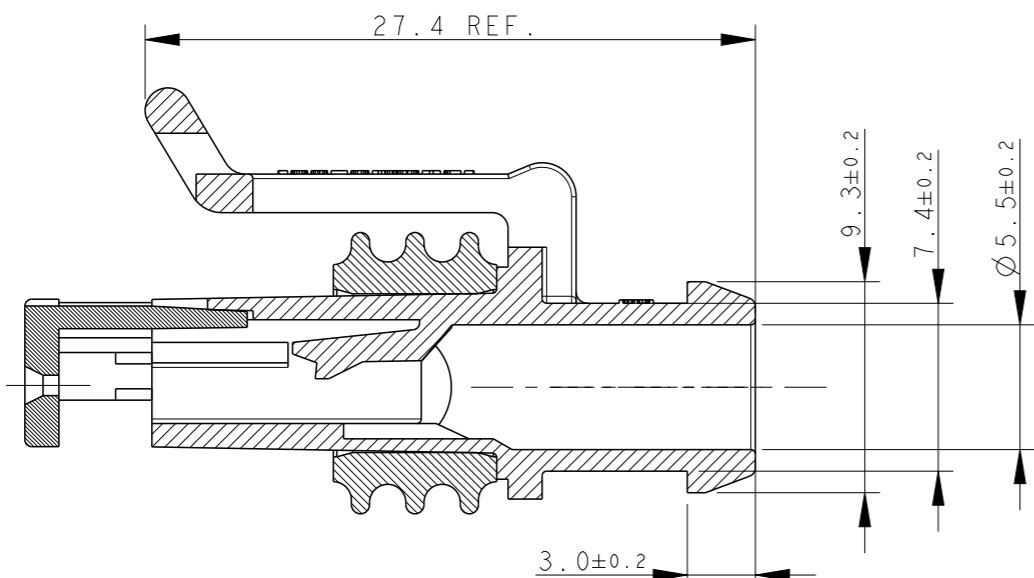


REVISIONS

P	LTR	DESCRIPTION	DATE	DWN	APVD
	D	ECR-14-009314	24MAR2015	M.P.	M.G.



1) FOR COUNTERPART DETAILS, SEE SHEET 2 OF 2

FINISH/COLOR	MATERIAL	PART NUMBER
GRAY	PA66-GF	282089-2
BLACK	PA66-GF	282089-1

TE CONNECTIVITY TRADE MARK,
 (IN ALTERNATIVE: "AMP" LOGO,
 OR "Tyco Electronics" LOGO)

SEALING
 (SILICONE RUBBER)

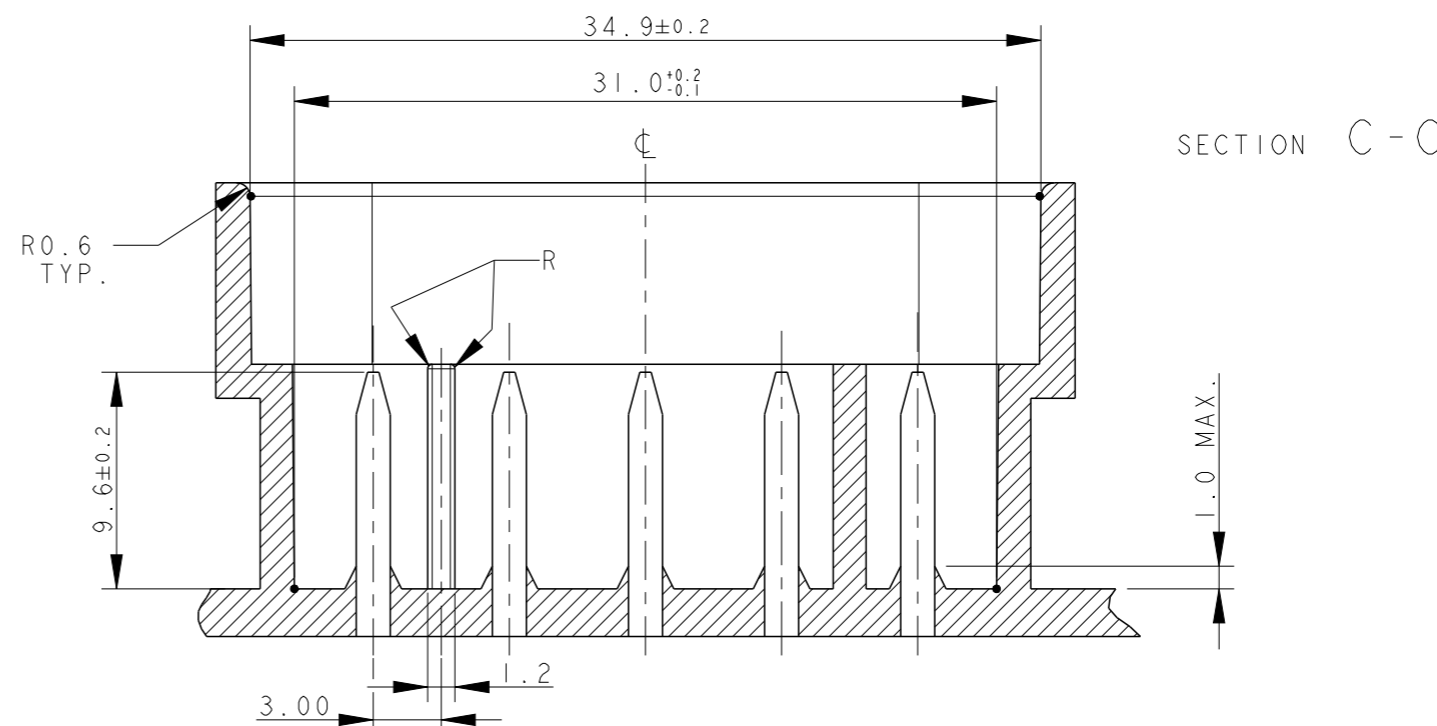
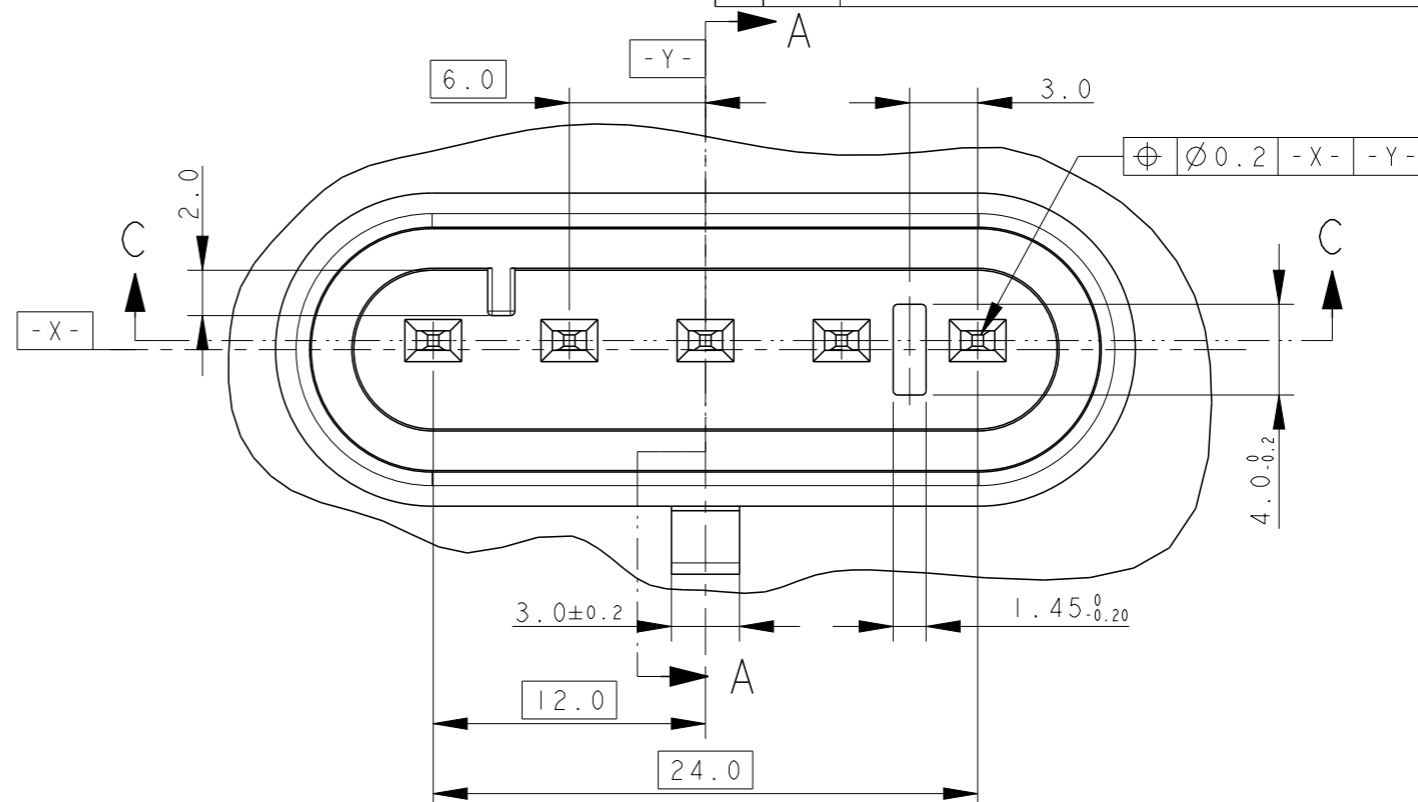
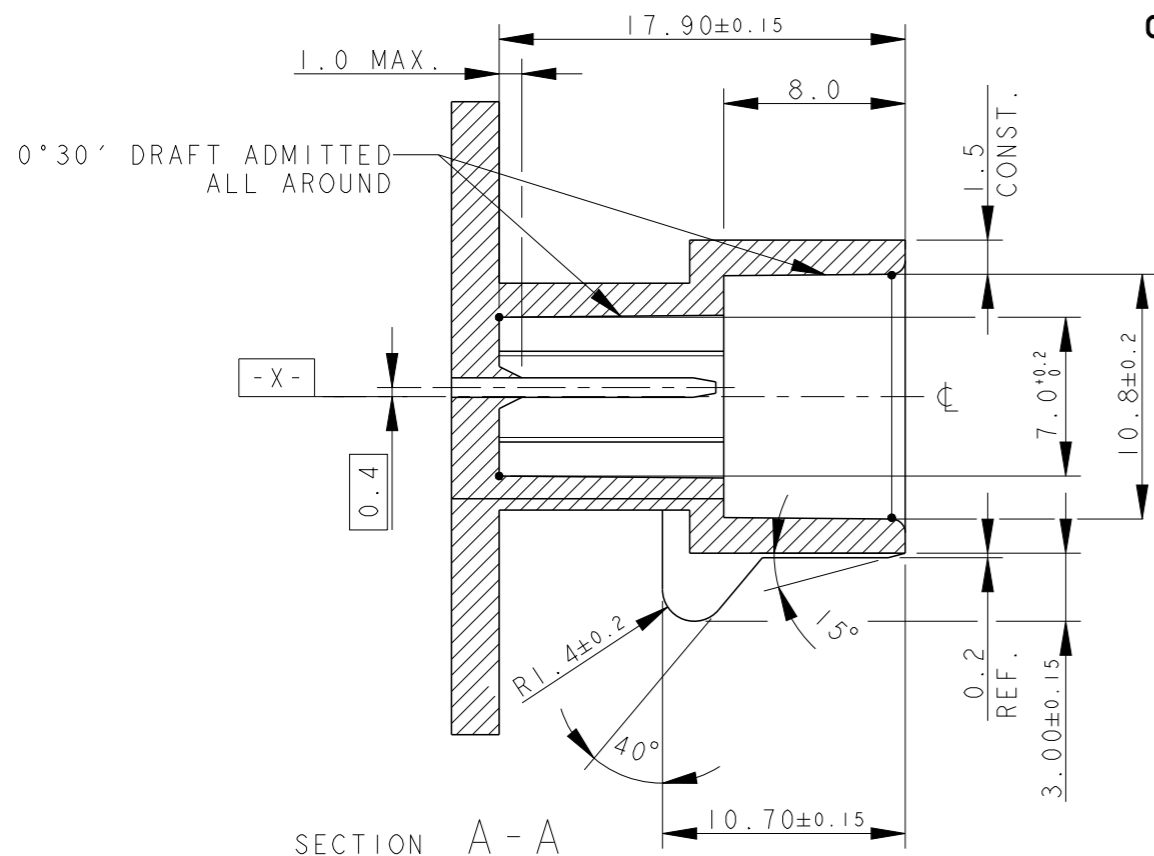
PRE-ASSEMBLED SECONDARY LOCK
 (RED COLOR)

THIS DRAWING IS A CONTROLLED DOCUMENT.

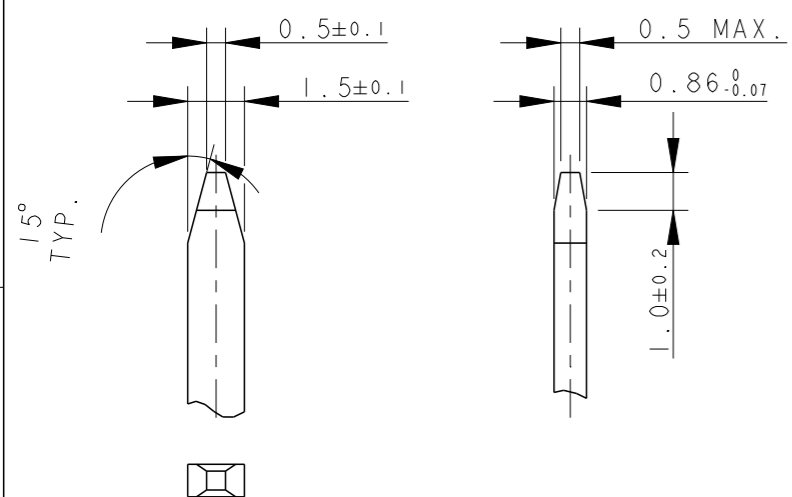
DWN C. BERTINI 05-1992	TE Connectivity
CHK A. BRUNI 05-1992	
APVD -	NAME -
PRODUCT SPEC 108-20090	AMP SUPERSEAL 1.5 SRS. 5 POSITIONS PLUG ASS'Y
APPLICATION SPEC 412-20000	
MATERIAL SEE TABLE (VEDI TABELLA)	FINISH SEE TABLE (VEDI TABELLA)
WEIGHT 5.45gr	SIZE A3
CUSTOMER DRAWING	CAGE CODE 300779
	DRAWING NO C-282089
	RESTRICTED TO -
	SCALE 3:1
	SHEET 1 OF 2
	REV D

P	LTR	DESCRIPTION	DATE	DWN	APVD
		SEE SHEET 1			

COUNTERPART DETAILS



TAB DETAILS



MATERIALS: PA66-GF FOR HOUSING
TIN PLATED BRASS FOR TABS

THIS DRAWING IS A CONTROLLED DOCUMENT.

DWN C. BERTINI 05-1992

CHK A. BRUNI 05-1992

APVD -

NAME



DIMENSIONS:

mm

TOLERANCES UNLESS OTHERWISE SPECIFIED:

- 0 PLC ±
- 1 PLC ±0.3
- 2 PLC ±
- 3 PLC ±
- 4 PLC ±
- ANGLES ±2°
- FINISH



MATERIAL



PRODUCT SPEC 108-20090

APPLICATION SPEC 412-20000

WEIGHT 5.45gr

CUSTOMER DRAWING

AMP SUPERSEAL 1.5 SRS.
5 POSITIONS PLUG ASS'Y

SIZE	CAGE CODE	DRAWING NO	RESTRICTED TO
------	-----------	------------	---------------

A300779	C=282089		
---------	----------	--	--

SCALE 1:1	SHEET 2 OF 2	REV D
-----------	--------------	-------