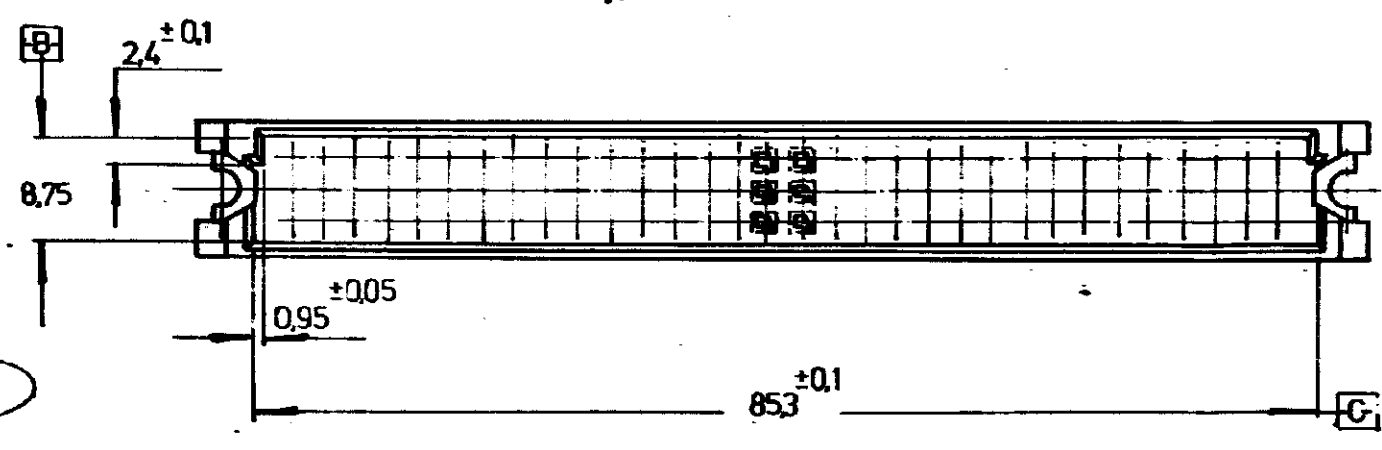
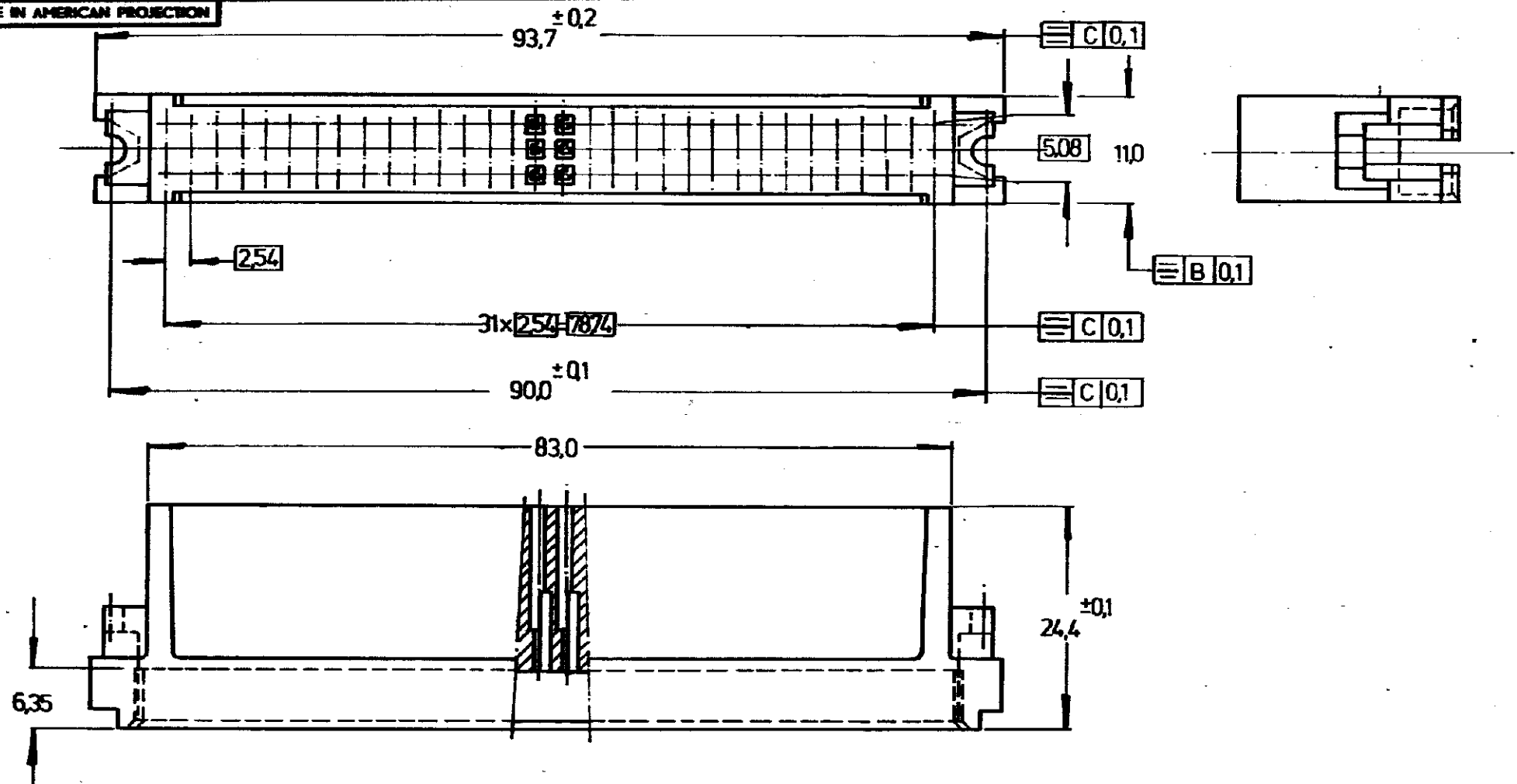


DRAWING MADE IN AMERICAN PROJECTION



DIMENSIONS IN M.M. DO NOT SCALE PRINT

166467-1		Glassfilled Polyester	Steel
ORDER NO.	MATERIAL	PLATING	
CUSTOMER COPY FOR REFERENCE ONLY			
DR	DATE	© 1967 BY AMP-HOLLAND N.V. ALL RIGHTS RESERVED. AMP PRODUCTS COVERED BY PATENTS AND/OR PATENTS PENDING.	
CHK	DATE	 AMP - HOLLAND N.V. 's-Hertogenbosch	
DE	DATE		
APP	DATE	WIRE-RANGE	INSUL-RANGE
		SCALE	SIZE NO
		2:1	B C_166467-E
		NAME	REV
		96 POC. I.E.C. C MALE "COSI" HSG	8

NUMBER C\_166467-E

AMP 12534 8 7 6 5 4 3 2 1

NOT the LATEST REVISION