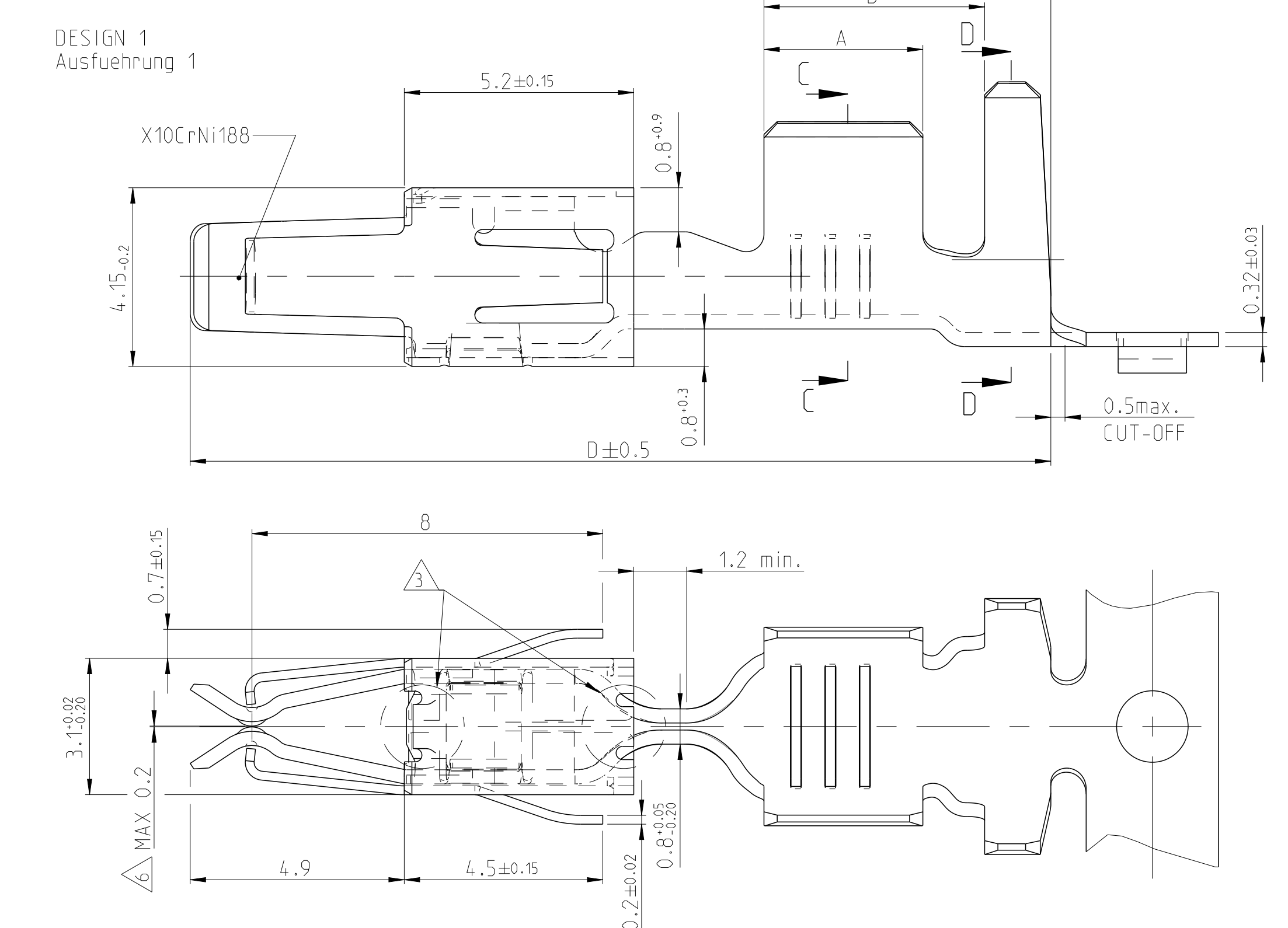
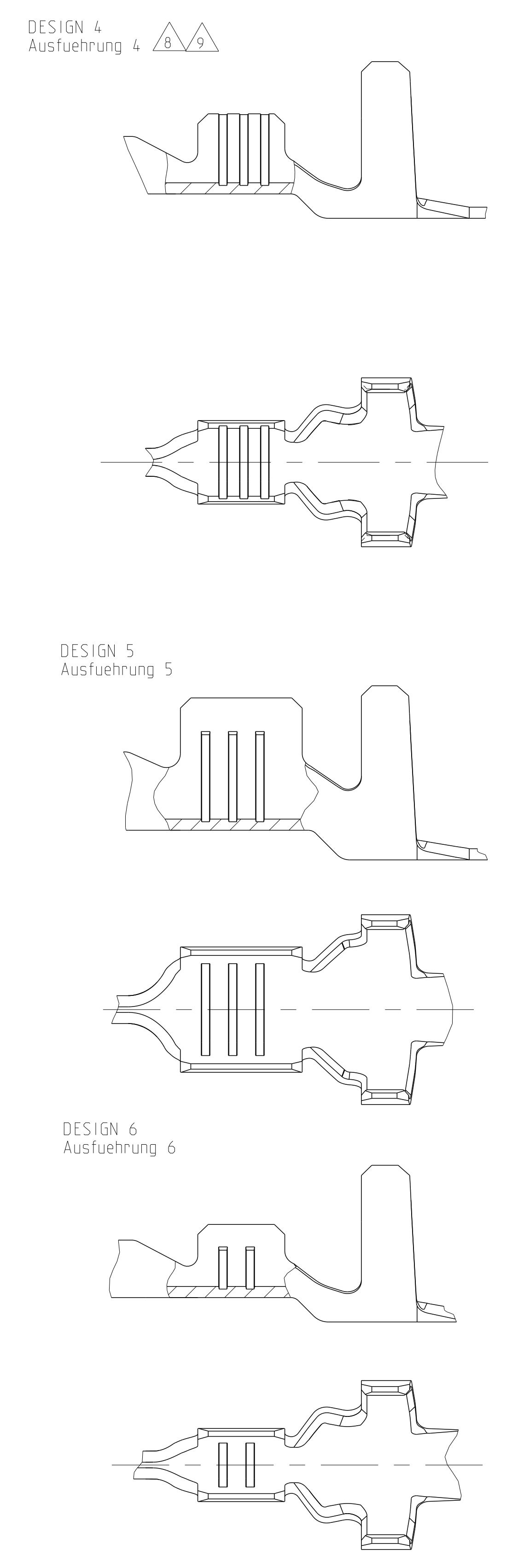


REVISIONS			
REV	DATE	BY	APPD
B12			
B13			
B14			
B15			

FLR-WIRE
FLR-Leitung



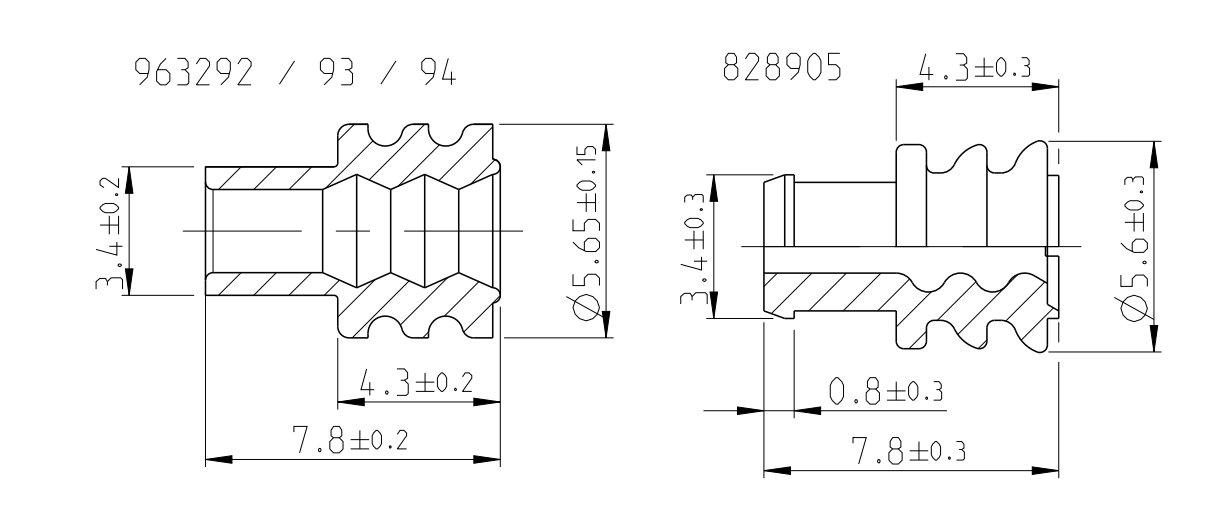
FLR- AND FLK-CABLE
FLR- und FLK- Leitung



TE ORDER NO. STRIP FORM Bandware	REV.	DESIGN Ausfuehrung	MATERIAL Werkstoff	SURFACE Oberflaeche	WIRE RANGE Drahtgroessen Bereich [mm ²]	INSULATION Isolations Ø [mm]	STRIP FROM WIRE CRIMP Drahtcrimp Bandware	INSUL.-CRIMP Iso.-Crimp Bandware	A	B	C	D	CRIMP DATA AND CRIMP TOOL Crimpdaten u. Crimpwerkzeuge
1241978-2	A	1	CuSn 4	PRET INNED vorverzinkt	>2.5-4.0	2.7-3.7	E = 4.5 G = 4.7 D _{Dr} = 2.3	H = 5.8 K = 6.0 D = 3.3	3.6	5.0	6.5	19.5	
1241978-1	A		CuFe2	PRET INNED vorverzinkt									
4-965999-1	F		CuNiSi	△									
2-965999-1	F		CuSn 4	△									
965999-6	A	1	CuSn 4	△	>1.0-2.5	2.2-3.0	E = 3.6 G = 3.8 D _{Dr} = 1.8	H = 4.7 K = 4.9 D = 2.6	3.3	4.3	5.8	18.8	
965999-2	F		CuSn 4	PRET INNED vorverzinkt									
965999-1	F		CuFe2	PRET INNED vorverzinkt									
4-964284-1	F		CuNiSi	△									
2-964284-1	F		CuSn 4	△									
964284-6	A	1	CuSn 4	△	0.5-1.0	1.4-2.1	E = 2.5 G = 2.7 D _{Dr} = 1.2	H = 3.7 K = 3.9 D = 1.8	3.0	4.0	5.5	18.8	
964284-2	F		CuSn 4	PRET INNED vorverzinkt									
964284-1	F		CuFe2	PRET INNED vorverzinkt									
2-2141892-1	△	A	CuSn 4	△	0.35	1.2-1.3	E = 2.4 G = 2.3 D _{Dr} = 1.0	H = 2.9 K = 2.9 D = 1.4	2.5	3.5	5.6	18.8	
2141892-2	△	A	CuSn 4	PRET INNED vorverzinkt									
2-964280-1	F		CuSn 4	△									
964280-2	F	3	CuSn 4	PRET INNED vorverzinkt	0.2-0.5	1.15-1.6	E = 2.1 G = 2.1 D _{Dr} = 0.8	H = 2.7 K = 2.8 D = 1.4	2.5	3.5	5.6	18.8	
964280-1	F		CuFe2	PRET INNED vorverzinkt									
2-1564326-1	△	A	CuSn 4	△	0.35	1.2-1.3	E = 2.4 G = 2.3 D _{Dr} = 1.0	H = 4.85 K = 4.5 D = 3.2	2.5	4.7	6.3	19.55	
1241872-1	△	A	CuFe2	PRET INNED vorverzinkt	>1.0-2.5	2.2-3.0	E = 3.6 G = 3.8 D _{Dr} = 1.8	H = 5.3 K = 5.0 D = 3.5	3.5	5.2	6.8	19.55	
1241868-1	△	A	CuFe2	PRET INNED vorverzinkt	0.5-1.0	1.4-2.7	E = 2.5 G = 2.7 D _{Dr} = 1.2	H = 5.1 K = 4.8 D = 3.3	3.0	4.7	6.3	19.55	
4-1241864-1	△	A	CuNiSi	△	0.2-0.5	1.2-2.3	E = 2.1 G = 2.1 D _{Dr} = 0.8	H = 4.7 K = 4.5 D = 3.2	2.5	4.7	6.3	19.55	
6-964273-6	F		CuSn 4	△									
3-964273-1	F		CuNiSi	△									
2-964273-1	F	5	CuSn 4	△	>1.0-2.5	2.2-3.0	E = 3.6 G = 3.8 D _{Dr} = 1.8	H = 5.3 K = 5.0 D = 3.5	3.5	5.2	6.8	19.55	
964273-2	F		CuSn 4	PRET INNED vorverzinkt									
964273-1	F		CuFe2	PRET INNED vorverzinkt									
6-964286-6	F		CuSn 4	△									
2-964286-1	F	5	CuSn 4	△	0.5-1.0	1.4-2.7	E = 2.5 G = 2.7 D _{Dr} = 1.2	H = 5.1 K = 4.8 D = 3.3	3.0	4.7	6.3	19.55	
964286-2	F		CuSn 4	PRET INNED vorverzinkt									
964286-1	F		CuFe2	PRET INNED vorverzinkt									
2-2141894-1	△	A	CuSn 4	△	0.35	1.2-1.3	E = 2.4 G = 2.3 D _{Dr} = 1.0	H = 4.85 K = 4.5 D = 3.2	2.5	4.7	6.3	19.55	
2141894-2	△	A	CuSn 4	PRET INNED vorverzinkt									
6-964282-6	F		CuSn 4	△									
2-964282-1	F	6	CuSn 4	△	0.2-0.5	1.2-2.3	E = 2.1 G = 2.1 D _{Dr} = 0.8	H = 4.7 K = 4.5 D = 3.2	2.5	4.7	6.3	19.55	
964282-2	F		CuSn 4	PRET INNED vorverzinkt									
964282-1	F		CuFe2	PRET INNED vorverzinkt									

SEE APPLICATION SPECIFICATION
siehe Veranlassungsspezifikation
14-18050

- △ BODY ELECTRO TIN PLATED OVER NICKEL 0.2 µm min.
Kontaktkoerper galv. verzinkt ueber Nickel 0.2 µm min.
CONTACT AREA SELECTIV GOLD OVER NICKEL 0.8 µm min.
Kontaktzone selektiv vergoldet ueber Nickel 0.8 µm min.
WIRE CRIMP AREA ELECTRO TIN PLATED 1 µm min.
Drahtcrimbereich galv. verzinkt 1 µm min.
- △ ACCORDING INSULATION DIA IS TO CHOOSE THE SINGLE WIRE SEAL
Entsprechend dem Isolationsdurchmesser ist die Einzel-Dichtung auszuwaehlen
- △ CUT OFF OPTIONAL
Optionaler Federabschnitt
- △ VARIANTS WITH GAP-SIZE 0.3mm
Varianten mit Gap-Size 0.3mm
- △ FOR EVALUATION OF THE GAP-SIZE, THE MATING-FORCE HAS PRIORITY.
Zur Beurteilung des Oeffnungsmasses ist die Steckkraft ausschlaggebend
- △ CONTACT BODY PRE-SILVER PLATED MIN. 0.8µm
CONTACT ZONE SELECTIVE PRE-SILVER PLATED MIN. 3µm
Kontaktkoerper vorversilbert min. 0.8µm
Kontaktzone selektiv vorversilbert min. 3µm
- △ PUNCHED WITH VOLATILIZING STAMPING-OIL
Gestanzl mit vertuechtigendem Stanzoel
- △ SERRATIONS OVER THE WHOLE WIDTH OF THE CRIMP AREA
Rillen ueber die ganze Breite des Crimpbereichs.



SINGLE WIRE SEAL Einzel-Dichtung		
963292-1	2.7-3.0	yellow gelb
963293-1	2.0-2.7	redbrown rotbraun
963294-1	1.2-2.1	blue blau
828905-1	2.2-3.0	white weiss
ORDER No. Bestell-Nr.	INSULATION Ø Isolations Ø	COLOR Colour Farbe

