

Specifications 规格

Electrical 电气规格

Voltage Rating 电压额定值: 16 V DC

Current Rating 电流额定值: 2.5 Amp

Insulation Resistance 绝缘电阻值: 100 MΩ min.

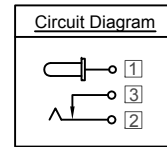
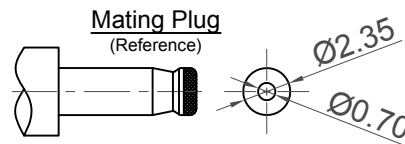
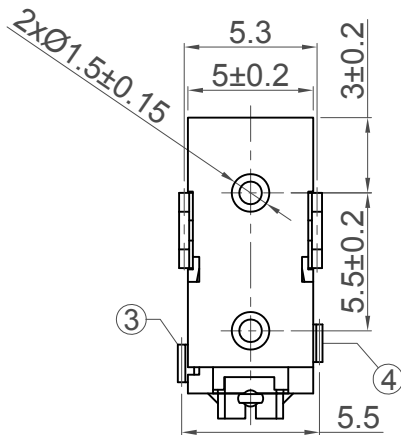
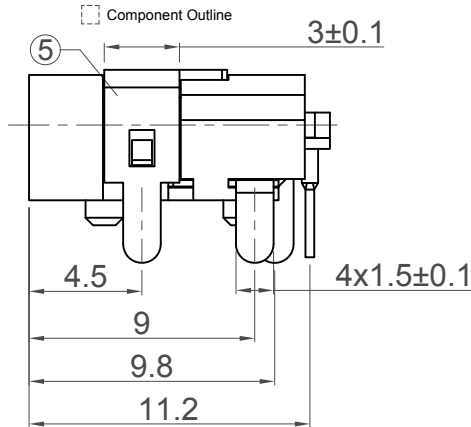
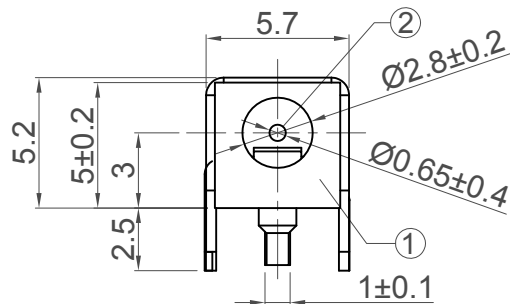
Dielectric Withstanding 耐电压: 500 V AC

Contact Resistance 接触电阻值: 30 mΩ max.

Mechanical & Environmental 机械 & 环境

Operating Temperature 工作温度: -20°C to +70°C

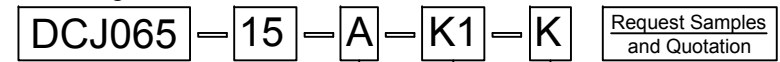
Durability 耐久性: 5,000 cycles min.



# Terminal Number

No.	Description	Material	Q'ty
①	Housing	PBT, UL94 V-0, Black	1
②	Centre Pin	① Bronze, Silver plating	1
③	Tip Spring	② Stainless Steel, T=0.25mm, Silver plating	1
④	Shunt Terminal	③ Brass, T=0.3mm, Silver plating	1
⑤	Shell	④ Brass, T=0.4mm, Silver plating	1

Ordering Grid



Circuit Diagram

A = 2 Conductors/3 Contacts

Insulator Colour

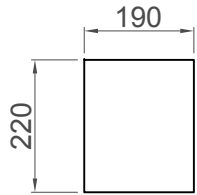
K1 = Black

Packing

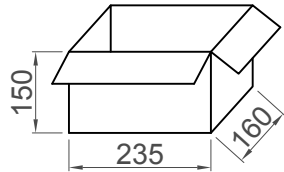
K = Bag  
(1000 per bag)

Part Number		Product Description		Units:		RoHS COMPLIANT 2011/65/EU Deca-BDE	© This drawing is confidential and copyright of Global Connector Technology, Ltd (GCT). This drawing must not be copied or disclosed without written consent. E & OE	Global Connector Technology			
DCJ065-15		DC Power Jack, Thru-Hole, Horizontal, w/Locating Pegs		Metric (mm)				www.gct.co			
Drawing Date		22nd June 2015		Length		± 0.3		Angle		± 2°	
By		AJO		Tolerances (Except as Noted)		3rd Angle Projection		Not to Scale		Drawn By AJO	
Detail		Drawing Release		Date		22/06/15		Sheet No.		1/2	

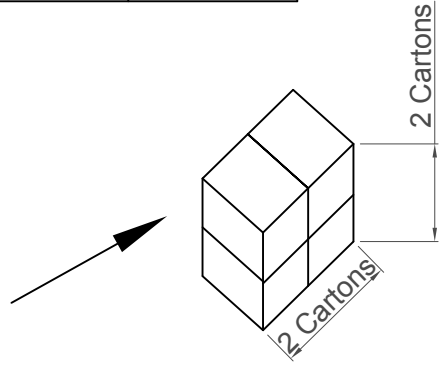
Part Number	Pcs/Bag	Bags/Carton	Cartons/Box	Pcs/Box
DCJ065-15	1000	5	4 or 6	20k or 30k



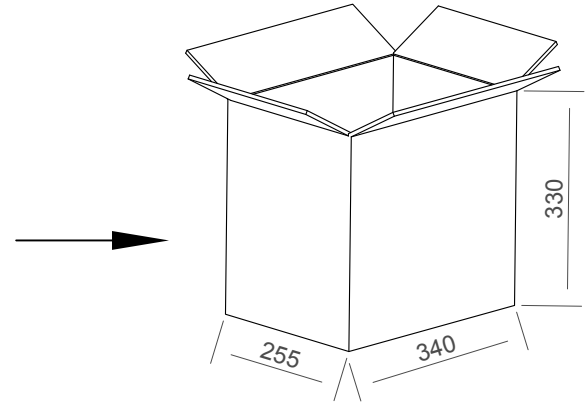
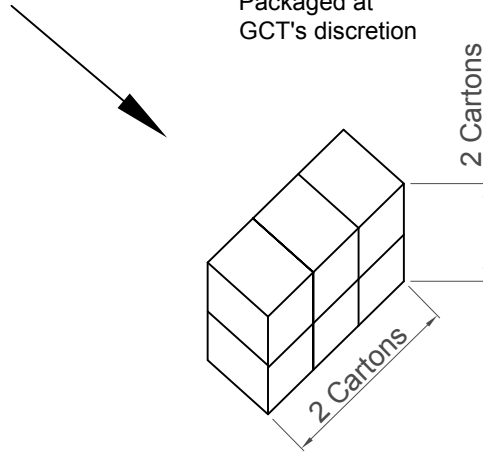
PE Bag = 1000pcs



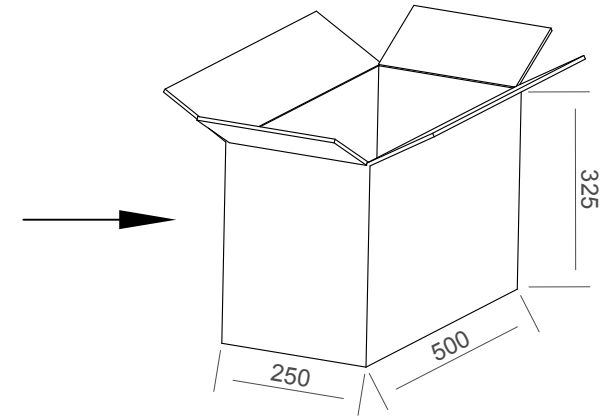
Carton  
= 1000pcs x 5 bags  
= 5000pcs



Packaged at  
GCT's discretion



Box  
= 4 cartons x 5000 pcs  
= 20,000pcs



Box  
= 6 cartons x 5000 pcs  
= 30,000pcs

Part Number DCJ065-15		Product Description DC Power Jack, Thru-Hole, Horizontal, w/Locating Pegs Ø0.65mm Pin mates with Ø0.70mm Plug			This drawing is confidential and copyright of Global Connector Technology, Ltd (GCT). This drawing must not be copied or disclosed without written consent. E & OE
Drawing Date 22nd June 2015					
By AJO	Detail Drawing Release	Tolerances (Except as Noted) Length	Angle	Units: Metric (mm)	
Revision A	Date 22/06/15				
Not to Scale		Drawn By AJO	Sheet No. 2/2	Global Connector Technology www.gct.co	

H  
G  
F  
E  
D  
C  
B  
A

1 2 3 4 5 6 7 8