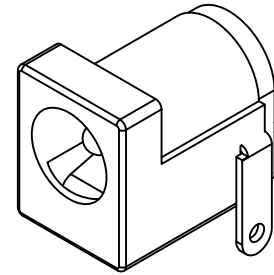
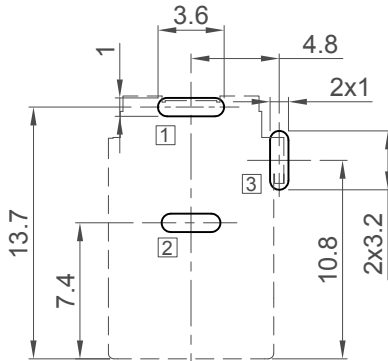
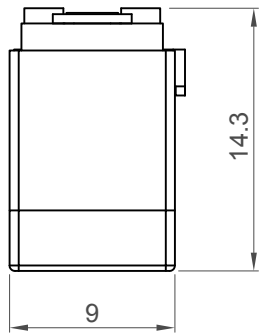
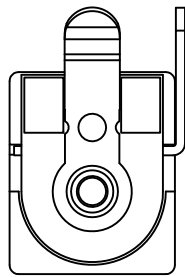


H
G
F
E
D
C
B
A



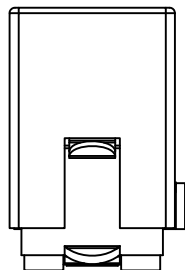
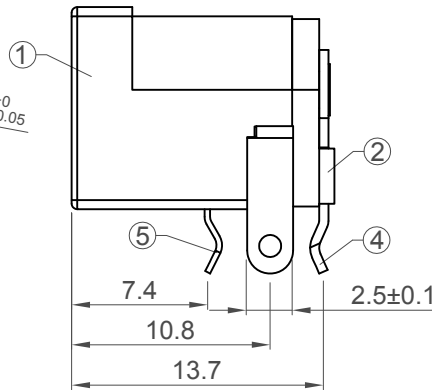
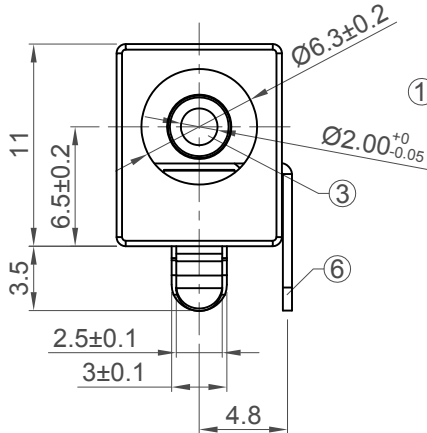
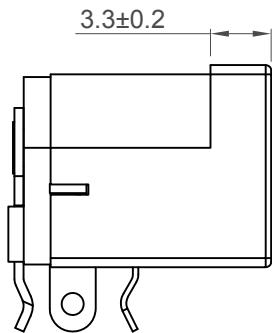
Specifications 规格

Electrical 电气规格

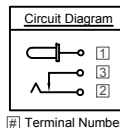
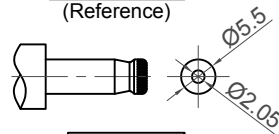
- Voltage rating 电压额定值: 20 V DC
- Current Rating 电流额定值: 5 Amp
- Insulation Resistance 绝缘电阻值: 100 MΩ min.
- Dielectric Withstanding 耐电压: 500 V AC
- Contact Resistance 接触电阻值: 30 mΩ max.

Mechanical & Environmental 机械 & 环境

- Operating Temperature 工作温度: -20°C to +70°C
- Durability 耐久性: 5,000 cycles min.

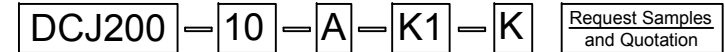


Mating Plug (Reference)



No.	Description	Material	Q'ty
①	Housing	PBT, UL94 V-0	1
②	Cover	PBT, UL94 V-0, Black	1
③	Centre Pin	① Brass, Cu-Sn/Nickel plating	1
④	Centre Pin Terminal	① Brass, T=0.50mm, Silver plating	1
⑤	Tip Spring	② Phosphor Bronze, T=0.30mm, Silver plating	1
⑥	Shunt Terminal	③ Brass, T=0.50mm, Silver plating	1

Ordering Grid



Circuit Diagram

A = 2 Conductors/3 Contacts

Insulator Colour

K1 = Black (Standard)

W1 = White (0100) B1 = Blue (0037)

G1 = Grey (0292) G2 = Grey (0228)

V1 = Green (0247) V2 = Green (0116)

Y1 = Yellow (0039)

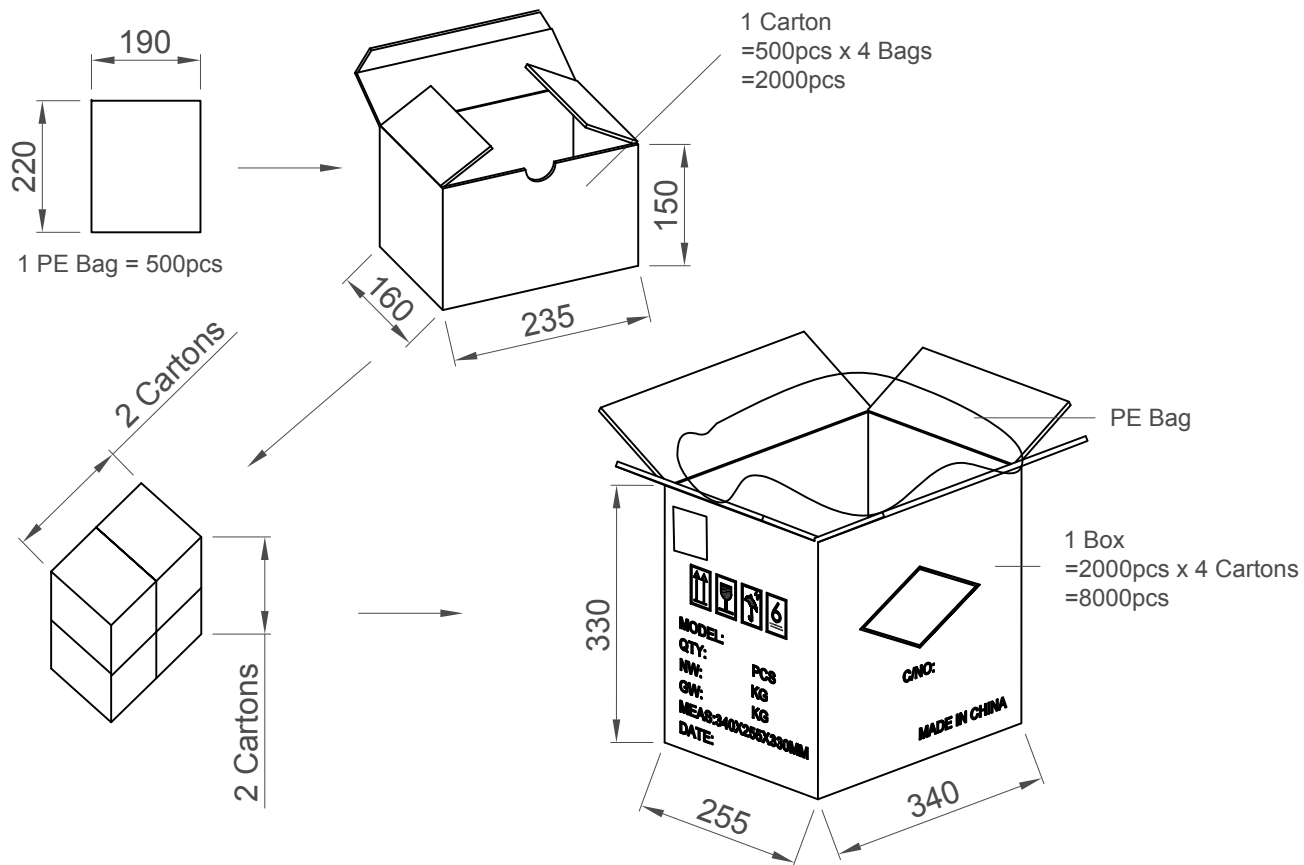
Packing

K = Bag
(500 per bag)

Part Number DCJ200-10		Product Description DC Power Jack, Thru-Hole, Horizontal, w/Locating Pegs Ø2.00mm Pin mates with Ø2.05mm Plug				This drawing is confidential and copyright of Global Connector Technology, Ltd (GCT). This drawing must not be copied or disclosed without written consent. E & OE	
Drawing Date 11th December 2015		By AJO					
Detail	Revision A	Tolerances (Except as Noted) Length: ± 0.3	Angle: ± 2°	Units: Metric (mm)			Not to Scale
Revision Date	11/12/15					Drawn By AJO	Sheet No. 1/2

GCT
Global Connector Technology
www.gct.co

Part Number	Pcs/Bag	Bags/Carton	Cartons/Box	Pcs/Carton
DCJ200-10	500	4	4	8000



Part Number		Product Description		GCT Global Connector Technology www.gct.co
DCJ200-10		DC Power Jack, Thru-Hole, Horizontal, w/Locating Pegs		
Drawing Date		Ø2.00mm Pin mates with Ø2.05mm Plug		
11th December 2015				<p>This drawing is confidential and copyright of Global Connector Technology, Ltd (GCT). This drawing must not be copied or disclosed without written consent. E & OE</p> <p>RoHS COMPLIANT 2011/65/EU</p> <p>Deca-BIDE</p>
By	AJO	Tolerances (Except as Noted)		
Detail	Drawing Release	Length	Angle	
Revision	A	± 0.3	± 2°	
Date	11/12/15	Units: Metric (mm)		
		3rd Angle Projection		<p>©</p> <p>Not to Scale</p> <p>Drawn By AJO</p> <p>Sheet No. 2/2</p>

H
G
F
E
D
C
B
A