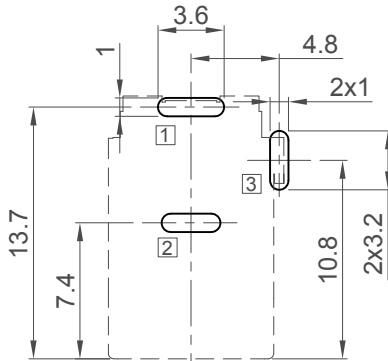
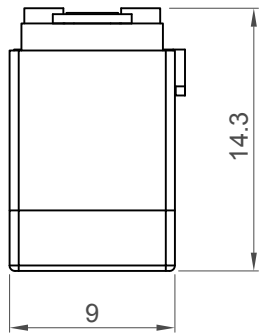
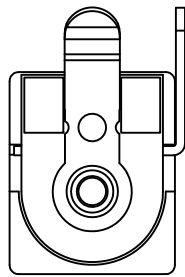
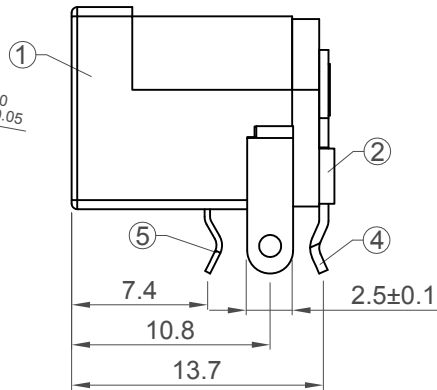
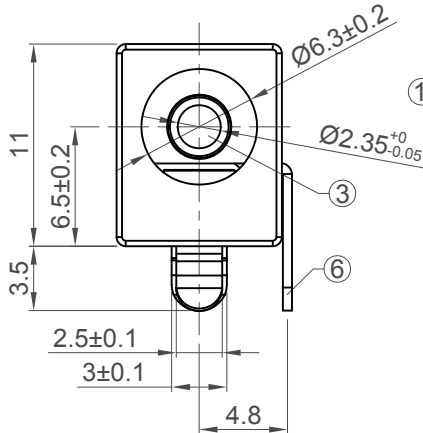
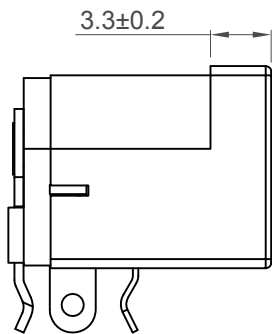


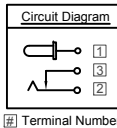
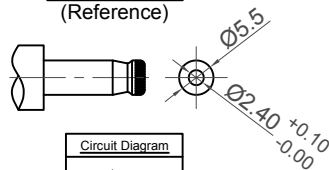
H
G
F
E
D
C
B
A



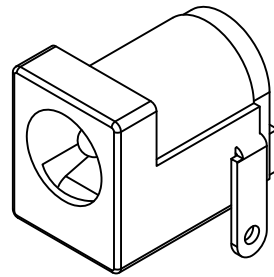
Recommended PCB Layout
(Tolerance: ±0.05mm)
□ Component Outline



Mating Plug
(Reference)



□ Terminal Number



Specifications 规格

Electrical 电气规格

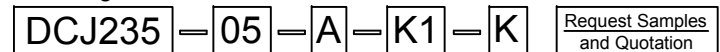
- Voltage rating 电压额定值: 20 V DC
- Current Rating 电流额定值: 5 Amp
- Insulation Resistance 绝缘电阻值: 100 MΩ min.
- Dielectric Withstanding 耐电压: 500 V AC
- Contact Resistance 接触电阻值: 30 mΩ max.

Mechanical & Environmental 机械 & 环境

- Operating Temperature 工作温度: -20°C to +70°C
- Durability 耐久性: 5,000 cycles min.

No.	Description	Material	Q'ty
①	Housing	PBT, UL94 V-0	1
②	Cover	PBT, UL94 V-0, Black	1
③	Centre Pin	① Brass, Cu-Sn/Nickel plating	1
④	Centre Pin Terminal	① Brass, T=0.50mm, Silver plating	1
⑤	Tip Spring	② Phosphor Bronze, T=0.30mm, Silver plating	1
⑥	Shunt Terminal	③ Brass, T=0.50mm, Silver plating	1

Ordering Grid



Circuit Diagram

A = 2 Conductors/3 Contacts

Insulator Colour

K1 = Black (Standard)

W1 = White (0100) B1 = Blue (0037)

G1 = Grey (0292) G2 = Grey (0228)

V1 = Green (0247) V2 = Green (0116)

Y1 = Yellow (0039)

Packing

K = Bag
(500 per bag)

Part Number		Product Description	
DCJ235-05		DC Power Jack, Thru-Hole, Horizontal, w/Locating Pegs	
Drawing Date		Ø2.35mm Pin mates with Ø2.40mm Plug	
11th December 2015			
By	AJO	Tolerances (Except as Noted)	Units:
Detail	Drawing Release	Length	Metric (mm)
Revision	A	± 0.3	°
Date	11/12/15	± 2°	3rd Angle Projection

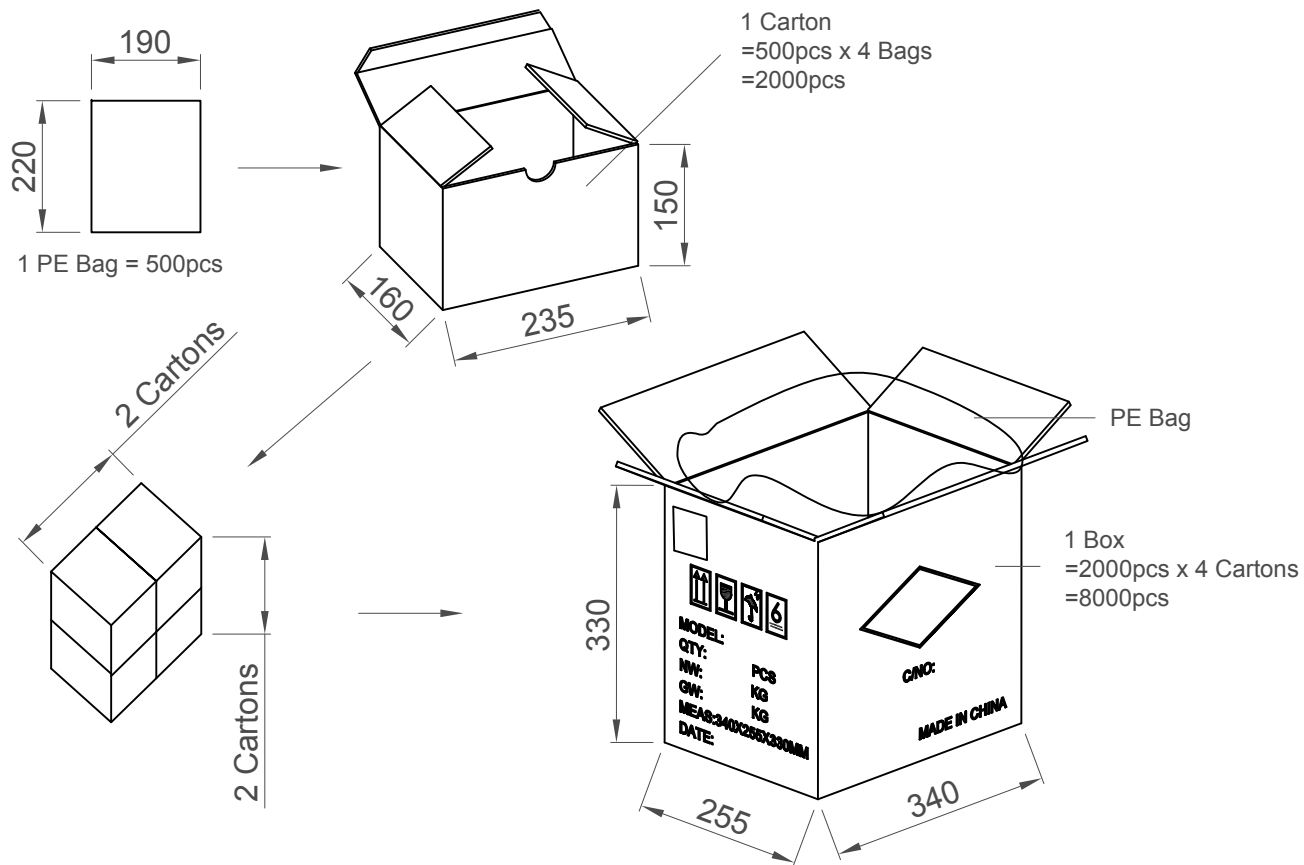


This drawing is confidential and copyright of Global Connector Technology, Ltd (GCT). This drawing must not be copied or disclosed without written consent. E & OE

GCT
Global Connector Technology
www.gct.co

Not to Scale | Drawn By AJO | Sheet No. 1/2

Part Number	Pcs/Bag	Bags/Carton	Cartons/Box	Pcs/Carton
DCJ235-05	500	4	4	8000



Part Number		Product Description	
DCJ235-05		DC Power Jack, Thru-Hole, Horizontal, w/Locating Pegs	
Drawing Date		Ø2.35mm Pin mates with Ø2.40mm Plug	
11th December 2015			
By	AJO	Tolerances (Except as Noted)	Units:
Detail	Drawing Release	Length	Metric (mm)
Revision	A	± 0.3	± 2°
Date	11/12/15	3rd Angle Projection	
		This drawing is confidential and copyright of Global Connector Technology, Ltd (GCT). This drawing must not be copied or disclosed without written consent. E & OE	
Not to Scale	Drawn By AJO	Sheet No. 2/2	

GCT
Global Connector Technology
www.gct.co

H
G
F
E
D
C
B
A

1 2 3 4 5 6 7 8