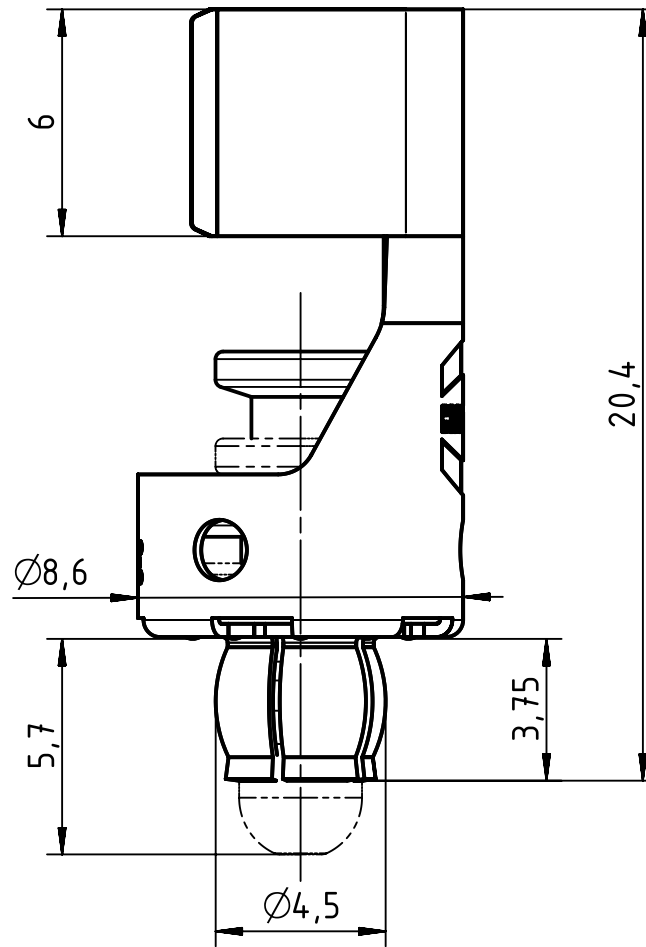
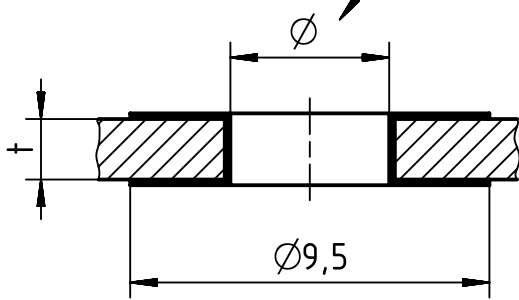



t	∅
1,6	4,4 $+0,05$ $-0,04$
2	4,4 $+0,05$ $-0,04$

PCB lay-out finished hole



	All rights reserved Department EL PD - DE	All Dimensions in mm Original Size DIN A4		Scale 5:1	Free size tol.	Ref.
		HARTING Electric GmbH & Co. KG D-32339 Espelkamp	Created by RULLKOETTER	Inspected by SCHNIEDER	Standardisation TIEMANNA	Date 2014-03-27
Title Han-Fast Lock 10mm ² w.Pin, Ag						Doc-Key / ECM-Nr. 100230954/UGD/006/C 500000073156
Type TB				Number 09 08 000 7124		Rev. C
						Page 1/1