

1 2 3 4 5 6

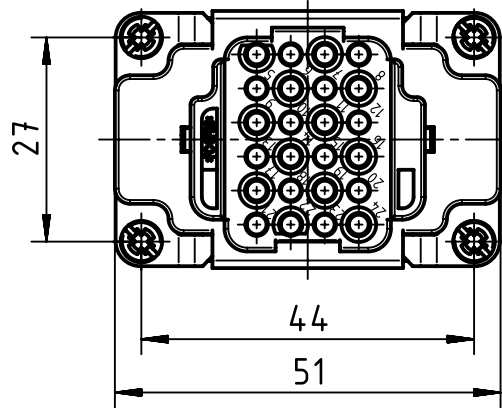
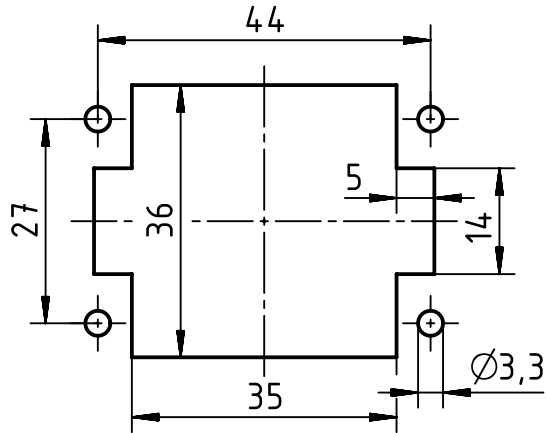
A

B

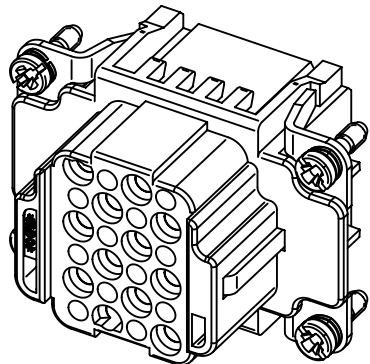
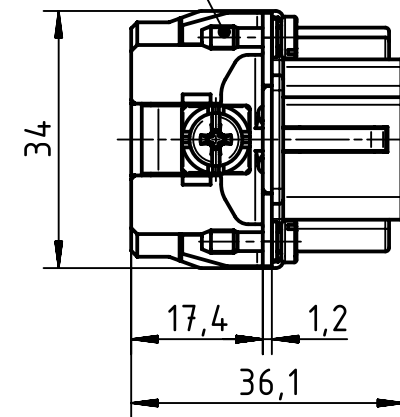
C

D

panel cut out



M3x10



	All rights reserved Department EL PD - DE	Created by RULLKOETTER		Inspected by GERB		Standardisation TIEMANNA		Date 2014-11-26		State Final Release	
		Title Han DD 24 Pos.F Insert Crimp								Doc-Key / ECM-Nr. 100216913/UGD/005/B 500000082414	
HARTING Electric GmbH & Co. KG D-32339 Espelkamp		Type TB		Number 09 16 024 3101				Rev. B		Page 1/1	
 All Dimensions in mm Original Size DIN A4		Scale 1:1		Free size tol.				Ref.		Sub.	