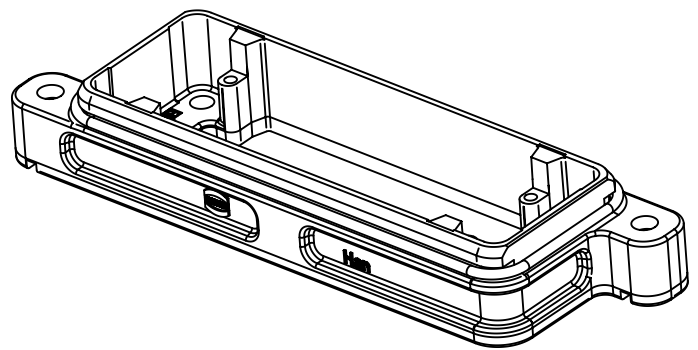
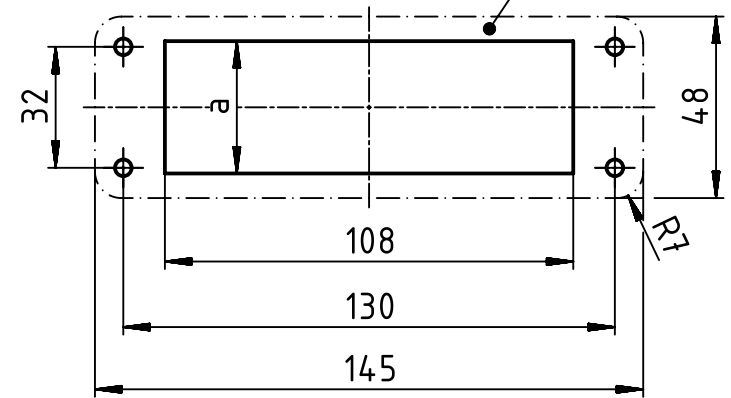
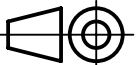



panel cut out for EMC features, conductive surface



application	a
standard insert	35
HC-Modular 650	44,5

 All Dimensions in mm Original Size DIN A4	Scale	Free size tol.			Ref.
	1:2				Sub.
 All rights reserved Department EL PD - DE	Created by	Inspected by	Standardisation	Date	State
	PENNER	BERGHORN	TIEMANNA	2014-04-22	Final Release
HARTING Electric GmbH & Co. KG D-32339 Espelkamp	Title				Doc-Key / ECM-Nr.
	Han 24HPR Base Panel Screw locking				100217699/UGD/004/B 500000073855
Type	Number	Rev.			Page
TB	09 40 024 0311	B			1/1