

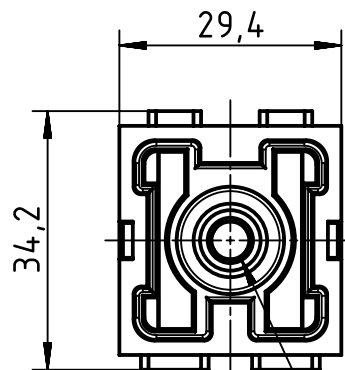
1 2 3 4 5 6

A

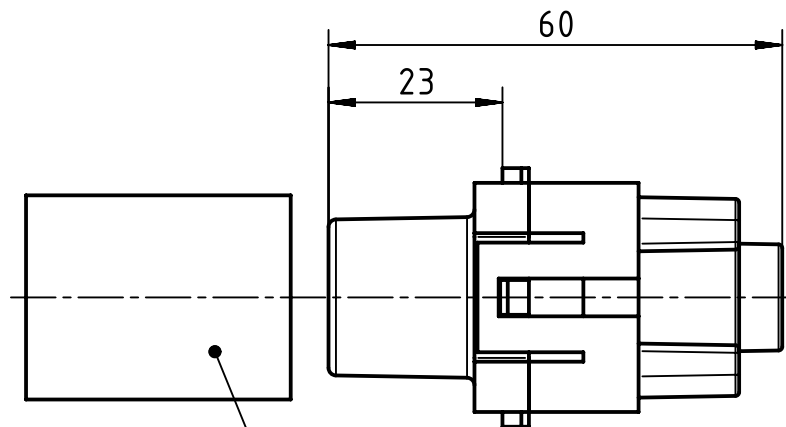
B

C

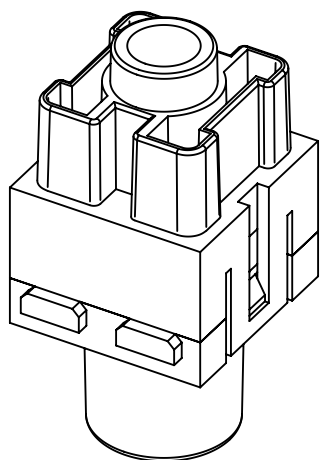
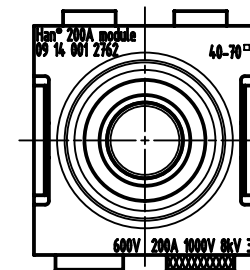
D




SW5



heat shrink tube



	All rights reserved Department EL PD - DE	All Dimensions in mm Original Size DIN A4			Scale 1:1	Free size tol.	Ref. Sub.
		Created by RULLKOETTER	Inspected by SCHNIEDER	Standardisation TIEMANNA	Date 2014-06-11	State Final Release	
HARTING Electric GmbH & Co. KG D-32339 Espelkamp		Title Han 200A axial module, female 40-70 mm ²				Doc-Key / ECM-Nr. 100097906/UGD/008/B 500000074632	
		Type TB	Number 09 14 001 2762			Rev. B	Page 1/1