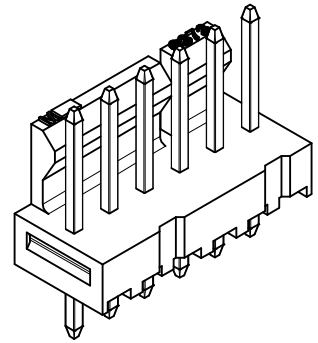
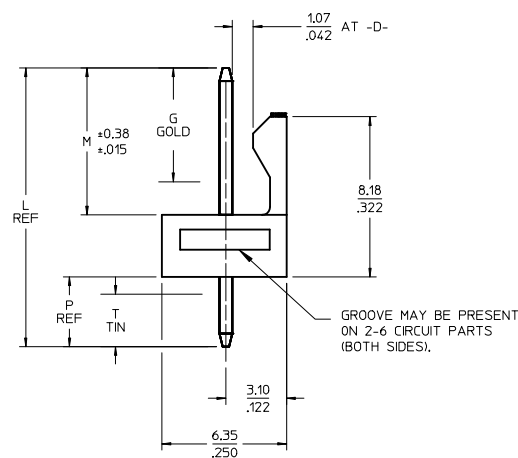
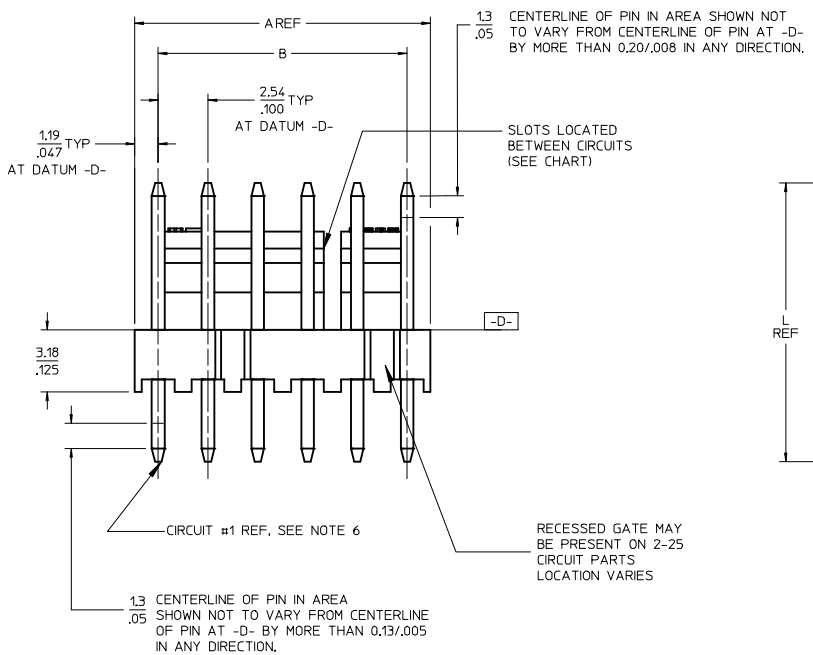


| CKT | A              | B                            | SLOTS LOCATION |
|-----|----------------|------------------------------|----------------|
| 02  | 4.93<br>.194   | 2.54 ± 0.05<br>.100 ± .002   | NONE           |
| 03  | 7.47<br>.294   | 5.08 ± 0.10<br>.200 ± .004   | NONE           |
| 04  | 10.01<br>.394  | 7.62 ± 0.13<br>.300 ± .005   | NONE           |
| 05  | 12.55<br>.494  | 10.16 ± 0.13<br>.400 ± .005  | NONE           |
| 06  | 15.09<br>.594  | 12.70 ± 0.13<br>.500 ± .005  | 4, 5           |
| 07  | 17.63<br>.694  | 15.24 ± 0.13<br>.600 ± .005  | 4, 5           |
| 08  | 20.17<br>.794  | 17.78 ± 0.15<br>.700 ± .006  | 4, 5           |
| 09  | 22.71<br>.894  | 20.32 ± 0.15<br>.800 ± .006  | 4, 5           |
| 10  | 25.25<br>.994  | 22.86 ± 0.15<br>.900 ± .006  | 4, 5           |
| 11  | 27.79<br>1.094 | 25.40 ± 0.18<br>1.000 ± .007 | 4, 5<br>8, 9   |
| 12  | 30.33<br>1.194 | 27.94 ± 0.18<br>1.100 ± .007 | 4, 5<br>8, 9   |
| 13  | 32.87<br>1.294 | 30.48 ± 0.18<br>1.200 ± .007 | 4, 5<br>8, 9   |
| 14  | 35.41<br>1.394 | 33.02 ± 0.18<br>1.300 ± .007 | 4, 5<br>8, 9   |
| 15  | 37.95<br>1.494 | 35.56 ± 0.20<br>1.400 ± .008 | 4, 5<br>12, 13 |
| 16  | 40.49<br>1.594 | 38.10 ± 0.20<br>1.500 ± .008 | 4, 5<br>12, 13 |
| 17  | 43.03<br>1.694 | 40.64 ± 0.20<br>1.600 ± .008 | 4, 5<br>12, 13 |
| 18  | 45.57<br>1.794 | 43.18 ± 0.20<br>1.700 ± .008 | 4, 5<br>12, 13 |
| 19  | 48.11<br>1.894 | 45.72 ± 0.23<br>1.800 ± .009 | 4, 5<br>16, 17 |
| 20  | 50.65<br>1.994 | 48.26 ± 0.23<br>1.900 ± .009 | 4, 5<br>16, 17 |
| 21  | 53.19<br>2.094 | 50.80 ± 0.23<br>2.000 ± .009 | 4, 5<br>16, 17 |
| 22  | 55.73<br>2.194 | 53.34 ± 0.23<br>2.100 ± .009 | 4, 5<br>16, 17 |
| 23  | 58.27<br>2.294 | 55.88 ± 0.23<br>2.200 ± .009 | 4, 5<br>20, 21 |
| 24  | 60.81<br>2.394 | 58.42 ± 0.25<br>2.300 ± .010 | 4, 5<br>20, 21 |
| 25  | 63.35<br>2.494 | 60.96 ± 0.25<br>2.400 ± .010 | 4, 5<br>20, 21 |
| 26  | 65.89<br>2.594 | 63.50 ± 0.25<br>2.500 ± .010 | 4, 5<br>20, 21 |
| 27  | 68.43<br>2.694 | 66.04 ± 0.25<br>2.600 ± .010 | 4, 5<br>24, 25 |
| 28  | 70.97<br>2.794 | 68.58 ± 0.25<br>2.700 ± .010 | 4, 5<br>24, 25 |



- NOTES:
- MATERIAL: NYLON. UL 94V-0. COLOR - WHITE.
  - FINISH:
    - (197) = OVERALL REFLOWED MATTE TIN: 0.00152/.000060 MIN OVER 0.00127/.000050 MIN NICKEL.
    - (154) = OVERALL TIN: 0.00254/.000100 MIN OVER 0.00127/.000050 MIN NICKEL.
    - (222) = OVERALL MATTE TIN: 0.00254/.000100 MIN OVER 0.00127/.000050 MIN NICKEL.
    - (225) = SELECT GOLD: 0.00005/.000002 MIN. SELECT MATTE TIN: 0.00254/.000100, BOTH OVER 0.00127/.000050 MIN NICKEL.
    - (228) = SELECT GOLD: 0.00076/.000030 MIN. SELECT MATTE TIN: 0.00254/.000100, BOTH OVER 0.00127/.000050 MIN NICKEL.
    - (231) = SELECT GOLD: 0.00127/.000050 MIN. SELECT MATTE TIN: 0.00254/.000100, BOTH OVER 0.00127/.000050 MIN NICKEL.
    - (241) = SELECT GOLD: 0.00051/.000020 MIN. SELECT MATTE TIN: 0.00254/.000100, BOTH OVER 0.00127/.000050 MIN NICKEL.
  - PRODUCT SPECIFICATION AND PROCESS PARAMETERS: PS-10-07.
  - PACKAGING INFORMATION: SEE LEGEND.
  - PARTS ARE STACKABLE END TO END ON 2.54/.100 CENTERS.
  - CIRCUIT ONE DESIGNATION IS USED TO DEFINE VOID LOCATION. CIRCUIT ONE MAY OR MAY NOT LINE UP WITH CIRCUIT ONE ON THE MATING HOUSING.
  - PIN PUSHOUT FORCE: 2 LBS MIN.
  - FOR PIN DIMENSIONS, SEE APPLICABLE DRAWING.
  - THIS PART CONFORMS TO CLASS B REQUIREMENTS OF COSMETIC SPECIFICATION PS-45499-002.

A-6373-N \* \* \* \* \*

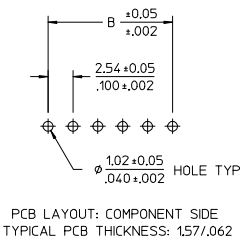
NO OF CKTS: \_\_\_\_\_

OPTIONS: SEE CHART

FINISH: SEE CHART

PACKAGING: BLANK = BULK PACK A = TUBE PACK

VOIDED CKT: SEE CHART



|     |     |
|-----|-----|
| 2-* | BD3 |
| 1   | BD3 |
| SHT | REV |

| ADD PART NUMBERS       | DESCRIPTION |
|------------------------|-------------|
| EC NO: UCP2014-3169    |             |
| DRW:MKIPPER 2014/02/03 |             |
| CHKD:NGUYEN 2014/07/25 |             |
| APPR:FSMITH 2014/08/05 |             |
| BD3                    |             |

| QUALITY SYMBOLS |
|-----------------|
| ▽=0             |
| ▽=0             |
| ▽=0             |

| GENERAL TOLERANCES (UNLESS SPECIFIED)                |        |
|--|--------|
|  | mm     |
| 4 PLACES   | ± .010 |
| 3 PLACES   | ± .015 |
| 2 PLACES   | ± .025 |
| 1 PLACE  | ± .038 |
| 0 PLACE  | ±      |
| ANGULAR ±1/2°  |        |
| DRAFT WHERE APPLICABLE MUST REMAIN WITHIN DIMENSIONS |        |

| DIMENSION STYLE |            |
|-----------------|------------|
| MM/IN           |            |
| DRAWN BY        | DATE       |
| SAMIEC          | 2004/03/31 |
| CHECKED BY      | DATE       |
| SAMIEC          | 2004/03/31 |
| APPROVED BY     | DATE       |
| FSMITH          | 2010/12/03 |
| MATERIAL NO.    | SEE CHART  |
| SIZE            | B          |

| SCALE   | DESIGN UNITS | THIRD ANGLE PROJECTION |
|---|--------------|------------------------|
| 4:1   | INCH         | ☉                      |
| TITLE   |              |                        |
| KK 100 HEADER ASSEMBLY FRICTION LOCK SOLID BODY   |              |                        |
| DOCUMENT NO.  |              |                        |
| SD-6373-001   |              |                        |
| SHEET NO.   |              |                        |
| 1 OF *  |              |                        |
| THIS DRAWING CONTAINS INFORMATION THAT IS PROPRIETARY TO MOLEX INCORPORATED AND SHOULD NOT BE USED WITHOUT WRITTEN PERMISSION |              |                        |

| GROUP:        | A-6373-NA222-*            |               |     |                 |                  |                  |     |                 |                  |                   |     |                 |                  |                        |
|---------------|---------------------------|---------------|-----|-----------------|------------------|------------------|-----|-----------------|------------------|-------------------|-----|-----------------|------------------|------------------------|
| PIN NUMBER:   | 42663-0306 OR 2766-1(222) |               |     |                 |                  |                  |     |                 |                  |                   |     |                 |                  |                        |
| PIN LENGTH: L | .560 / (14.22)            |               |     |                 |                  |                  |     |                 |                  |                   |     |                 |                  |                        |
| MATING: M     | .295 / (7.49)             |               |     | DIM. G          | N/A              |                  |     |                 |                  |                   |     |                 |                  |                        |
| PC TAIL: P    | .140 / (3.56)             |               |     | DIM T           | OVERALL          |                  |     |                 |                  |                   |     |                 |                  |                        |
| PACKAGING:    | PK-6373-001 BULK          |               |     |                 |                  |                  |     |                 |                  |                   |     |                 |                  |                        |
| CKT           | MATERIAL NUMBER           | ENG NUMBER    | CKT | MATERIAL NUMBER | ENG NUMBER       | VOID CKT         | CKT | MATERIAL NUMBER | ENG NUMBER       | VOID CKT          | CKT | MATERIAL NUMBER | ENG NUMBER       | VOID CKT               |
| 2             | 22-23-2021                | A-6373-02A222 | 9   | 22-04-5094      | A-6373-09A222-4  | 4                | 11  | 22-04-5117      | A-6373-11A222-7  | 7                 | 07  | 22-04-5076      | A-6373-07A222-2  | 2                      |
| 3             | 22-23-2031                | A-6373-03A222 | 9   | 22-04-5096      | A-6373-09A222-6  | 6                | 06  | 22-04-5063      | A-6373-06A222-3  | 3                 | 07  | 22-04-5077      | A-6373-07A222-6  | 6                      |
| 4             | 22-23-2041                | A-6373-04A222 | 11  | 22-04-5114      | A-6373-11A222-4  | 4                | 10  | 22-04-5101      | A-6373-10A222-1  | 1                 | 06  | 22-04-5069      | A-6373-06A222-54 | 4, 5                   |
| 5             | 22-23-2051                | A-6373-05A222 | 11  | 22-04-5118      | A-6373-11A222-8  | 8                | 10  | 22-04-5102      | A-6373-10A222-2  | 2                 | 25  | 22-04-5252      | A-6373-25A222-2  | 2                      |
| 6             | 22-23-2061                | A-6373-06A222 | 08  | 22-04-5083      | A-6373-08A222-3  | 3                | 10  | 22-04-5103      | A-6373-10A222-3  | 3                 | 08  | 22-04-5086      | A-6373-08A222-6  | 6                      |
| 7             | 22-23-2071                | A-6373-07A222 | 08  | 22-04-5082      | A-6373-08A222-2  | 2                | 15  | 22-04-5154      | A-6373-15A222-14 | 14                | 08  | 22-04-5087      | A-6373-08A222-52 | 2,3,5,6,7              |
| 8             | 22-23-2081                | A-6373-08A222 | 10  | 22-04-5106      | A-6373-10A222-6  | 6                | 05  | 22-04-5052      | A-6373-05A222-2  | 2                 | 10  | 22-04-5105      | A-6373-10A222-5  | 5                      |
| 9             | 22-23-2091                | A-6373-09A222 | 04  | 22-04-5043      | A-6373-04A222-3  | 3                | 08  | 22-04-5084      | A-6373-08A222-4  | 4                 | 05  | 22-04-5057      | A-6373-05A222-52 | 2, 4                   |
| 10            | 22-23-2101                | A-6373-10A222 | 08  | 22-04-5081      | A-6373-08A222-51 | 2,4,6            | 06  | 22-04-5064      | A-6373-06A222-4  | 4                 | 19  | 22-04-5198      | A-6373-19A222-8  | 8                      |
| 11            | 22-23-2111                | A-6373-11A222 | 09  | 22-04-5093      | A-6373-09A222-3  | 3                | 03  | 22-04-5031      | A-6373-03A222-1  | 1                 | 11  | 22-04-5119      | A-6373-11A222-51 | 2,4,6,8,10             |
| 12            | 22-23-2121                | A-6373-12A222 | 08  | 22-04-5085      | A-6373-08A222-5  | 5                | 05  | 22-04-5053      | A-6373-05A222-3  | 3                 | 12  | 22-04-5129      | A-6373-12A222-11 | 11                     |
| 13            | 22-23-2131                | A-6373-13A222 | 06  | 22-04-5065      | A-6373-06A222-5  | 5                | 11  | 22-04-5116      | A-6373-11A222-6  | 6                 | 08  | 22-04-5088      | A-6373-08A222-53 | 4, 6                   |
| 14            | 22-23-2141                | A-6373-14A222 | 07  | 22-04-5072      | A-6373-07A222-52 | 2,4,6            | 07  | 22-04-5074      | A-6373-07A222-4  | 4                 | 04  | 22-04-5044      | A-6373-04A222-4  | 4                      |
| 15            | 22-23-2151                | A-6373-15A222 | 06  | 22-04-5062      | A-6373-06A222-2  | 2                | 10  | 22-04-5079      | A-6373-10A222-52 | 2,3,5,6,8,9       | 27  | 22-04-5277      | A-6373-27A222-51 | 3,7,9,11,14,16, 21, 23 |
| 16            | 22-23-2161                | A-6373-16A222 | 07  | 22-04-5071      | A-6373-07A222-51 | 2,3,5,6          | 04  | 22-04-5049      | A-6373-04A222-51 | 2,3               |     |                 |                  |                        |
| 17            | 22-23-2171                | A-6373-17A222 | 10  | 22-04-5100      | A-6373-10A222-10 | 10               | 04  | 22-04-5048      | A-6373-04A222-52 | 2,4               | 11  | 22-04-5115      | A-6373-11A222-52 | 5, 6                   |
| 18            | 22-23-2181                | A-6373-18A222 | 10  | 22-04-5109      | A-6373-10A222-9  | 9                | 04  | 22-04-5041      | A-6373-04A222-1  | 1                 | 24  | 22-23-3245      | A-6373-24A222-23 | 23                     |
| 19            | 22-23-2191                | A-6373-19A222 | 10  | 22-04-5108      | A-6373-10A222-8  | 8                | 03  | 22-04-5032      | A-6373-03A222-2  | 2                 | 11  | 22-23-3115      | A-6373-11A222-10 | 10                     |
| 20            | 22-23-2201                | A-6373-20A222 | 05  | 22-04-5054      | A-6373-05A222-4  | 4                | 13  | 22-04-5139      | A-6373-13A222-9  | 9                 | 15  | 22-23-3155      | A-6373-15A222-15 | 15                     |
| 21            | 22-23-2211                | A-6373-21A222 | 03  | 22-04-5033      | A-6373-03A222-3  | 3                | 12  | 22-04-5126      | A-6373-12A222-6  | 6                 | 08  | 22-04-5089      | A-6373-08A222-54 | 2, 5                   |
| 22            | 22-23-2221                | A-6373-22A222 | 07  | 22-04-5075      | A-6373-07A222-5  | 5                | 13  | 22-04-5131      | A-6373-13A222-51 | 2,3,5,6,8,9,11,12 | 06  | 22-23-2069      | A-6373-06A222-55 | 2,3,4,5                |
| 23            | 22-23-2231                | A-6373-23A222 | 07  | 22-04-5073      | A-6373-07A222-3  | 3                | 06  | 22-04-5066      | A-6373-06A222-52 | 3,5               | 07  | 22-23-2079      | A-6373-07A222-53 | 2,3,4,5,6              |
| 24            | 22-23-2241                | A-6373-24A222 | 14  | 22-04-5149      | A-6373-14A222-9  | 9                | 05  | 22-04-5056      | A-6373-05A222-51 | 1,3,5             | 13  | 22-23-1137      | A-6373-13A222-53 | 3,6,10,12              |
| 25            | 22-23-2251                | A-6373-25A222 | 15  | 22-04-5152      | A-6373-15A222-2  | 2                | 06  | 22-04-5067      | A-6373-06A222-53 | 1, 5              | 10  | 22-23-1107      | A-6373-10A222-53 | 4,7                    |
| 26            | 22-23-2261                | A-6373-26A222 | 11  | 50-29-1594      | A-6373-11A222-53 | 2,3,4,5,7,8,9,10 | 06  | 22-04-5068      | A-6373-06A222-6  | 6                 | 18  | 22-23-1187      | A-6373-18A222-5  | 5                      |
| 27            | 22-23-2271                | A-6373-27A222 |     |                 |                  |                  | 02  | 22-04-5021      | A-6373-02A222-1  | 1                 | 18  | 22-23-1188      | A-6373-18A222-7  | 7                      |
| 28            | 22-23-2281                | A-6373-28A222 | 13  | 22-04-5132      | A-6373-13A222-52 | 8, 9             | 04  | 22-04-5042      | A-6373-04A222-2  | 2                 | 12  | 50-29-0096      | A-6373-12A222-8  | 8                      |

|   |                             |  |  |                                      |
|---|-----------------------------|--|--|--------------------------------------|
| <b>REV:</b><br><b>BD3</b>                         | <u>ECR/ECN INFORMATION:</u> | <u>TITLE:</u>                                  | <b>KK 100 HEADER ASSEMBLY<br/>FRICTION LOCK SOLID BODY</b> | <u>SHEET No.</u>                     |
|   | EC No.: <b>UCP2014-3169</b> |  |  | <b>- 2 -</b>                         |
|   | DATE: <b>8/7/2014</b>       |  |  |                                      |
| <u>DOCUMENT NUMBER:</u><br><b>SD - 6373 - 001</b> |                             | <u>CREATED / REVISED BY:</u><br><b>MKIPPER</b> | <u>CHECKED BY:</u><br><b>NNGUYEN</b>                       | <u>APPROVED BY:</u><br><b>FSMITH</b> |

| GROUP:        |                 | A-6373-NC197-*   |        |                 |            |          |
|---------------|-----------------|------------------|--------|-----------------|------------|----------|
| PIN NUMBER:   |                 | 42663-0242       |        |                 |            |          |
| PIN LENGTH: L |                 | .530 / (13.46)   |        |                 |            |          |
| MATING: M     |                 | .260 / (6.60)    | DIM. G |                 | N/A        |          |
| PC TAIL: P    |                 | .145 / (3.68)    | DIM T  |                 | OVERALL    |          |
| PACKAGING:    |                 | PK-6373-001 BULK |        |                 |            |          |
| CKTS          | MATERIAL NUMBER | ENG NUMBER       | CKTS   | MATERIAL NUMBER | ENG NUMBER | VOID CKT |
| 2             | 22-23-2023      | A-6373-02C197    |        |                 |            |          |
| 3             | 22-23-2033      | A-6373-03C197    |        |                 |            |          |
| 4             | 22-23-2043      | A-6373-04C197    |        |                 |            |          |
| 5             | 22-23-2053      | A-6373-05C197    |        |                 |            |          |
| 6             | 22-23-2063      | A-6373-06C197    |        |                 |            |          |
| 7             | 22-23-2073      | A-6373-07C197    |        |                 |            |          |
| 8             | 22-23-2083      | A-6373-08C197    |        |                 |            |          |
| 9             | 22-23-2093      | A-6373-09C197    |        |                 |            |          |
| 10            | 22-23-2103      | A-6373-10C197    |        |                 |            |          |
| 11            | 22-23-2113      | A-6373-11C197    |        |                 |            |          |
| 12            | 22-23-2123      | A-6373-12C197    |        |                 |            |          |
| 13            | 22-23-2133      | A-6373-13C197    |        |                 |            |          |
| 14            | 22-23-2143      | A-6373-14C197    |        |                 |            |          |
| 15            | 22-23-2153      | A-6373-15C197    |        |                 |            |          |
| 16            | 22-23-2163      | A-6373-16C197    |        |                 |            |          |
| 17            | 22-23-2173      | A-6373-17C197    |        |                 |            |          |
| 18            | 22-23-2183      | A-6373-18C197    |        |                 |            |          |
| 19            | 22-23-2193      | A-6373-19C197    |        |                 |            |          |
| 20            | 22-23-2203      | A-6373-20C197    |        |                 |            |          |
| 21            | 22-23-2213      | A-6373-21C197    |        |                 |            |          |
| 22            | 22-23-2223      | A-6373-22C197    |        |                 |            |          |
| 23            | 22-23-2233      | A-6373-23C197    |        |                 |            |          |
| 24            | 22-23-2243      | A-6373-24C197    |        |                 |            |          |
| 25            | 22-23-2253      | A-6373-25C197    |        |                 |            |          |
| 26            | 22-23-2263      | A-6373-26C197    |        |                 |            |          |
| 27            | 22-23-2273      | A-6373-27C197    |        |                 |            |          |
| 28            | 22-23-2283      | A-6373-28C197    |        |                 |            |          |

| GROUP:        |                 | A-6373-NV228-* |        |                 |               |          |
|---------------|-----------------|----------------|--------|-----------------|---------------|----------|
| PIN NUMBER:   |                 | 42663-0243     |        |                 |               |          |
| PIN LENGTH: L |                 | .530 / (13.46) |        |                 |               |          |
| MATING: M     |                 | .295 / (7.49)  | DIM. G |                 | .140 / (3.56) |          |
| PC TAIL: P    |                 | .110 / (2.79)  | DIM T  |                 | .135 / (3.43) |          |
| PACKAGING:    |                 | PK-6373-001    |        |                 |               |          |
| CKTS          | MATERIAL NUMBER | ENG NUMBER     | CKTS   | MATERIAL NUMBER | ENG NUMBER    | VOID CKT |
| 2             | 22-15-3029      | A-6373-02V228  |        |                 |               |          |
| 3             | 22-15-3039      | A-6373-03V228  |        |                 |               |          |
| 4             | 22-15-3049      | A-6373-04V228  |        |                 |               |          |
| 5             | 22-15-3059      | A-6373-05V228  |        |                 |               |          |
| 6             | 22-15-3069      | A-6373-06V228  |        |                 |               |          |
| 7             | 22-15-3079      | A-6373-07V228  |        |                 |               |          |
| 8             | 22-15-3089      | A-6373-08V228  |        |                 |               |          |
| 9             | 22-15-3099      | A-6373-09V228  |        |                 |               |          |
| 10            | 22-15-3109      | A-6373-10V228  |        |                 |               |          |
| 11            | 22-15-3119      | A-6373-11V228  |        |                 |               |          |
| 12            | 22-15-3129      | A-6373-12V228  |        |                 |               |          |
| 13            | 22-15-3139      | A-6373-13V228  |        |                 |               |          |
| 14            | 22-15-3149      | A-6373-14V228  |        |                 |               |          |
| 15            | 22-15-3159      | A-6373-15V228  |        |                 |               |          |
| 16            | 22-15-3169      | A-6373-16V228  |        |                 |               |          |
| 17            | 22-15-3179      | A-6373-17V228  |        |                 |               |          |
| 18            | 22-15-3189      | A-6373-18V228  |        |                 |               |          |
| 19            | 22-15-3199      | A-6373-19V228  |        |                 |               |          |
| 20            | 22-15-3209      | A-6373-20V228  |        |                 |               |          |
| 21            | 22-15-3219      | A-6373-21V228  |        |                 |               |          |
| 22            | 22-15-3229      | A-6373-22V228  |        |                 |               |          |
| 23            | 22-15-3239      | A-6373-23V228  |        |                 |               |          |
| 24            | 22-15-3249      | A-6373-24V228  |        |                 |               |          |
| 25            | 22-15-3259      | A-6373-25V228  |        |                 |               |          |
| 26            | 22-15-3269      | A-6373-26V228  |        |                 |               |          |
| 27            | 22-15-3279      | A-6373-27V228  |        |                 |               |          |
| 28            | 22-15-3289      | A-6373-28V228  |        |                 |               |          |

|   |                             |  |   |                                      |
|---|-----------------------------|--|---|--------------------------------------|
| <b>REV:</b><br><br><b>BD3</b>                     | <u>ECR/ECN INFORMATION:</u> |  | <u>TITLE:</u><br><br><b>KK 100 HEADER ASSEMBLY<br/>FRICTION LOCK SOLID BODY</b> | <u>SHEET No.</u><br><br><b>- 3 -</b> |
|   | EC No.: <b>UCP2014-3169</b> |  |   |                                      |
|   | DATE: <b>8/7/2014</b>       |  |   |                                      |
| <u>DOCUMENT NUMBER:</u><br><b>SD - 6373 - 001</b> |                             | <u>CREATED / REVISED BY:</u><br><b>MKIPPER</b> | <u>CHECKED BY:</u><br><b>NNGUYEN</b>  | <u>APPROVED BY:</u><br><b>FSMITH</b> |

|               |                 |                |        |                 |            |          |
|---------------|-----------------|----------------|--------|-----------------|------------|----------|
| GROUP:        |                 | A-6373-NE197-* |        |                 |            |          |
| PIN NUMBER:   |                 | 42663-0682     |        |                 |            |          |
| PIN LENGTH: L |                 | .750 / (19.05) |        |                 |            |          |
| MATING: M     |                 | .260 / (6.60)  | DIM. G |                 | N/A        |          |
| PC TAIL: P    |                 | .365 / (9.27)  | DIM T  |                 | OVERALL    |          |
| PACKAGING:    |                 | PK-6373-001    |        |                 |            |          |
| CKTS          | MATERIAL NUMBER | ENG NUMBER     | CKTS   | MATERIAL NUMBER | ENG NUMBER | VOID CKT |
| 2             | 22-23-2025      | A-6373-02E197  |        |                 |            |          |
| 3             |                 | A-6373-03E197  |        |                 |            |          |
| 4             |                 | A-6373-04E197  |        |                 |            |          |
| 5             | 22-23-2055      | A-6373-05E197  |        |                 |            |          |
| 6             | 22-23-2065      | A-6373-06E197  |        |                 |            |          |
| 7             |                 | A-6373-07E197  |        |                 |            |          |
| 8             |                 | A-6373-08E197  |        |                 |            |          |
| 9             |                 | A-6373-09E197  |        |                 |            |          |
| 10            | 22-23-2105      | A-6373-10E197  |        |                 |            |          |
| 11            |                 | A-6373-11E197  |        |                 |            |          |
| 12            |                 | A-6373-12E197  |        |                 |            |          |
| 13            |                 | A-6373-13E197  |        |                 |            |          |
| 14            |                 | A-6373-14E197  |        |                 |            |          |
| 15            | 22-23-2155      | A-6373-15E197  |        |                 |            |          |
| 16            |                 | A-6373-16E197  |        |                 |            |          |
| 17            |                 | A-6373-17E197  |        |                 |            |          |
| 18            |                 | A-6373-18E197  |        |                 |            |          |
| 19            |                 | A-6373-19E197  |        |                 |            |          |
| 20            |                 | A-6373-20E197  |        |                 |            |          |
| 21            |                 | A-6373-21E197  |        |                 |            |          |
| 22            |                 | A-6373-22E197  |        |                 |            |          |
| 23            |                 | A-6373-23E197  |        |                 |            |          |
| 24            |                 | A-6373-24E197  |        |                 |            |          |
| 25            |                 | A-6373-25E197  |        |                 |            |          |
| 26            |                 | A-6373-26E197  |        |                 |            |          |
| 27            |                 | A-6373-27E197  |        |                 |            |          |
| 28            |                 | A-6373-28E197  |        |                 |            |          |

|               |                 |                  |        |                 |               |          |
|---------------|-----------------|------------------|--------|-----------------|---------------|----------|
| GROUP:        |                 | A-6373-NY241-*   |        |                 |               |          |
| PIN NUMBER:   |                 | 42663-0443       |        |                 |               |          |
| PIN LENGTH: L |                 | .630 / (16.00)   |        |                 |               |          |
| MATING: M     |                 | .318 / (8.08)    | DIM. G |                 | .140 / (3.56) |          |
| PC TAIL: P    |                 | .187 / (4.75)    | DIM T  |                 | .135 / (3.43) |          |
| PACKAGING:    |                 | PK-6373-001 BULK |        |                 |               |          |
| CKTS          | MATERIAL NUMBER | ENG NUMBER       | CKTS   | MATERIAL NUMBER | ENG NUMBER    | VOID CKT |
| 2             | 22-11-2026      | A-6373-02Y241    |        |                 |               |          |
| 3             | 22-11-2036      | A-6373-03Y241    |        |                 |               |          |
| 4             | 22-11-2046      | A-6373-04Y241    |        |                 |               |          |
| 5             | 22-11-2056      | A-6373-05Y241    |        |                 |               |          |
| 6             | 22-11-2066      | A-6373-06Y241    |        |                 |               |          |
| 7             | 22-11-2076      | A-6373-07Y241    |        |                 |               |          |
| 8             | 22-11-2086      | A-6373-08Y241    |        |                 |               |          |
| 9             | 22-11-2096      | A-6373-09Y241    |        |                 |               |          |
| 10            | 22-11-2106      | A-6373-10Y241    |        |                 |               |          |
| 11            | 22-11-2116      | A-6373-11Y241    |        |                 |               |          |
| 12            | 22-11-2126      | A-6373-12Y241    |        |                 |               |          |
| 13            | 22-11-2136      | A-6373-13Y241    |        |                 |               |          |
| 14            | 22-11-2146      | A-6373-14Y241    |        |                 |               |          |
| 15            | 22-11-2156      | A-6373-15Y241    |        |                 |               |          |
| 16            | 22-11-2166      | A-6373-16Y241    |        |                 |               |          |
| 17            | 22-11-2176      | A-6373-17Y241    |        |                 |               |          |
| 18            | 22-11-2186      | A-6373-18Y241    |        |                 |               |          |
| 19            | 22-11-2196      | A-6373-19Y241    |        |                 |               |          |
| 20            | 22-11-2206      | A-6373-20Y241    |        |                 |               |          |
| 21            | 22-11-2216      | A-6373-21Y241    |        |                 |               |          |
| 22            | 22-11-2226      | A-6373-22Y241    |        |                 |               |          |
| 23            | 22-11-2236      | A-6373-23Y241    |        |                 |               |          |
| 24            | 22-11-2246      | A-6373-24Y241    |        |                 |               |          |
| 25            | 22-11-2256      | A-6373-25Y241    |        |                 |               |          |
| 26            | 22-11-2266      | A-6373-26Y241    |        |                 |               |          |
| 27            | 22-11-2276      | A-6373-27Y241    |        |                 |               |          |
| 28            | 22-11-2286      | A-6373-28Y241    |        |                 |               |          |

|  |  |  |                               |
|--|--|--|-------------------------------|
| REV:<br><b>BD3</b>                         | ECR/ECN INFORMATION:<br>EC No.: <b>UCP2014-3169</b><br>DATE: <b>8/7/2014</b> | TITLE:<br><b>KK 100 HEADER ASSEMBLY<br/>FRICTION LOCK SOLID BODY</b> | SHEET No.<br><b>- 4 -</b>     |
| DOCUMENT NUMBER:<br><b>SD - 6373 - 001</b> |  | CREATED / REVISED BY:<br><b>MKIPPER</b>                              | CHECKED BY:<br><b>NNGUYEN</b> |
|  |  | APPROVED BY:<br><b>FSMITH</b>  |                               |

| GROUP:        |                 | A-6373-NA241-*   |      |                 |                  |               |  |
|---------------|-----------------|------------------|------|-----------------|------------------|---------------|--|
| PIN NUMBER:   |                 | 42663-0305       |      |                 |                  |               |  |
| PIN LENGTH: L |                 | .560 / (14.22)   |      |                 |                  |               |  |
| MATING: M     |                 | .295 / (7.49)    |      | DIM. G          |                  | .140 / (3.56) |  |
| PC TAIL: P    |                 | .140 / (3.56)    |      | DIM T           |                  | .135 / (3.43) |  |
| PACKAGING:    |                 | PK-6373-001 BULK |      |                 |                  |               |  |
| CKTS          | MATERIAL NUMBER | ENG NUMBER       | CKTS | MATERIAL NUMBER | ENG NUMBER       | VOID CKT      |  |
| 2             | 22-11-2022      | A-6373-02A241    | 04   | 22-04-6044      | A-6373-04A241-2  | 2             |  |
| 3             | 22-11-2032      | A-6373-03A241    | 04   | 22-11-2043      | A-6373-04A241-3  | 3             |  |
| 4             | 22-11-2042      | A-6373-04A241    | 03   | 22-11-2037      | A-6373-03A241-2  | 2             |  |
| 5             | 22-11-2052      | A-6373-05A241    | 24   | 22-11-2247      | A-6373-24A241-5  | 5             |  |
| 6             | 22-11-2062      | A-6373-06A241    | 24   | 22-11-2248      | A-6373-24A241-17 | 17            |  |
| 7             | 22-11-2072      | A-6373-07A241    | 08   | 22-11-2087      | A-6373-08A241-5  | 5             |  |
| 8             | 22-11-2082      | A-6373-08A241    | 06   | 22-04-6064      | A-6373-06A241-5  | 5             |  |
| 9             | 22-11-2092      | A-6373-09A241    | 06   | 22-04-6065      | A-6373-06A241-4  | 4             |  |
| 10            | 22-11-2102      | A-6373-10A241    | 07   | 22-04-6074      | A-6373-07A241-1  | 1             |  |
| 11            | 22-11-2112      | A-6373-11A241    | 12   | 22-04-6124      | A-6373-12A241-11 | 11            |  |
| 12            | 22-11-2122      | A-6373-12A241    | 20   | 22-04-6204      | A-6373-20A241-19 | 19            |  |
| 13            | 22-11-2132      | A-6373-13A241    | 10   | 22-04-6104      | A-6373-10A241-2  | 2             |  |
| 14            | 22-11-2142      | A-6373-14A241    | 08   | 22-04-6084      | A-6373-08A241-6  | 6             |  |
| 15            | 22-11-2152      | A-6373-15A241    | 09   | 22-04-6094      | A-6373-09A241-4  | 4             |  |
| 16            | 22-11-2162      | A-6373-16A241    | 24   | 22-04-6244      | A-6373-24A241-23 | 23            |  |
| 17            | 22-11-2172      | A-6373-17A241    | 05   | 22-04-6054      | A-6373-05A241-4  | 4             |  |
| 18            | 22-11-2182      | A-6373-18A241    | 11   | 26-01-3192      | A-6373-11A241-5  | 5             |  |
| 19            | 22-11-2192      | A-6373-19A241    | 10   | 26-01-3194      | A-6373-10A241-3  | 3             |  |
| 20            | 22-11-2202      | A-6373-20A241    | 07   | 46999-0649      | A-6373-07A241-51 | 2,4,6         |  |
| 21            | 22-11-2212      | A-6373-21A241    | 05   | 46999-0654      | A-6373-05A241-2  | 2             |  |
| 22            | 22-11-2222      | A-6373-22A241    |      |                 |                  |               |  |
| 23            | 22-11-2232      | A-6373-23A241    |      |                 |                  |               |  |
| 24            | 22-11-2242      | A-6373-24A241    |      |                 |                  |               |  |
| 25            | 22-11-2252      | A-6373-25A241    |      |                 |                  |               |  |
| 26            | 22-11-2262      | A-6373-26A241    |      |                 |                  |               |  |
| 27            | 22-11-2272      | A-6373-27A241    |      |                 |                  |               |  |
| 28            | 22-11-2282      | A-6373-28A241    |      |                 |                  |               |  |

| GROUP:        |                 | A-6373-NA222-* (continued) |      |                 |                  |                      |  |
|---------------|-----------------|----------------------------|------|-----------------|------------------|----------------------|--|
| PIN NUMBER:   |                 | 42663-0306 OR 2766-1(222)  |      |                 |                  |                      |  |
| PIN LENGTH: L |                 | .560 / (14.22)             |      |                 |                  |                      |  |
| MATING: M     |                 | .295 / (7.49)              |      | DIM. G          |                  | N/A                  |  |
| PC TAIL: P    |                 | .140 / (3.56)              |      | DIM T           |                  | OVERALL              |  |
| PACKAGING:    |                 | PK-6373-001 BULK           |      |                 |                  |                      |  |
| CKTS          | MATERIAL NUMBER | ENG NUMBER                 | CKTS | MATERIAL NUMBER | ENG NUMBER       | VOID CKT             |  |
|               |                 |                            | 13   | 50-29-1611      | A-6373-13A222-54 | 2,3,4,6,7,8,10,11,12 |  |
|               |                 |                            | 16   | 22-23-1189      | A-6373-16A222-2  | 2                    |  |
|               |                 |                            | 10   | 22-04-5107      | A-6373-10A222-7  | 7                    |  |
|               |                 |                            | 16   | 22-23-2165      | A-6373-16A222-15 | 15                   |  |
|               |                 |                            | 10   | 22-04-5110      | A-6373-10A222-4  | 4                    |  |
|               |                 |                            | 09   | 50-29-1766      | A-6373-09A222-8  | 8                    |  |
|               |                 |                            | 09   | 50-29-1769      | A-6373-09A222-2  | 2                    |  |
|               |                 |                            | 14   | 46999-0607      | A-6373-14A222-51 | 2,3,4,7,8,9,11,12,13 |  |
|               |                 |                            |      |                 |                  |                      |  |
|               |                 |                            |      |                 |                  |                      |  |
|               |                 |                            |      |                 |                  |                      |  |
|               |                 |                            |      |                 |                  |                      |  |
|               |                 |                            |      |                 |                  |                      |  |
|               |                 |                            |      |                 |                  |                      |  |
|               |                 |                            |      |                 |                  |                      |  |
|               |                 |                            |      |                 |                  |                      |  |
|               |                 |                            |      |                 |                  |                      |  |
|               |                 |                            |      |                 |                  |                      |  |
|               |                 |                            |      |                 |                  |                      |  |
|               |                 |                            |      |                 |                  |                      |  |
|               |                 |                            |      |                 |                  |                      |  |
|               |                 |                            |      |                 |                  |                      |  |
|               |                 |                            |      |                 |                  |                      |  |
|               |                 |                            |      |                 |                  |                      |  |
|               |                 |                            |      |                 |                  |                      |  |
|               |                 |                            |      |                 |                  |                      |  |
|               |                 |                            |      |                 |                  |                      |  |
|               |                 |                            |      |                 |                  |                      |  |
|               |                 |                            |      |                 |                  |                      |  |
|               |                 |                            |      |                 |                  |                      |  |
|               |                 |                            |      |                 |                  |                      |  |
|               |                 |                            |      |                 |                  |                      |  |

|                        |                      |                       |  |               |
|------------------------|----------------------|-----------------------|--|---------------|
| REV:                   | ECR/ECN INFORMATION: | TITLE:                | <b>KK 100 HEADER ASSEMBLY<br/>FRICTION LOCK SOLID BODY</b> | SHEET No.     |
| <b>BD3</b>             | EC No.: UCP2014-3169 |                       |  | <b>- 5 -</b>  |
|                        | DATE: 8/7/2014       |                       |  |               |
| DOCUMENT NUMBER:       |                      | CREATED / REVISED BY: | CHECKED BY:  | APPROVED BY:  |
| <b>SD - 6373 - 001</b> |                      | <b>MKIPPER</b>        | <b>NNGUYEN</b>   | <b>FSMITH</b> |

| GROUP:        |                 | A-6373-NAB197-*  |        |                 |            |          |
|---------------|-----------------|------------------|--------|-----------------|------------|----------|
| PIN NUMBER:   |                 | 42663-0582       |        |                 |            |          |
| PIN LENGTH: L |                 | .700 / (17.78)   |        |                 |            |          |
| MATING: M     |                 | .286 / (7.26)    | DIM. G |                 | N/A        |          |
| PC TAIL: P    |                 | .289 / (7.34)    | DIM T  |                 | OVERALL    |          |
| PACKAGING:    |                 | PK-6373-001 BULK |        |                 |            |          |
| CKTS          | MATERIAL NUMBER | ENG NUMBER       | CKTS   | MATERIAL NUMBER | ENG NUMBER | VOID CKT |
| 2             |                 | A-6373-02AB197   |        |                 |            |          |
| 3             | 50-29-0052      | A-6373-03AB197   |        |                 |            |          |
| 4             | 50-29-0053      | A-6373-04AB197   |        |                 |            |          |
| 5             |                 | A-6373-05AB197   |        |                 |            |          |
| 6             |                 | A-6373-06AB197   |        |                 |            |          |
| 7             |                 | A-6373-07AB197   |        |                 |            |          |
| 8             | 50-29-0057      | A-6373-08AB197   |        |                 |            |          |
| 9             |                 | A-6373-09AB197   |        |                 |            |          |
| 10            | 50-29-0058      | A-6373-10AB197   |        |                 |            |          |
| 11            |                 | A-6373-11AB197   |        |                 |            |          |
| 12            |                 | A-6373-12AB197   |        |                 |            |          |
| 13            |                 | A-6373-13AB197   |        |                 |            |          |
| 14            |                 | A-6373-14AB197   |        |                 |            |          |
| 15            |                 | A-6373-15AB197   |        |                 |            |          |
| 16            |                 | A-6373-16AB197   |        |                 |            |          |
| 17            |                 | A-6373-17AB197   |        |                 |            |          |
| 18            |                 | A-6373-18AB197   |        |                 |            |          |
| 19            |                 | A-6373-19AB197   |        |                 |            |          |
| 20            |                 | A-6373-20AB197   |        |                 |            |          |
| 21            |                 | A-6373-21AB197   |        |                 |            |          |
| 22            |                 | A-6373-22AB197   |        |                 |            |          |
| 23            |                 | A-6373-23AB197   |        |                 |            |          |
| 24            |                 | A-6373-24AB197   |        |                 |            |          |
| 25            |                 | A-6373-25AB197   |        |                 |            |          |
| 26            |                 | A-6373-26AB197   |        |                 |            |          |
| 27            |                 | A-6373-27AB197   |        |                 |            |          |
| 28            |                 | A-6373-28AB197   |        |                 |            |          |

| GROUP:        |                 | A-6373-NA231-*   |        |                 |               |          |
|---------------|-----------------|------------------|--------|-----------------|---------------|----------|
| PIN NUMBER:   |                 | 42663-0307       |        |                 |               |          |
| PIN LENGTH: L |                 | .560 / (14.22)   |        |                 |               |          |
| MATING: M     |                 | .295 / (7.49)    | DIM. G |                 | .140 / (3.56) |          |
| PC TAIL: P    |                 | .140 / (3.56)    | DIM T  |                 | .135 / (3.43) |          |
| PACKAGING:    |                 | PK-6373-001 BULK |        |                 |               |          |
| CKTS          | MATERIAL NUMBER | ENG NUMBER       | CKTS   | MATERIAL NUMBER | ENG NUMBER    | VOID CKT |
| 2             | 22-04-5022      | A-6373-02A231    |        |                 |               |          |
| 3             |                 | A-6373-03A231    |        |                 |               |          |
| 4             |                 | A-6373-04A231    |        |                 |               |          |
| 5             |                 | A-6373-05A231    |        |                 |               |          |
| 6             |                 | A-6373-06A231    |        |                 |               |          |
| 7             |                 | A-6373-07A231    |        |                 |               |          |
| 8             |                 | A-6373-08A231    |        |                 |               |          |
| 9             |                 | A-6373-09A231    |        |                 |               |          |
| 10            |                 | A-6373-10A231    |        |                 |               |          |
| 11            |                 | A-6373-11A231    |        |                 |               |          |
| 12            |                 | A-6373-12A231    |        |                 |               |          |
| 13            |                 | A-6373-13A231    |        |                 |               |          |
| 14            |                 | A-6373-14A231    |        |                 |               |          |
| 15            |                 | A-6373-15A231    |        |                 |               |          |
| 16            |                 | A-6373-16A231    |        |                 |               |          |
| 17            |                 | A-6373-17A231    |        |                 |               |          |
| 18            |                 | A-6373-18A231    |        |                 |               |          |
| 19            |                 | A-6373-19A231    |        |                 |               |          |
| 20            |                 | A-6373-20A231    |        |                 |               |          |
| 21            |                 | A-6373-21A231    |        |                 |               |          |
| 22            |                 | A-6373-22A231    |        |                 |               |          |
| 23            |                 | A-6373-23A231    |        |                 |               |          |
| 24            |                 | A-6373-24A231    |        |                 |               |          |
| 25            |                 | A-6373-25A231    |        |                 |               |          |
| 26            |                 | A-6373-26A231    |        |                 |               |          |
| 27            |                 | A-6373-27A231    |        |                 |               |          |
| 28            |                 | A-6373-28A231    |        |                 |               |          |

|   |                             |  |   |                                      |
|---|-----------------------------|--|---|--------------------------------------|
| <b>REV:</b><br><br><b>BD3</b>                     | <u>ECR/ECN INFORMATION:</u> |  | <u>TITLE:</u><br><br><b>KK 100 HEADER ASSEMBLY<br/>FRICTION LOCK SOLID BODY</b> | <u>SHEET No.</u><br><br><b>- 6 -</b> |
|   | EC No.: <b>UCP2014-3169</b> |  |   |                                      |
|   | DATE: <b>8/7/2014</b>       |  |   |                                      |
| <u>DOCUMENT NUMBER:</u><br><b>SD - 6373 - 001</b> |                             | <u>CREATED / REVISED BY:</u><br><b>MKIPPER</b> | <u>CHECKED BY:</u><br><b>NNGUYEN</b>  | <u>APPROVED BY:</u><br><b>FSMITH</b> |

| GROUP:        |                 | A-6373-NAH241-*  |        |                 |               |          |
|---------------|-----------------|------------------|--------|-----------------|---------------|----------|
| PIN NUMBER:   |                 | 42663-0305       |        |                 |               |          |
| PIN LENGTH: L |                 | .560 / (14.22)   |        |                 |               |          |
| MATING: M     |                 | .260 / (6.60)    | DIM. G |                 | .140 / (3.56) |          |
| PC TAIL: P    |                 | .175 / (4.45)    | DIM T  |                 | .135 / (3.43) |          |
| PACKAGING:    |                 | PK-6373-001 BULK |        |                 |               |          |
| CKTS          | MATERIAL NUMBER | ENG NUMBER       | CK TS  | MATERIAL NUMBER | ENG NUMBER    | VOID CKT |
| 2             | 22-23-6024      | A-6373-02AH241   |        |                 |               |          |
| 3             | 22-23-6034      | A-6373-03AH241   |        |                 |               |          |
| 4             | 22-23-6044      | A-6373-04AH241   |        |                 |               |          |
| 5             | 22-23-6054      | A-6373-05AH241   |        |                 |               |          |
| 6             | 22-23-6064      | A-6373-06AH241   |        |                 |               |          |
| 7             | 22-23-6074      | A-6373-07AH241   |        |                 |               |          |
| 8             | 22-23-6084      | A-6373-08AH241   |        |                 |               |          |
| 9             | 22-23-6094      | A-6373-09AH241   |        |                 |               |          |
| 10            | 22-23-6104      | A-6373-10AH241   |        |                 |               |          |
| 11            | 22-23-6114      | A-6373-11AH241   |        |                 |               |          |
| 12            | 22-23-6124      | A-6373-12AH241   |        |                 |               |          |
| 13            | 22-23-6134      | A-6373-13AH241   |        |                 |               |          |
| 14            | 22-23-6144      | A-6373-14AH241   |        |                 |               |          |
| 15            | 22-23-6154      | A-6373-15AH241   |        |                 |               |          |
| 16            | 22-23-6164      | A-6373-16AH241   |        |                 |               |          |
| 17            | 22-23-6174      | A-6373-17AH241   |        |                 |               |          |
| 18            | 22-23-6184      | A-6373-18AH241   |        |                 |               |          |
| 19            | 22-23-6194      | A-6373-19AH241   |        |                 |               |          |
| 20            | 22-23-6204      | A-6373-20AH241   |        |                 |               |          |
| 21            | 22-23-6214      | A-6373-21AH241   |        |                 |               |          |
| 22            | 22-23-6224      | A-6373-22AH241   |        |                 |               |          |
| 23            | 22-23-6234      | A-6373-23AH241   |        |                 |               |          |
| 24            | 22-23-6244      | A-6373-24AH241   |        |                 |               |          |
| 25            | 22-23-6254      | A-6373-25AH241   |        |                 |               |          |
| 26            | 22-23-6264      | A-6373-26AH241   |        |                 |               |          |
| 27            | 22-23-6274      | A-6373-27AH241   |        |                 |               |          |
| 28            | 22-23-6284      | A-6373-28AH241   |        |                 |               |          |

| GROUP:        |                 | A-6373-NA228-*   |        |                 |                 |          |
|---------------|-----------------|------------------|--------|-----------------|-----------------|----------|
| PIN NUMBER:   |                 | 42663-0304       |        |                 |                 |          |
| PIN LENGTH: L |                 | .560 / (14.22)   |        |                 |                 |          |
| MATING: M     |                 | .295 / (7.49)    | DIM. G |                 | .140 / (3.56)   |          |
| PC TAIL: P    |                 | .140 / (3.56)    | DIM T  |                 | .135 / (3.43)   |          |
| PACKAGING:    |                 | PK-6373-001 BULK |        |                 |                 |          |
| CKTS          | MATERIAL NUMBER | ENG NUMBER       | CKTS   | MATERIAL NUMBER | ENG NUMBER      | VOID CKT |
| 2             | 22-11-2028      | A-6373-02A228    | 09     | 22-11-2095      | A-6373-09A228-3 | 3        |
| 3             | 22-11-2038      | A-6373-03A228    | 09     | 22-11-2097      | A-6373-09A228-5 | 5        |
| 4             | 22-11-2048      | A-6373-04A228    | 05     | 22-11-2055      | A-6373-05A228-3 | 3        |
| 5             | 22-11-2058      | A-6373-05A228    | 11     | 22-11-2117      | A-6373-11A228-5 | 5        |
| 6             | 22-11-2068      | A-6373-06A228    |        |                 |                 |          |
| 7             | 22-11-2078      | A-6373-07A228    |        |                 |                 |          |
| 8             | 22-11-2088      | A-6373-08A228    |        |                 |                 |          |
| 9             | 22-11-2098      | A-6373-09A228    |        |                 |                 |          |
| 10            | 22-11-2108      | A-6373-10A228    |        |                 |                 |          |
| 11            | 22-11-2118      | A-6373-11A228    |        |                 |                 |          |
| 12            | 22-11-2128      | A-6373-12A228    |        |                 |                 |          |
| 13            | 22-11-2138      | A-6373-13A228    |        |                 |                 |          |
| 14            | 22-11-2148      | A-6373-14A228    |        |                 |                 |          |
| 15            |                 | A-6373-15A228    |        |                 |                 |          |
| 16            |                 | A-6373-16A228    |        |                 |                 |          |
| 17            | 22-11-2178      | A-6373-17A228    |        |                 |                 |          |
| 18            | 46999-0605      | A-6373-18A228    |        |                 |                 |          |
| 19            |                 | A-6373-19A228    |        |                 |                 |          |
| 20            |                 | A-6373-20A228    |        |                 |                 |          |
| 21            |                 | A-6373-21A228    |        |                 |                 |          |
| 22            | 22-11-2228      | A-6373-22A228    |        |                 |                 |          |
| 23            |                 | A-6373-23A228    |        |                 |                 |          |
| 24            |                 | A-6373-24A228    |        |                 |                 |          |
| 25            |                 | A-6373-25A228    |        |                 |                 |          |
| 26            |                 | A-6373-26A228    |        |                 |                 |          |
| 27            |                 | A-6373-27A228    |        |                 |                 |          |
| 28            |                 | A-6373-28A228    |        |                 |                 |          |

|   |                             |  |   |                                      |
|---|-----------------------------|--|---|--------------------------------------|
| REV:<br><b>BD3</b>                                | <u>ECR/ECN INFORMATION:</u> |  | <u>TITLE:</u><br><b>KK 100 HEADER ASSEMBLY<br/>FRICTION LOCK SOLID BODY</b> | <u>SHEET No.</u><br><b>- 7 -</b>     |
|   | EC No.: <b>UCP2014-3169</b> |  |   |                                      |
|   | DATE: <b>8/7/2014</b>       |  |   |                                      |
| <u>DOCUMENT NUMBER:</u><br><b>SD - 6373 - 001</b> |                             | <u>CREATED / REVISED BY:</u><br><b>MKIPPER</b> | <u>CHECKED BY:</u><br><b>NNGUYEN</b>  | <u>APPROVED BY:</u><br><b>FSMITH</b> |

| GROUP:        |                 | A-6373-NAD197-*  |        |                 |            |          |
|---------------|-----------------|------------------|--------|-----------------|------------|----------|
| PIN NUMBER:   |                 | 42663-0302       |        |                 |            |          |
| PIN LENGTH: L |                 | .560 / (14.22)   |        |                 |            |          |
| MATING: M     |                 | .295 / (7.49)    | DIM. G |                 | N/A        |          |
| PC TAIL: P    |                 | .140 / (3.56)    | DIM T  |                 | OVERALL    |          |
| PACKAGING:    |                 | PK-6373-001 BULK |        |                 |            |          |
| CKTS          | MATERIAL NUMBER | ENG NUMBER       | CKTS   | MATERIAL NUMBER | ENG NUMBER | VOID CKT |
| 2             | 22-23-2028      | A-6373-02AD197   |        |                 |            |          |
| 3             | 22-23-2038      | A-6373-03AD197   |        |                 |            |          |
| 4             | 22-23-2048      | A-6373-04AD197   |        |                 |            |          |
| 5             | 22-23-2058      | A-6373-05AD197   |        |                 |            |          |
| 6             | 22-23-2068      | A-6373-06AD197   |        |                 |            |          |
| 7             | 22-23-2078      | A-6373-07AD197   |        |                 |            |          |
| 8             | 22-23-2088      | A-6373-08AD197   |        |                 |            |          |
| 9             | 22-23-2098      | A-6373-09AD197   |        |                 |            |          |
| 10            | 22-23-2108      | A-6373-10AD197   |        |                 |            |          |
| 11            | 22-23-2118      | A-6373-11AD197   |        |                 |            |          |
| 12            | 22-23-2128      | A-6373-12AD197   |        |                 |            |          |
| 13            | 22-23-2138      | A-6373-13AD197   |        |                 |            |          |
| 14            | 22-23-2148      | A-6373-14AD197   |        |                 |            |          |
| 15            | 22-23-2158      | A-6373-15AD197   |        |                 |            |          |
| 16            | 22-23-2168      | A-6373-16AD197   |        |                 |            |          |
| 17            | 22-23-2178      | A-6373-17AD197   |        |                 |            |          |
| 18            | 22-23-2188      | A-6373-18AD197   |        |                 |            |          |
| 19            | 22-23-2198      | A-6373-19AD197   |        |                 |            |          |
| 20            | 22-23-2208      | A-6373-20AD197   |        |                 |            |          |
| 21            | 22-23-2218      | A-6373-21AD197   |        |                 |            |          |
| 22            | 22-23-2228      | A-6373-22AD197   |        |                 |            |          |
| 23            | 22-23-2238      | A-6373-23AD197   |        |                 |            |          |
| 24            | 22-23-2248      | A-6373-24AD197   |        |                 |            |          |
| 25            | 22-23-2258      | A-6373-25AD197   |        |                 |            |          |
| 26            | 22-23-2268      | A-6373-26AD197   |        |                 |            |          |
| 27            | 22-23-2278      | A-6373-27AD197   |        |                 |            |          |
| 28            | 22-23-2288      | A-6373-28AD197   |        |                 |            |          |

| GROUP:        |                 |            |      |                 |            |          |
|---------------|-----------------|------------|------|-----------------|------------|----------|
| PIN NUMBER:   |                 |            |      |                 |            |          |
| PIN LENGTH: L |                 |            |      |                 |            |          |
| MATING: M     |                 |            |      |                 |            |          |
| PC TAIL: P    |                 |            |      |                 |            |          |
| PACKAGING:    |                 |            |      |                 |            |          |
| CKTS          | MATERIAL NUMBER | ENG NUMBER | CKTS | MATERIAL NUMBER | ENG NUMBER | VOID CKT |
| 2             |                 |            |      |                 |            |          |
| 3             |                 |            |      |                 |            |          |
| 4             |                 |            |      |                 |            |          |
| 5             |                 |            |      |                 |            |          |
| 6             |                 |            |      |                 |            |          |
| 7             |                 |            |      |                 |            |          |
| 8             |                 |            |      |                 |            |          |
| 9             |                 |            |      |                 |            |          |
| 10            |                 |            |      |                 |            |          |
| 11            |                 |            |      |                 |            |          |
| 12            |                 |            |      |                 |            |          |
| 13            |                 |            |      |                 |            |          |
| 14            |                 |            |      |                 |            |          |
| 15            |                 |            |      |                 |            |          |
| 16            |                 |            |      |                 |            |          |
| 17            |                 |            |      |                 |            |          |
| 18            |                 |            |      |                 |            |          |
| 19            |                 |            |      |                 |            |          |
| 20            |                 |            |      |                 |            |          |
| 21            |                 |            |      |                 |            |          |
| 22            |                 |            |      |                 |            |          |
| 23            |                 |            |      |                 |            |          |
| 24            |                 |            |      |                 |            |          |
| 25            |                 |            |      |                 |            |          |
| 26            |                 |            |      |                 |            |          |
| 27            |                 |            |      |                 |            |          |
| 28            |                 |            |      |                 |            |          |

|   |                             |  |   |                                      |
|---|-----------------------------|--|---|--------------------------------------|
| <b>REV:</b><br><br><b>BD3</b>                     | <u>ECR/ECN INFORMATION:</u> |  | <u>TITLE:</u><br><br><b>KK 100 HEADER ASSEMBLY<br/>FRICTION LOCK SOLID BODY</b> | <u>SHEET No.</u><br><br><b>- 8 -</b> |
|   | EC No.: <b>UCP2014-3169</b> |  |   |                                      |
|   | DATE: <b>8/7/2014</b>       |  |   |                                      |
| <u>DOCUMENT NUMBER:</u><br><b>SD - 6373 - 001</b> |                             | <u>CREATED / REVISED BY:</u><br><b>MKIPPER</b> | <u>CHECKED BY:</u><br><b>NNGUYEN</b>  | <u>APPROVED BY:</u><br><b>FSMITH</b> |



| GROUP:       |                 | A-6373-NA197-*   |        |                 |                 |          |
|--------------|-----------------|------------------|--------|-----------------|-----------------|----------|
| PIN NUMBER:  |                 | 42663-0302       |        |                 |                 |          |
| PIN LENGTH L |                 | .560 / (14.22)   |        |                 |                 |          |
| MATING: M    |                 | .295 / (7.49)    | DIM. G |                 | N/A             |          |
| PC TAIL: P   |                 | .140 / (3.56)    | DIM T  |                 | OVERALL         |          |
| PACKAGING:   |                 | PK-6373-001 BULK |        |                 |                 |          |
| CKTS         | MATERIAL NUMBER | ENG NUMBER       | CKTS   | MATERIAL NUMBER | ENG NUMBER      | VOID CKT |
| 2            | 22-23-2027      | A-6373-02A197    | 5      | 22-04-6053      | A-6373-05A197-3 | 3        |
| 3            | 22-23-2037      | A-6373-03A197    |        |                 |                 |          |
| 4            | 22-23-2047      | A-6373-04A197    |        |                 |                 |          |
| 5            | 22-23-2057      | A-6373-05A197    |        |                 |                 |          |
| 6            | 22-23-2067      | A-6373-06A197    |        |                 |                 |          |
| 7            | 22-23-2077      | A-6373-07A197    |        |                 |                 |          |
| 8            | 22-23-2087      | A-6373-08A197    |        |                 |                 |          |
| 9            | 22-23-2097      | A-6373-09A197    |        |                 |                 |          |
| 10           | 22-23-2107      | A-6373-10A197    |        |                 |                 |          |
| 11           | 22-23-2117      | A-6373-11A197    |        |                 |                 |          |
| 12           | 22-23-2127      | A-6373-12A197    |        |                 |                 |          |
| 13           | 22-23-2137      | A-6373-13A197    |        |                 |                 |          |
| 14           | 22-23-2147      | A-6373-14A197    |        |                 |                 |          |
| 15           | 22-23-2157      | A-6373-15A197    |        |                 |                 |          |
| 16           | 22-23-2167      | A-6373-16A197    |        |                 |                 |          |
| 17           | 22-23-2177      | A-6373-17A197    |        |                 |                 |          |
| 18           | 22-23-2187      | A-6373-18A197    |        |                 |                 |          |
| 19           | 22-23-2197      | A-6373-19A197    |        |                 |                 |          |
| 20           | 22-23-2207      | A-6373-20A197    |        |                 |                 |          |
| 21           | 22-23-2217      | A-6373-21A197    |        |                 |                 |          |
| 22           | 22-23-2227      | A-6373-22A197    |        |                 |                 |          |
| 23           | 22-23-2237      | A-6373-23A197    |        |                 |                 |          |
| 24           | 22-23-2247      | A-6373-24A197    |        |                 |                 |          |
| 25           | 22-23-2257      | A-6373-25A197    |        |                 |                 |          |
| 26           | 22-23-2267      | A-6373-26A197    |        |                 |                 |          |
| 27           | 22-23-2277      | A-6373-27A197    |        |                 |                 |          |
| 28           | 22-23-2287      | A-6373-28A197    |        |                 |                 |          |

| GROUP:        |                 | A-6373-NA197A-*   |        |                 |                  |          |
|---------------|-----------------|-------------------|--------|-----------------|------------------|----------|
| PIN NUMBER:   |                 | 42663-0302        |        |                 |                  |          |
| PIN LENGTH: L |                 | .560 / (14.22)    |        |                 |                  |          |
| MATING: M     |                 | .295 / (7.49)     | DIM. G |                 | N/A              |          |
| PC TAIL: P    |                 | .140 / (3.56)     | DIM T  |                 | OVERALL          |          |
| PACKAGING:    |                 | PK-44743-001 BULK |        |                 |                  |          |
| CKTS          | MATERIAL NUMBER | ENG NUMBER        | CKTS   | MATERIAL NUMBER | ENG NUMBER       | VOID CKT |
| 2             | 22-23-6021      | A-6373-02A197A    | 10     | 22-23-6106      | A-6373-10A197A-2 | 2        |
| 3             | 22-23-6031      | A-6373-03A197A    |        |                 |                  |          |
| 4             | 22-23-6041      | A-6373-04A197A    |        |                 |                  |          |
| 5             | 22-23-6051      | A-6373-05A197A    |        |                 |                  |          |
| 6             | 22-23-6061      | A-6373-06A197A    |        |                 |                  |          |
| 7             | 22-23-6071      | A-6373-07A197A    |        |                 |                  |          |
| 8             | 22-23-6081      | A-6373-08A197A    |        |                 |                  |          |
| 9             | 22-23-6091      | A-6373-09A197A    |        |                 |                  |          |
| 10            | 22-23-6101      | A-6373-10A197A    |        |                 |                  |          |
| 11            | 22-23-6111      | A-6373-11A197A    |        |                 |                  |          |
| 12            | 22-23-6121      | A-6373-12A197A    |        |                 |                  |          |
| 13            | 22-23-6131      | A-6373-13A197A    |        |                 |                  |          |
| 14            | 22-23-6141      | A-6373-14A197A    |        |                 |                  |          |
| 15            | 22-23-6151      | A-6373-15A197A    |        |                 |                  |          |
| 16            | 22-23-6161      | A-6373-16A197A    |        |                 |                  |          |
| 17            | 22-23-6171      | A-6373-17A197A    |        |                 |                  |          |
| 18            | 22-23-6181      | A-6373-18A197A    |        |                 |                  |          |
| 19            | 22-23-6191      | A-6373-19A197A    |        |                 |                  |          |
| 20            | 22-23-6201      | A-6373-20A197A    |        |                 |                  |          |
| 21            | 22-23-6211      | A-6373-21A197A    |        |                 |                  |          |
| 22            | 22-23-6221      | A-6373-22A197A    |        |                 |                  |          |
| 23            | 22-23-6231      | A-6373-23A197A    |        |                 |                  |          |
| 24            | 22-23-6241      | A-6373-24A197A    |        |                 |                  |          |
| 25            | 22-23-6251      | A-6373-25A197A    |        |                 |                  |          |
| 26            | 22-23-6261      | A-6373-26A197A    |        |                 |                  |          |
| 27            | 22-23-6271      | A-6373-27A197A    |        |                 |                  |          |
| 28            | 22-23-6281      | A-6373-28A197A    |        |                 |                  |          |

|   |                             |  |   |                                      |
|---|-----------------------------|--|---|--------------------------------------|
| <b>REV:</b><br><br><b>BD3</b>                     | <u>ECR/ECN INFORMATION:</u> |  | <u>TITLE:</u><br><br><b>KK 100 HEADER ASSEMBLY<br/>FRICTION LOCK SOLID BODY</b> | <u>SHEET No.</u><br><br><b>- 9 -</b> |
|   | EC No.: <b>UCP2014-3169</b> |  |   |                                      |
|   | DATE: <b>8/7/2014</b>       |  |   |                                      |
| <u>DOCUMENT NUMBER:</u><br><b>SD - 6373 - 001</b> |                             | <u>CREATED / REVISED BY:</u><br><b>MKIPPER</b> | <u>CHECKED BY:</u><br><b>NNGUYEN</b>  | <u>APPROVED BY:</u><br><b>FSMITH</b> |

| GROUP:        |                 | A-6373-NAF197-* |        |                 |            |          |
|---------------|-----------------|-----------------|--------|-----------------|------------|----------|
| PIN NUMBER:   |                 | 42663-0182      |        |                 |            |          |
| PIN LENGTH: L |                 | .500 / (12.70)  |        |                 |            |          |
| MATING :      | M               | .260 / (6.60)   | DIM. G | N/A             |            |          |
| PC TAIL:      | P               | .115 / (2.92)   | DIM T  | OVERALL         |            |          |
| PACKAGING:    |                 | PK-6373-001     |        |                 |            |          |
| CKTS          | MATERIAL NUMBER | ENG NUMBER      | CKTS   | MATERIAL NUMBER | ENG NUMBER | VOID CKT |
| 2             | 22-23-2020      | A-6373-02AF197  |        |                 |            |          |
| 3             | 22-23-2030      | A-6373-03AF197  |        |                 |            |          |
| 4             | 22-23-2040      | A-6373-04AF197  |        |                 |            |          |
| 5             | 22-23-2050      | A-6373-05AF197  |        |                 |            |          |
| 6             | 22-23-2060      | A-6373-06AF197  |        |                 |            |          |
| 7             | 22-23-2070      | A-6373-07AF197  |        |                 |            |          |
| 8             | 22-23-2080      | A-6373-08AF197  |        |                 |            |          |
| 9             | 22-23-2090      | A-6373-09AF197  |        |                 |            |          |
| 10            | 22-23-2100      | A-6373-10AF197  |        |                 |            |          |
| 11            | 22-23-2110      | A-6373-11AF197  |        |                 |            |          |
| 12            | 22-23-2120      | A-6373-12AF197  |        |                 |            |          |
| 13            | 22-23-2130      | A-6373-13AF197  |        |                 |            |          |
| 14            | 22-23-2140      | A-6373-14AF197  |        |                 |            |          |
| 15            | 22-23-2150      | A-6373-15AF197  |        |                 |            |          |
| 16            | 22-23-2160      | A-6373-16AF197  |        |                 |            |          |
| 17            | 22-23-2170      | A-6373-17AF197  |        |                 |            |          |
| 18            | 22-23-2180      | A-6373-18AF197  |        |                 |            |          |
| 19            | 22-23-2190      | A-6373-19AF197  |        |                 |            |          |
| 20            | 22-23-2200      | A-6373-20AF197  |        |                 |            |          |
| 21            | 22-23-2210      | A-6373-21AF197  |        |                 |            |          |
| 22            | 22-23-2220      | A-6373-22AF197  |        |                 |            |          |
| 23            | 22-23-2230      | A-6373-23AF197  |        |                 |            |          |
| 24            | 22-23-2240      | A-6373-24AF197  |        |                 |            |          |
| 25            | 22-23-2250      | A-6373-25AF197  |        |                 |            |          |
| 26            | 22-23-2260      | A-6373-26AF197  |        |                 |            |          |
| 27            | 22-23-2270      | A-6373-27AF197  |        |                 |            |          |
| 28            | 22-23-2280      | A-6373-28AF197  |        |                 |            |          |

| GROUP:        |                 | A-6373-NAG197-* |        |                 |            |          |
|---------------|-----------------|-----------------|--------|-----------------|------------|----------|
| PIN NUMBER:   |                 | 42663-0182      |        |                 |            |          |
| PIN LENGTH: L |                 | .500 / (12.70)  |        |                 |            |          |
| MATING:       | M               | .301 / (7.65)   | DIM. G | N/A             |            |          |
| PC TAIL:      | P               | .074 / (1.88)   | DIM T  | OVERALL         |            |          |
| PACKAGING:    |                 | PK-6373-001     |        |                 |            |          |
| CKTS          | MATERIAL NUMBER | ENG NUMBER      | CKTS   | MATERIAL NUMBER | ENG NUMBER | VOID CKT |
| 2             | 22-23-2022      | A-6373-02AG197  |        |                 |            |          |
| 3             | 22-23-2032      | A-6373-03AG197  |        |                 |            |          |
| 4             | 22-23-2042      | A-6373-04AG197  |        |                 |            |          |
| 5             | 22-23-2052      | A-6373-05AG197  |        |                 |            |          |
| 6             | 22-23-2062      | A-6373-06AG197  |        |                 |            |          |
| 7             | 22-23-2072      | A-6373-07AG197  |        |                 |            |          |
| 8             | 22-23-2082      | A-6373-08AG197  |        |                 |            |          |
| 9             | 22-23-2092      | A-6373-09AG197  |        |                 |            |          |
| 10            | 22-23-2102      | A-6373-10AG197  |        |                 |            |          |
| 11            | 22-23-2112      | A-6373-11AG197  |        |                 |            |          |
| 12            | 22-23-2122      | A-6373-12AG197  |        |                 |            |          |
| 13            | 22-23-2132      | A-6373-13AG197  |        |                 |            |          |
| 14            | 22-23-2142      | A-6373-14AG197  |        |                 |            |          |
| 15            | 22-23-2152      | A-6373-15AG197  |        |                 |            |          |
| 16            | 22-23-2162      | A-6373-16AG197  |        |                 |            |          |
| 17            | 22-23-2172      | A-6373-17AG197  |        |                 |            |          |
| 18            | 22-23-2182      | A-6373-18AG197  |        |                 |            |          |
| 19            | 22-23-2192      | A-6373-19AG197  |        |                 |            |          |
| 20            | 22-23-2202      | A-6373-20AG197  |        |                 |            |          |
| 21            | 22-23-2212      | A-6373-21AG197  |        |                 |            |          |
| 22            | 22-23-2222      | A-6373-22AG197  |        |                 |            |          |
| 23            | 22-23-2232      | A-6373-23AG197  |        |                 |            |          |
| 24            | 22-23-2242      | A-6373-24AG197  |        |                 |            |          |
| 25            | 22-23-2252      | A-6373-25AG197  |        |                 |            |          |
| 26            | 22-23-2262      | A-6373-26AG197  |        |                 |            |          |
| 27            | 22-23-2272      | A-6373-27AG197  |        |                 |            |          |
| 28            | 22-23-2282      | A-6373-28AG197  |        |                 |            |          |

|                         |                             |  |                    |
|-------------------------|-----------------------------|--|--------------------|
| REV:                    | <u>ECR/ECN INFORMATION:</u> | <u>TITLE:</u>  | <u>SHEET No.</u>   |
| <b>BD3</b>              | EC No.: <b>UCP2014-3169</b> | <b>KK 100 HEADER ASSEMBLY<br/>FRICTION LOCK SOLID BODY</b> | <b>- 10 -</b>      |
|                         | DATE: <b>8/7/2014</b>       |  |                    |
| <u>DOCUMENT NUMBER:</u> |                             | <u>CREATED / REVISED BY:</u>                               | <u>CHECKED BY:</u> |
| <b>SD - 6373 - 001</b>  |                             | <b>MKIPPER</b>   | <b>NNGUYEN</b>     |
|                         |                             | <u>APPROVED BY:</u>  |                    |
|                         |                             | <b>FSMITH</b>  |                    |

| GROUP:        |                 | A-6373-NAH197-* |        |                 |            |          |
|---------------|-----------------|-----------------|--------|-----------------|------------|----------|
| PIN NUMBER:   |                 | 42663-0302      |        |                 |            |          |
| PIN LENGTH: L |                 | .560 / (14.22)  |        |                 |            |          |
| MATING: M     |                 | .260 / (6.60)   | DIM. G |                 | N/A        |          |
| PC TAIL: P    |                 | .175 / (4.45)   | DIM T  |                 | OVERALL    |          |
| PACKAGING:    |                 | PK-6373-001     |        |                 |            |          |
| CKTS          | MATERIAL NUMBER | ENG NUMBER      | CKTS   | MATERIAL NUMBER | ENG NUMBER | VOID CKT |
| 2             | 22-23-3020      | A-6373-02AH197  |        |                 |            |          |
| 3             | 22-23-3030      | A-6373-03AH197  |        |                 |            |          |
| 4             | 22-23-3040      | A-6373-04AH197  |        |                 |            |          |
| 5             | 22-23-3050      | A-6373-05AH197  |        |                 |            |          |
| 6             | 22-23-3060      | A-6373-06AH197  |        |                 |            |          |
| 7             | 22-23-3070      | A-6373-07AH197  |        |                 |            |          |
| 8             | 22-23-3080      | A-6373-08AH197  |        |                 |            |          |
| 9             | 22-23-3090      | A-6373-09AH197  |        |                 |            |          |
| 10            | 22-23-3100      | A-6373-10AH197  |        |                 |            |          |
| 11            | 22-23-3110      | A-6373-11AH197  |        |                 |            |          |
| 12            | 22-23-3120      | A-6373-12AH197  |        |                 |            |          |
| 13            | 22-23-3130      | A-6373-13AH197  |        |                 |            |          |
| 14            | 22-23-3140      | A-6373-14AH197  |        |                 |            |          |
| 15            | 22-23-3150      | A-6373-15AH197  |        |                 |            |          |
| 16            | 22-23-3160      | A-6373-16AH197  |        |                 |            |          |
| 17            | 22-23-3170      | A-6373-17AH197  |        |                 |            |          |
| 18            | 22-23-3180      | A-6373-18AH197  |        |                 |            |          |
| 19            | 22-23-3190      | A-6373-19AH197  |        |                 |            |          |
| 20            | 22-23-3200      | A-6373-20AH197  |        |                 |            |          |
| 21            | 22-23-3210      | A-6373-21AH197  |        |                 |            |          |
| 22            | 22-23-3220      | A-6373-22AH197  |        |                 |            |          |
| 23            | 22-23-3230      | A-6373-23AH197  |        |                 |            |          |
| 24            | 22-23-3240      | A-6373-24AH197  |        |                 |            |          |
| 25            | 22-23-3250      | A-6373-25AH197  |        |                 |            |          |
| 26            | 22-23-3260      | A-6373-26AH197  |        |                 |            |          |
| 27            | 22-23-3270      | A-6373-27AH197  |        |                 |            |          |
| 28            | 22-23-3280      | A-6373-28AH197  |        |                 |            |          |

| GROUP:        |                 | A-6373-NAJ197-* |        |                 |                  |          |
|---------------|-----------------|-----------------|--------|-----------------|------------------|----------|
| PIN NUMBER:   |                 | 42663-0342      |        |                 |                  |          |
| PIN LENGTH: L |                 | .580 / (14.73)  |        |                 |                  |          |
| MATING: M     |                 | .300 / (7.62)   | DIM. G |                 | N/A              |          |
| PC TAIL: P    |                 | .155 / (3.94)   | DIM T  |                 | OVERALL          |          |
| PACKAGING:    |                 | PK-6373-001     |        |                 |                  |          |
| CKTS          | MATERIAL NUMBER | ENG NUMBER      | CKTS   | MATERIAL NUMBER | ENG NUMBER       | VOID CKT |
| 2             | 22-23-3023      | A-6373-02AJ197  | 05     | 22-04-6052      | A-6373-05AJ197-1 | 1        |
| 3             | 22-23-3033      | A-6373-03AJ197  | 06     | 22-04-6062      | A-6373-06AJ197-2 | 2        |
| 4             | 22-23-3043      | A-6373-04AJ197  |        |                 |                  |          |
| 5             | 22-23-3053      | A-6373-05AJ197  |        |                 |                  |          |
| 6             | 22-23-3063      | A-6373-06AJ197  |        |                 |                  |          |
| 7             |                 | A-6373-07AJ197  |        |                 |                  |          |
| 8             | 22-23-3083      | A-6373-08AJ197  |        |                 |                  |          |
| 9             | 22-23-3093      | A-6373-09AJ197  |        |                 |                  |          |
| 10            | 22-23-3103      | A-6373-10AJ197  |        |                 |                  |          |
| 11            |                 | A-6373-11AJ197  |        |                 |                  |          |
| 12            |                 | A-6373-12AJ197  |        |                 |                  |          |
| 13            |                 | A-6373-13AJ197  |        |                 |                  |          |
| 14            |                 | A-6373-14AJ197  |        |                 |                  |          |
| 15            | 22-23-3153      | A-6373-15AJ197  |        |                 |                  |          |
| 16            | 22-23-3163      | A-6373-16AJ197  |        |                 |                  |          |
| 17            |                 | A-6373-17AJ197  |        |                 |                  |          |
| 18            |                 | A-6373-18AJ197  |        |                 |                  |          |
| 19            |                 | A-6373-19AJ197  |        |                 |                  |          |
| 20            | 22-23-3203      | A-6373-20AJ197  |        |                 |                  |          |
| 21            |                 | A-6373-21AJ197  |        |                 |                  |          |
| 22            |                 | A-6373-22AJ197  |        |                 |                  |          |
| 23            |                 | A-6373-23AJ197  |        |                 |                  |          |
| 24            |                 | A-6373-24AJ197  |        |                 |                  |          |
| 25            |                 | A-6373-25AJ197  |        |                 |                  |          |
| 26            |                 | A-6373-26AJ197  |        |                 |                  |          |
| 27            |                 | A-6373-27AJ197  |        |                 |                  |          |
| 28            |                 | A-6373-28AJ197  |        |                 |                  |          |

|  |      |                             |   |  |                               |
|--|------|-----------------------------|---|--|-------------------------------|
| <b>BD3</b>                                 | REV: | ECR/ECN INFORMATION:        | TITLE:                                  | <b>KK 100 HEADER ASSEMBLY<br/>FRICTION LOCK SOLID BODY</b> | SHEET No.                     |
|  |      | EC No.: <b>UCP2014-3169</b> |   |  | <b>- 11 -</b>                 |
|  |      | DATE: <b>8/7/2014</b>       |   |  |                               |
| DOCUMENT NUMBER:<br><b>SD - 6373 - 001</b> |      |                             | CREATED / REVISED BY:<br><b>MKIPPER</b> | CHECKED BY:<br><b>NNGUYEN</b>                              | APPROVED BY:<br><b>FSMITH</b> |

| GROUP:        |                 | A-6373-NA241A-* |        |                 |               |          |
|---------------|-----------------|-----------------|--------|-----------------|---------------|----------|
| PIN NUMBER:   |                 | 42663-0305      |        |                 |               |          |
| PIN LENGTH: L |                 | .560 / (14.22)  |        |                 |               |          |
| MATING: M     |                 | .295 / (7.49)   | DIM. G |                 | .140 / (3.56) |          |
| PC TAIL: P    |                 | .140 / (3.56)   | DIM T  |                 | .135 / (3.43) |          |
| PACKAGING:    |                 | PK-44743-001    |        |                 |               |          |
| CKTS          | MATERIAL NUMBER | ENG NUMBER      | CKTS   | MATERIAL NUMBER | ENG NUMBER    | VOID CKT |
| 2             |                 |                 |        |                 |               |          |
| 3             | 22-23-1035      | A-6373-03A241A  |        |                 |               |          |
| 4             | 22-23-1045      | A-6373-04A241A  |        |                 |               |          |
| 5             | 22-23-1055      | A-6373-05A241A  |        |                 |               |          |
| 6             | 22-23-1065      | A-6373-06A241A  |        |                 |               |          |
| 7             | 22-23-1075      | A-6373-07A241A  |        |                 |               |          |
| 8             | 22-23-1085      | A-6373-08A241A  |        |                 |               |          |
| 9             | 22-23-1095      | A-6373-09A241A  |        |                 |               |          |
| 10            | 22-23-1105      | A-6373-10A241A  |        |                 |               |          |
| 11            | 22-23-1115      | A-6373-11A241A  |        |                 |               |          |
| 12            | 22-23-1125      | A-6373-12A241A  |        |                 |               |          |
| 13            | 22-23-1135      | A-6373-13A241A  |        |                 |               |          |
| 14            | 22-23-1145      | A-6373-14A241A  |        |                 |               |          |
| 15            | 22-23-1155      | A-6373-15A241A  |        |                 |               |          |
| 16            | 22-23-1165      | A-6373-16A241A  |        |                 |               |          |
| 17            | 22-23-1175      | A-6373-17A241A  |        |                 |               |          |
| 18            | 22-23-1185      | A-6373-18A241A  |        |                 |               |          |
| 19            | 22-23-1195      | A-6373-19A241A  |        |                 |               |          |
| 20            | 22-23-1205      | A-6373-20A241A  |        |                 |               |          |
| 21            | 22-23-1211      | A-6373-21A241A  |        |                 |               |          |
| 22            | 22-23-1222      | A-6373-22A241A  |        |                 |               |          |
| 23            | 22-23-1233      | A-6373-23A241A  |        |                 |               |          |
| 24            | 22-23-1244      | A-6373-24A241A  |        |                 |               |          |
| 25            | 22-23-1255      | A-6373-25A241A  |        |                 |               |          |
| 26            | 22-23-1266      | A-6373-26A241A  |        |                 |               |          |
| 27            | 22-23-1277      | A-6373-27A241A  |        |                 |               |          |
| 28            | 22-23-1288      | A-6373-28A241A  |        |                 |               |          |

| GROUP:        |                 | A-6373-NAL197-* |        |                 |                  |          |
|---------------|-----------------|-----------------|--------|-----------------|------------------|----------|
| PIN NUMBER:   |                 | 42663-1182      |        |                 |                  |          |
| PIN LENGTH: L |                 | 1.000 / (25.40) |        |                 |                  |          |
| MATING: M     |                 | .295 / (7.49)   | DIM. G |                 | N/A              |          |
| PC TAIL: P    |                 | .580 / (14.73)  | DIM T  |                 | OVERALL          |          |
| PACKAGING:    |                 | PK-6373-001     |        |                 |                  |          |
| CKTS          | MATERIAL NUMBER | ENG NUMBER      | CKTS   | MATERIAL NUMBER | ENG NUMBER       | VOID CKT |
| 2             |                 |                 | 06     | 22-04-6066      | A-6373-06AL197-2 | 2        |
| 3             | 22-23-6032      | A-6373-03AL197  | 06     | 22-04-6067      | A-6373-06AL197-3 | 3        |
| 4             | 22-23-6042      | A-6373-04AL197  |        |                 |                  |          |
| 5             | 22-23-6052      | A-6373-05AL197  |        |                 |                  |          |
| 6             | 22-23-6062      | A-6373-06AL197  |        |                 |                  |          |
| 7             | 22-23-6072      | A-6373-07AL197  |        |                 |                  |          |
| 8             | 22-23-6082      | A-6373-08AL197  |        |                 |                  |          |
| 9             | 22-23-6092      | A-6373-09AL197  |        |                 |                  |          |
| 10            | 22-23-6102      | A-6373-10AL197  |        |                 |                  |          |
| 11            | 22-23-6112      | A-6373-11AL197  |        |                 |                  |          |
| 12            | 22-23-6122      | A-6373-12AL197  |        |                 |                  |          |
| 13            | 22-23-6132      | A-6373-13AL197  |        |                 |                  |          |
| 14            | 22-23-6142      | A-6373-14AL197  |        |                 |                  |          |
| 15            | 22-23-6152      | A-6373-15AL197  |        |                 |                  |          |
| 16            | 22-23-6162      | A-6373-16AL197  |        |                 |                  |          |
| 17            | 22-23-6172      | A-6373-17AL197  |        |                 |                  |          |
| 18            | 22-23-6182      | A-6373-18AL197  |        |                 |                  |          |
| 19            | 22-23-6192      | A-6373-19AL197  |        |                 |                  |          |
| 20            | 22-23-6202      | A-6373-20AL197  |        |                 |                  |          |
| 21            | 22-23-6212      | A-6373-21AL197  |        |                 |                  |          |
| 22            | 22-23-6222      | A-6373-22AL197  |        |                 |                  |          |
| 23            | 22-23-6232      | A-6373-23AL197  |        |                 |                  |          |
| 24            | 22-23-6242      | A-6373-24AL197  |        |                 |                  |          |
| 25            | 22-23-6252      | A-6373-25AL197  |        |                 |                  |          |
| 26            | 22-23-6262      | A-6373-26AL197  |        |                 |                  |          |
| 27            | 22-23-6272      | A-6373-27AL197  |        |                 |                  |          |
| 28            | 22-23-6282      | A-6373-28AL197  |        |                 |                  |          |

|                        |                             |  |                |               |
|------------------------|-----------------------------|--|----------------|---------------|
| REV:                   | ECR/ECN INFORMATION:        | TITLE:   | SHEET No.      |               |
| <b>BD3</b>             | EC No.: <b>UCP2014-3169</b> | <b>KK 100 HEADER ASSEMBLY<br/>FRICTION LOCK SOLID BODY</b> | <b>- 12 -</b>  |               |
|                        | DATE: <b>8/7/2014</b>       |  |                |               |
| DOCUMENT NUMBER:       |                             | CREATED / REVISED BY:                                      | CHECKED BY:    | APPROVED BY:  |
| <b>SD - 6373 - 001</b> |                             | <b>MKIPPER</b>   | <b>NNGUYEN</b> | <b>FSMITH</b> |

| GROUP:        |                 | A-6373-NAM197-* |        |                 |            |          |
|---------------|-----------------|-----------------|--------|-----------------|------------|----------|
| PIN NUMBER:   |                 | 42663-0222      |        |                 |            |          |
| PIN LENGTH: L |                 | .520 / (13.21)  |        |                 |            |          |
| MATING: M     |                 | .305 / (7.75)   | DIM. G |                 | N/A        |          |
| PC TAIL: P    |                 | .090 / (2.29)   | DIM T  |                 | OVERALL    |          |
| PACKAGING:    |                 | PK-6373-001     |        |                 |            |          |
| CKTS          | MATERIAL NUMBER | ENG NUMBER      | CKTS   | MATERIAL NUMBER | ENG NUMBER | VOID CKT |
| 2             | 22-23-6023      | A-6373-02AM197  |        |                 |            |          |
| 3             | 22-23-6033      | A-6373-03AM197  |        |                 |            |          |
| 4             | 22-23-6043      | A-6373-04AM197  |        |                 |            |          |
| 5             | 22-23-6053      | A-6373-05AM197  |        |                 |            |          |
| 6             | 22-23-6063      | A-6373-06AM197  |        |                 |            |          |
| 7             | 22-23-6073      | A-6373-07AM197  |        |                 |            |          |
| 8             | 22-23-6083      | A-6373-08AM197  |        |                 |            |          |
| 9             | 22-23-6093      | A-6373-09AM197  |        |                 |            |          |
| 10            | 22-23-6103      | A-6373-10AM197  |        |                 |            |          |
| 11            | 22-23-6113      | A-6373-11AM197  |        |                 |            |          |
| 12            | 22-23-6123      | A-6373-12AM197  |        |                 |            |          |
| 13            | 22-23-6133      | A-6373-13AM197  |        |                 |            |          |
| 14            | 22-23-6143      | A-6373-14AM197  |        |                 |            |          |
| 15            | 22-23-6153      | A-6373-15AM197  |        |                 |            |          |
| 16            | 22-23-6163      | A-6373-16AM197  |        |                 |            |          |
| 17            | 22-23-6173      | A-6373-17AM197  |        |                 |            |          |
| 18            | 22-23-6183      | A-6373-18AM197  |        |                 |            |          |
| 19            | 22-23-6193      | A-6373-19AM197  |        |                 |            |          |
| 20            | 22-23-6203      | A-6373-20AM197  |        |                 |            |          |
| 21            | 22-23-6213      | A-6373-21AM197  |        |                 |            |          |
| 22            | 22-23-6223      | A-6373-22AM197  |        |                 |            |          |
| 23            | 22-23-6233      | A-6373-23AM197  |        |                 |            |          |
| 24            | 22-23-6243      | A-6373-24AM197  |        |                 |            |          |
| 25            | 22-23-6253      | A-6373-25AM197  |        |                 |            |          |
| 26            | 22-23-6263      | A-6373-26AM197  |        |                 |            |          |
| 27            | 22-23-6273      | A-6373-27AM197  |        |                 |            |          |
| 28            | 22-23-6283      | A-6373-28AM197  |        |                 |            |          |

| GROUP:        |                 | A-6373-NAM241-* |        |                 |               |          |
|---------------|-----------------|-----------------|--------|-----------------|---------------|----------|
| PIN NUMBER:   |                 | 42663-0223      |        |                 |               |          |
| PIN LENGTH: L |                 | .520 / (13.21)  |        |                 |               |          |
| MATING: M     |                 | .305 / (7.75)   | DIM. G |                 | .140 / (3.56) |          |
| PC TAIL: P    |                 | .090 / (2.29)   | DIM T  |                 | .135 / (3.43) |          |
| PACKAGING:    |                 | PK-6373-001     |        |                 |               |          |
| CKTS          | MATERIAL NUMBER | ENG NUMBER      | CKTS   | MATERIAL NUMBER | ENG NUMBER    | VOID CKT |
| 2             | 22-23-6025      | A-6373-02AM241  |        |                 |               |          |
| 3             | 22-23-6035      | A-6373-03AM241  |        |                 |               |          |
| 4             | 22-23-6045      | A-6373-04AM241  |        |                 |               |          |
| 5             | 22-23-6055      | A-6373-05AM241  |        |                 |               |          |
| 6             | 22-23-6065      | A-6373-06AM241  |        |                 |               |          |
| 7             | 22-23-6075      | A-6373-07AM241  |        |                 |               |          |
| 8             | 22-23-6085      | A-6373-08AM241  |        |                 |               |          |
| 9             | 22-23-6095      | A-6373-09AM241  |        |                 |               |          |
| 10            | 22-23-6105      | A-6373-10AM241  |        |                 |               |          |
| 11            | 22-23-6115      | A-6373-11AM241  |        |                 |               |          |
| 12            | 22-23-6125      | A-6373-12AM241  |        |                 |               |          |
| 13            | 22-23-6135      | A-6373-13AM241  |        |                 |               |          |
| 14            | 22-23-6145      | A-6373-14AM241  |        |                 |               |          |
| 15            | 22-23-6155      | A-6373-15AM241  |        |                 |               |          |
| 16            | 22-23-6165      | A-6373-16AM241  |        |                 |               |          |
| 17            | 22-23-6175      | A-6373-17AM241  |        |                 |               |          |
| 18            | 22-23-6185      | A-6373-18AM241  |        |                 |               |          |
| 19            | 22-23-6195      | A-6373-19AM241  |        |                 |               |          |
| 20            | 22-23-6205      | A-6373-20AM241  |        |                 |               |          |
| 21            | 22-23-6215      | A-6373-21AM241  |        |                 |               |          |
| 22            | 22-23-6225      | A-6373-22AM241  |        |                 |               |          |
| 23            | 22-23-6235      | A-6373-23AM241  |        |                 |               |          |
| 24            | 22-23-6245      | A-6373-24AM241  |        |                 |               |          |
| 25            | 22-23-6255      | A-6373-25AM241  |        |                 |               |          |
| 26            | 22-23-6265      | A-6373-26AM241  |        |                 |               |          |
| 27            | 22-23-6275      | A-6373-27AM241  |        |                 |               |          |
| 28            | 22-23-6285      | A-6373-28AM241  |        |                 |               |          |

|  |      |                             |   |  |                               |
|--|------|-----------------------------|---|--|-------------------------------|
| <b>BD3</b>                                 | REV: | ECR/ECN INFORMATION:        | TITLE:                                  | <b>KK 100 HEADER ASSEMBLY<br/>FRICTION LOCK SOLID BODY</b> | SHEET No.                     |
|  |      | EC No.: <b>UCP2014-3169</b> |   |  | <b>- 13 -</b>                 |
|  |      | DATE: <b>8/7/2014</b>       |   |  |                               |
| DOCUMENT NUMBER:<br><b>SD - 6373 - 001</b> |      |                             | CREATED / REVISED BY:<br><b>MKIPPER</b> | CHECKED BY:<br><b>NNGUYEN</b>                              | APPROVED BY:<br><b>FSMITH</b> |

|               |                 |                 |      |                 |            |          |
|---------------|-----------------|-----------------|------|-----------------|------------|----------|
| GROUP:        |                 | A-6373-NAN241-* |      |                 |            |          |
| PIN NUMBER:   |                 | 42663-0443      |      |                 |            |          |
| PIN LENGTH: L |                 | .630 / (16.00)  |      |                 |            |          |
| MATING: M     | .300 / (7.62)   | DIM. G          |      | .140 / (3.56)   |            |          |
| PC TAIL: P    | .205 / (5.21)   | DIM T           |      | .135 / (3.43)   |            |          |
| PACKAGING:    |                 | PK-6373-001     |      |                 |            |          |
| CKTS          | MATERIAL NUMBER | ENG NUMBER      | CKTS | MATERIAL NUMBER | ENG NUMBER | VOID CKT |
| 2             |                 | A-6373-02AN241  |      |                 |            |          |
| 3             |                 | A-6373-03AN241  |      |                 |            |          |
| 4             | 22-23-6047      | A-6373-04AN241  |      |                 |            |          |
| 5             |                 | A-6373-05AN241  |      |                 |            |          |
| 6             |                 | A-6373-06AN241  |      |                 |            |          |
| 7             |                 | A-6373-07AN241  |      |                 |            |          |
| 8             |                 | A-6373-08AN241  |      |                 |            |          |
| 9             |                 | A-6373-09AN241  |      |                 |            |          |
| 10            |                 | A-6373-10AN241  |      |                 |            |          |
| 11            |                 | A-6373-11AN241  |      |                 |            |          |
| 12            |                 | A-6373-12AN241  |      |                 |            |          |
| 13            |                 | A-6373-13AN241  |      |                 |            |          |
| 14            |                 | A-6373-14AN241  |      |                 |            |          |
| 15            |                 | A-6373-15AN241  |      |                 |            |          |
| 16            |                 | A-6373-16AN241  |      |                 |            |          |
| 17            |                 | A-6373-17AN241  |      |                 |            |          |
| 18            |                 | A-6373-18AN241  |      |                 |            |          |
| 19            |                 | A-6373-19AN241  |      |                 |            |          |
| 20            |                 | A-6373-20AN241  |      |                 |            |          |
| 21            |                 | A-6373-21AN241  |      |                 |            |          |
| 22            |                 | A-6373-22AN241  |      |                 |            |          |
| 23            |                 | A-6373-23AN241  |      |                 |            |          |
| 24            |                 | A-6373-24AN241  |      |                 |            |          |
| 25            |                 | A-6373-25AN241  |      |                 |            |          |
| 26            |                 | A-6373-26AN241  |      |                 |            |          |
| 27            |                 | A-6373-27AN241  |      |                 |            |          |
| 28            |                 | A-6373-28AN241  |      |                 |            |          |

|               |                 |                 |      |                 |            |          |
|---------------|-----------------|-----------------|------|-----------------|------------|----------|
| GROUP:        |                 | A-6373-NAB241-* |      |                 |            |          |
| PIN NUMBER:   |                 | 42663-0583      |      |                 |            |          |
| PIN LENGTH: L |                 | .700 / (17.78)  |      |                 |            |          |
| MATING: M     | .286 / (7.26)   | DIM. G          |      | .200 / (5.08)   |            |          |
| PC TAIL: P    | .289 / (7.34)   | DIM T           |      | .135 / (3.43)   |            |          |
| PACKAGING:    |                 | PK-6373-001     |      |                 |            |          |
| CKTS          | MATERIAL NUMBER | ENG NUMBER      | CKTS | MATERIAL NUMBER | ENG NUMBER | VOID CKT |
| 2             | 50-29-1746      | A-6373-02AB241  |      |                 |            |          |
| 3             |                 | A-6373-03AB241  |      |                 |            |          |
| 4             |                 | A-6373-04AB241  |      |                 |            |          |
| 5             |                 | A-6373-05AB241  |      |                 |            |          |
| 6             |                 | A-6373-06AB241  |      |                 |            |          |
| 7             |                 | A-6373-07AB241  |      |                 |            |          |
| 8             | 50-29-1741      | A-6373-08AB241  |      |                 |            |          |
| 9             |                 | A-6373-09AB241  |      |                 |            |          |
| 10            | 50-29-1742      | A-6373-10AB241  |      |                 |            |          |
| 11            |                 | A-6373-11AB241  |      |                 |            |          |
| 12            |                 | A-6373-12AB241  |      |                 |            |          |
| 13            |                 | A-6373-13AB241  |      |                 |            |          |
| 14            |                 | A-6373-14AB241  |      |                 |            |          |
| 15            |                 | A-6373-15AB241  |      |                 |            |          |
| 16            |                 | A-6373-16AB241  |      |                 |            |          |
| 17            |                 | A-6373-17AB241  |      |                 |            |          |
| 18            |                 | A-6373-18AB241  |      |                 |            |          |
| 19            |                 | A-6373-19AB241  |      |                 |            |          |
| 20            |                 | A-6373-20AB241  |      |                 |            |          |
| 21            |                 | A-6373-21AB241  |      |                 |            |          |
| 22            |                 | A-6373-22AB241  |      |                 |            |          |
| 23            |                 | A-6373-23AB241  |      |                 |            |          |
| 24            |                 | A-6373-24AB241  |      |                 |            |          |
| 25            |                 | A-6373-25AB241  |      |                 |            |          |
| 26            |                 | A-6373-26AB241  |      |                 |            |          |
| 27            |                 | A-6373-27AB241  |      |                 |            |          |
| 28            |                 | A-6373-28AB241  |      |                 |            |          |

|   |                             |  |   |                                      |
|---|-----------------------------|--|---|--------------------------------------|
| REV:<br><b>BD3</b>                                | <u>ECR/ECN INFORMATION:</u> |  | <u>TITLE:</u><br><b>KK 100 HEADER ASSEMBLY<br/>FRICTION LOCK SOLID BODY</b> | <u>SHEET No.</u><br><b>- 14 -</b>    |
|   | EC No.: <b>UCP2014-3169</b> |  |   |                                      |
|   | DATE: <b>8/7/2014</b>       |  |   |                                      |
| <u>DOCUMENT NUMBER:</u><br><b>SD - 6373 - 001</b> |                             | <u>CREATED / REVISED BY:</u><br><b>MKIPPER</b> | <u>CHECKED BY:</u><br><b>NNGUYEN</b>  | <u>APPROVED BY:</u><br><b>FSMITH</b> |

| GROUP:        |                 | A-6373-NAN197-* |        |                 |                  |          |
|---------------|-----------------|-----------------|--------|-----------------|------------------|----------|
| PIN NUMBER:   |                 | 42663-0442      |        |                 |                  |          |
| PIN LENGTH: L |                 | .630 / (16.00)  |        |                 |                  |          |
| MATING: M     |                 | .300 / (7.62)   | DIM. G |                 | N/A              |          |
| PC TAIL: P    |                 | .205 / (5.21)   | DIM T  |                 | OVERALL          |          |
| PACKAGING:    |                 | PK-6373-001     |        |                 |                  |          |
| CKTS          | MATERIAL NUMBER | ENG NUMBER      | CKTS   | MATERIAL NUMBER | ENG NUMBER       | VOID CKT |
| 2             |                 |                 | 9      | 50-34-8527      | A-6373-09AN197-7 | 7        |
| 3             |                 |                 |        |                 |                  |          |
| 4             | 50-36-1696      | A-6373-04AN197  |        |                 |                  |          |
| 5             |                 |                 |        |                 |                  |          |
| 6             |                 |                 |        |                 |                  |          |
| 7             |                 |                 |        |                 |                  |          |
| 8             |                 |                 |        |                 |                  |          |
| 9             |                 |                 |        |                 |                  |          |
| 10            |                 |                 |        |                 |                  |          |
| 11            |                 |                 |        |                 |                  |          |
| 12            |                 |                 |        |                 |                  |          |
| 13            |                 |                 |        |                 |                  |          |
| 14            |                 |                 |        |                 |                  |          |
| 15            |                 |                 |        |                 |                  |          |
| 16            |                 |                 |        |                 |                  |          |
| 17            |                 |                 |        |                 |                  |          |
| 18            |                 |                 |        |                 |                  |          |
| 19            |                 |                 |        |                 |                  |          |
| 20            |                 |                 |        |                 |                  |          |
| 21            |                 |                 |        |                 |                  |          |
| 22            |                 |                 |        |                 |                  |          |
| 23            |                 |                 |        |                 |                  |          |
| 24            |                 |                 |        |                 |                  |          |
| 25            |                 |                 |        |                 |                  |          |
| 26            |                 |                 |        |                 |                  |          |
| 27            |                 |                 |        |                 |                  |          |
| 28            |                 |                 |        |                 |                  |          |

| GROUP:        |                 | A-6373-NA154-*   |        |                 |                 |          |
|---------------|-----------------|------------------|--------|-----------------|-----------------|----------|
| PIN NUMBER:   |                 | 42663-0309       |        |                 |                 |          |
| PIN LENGTH: L |                 | .560 / (14.22)   |        |                 |                 |          |
| MATING: M     |                 | .295 / (7.49)    | DIM. G |                 | N/A             |          |
| PC TAIL: P    |                 | .140 / (3.56)    | DIM T  |                 | OVERALL         |          |
| PACKAGING:    |                 | PK-6373-001 BULK |        |                 |                 |          |
| CKTS          | MATERIAL NUMBER | ENG NUMBER       | CKTS   | MATERIAL NUMBER | ENG NUMBER      | VOID CKT |
| 2             |                 |                  | 9      | 26-01-3183      | A-6373-09A154-7 | 7        |
| 3             |                 |                  |        |                 |                 |          |
| 4             |                 |                  |        |                 |                 |          |
| 5             |                 |                  |        |                 |                 |          |
| 6             |                 |                  |        |                 |                 |          |
| 7             |                 |                  |        |                 |                 |          |
| 8             |                 |                  |        |                 |                 |          |
| 9             |                 |                  |        |                 |                 |          |
| 10            |                 |                  |        |                 |                 |          |
| 11            |                 |                  |        |                 |                 |          |
| 12            |                 |                  |        |                 |                 |          |
| 13            |                 |                  |        |                 |                 |          |
| 14            |                 |                  |        |                 |                 |          |
| 15            |                 |                  |        |                 |                 |          |
| 16            |                 |                  |        |                 |                 |          |
| 17            |                 |                  |        |                 |                 |          |
| 18            |                 |                  |        |                 |                 |          |
| 19            |                 |                  |        |                 |                 |          |
| 20            |                 |                  |        |                 |                 |          |
| 21            |                 |                  |        |                 |                 |          |
| 22            |                 |                  |        |                 |                 |          |
| 23            |                 |                  |        |                 |                 |          |
| 24            |                 |                  |        |                 |                 |          |
| 25            |                 |                  |        |                 |                 |          |
| 26            |                 |                  |        |                 |                 |          |
| 27            |                 |                  |        |                 |                 |          |
| 28            |                 |                  |        |                 |                 |          |

|   |                             |  |   |                                       |
|---|-----------------------------|--|---|---------------------------------------|
| <b>REV:</b><br><br><b>BD3</b>                     | <u>ECR/ECN INFORMATION:</u> |  | <u>TITLE:</u><br><br><b>KK 100 HEADER ASSEMBLY<br/>FRICTION LOCK SOLID BODY</b> | <u>SHEET No.</u><br><br><b>- 15 -</b> |
|   | <u>EC No.:</u>              | <b>UCP2014-3169</b>                            |   |                                       |
|   | <u>DATE:</u>                | <b>8/7/2014</b>                                |   |                                       |
| <u>DOCUMENT NUMBER:</u><br><b>SD - 6373 - 001</b> |                             | <u>CREATED / REVISED BY:</u><br><b>MKIPPER</b> | <u>CHECKED BY:</u><br><b>NNGUYEN</b>  | <u>APPROVED BY:</u><br><b>FSMITH</b>  |